

THESE DOCUMENTS ARE CONFIDENTIAL AND ARE THE SOLE PROPERTY OF T-MOBILE AND MAY NOT BE REPRODUCED, DISSEMINATED OR REDISTRIBUTED WITHOUT THE EXPRESS WRITTEN CONSENT OF T-MOBILE.

CHECKED BY: JMT

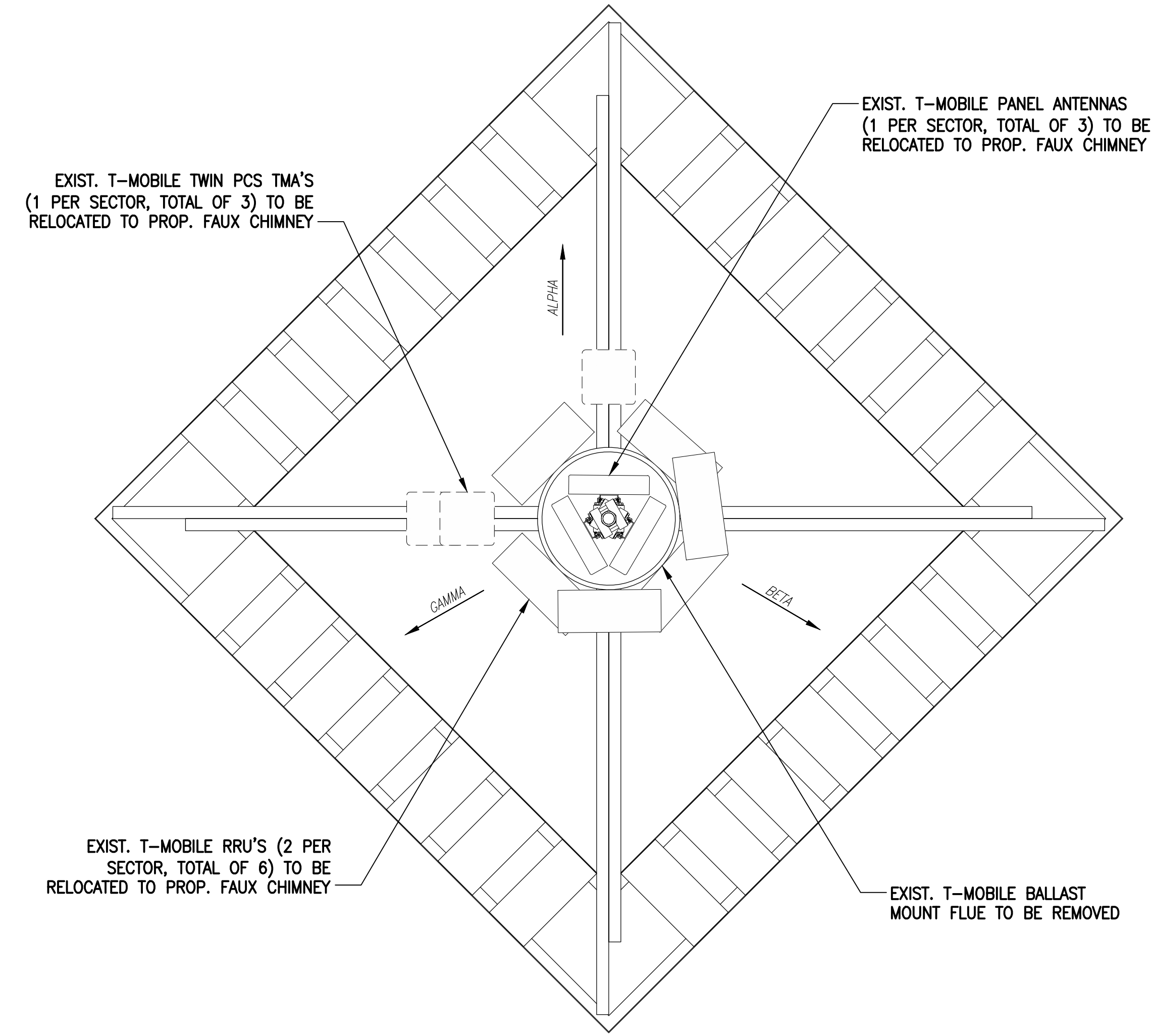
APPROVED BY: JMT

SUBMITTALS			
REV.	DATE	DESCRIPTION	BY
1	03/24/16	ISSUED FOR CONSTRUCTION	CMC
0	01/28/16	ISSUED FOR REVIEW	NWC

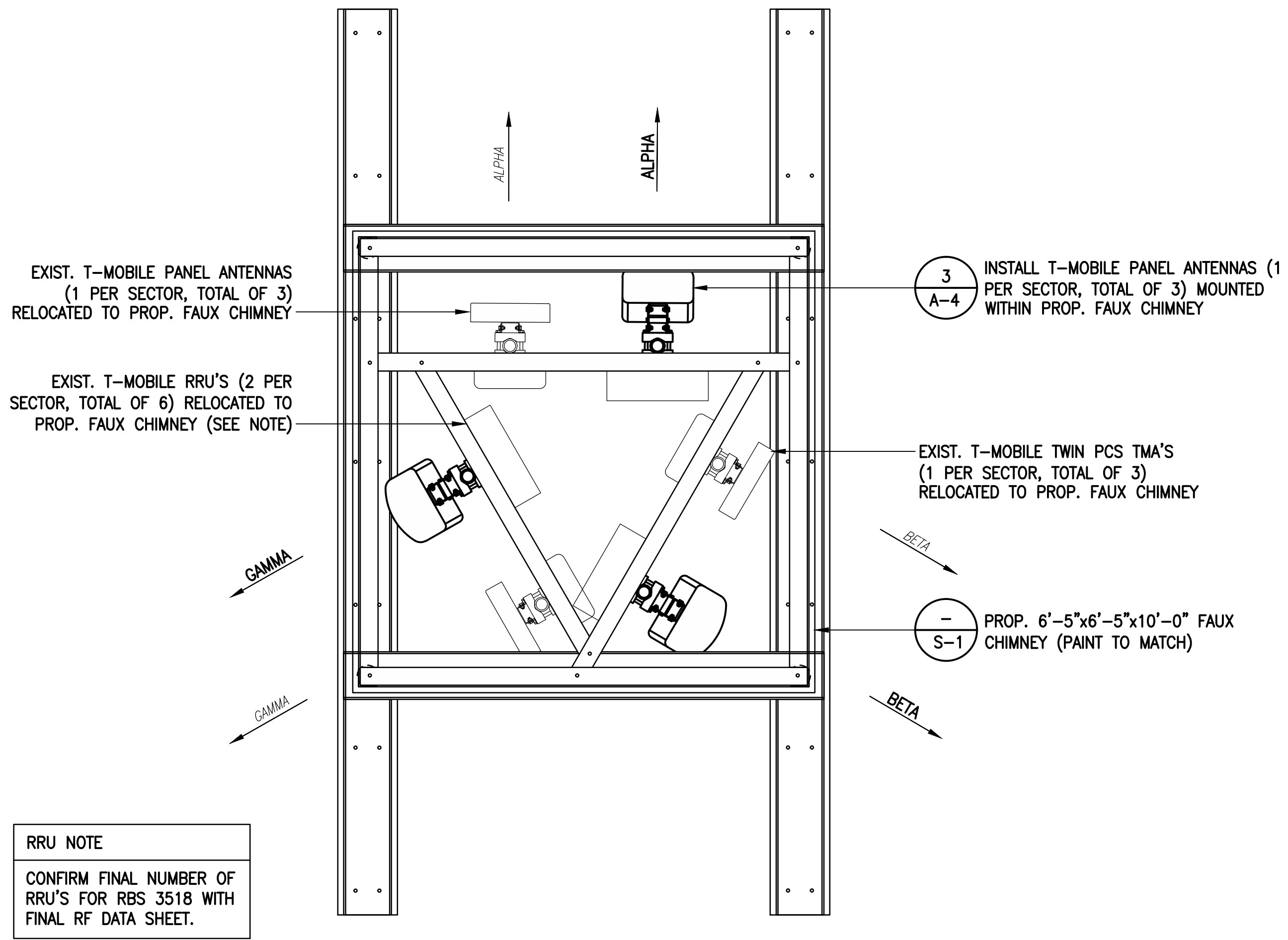
SITE NUMBER:
4DN2285D
SITE NAME:
ME285/HOLT HALL
SITE ADDRESS:
794 CONGRESS STREET
PORTLAND, ME 04102

SHEET TITLE
ANTENNA PLANS & DETAILS

SHEET NUMBER
A-4

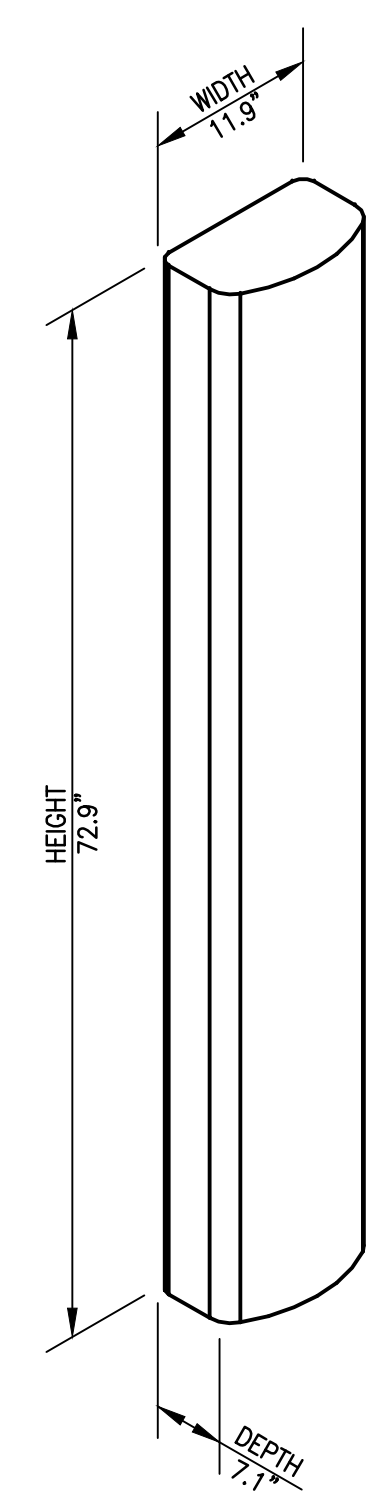


EXISTING ANTENNA PLAN
SCALE: 3/4" = 1'-0"
0 6' 12' 24' 36'
1 NORTH
A-4

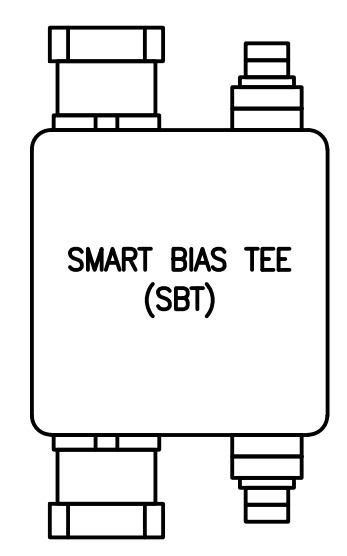


RRU NOTE
CONFIRM FINAL NUMBER OF RRU'S FOR RBS 3518 WITH FINAL RF DATA SHEET.

PROPOSED ANTENNA PLAN
SCALE: 3/4" = 1'-0"
0 6' 12' 24' 36'
2 NORTH
A-4

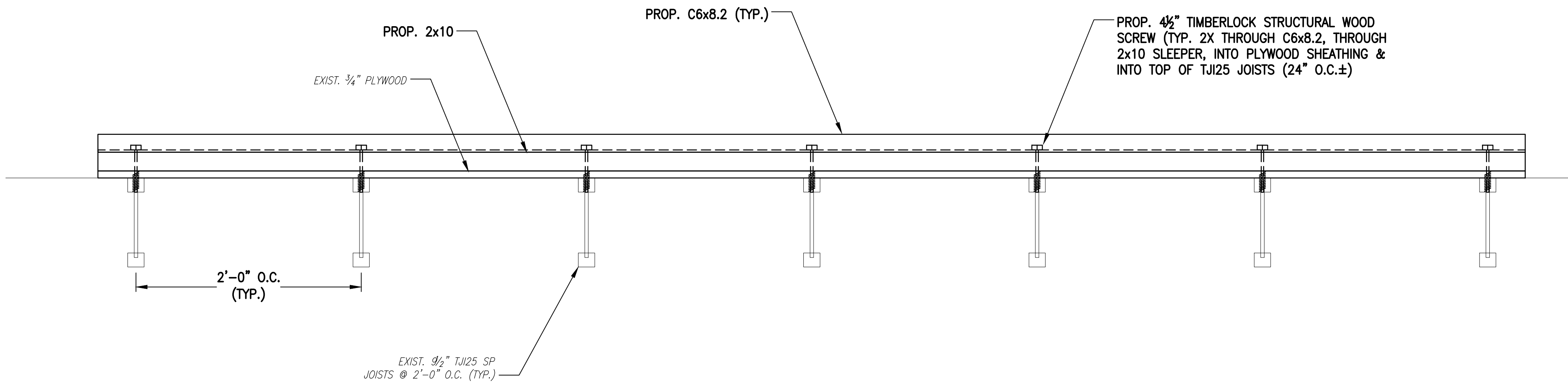


COMMSCOPE PANEL ANTENNA
DIMENSIONS: 72.9"H x 11.9"W x 7.1"D
WEIGHT: 31.3 LBS
1 PER SECTOR, TOTAL OF 3



REFER TO FINAL RFDS AND OTHER PROJECT DOCUMENTS FOR MANUFACTURER AND MODEL NUMBER. THE INSTALLATION SHALL BE IN ACCORDANCE WITH THE MANUFACTURER'S INSTRUCTIONS AND OTHER RELEVANT SAFETY REGULATIONS.

ANTENNA ISOMETRIC 3 SCALE: N.T.S. **SMART BIAS TEE** 4 SCALE: N.T.S. A-4



CHANNEL FRAME ELEVATION 5 SCALE: 1-1/2" = 1'-0"
0 0'-4" 0'-8" 1'-4" 2'-0"
A-4