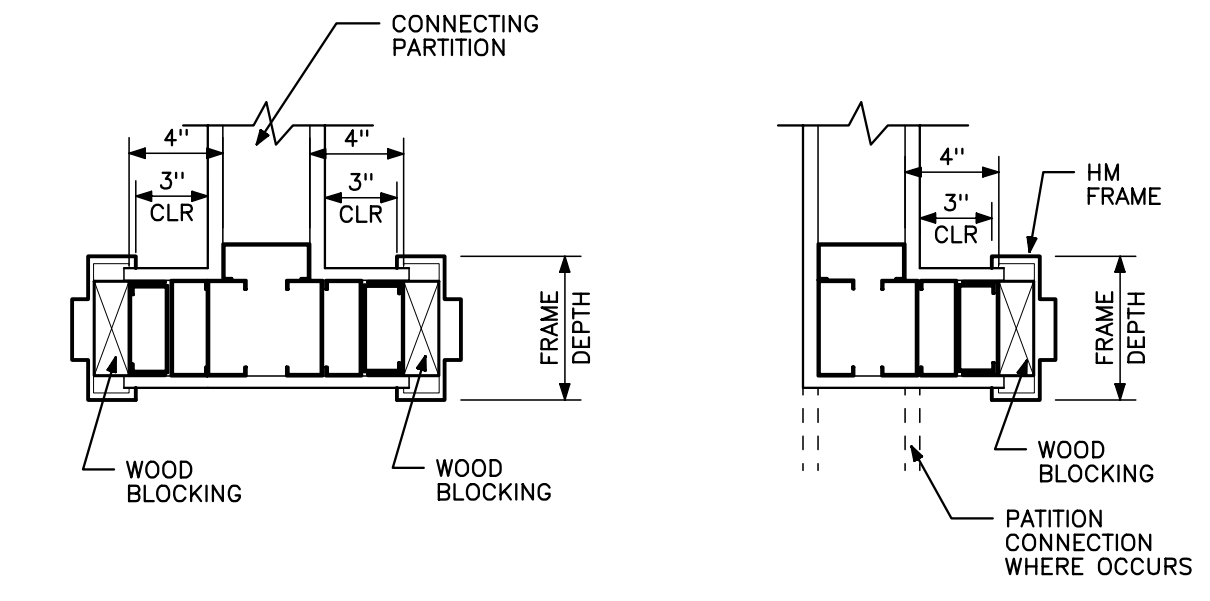
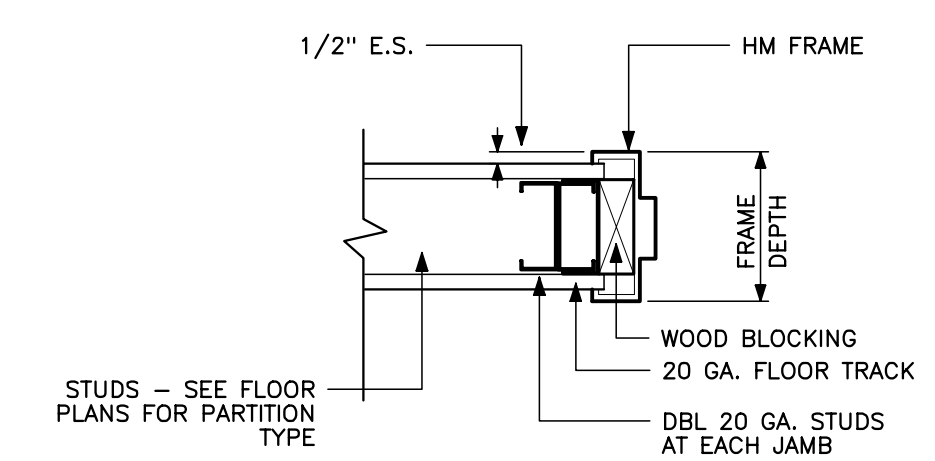
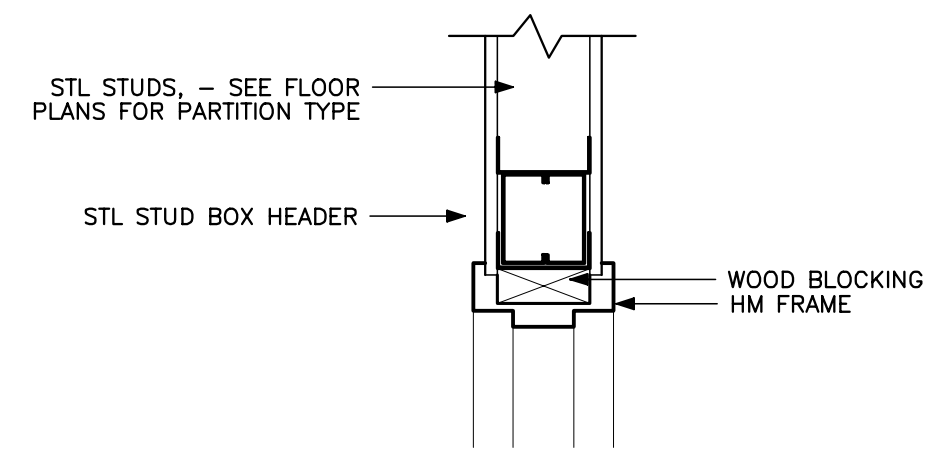


MATERIALS LEGEND

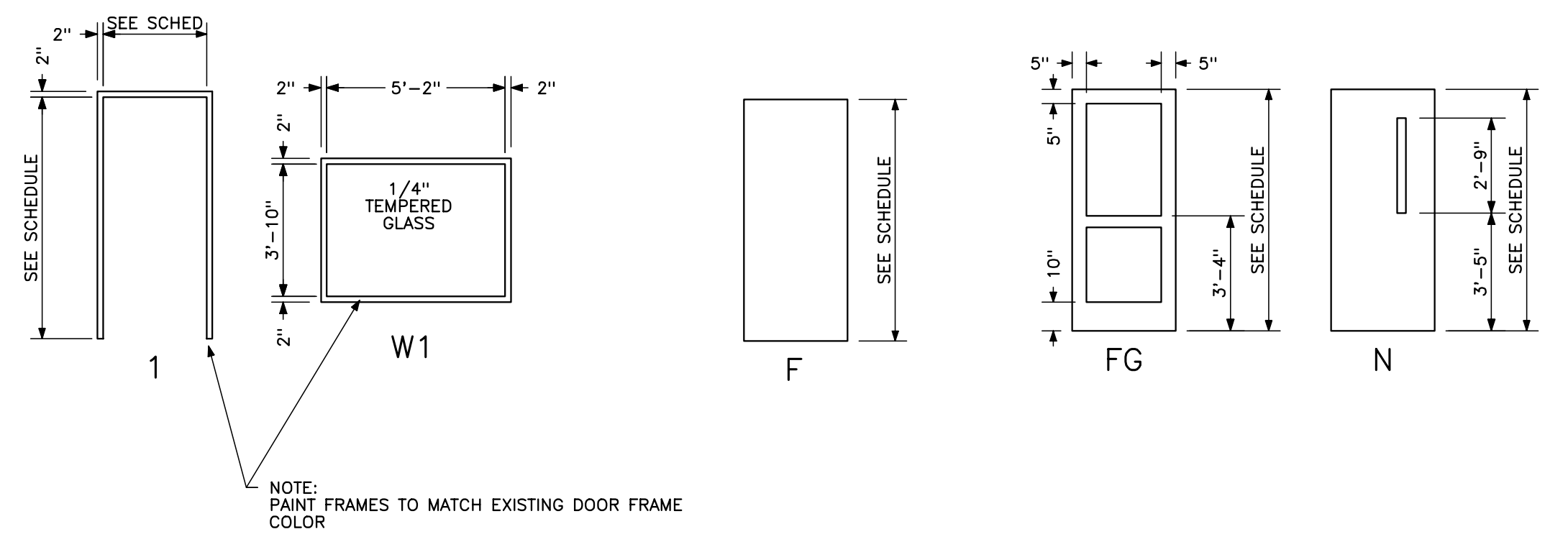
MATERIAL	CODE NO.	MANUFACTURER / SERIES	COLOR / FINISH
RESILIENT	VCT1	VERIFY EXISTING MANUF	MATCH EXISTING COLOR
	VB1	ARMSTRONG WALL BASE OR EQUAL	MATCH EXISTING COLOR
CARPET	CPT1	J & J HEIRLOOM	2657 CROCHET DOILY
PAINT	P1	ICI/GLIDDEN	COLOR TO MATCH ADJACENT SURFACES
	P2	ICI/GLIDDEN	COLOR TO MATCH ADJACENT SURFACES
	P3	ICI/GLIDDEN	COLOR TO MATCH ADJACENT SURFACES
	P4	ICI/GLIDDEN	COLOR TO MATCH ADJACENT SURFACES
	P5	ICI/GLIDDEN	COLOR TO MATCH EXISTING DOOR FRAMES
SUSPENDED CEILING	C1	VERIFY EXISTING MANUF	TILE TO MATCH EXISTING
	C2	ARMSTRONG CIRRUS/TEGULAR 24" X 24" W/ 9/16" GRID	



HEAD DETAIL - STEEL STUD
NO SCALE REF: A60.1 **D1**

JAMB DETAIL - STEEL STUD
NO SCALE REF: A60.1 **C1**

STANDARD DOOR FRAME LOCATION DETAIL
NO SCALE REF: A60.1 **B1**



DOOR AND FRAME TYPES
1/4" = 1'-0" REF: A60.1 **A2**

ROOM FINISH SCHEDULE

ROOM NO.	ROOM NAME	FLOOR		BASE		WAINSCOT			WALLS						CEILING			REMARKS		
		MAT	COLOR NO.	MAT	COLOR NO.	MAT	COLOR NO.	HT	NORTH	COLOR NO.	EAST	COLOR NO.	SOUTH	COLOR NO.	WEST	COLOR NO.	MAT		COLOR NO.	HT
B007	WAITING	-	-	4" VB	VB1	-	-	-	-	-	-	-	GPDW-PNT	P5	-	-	SUS AC	C1	EXIST'G	PATCH EXISTING AT NEW WORK
DC-B/ERL	CORRIDOR	VCT	VCT1	4" VB	VB1	-	-	-	GPDW-PNT	P1	GPDW-PNT	P1	GPDW-PNT	P1	GPDW-PNT	P1	SUS AC	C1	MATCH EXISTING	NEW VCT AT VENDING ALCOVE
B161	READING	CARPET	CPT1	4" VB	VB1	-	-	-	GPDW-PNT	P2	GPDW-PNT	P2	GPDW-PNT	P2	GPDW-PNT	P2	SUS AC	C2	MATCH EXISTING	NEW CEILING TILE AT EXISTING GRID
B161A	READING	CARPET	CPT1	4" VB	VB1	-	-	-	GPDW-PNT	P2	GPDW-PNT	P2	GPDW-PNT	P2	GPDW-PNT	P2	SUS AC	C2	8'-0"	
B162	CT TECH	-	-	4" VB	VB1	-	-	-	-	-	-	-	-	-	-	-	-	-	-	
DC-B/RO3	CORRIDOR	-	-	4" VB	VB1	-	-	-	GPDW-PNT	P4	GPDW-PNT	P4	-	-	-	-	SUS AC	C1	EXISTING	PATCH EXISTING CEILING AT NEW WORK

DOOR AND FRAME SCHEDULE

No.	DOOR				FRAME				FIRE RATING	HDW SET	REMARKS					
	SIZE			MAT	TYPE	GLASS	LOUVER					DETAILS				
	W	H	T				W	H				MAT	TYPE	HEAD	JAMB	SILL
100	(2) 3'-9"	7'-0"	1 3/4"	WD	N	WIRE			HM	1	D1/A60.1	C1/A60.1	-	1 1/2 HR	-	MAGNETIC HOLD OPEN - RELOCATE EXISTING CLOSERS
101	3'-0"	7'-0"	1 3/4"	WD	N	TEMP			HM	1	D1/A60.1	C1/A60.1	-	-	-	NEW ELECTRONIC 90 DEGREE HOLD OPEN
102	3'-0"	7'-0"	1 3/4"	WD	F	-			HM	1	D1/A60.1	C1/A60.1	-	1 1/2 HR	-	KEY LATCH NORMALLY LOCKED FROM CORRIDOR SIDE CLOSER
103	3'-0"	7'-0"	1 3/4"	WD	FG	TEMP			HM	1	D1/A60.1	C1/A60.1	-	-	-	CLOSER
104	3'-0"	7'-0"	1 3/4"	WD	F	-			HM	1	D1/A60.1	C1/A60.1	-	1 1/2 HR	-	CLOSER
W1	-	-	-	-	-	TEMP			HM	W1	D1/A60.1	C1/A60.1	-	-	-	
T01	3'-0"	7'-0"	1 3/4"	WD	F	-			HM	1	D1/A60.1	C1/A60.1	-	-	-	
T02	3'-0"	7'-0"	1 3/4"	WD	F	-			HM	1	D1/A60.1	C1/A60.1	-	-	-	
T03	3'-0"	7'-0"	1 3/4"	WD	F	-			HM	1	D1/A60.1	C1/A60.1	-	-	-	

EQUIPMENT LEGEND	
A	FURNISHED AND INSTALLED BY OWNERS EQUIPMENT VENDOR
B	FURNISHED BY OWNER AND INSTALLED BY CONTRACTOR
C	FURNISHED AND INSTALLED BY CONTRACTOR
D	FURNISHED BY OTHERS AND INSTALLED BY CONTRACTOR
E	FURNISHED AND INSTALLED BY OWNER
F	EXISTING TO BE RELOCATED BY CONTRACTOR
ITEM NO.	DETAIL NO.
DESCRIPTION	
MISCELLANEOUS EQUIPMENT	
E 1	PACS WORKSTATION
F 2	FILM ILLUMINATOR 4/4 (EXISTING-RELOCATE)
A 3	SYSTEMS FURNITURE BOOKCASE
A 4	SYSTEMS FURNITURE WORKSURFACE
B 5	FILM ILLUMINATOR, NEW 2/2
E 6	MOBILE FILM ILLUMINATOR - 4/4
E 7	WEB PC
E 8	GE ARW WORKSTATION (DOUBLE MONITOR)
B 9	NEW VENDING MACHINE (HOT DRINKS)
F 10	VENDING MACHINE (EXISTING-RELOCATE)
F 11	VENDING MACHINE (EXISTING-RELOCATE)
F 12	WALL MOUNTED TV (EXISTING-RELOCATE)
C 13	WINDOW BLIND
C 14	CURTAIN TRACK (CURTAIN BY OWNER)

Architects + Engineers
HARRIMAN ASSOCIATES
One Auburn Business Park
Auburn, Maine 04210
207.784.5100 tel
207.782.3017 fax
www.harriman.com
Building communities since 1870
© 2002

Project Title
**MAINE MEDICAL CENTER
ED READING
RENOVATION**
PORTLAND, MAINE
HA Project No. **00112**
Key Plan

Issue Dates
- 07-22-02 ISSUED FOR BID
- 06-07-02 FINAL REVIEW
- 05-13-02 75% REVIEW
Mark Date Description

Drawing Status

Drawing Title
**SCHEDULES AND
DETAILS**
PA / PE: **JBL** Drawn By:
Drawing Number
A60.1