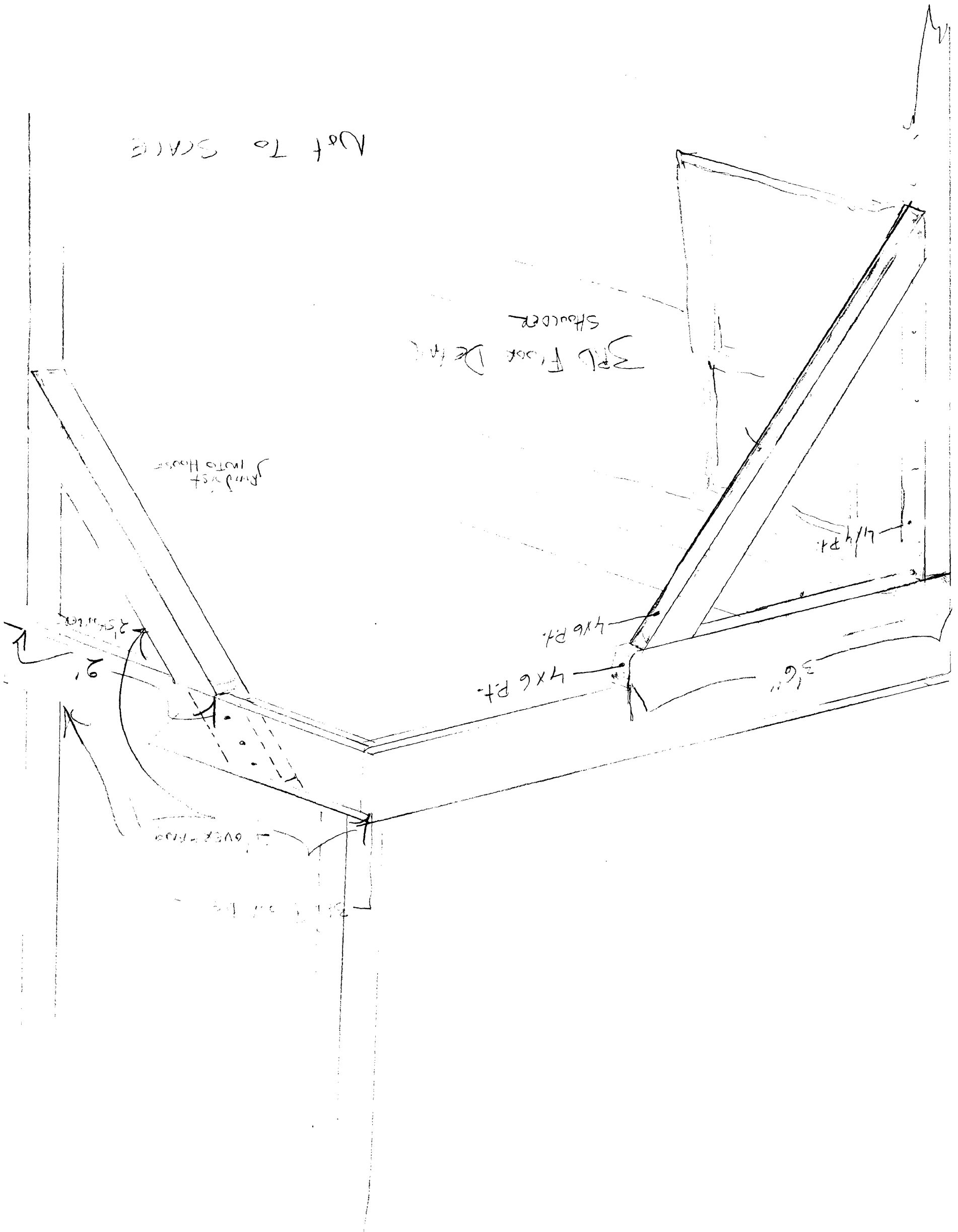
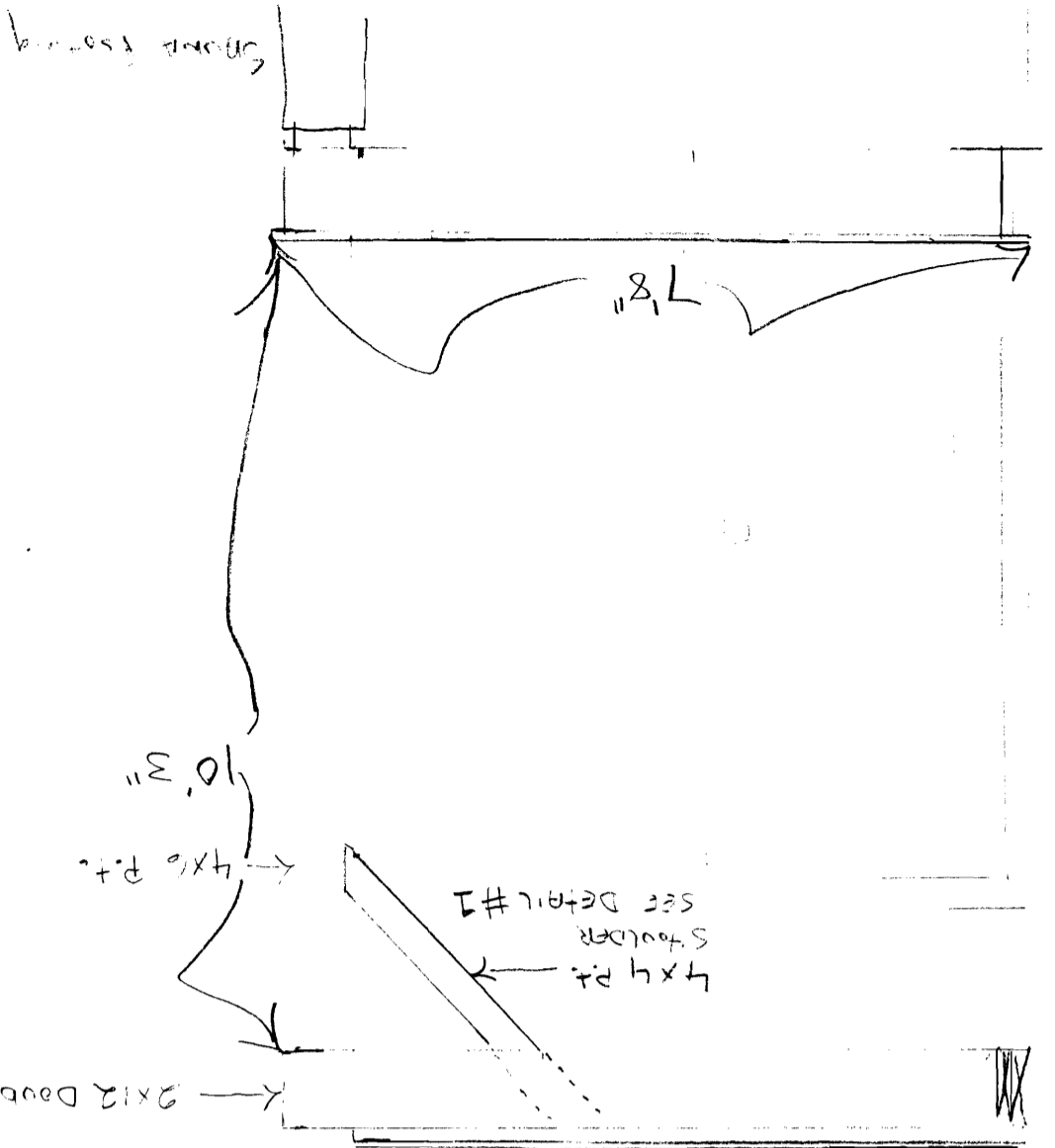


Deck is Double Header Timber Lacked To Stud Frame Wall
 Double Rlr Joist Shoulder on 4x6 pt.
 Joist Hangers 16" OC

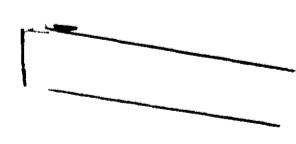
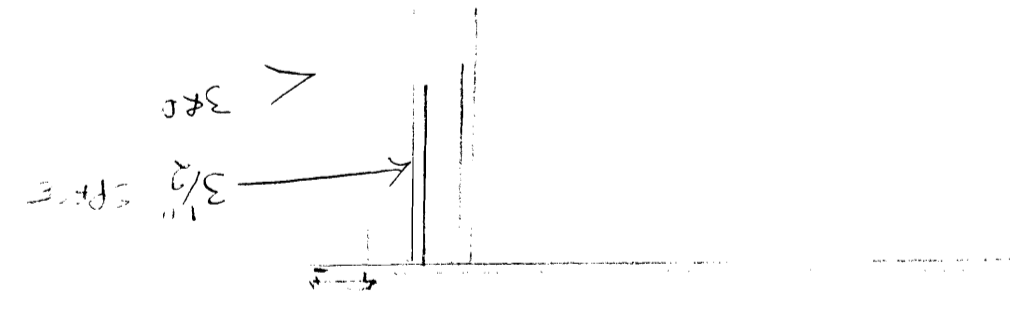
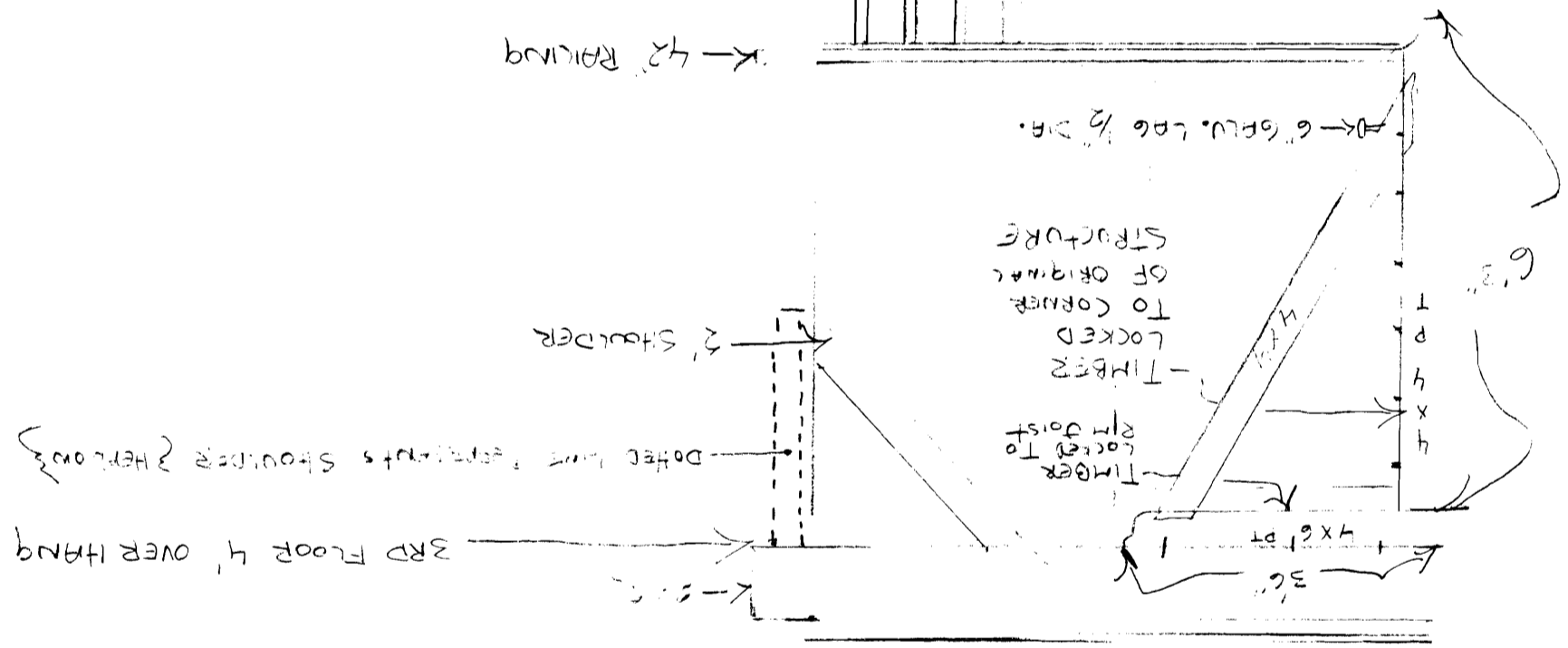


House



1" = 1' Roughly

SPACING AND BRUSTERS 3 1/2"



NOT TO SCALE
REFERENCE FOR TIMBER ONLY

~~1/2" PL~~
~~SHOULDER~~

To SPINA Tube Footings

← 4x6" Pt.

1/2" NOTCH SHOULDER
2 LET INTO 4x6

6" LAG
X
1/2"

← SOME AS THE OTHER

← 4x6 Pt.

← 4x4 Pt.

← 4x6 Pt.

2'-0"

2'-0"

← TIMBER LOCKS

1/2" SHOULDER

← 2x2 Double Rim Joist
Pressure Treated

DETAIL FOR S-SHOULDERS
LATERAL BRACING
REFERRED FOR ALL HORIZONTAL
LOAD TRANSFERS TO VERTICAL
POSTS
TIMBER LOCKS

