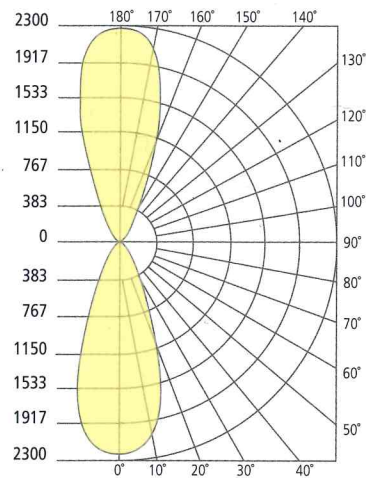


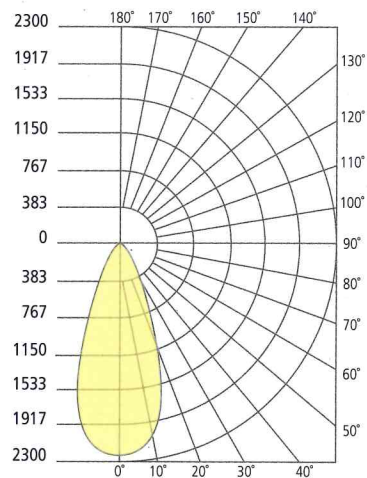
TEGEL 12 UP/DOWN

Total Lumen Output: 2346
 Total Power: 29.2
 Luminaire Efficacy: 80.2
 Color Temp: 3000K
 CRI: 80+
 BUG Rating: B1-U5-G0



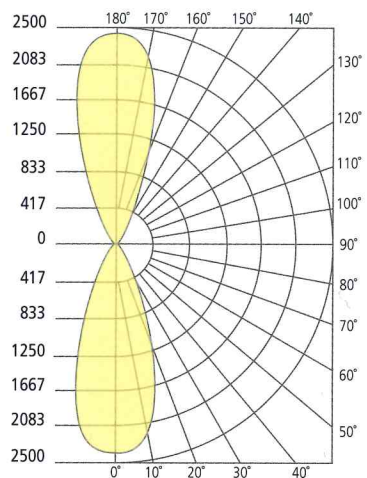
TEGEL 12 DOWN

Total Lumen Output: 1212
 Total Power: 15.6
 Luminaire Efficacy: 77.7
 Color Temp: 3000K
 CRI: 80+
 BUG Rating: B1-U0-G0



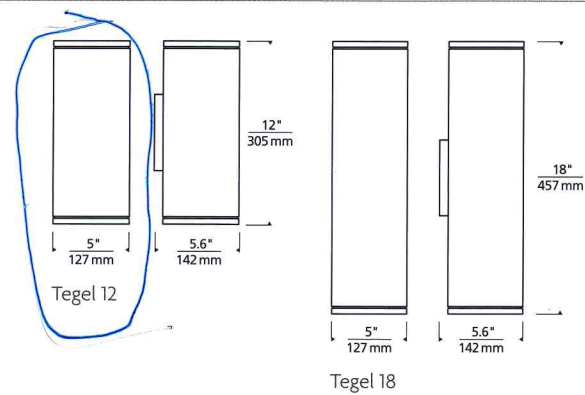
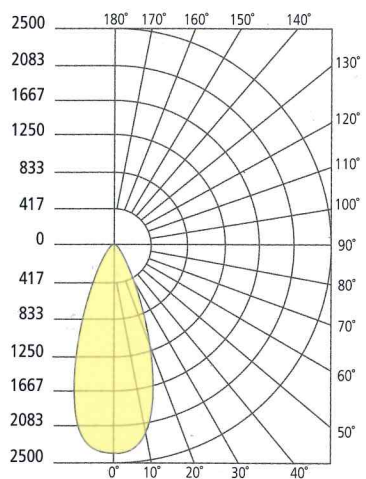
TEGEL 18 UP/DOWN

Total Lumen Output: 2419
 Total Power: 29.9
 Luminaire Efficacy: 80.6
 Color Temp: 3000K
 CRI: 80+
 BUG Rating: B1-U5-G0



TEGEL 18 DOWN

Total Lumen Output: 1212
 Total Power: 15.6
 Luminaire Efficacy: 77.7
 Color Temp: 3000K
 CRI: 80+
 BUG Rating: B1-U0-G0



TEGEL WALL

7000WTEG	CRI/CCT	LENGTH	BEAM SPREAD*	LENS	FINISH	FUNCTION	VOLTAGE	OPTIONS
830	80 CRI, 3000K	12 12"	N 10° NARROW	C CLEAR	Z BRONZE	DO DOWNLIGHT ONLY	UNV 120V-277V	NONE
840	80 CRI, 4000K	18 18"	W 36° WIDE		Y GRAY	UD UPLIGHT/DOWNLIGHT		PC BUTTON PHOTOCONTROL
			NN 10° UP AND DOWN		H CHARCOAL			LF IN-LINE FUSE
			WW 36° UP AND DOWN					SP SURGE PROTECTION
			NW 10° AND 36°					PCLF BUTTON PHOTOCONTROL & IN-LINE FUSE
								PCSP BUTTON PHOTOCONTROL & SURGE PROTECTION
								LFSP IN-LINE FUSE & SURGE PROTECTION
								PCLFSP BUTTON PHOTOCONTROL, IN-LINE FUSE & SURGE PROTECTION

*N, W = DOWNLIGHT ONLY (DO); NN, WW, NW = UP AND DOWNLIGHT ONLY (UD)

