

DOOR SCHEDULE

DOORS

FRAME THRESHOLD

ALUM.	ALUMINUM	SC	SOLID CORE
EXT	EXTERIOR	S.H.	SPRING HINGE
DR	DOOR	TEMP	TEMPERED
INS	INSULATED	TK	THICKNESS
FR	FIRE RATED	UP	WOOD
MAG	MAGNETIC	UG	URGE GLASS
HTL	HOLLOW METAL	CO.	CASED OPENING
NO	NUMBER		

DOOR SCHEDULE ABBREVIATIONS

NO.	SIZE	THK.	MAT.	RATING	GLASS	SIDELITE	MAT.	MAT.	HEIGHT	REMARKS
GROUND FLOOR										
1	EXISTING	-	-	-	-	-	-	-	-	existing to remain
2	3068	1 3/4"	WOOD	-	-	-	METAL	-	-	match existing species/finish
3	EXISTING	1 3/4"	-	-	-	-	-	-	-	existing to remain
4	EXISTING	1 3/4"	-	-	-	-	-	-	-	existing to remain
5	3068	1 3/4"	WOOD	-	-	-	METAL	-	-	match existing species/finish
5a	3068	1 3/4"	WOOD	-	-	-	METAL	-	-	match existing species/finish
6	C.O.	-	-	-	-	-	-	-	-	-
7	6068	1 3/4"	-	-	-	-	-	-	-	match existing species/finish
8	3068	1 3/4"	WOOD	-	-	-	METAL	-	-	match existing species/finish
9	EXISTING	1 3/4"	-	-	-	-	-	-	-	existing to remain
10	3068	1 3/4"	WOOD	-	-	-	METAL	-	-	match existing species/finish
11	EXISTING	1 3/4"	-	-	-	-	-	-	-	existing to remain
12	EXISTING	1 3/4"	-	-	-	-	-	-	-	existing to remain

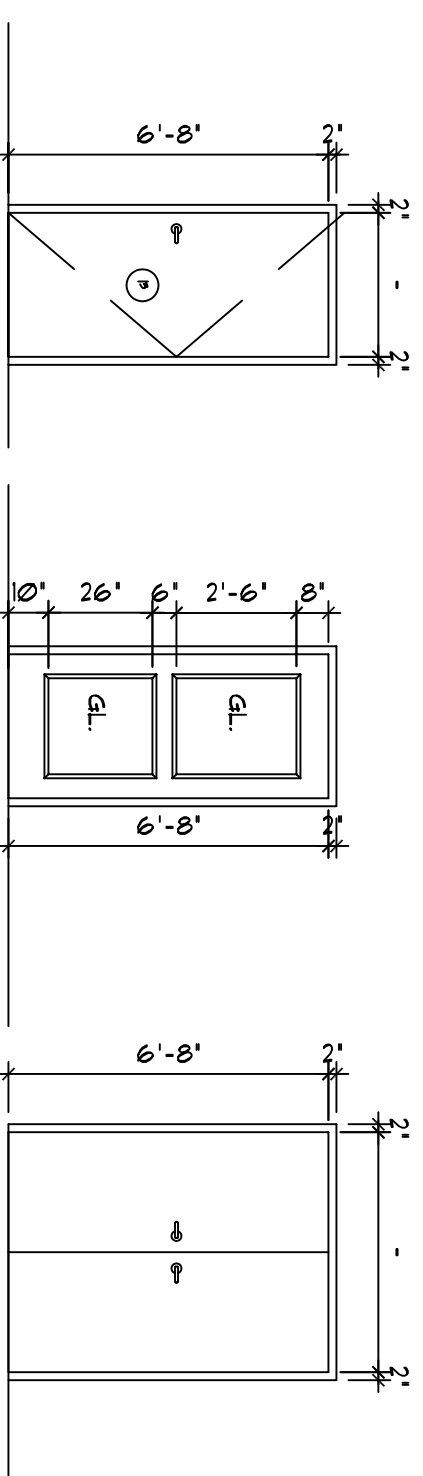
FINISH SCHEDULE

ABBREVIATIONS			
CPT	CARPET	GL.R	SEALER
CONC	CONCRETE	S.V.	SHEET VINYL
GR	GRAVEL	UP	WOOD
HTL	HOLLOW METAL	PTD	PATCH WALLS
MTL	MATERIAL	ACT	ACOUSTICAL CEILING TILE
PLWD	PLYWOOD	VCT	VINYL COMPOSITION TILE

NO.	NAME	WALL		FLOOR		CEILING		REMARKS
		WALLS FINISH	WALL FINISH	FLOOR FINISH	FLOOR FINISH	CEILING FINISH	CEILING FINISH	
01	WAITING	PTCH	PTD	-	CPT	ACT	-	-
02	CONSULT	PTCH	PTD	-	CPT	ACT	-	-
03	CONSULT	GLB	PTD	-	CPT	ACT	-	-
04	CONSULT	GLB	PTD	-	CPT	ACT	-	-
05	ADMINISTRATION	GLB	PTD	-	CPT	ACT	-	-
06	STORAGE	GLB	PTD	-	CPT	ACT	-	-
07	STORAGE	GLB	PTD	-	CPT	ACT	-	-
08	TEL/DATA	GLB	PTD	-	CPT	ACT	-	-
09	CORRIDOR	GLB	PTD	-	CPT	ACT	-	-
10	EXAM	GLB	PTD	-	VCT	ACT	-	-
11	EXAM	GLB	PTD	-	VCT	ACT	-	-
12	EXAM	GLB	PTD	-	VCT	ACT	-	-

INTERIOR BASEBOARD:

A. BASEBOARD: VINYL BASE MATCH EXISTING, COLOR TO BE DETERMINED



A ELEV.
DOOR w/ HOLLOW
MTL FRAME

B ELEV.
SOLID WOOD DOOR
w/ HOLLOW MTL
FRAME

C ELEV.
SOLID WOOD DOOR w/
METAL FRAME

Project:
Geriatric
Outpatient
Clinic

66 Bramhall
Ground Floor

SHEET TITLE
Schedules