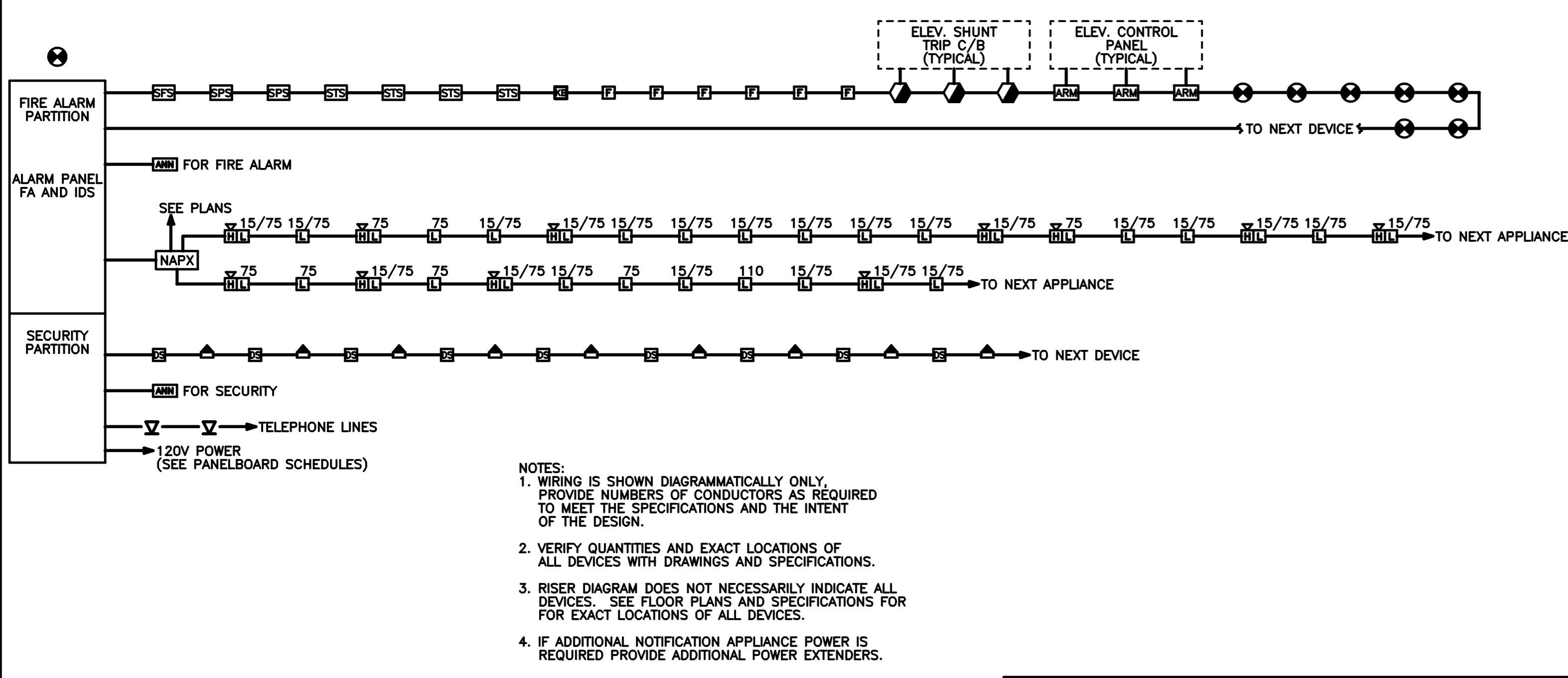
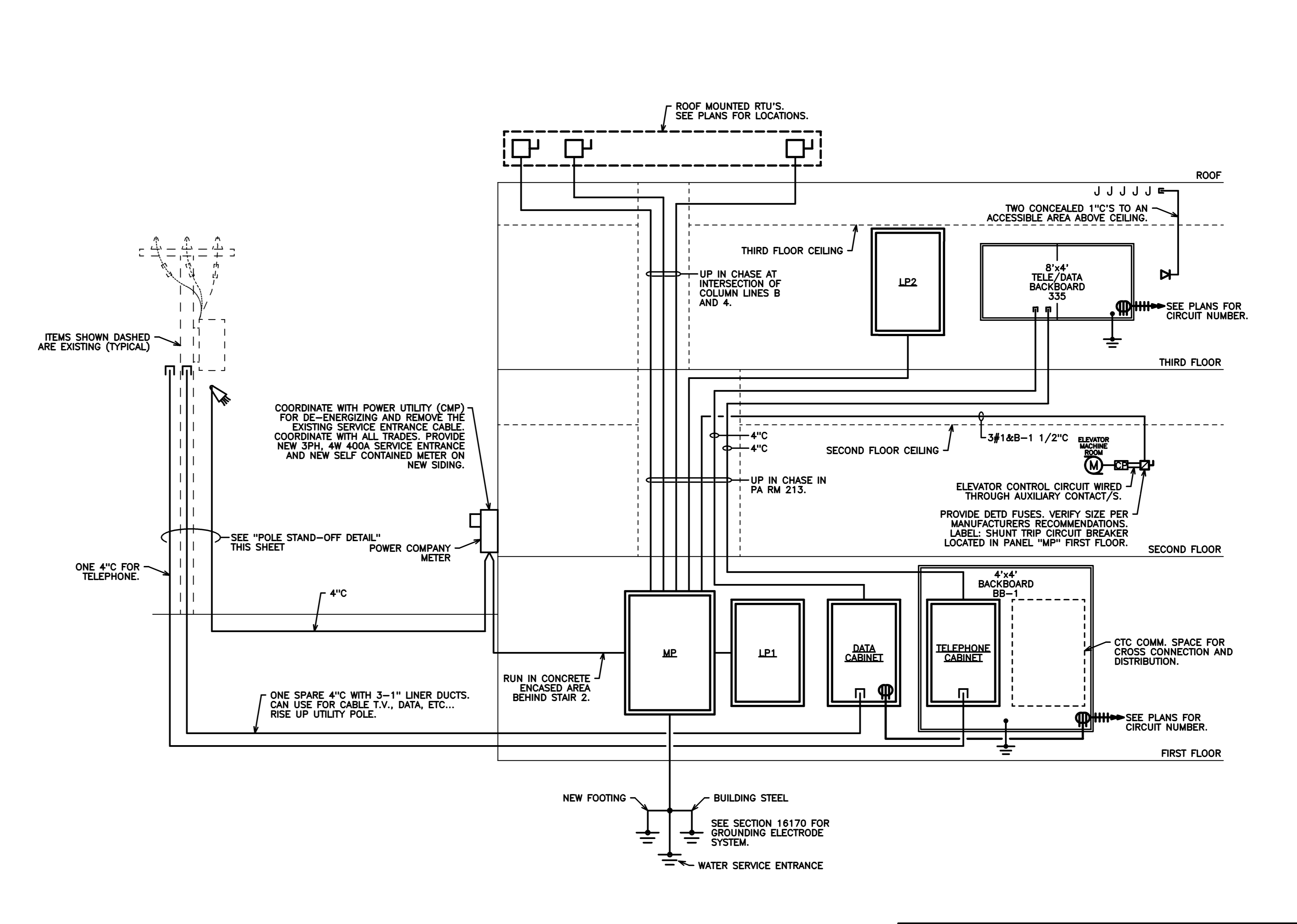


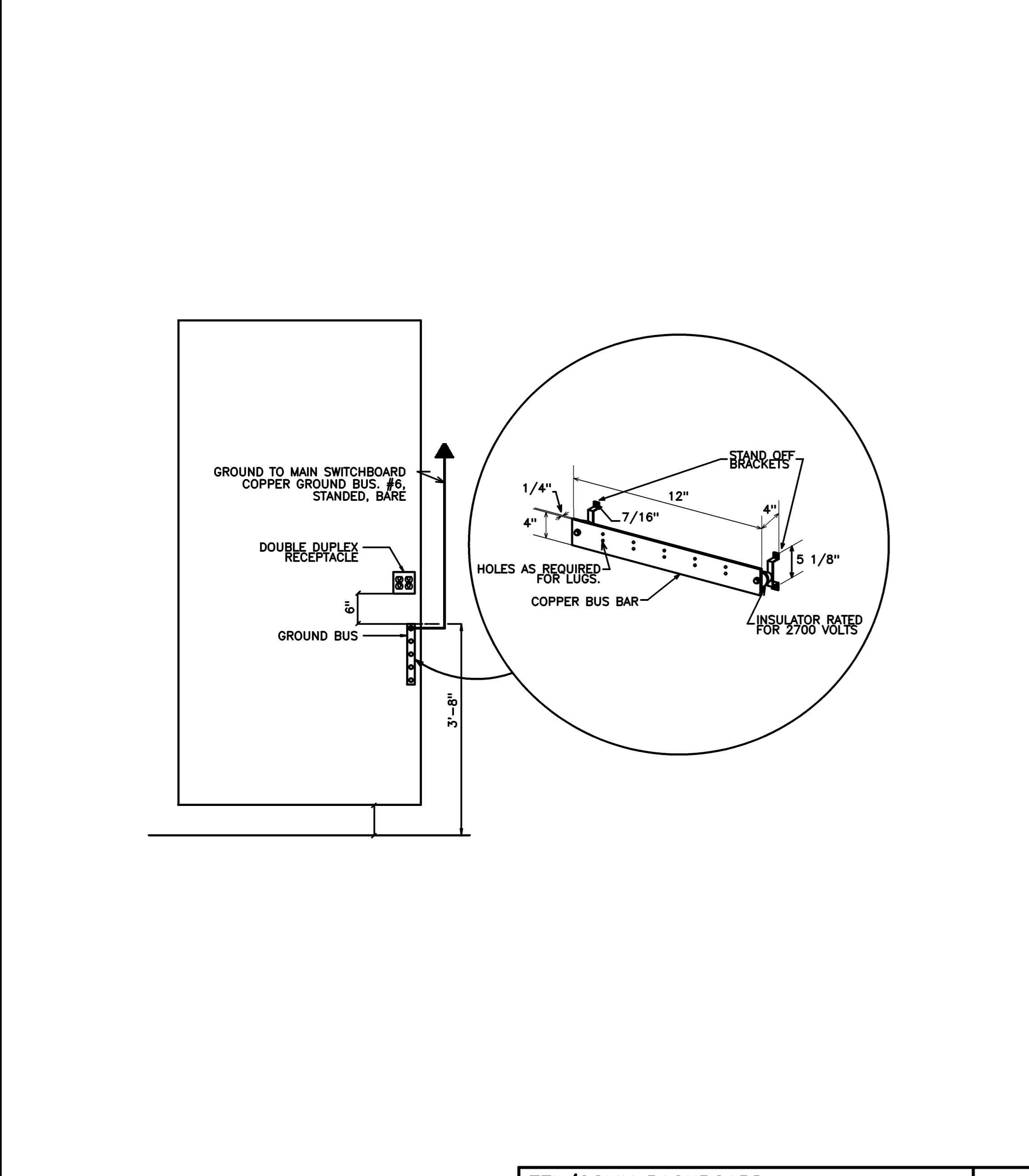
**CARD ACCESS SYSTEM**  
 NO SCALE REF: NA **C2**



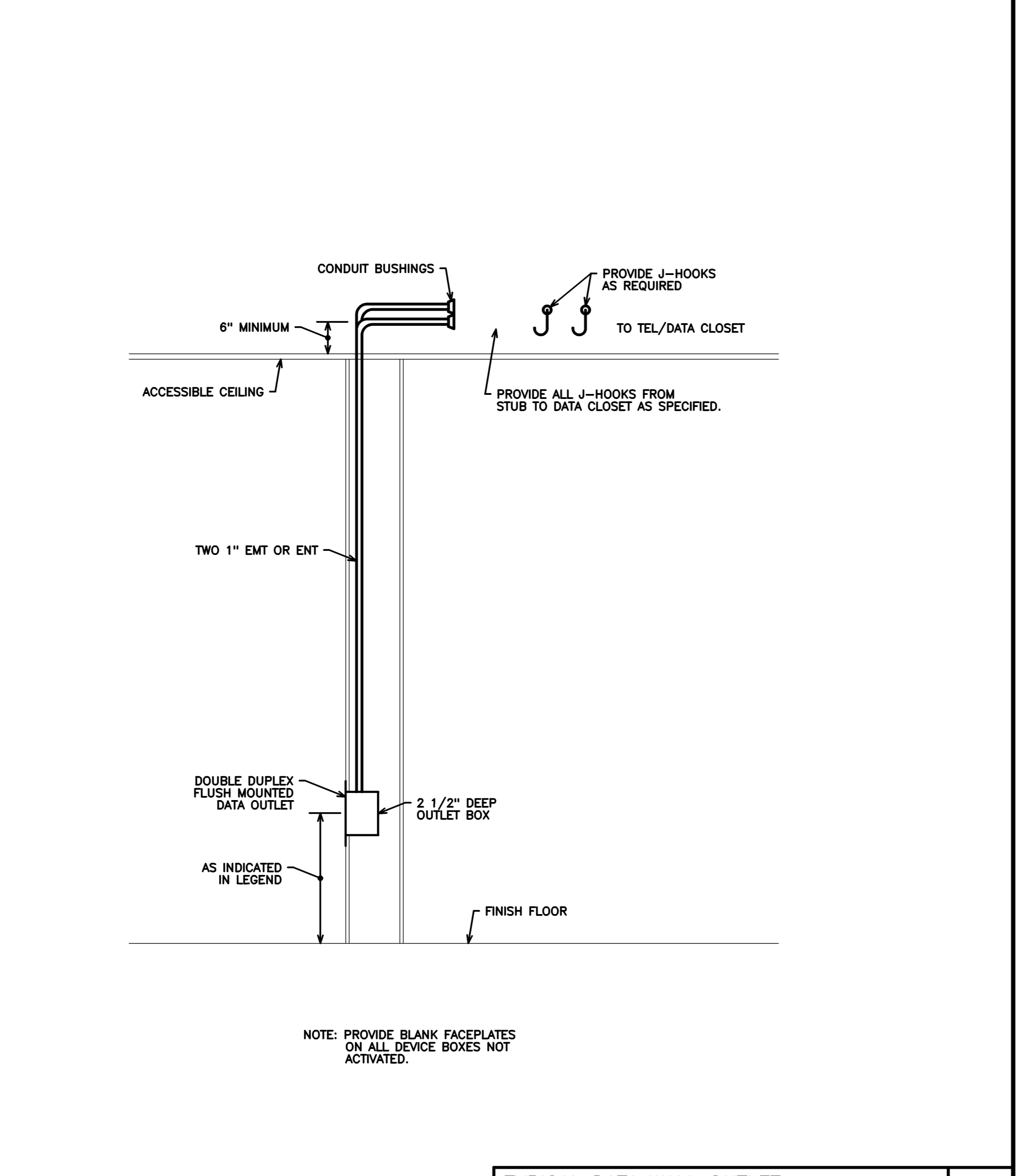
**ALARM RISER**  
 NO SCALE REF: NA **B2**



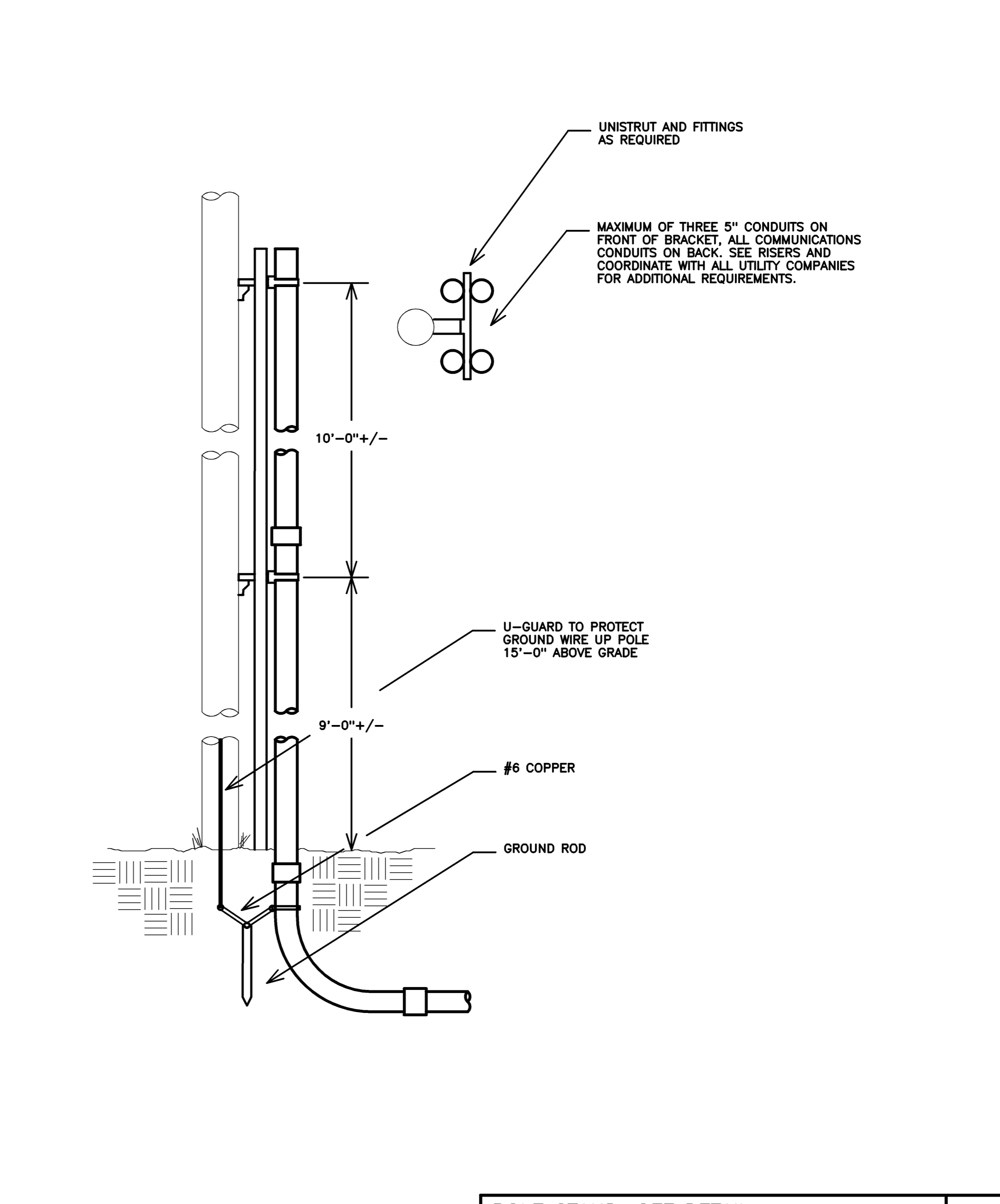
**POWER AND COMMUNICATIONS RISER**  
 NO SCALE REF: NA **B1**



**TEL/COMM BACKBOARD**  
 NO SCALE etelbkvctri REF: NA **A3**



**TYPICAL DATA WALL OUTLET**  
 NO SCALE edataprov.ri REF: NA **A2**



**POLE STAND-OFF DETAIL**  
 NO SCALE emmpole.ri REF: NA **A1**

Mark	Date	Description
-	04-28-05	ISSUED FOR BID
-	04-11-05	100% REVIEW
-	01-10-05	DD REVIEW

Issue Dates

Drawing Status

Drawing Title  
**SINGLE LINE RISER DIAGRAMS**

PA / PE: **PRM** Drawn By: **JMB/KRM**

Drawing Number