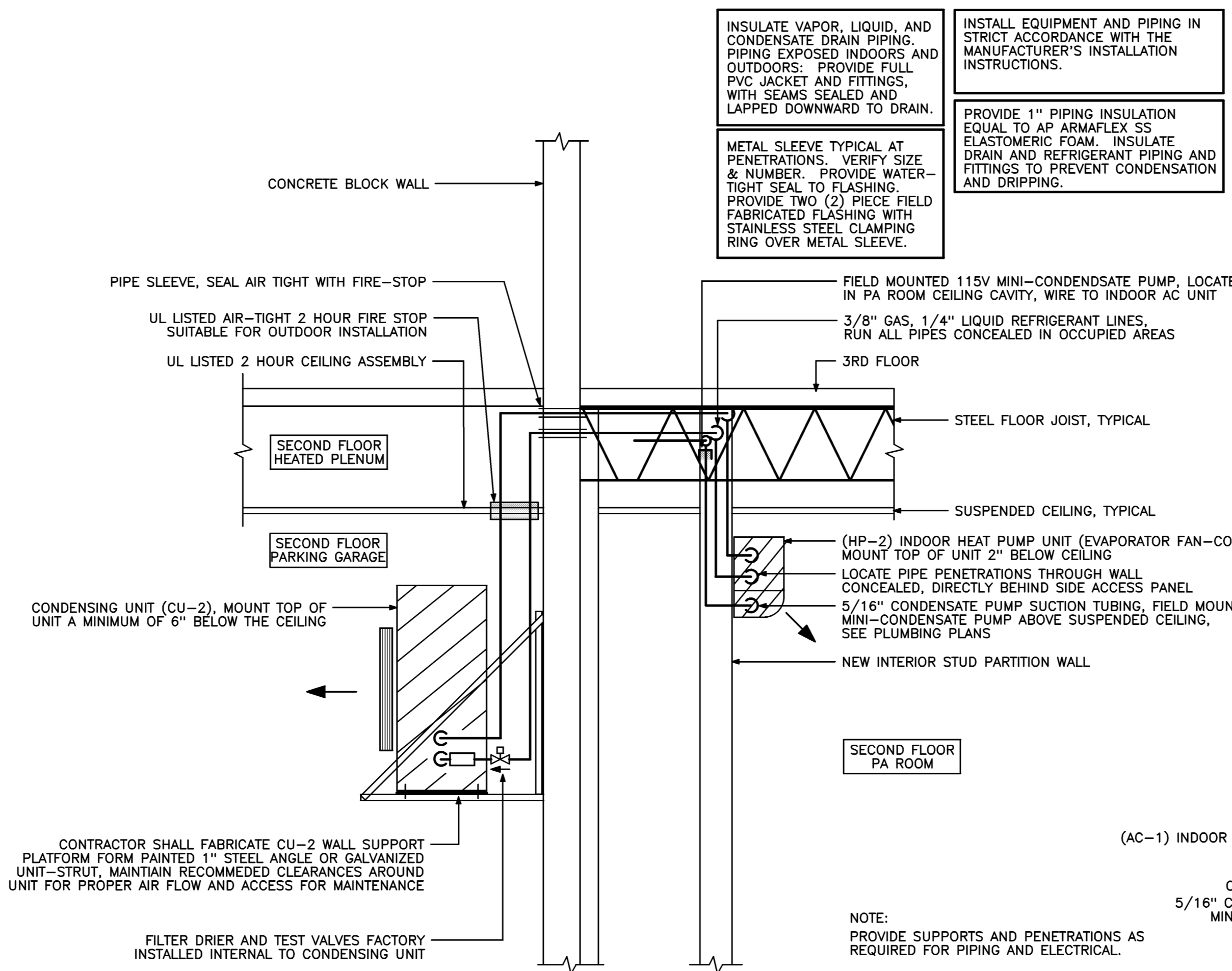
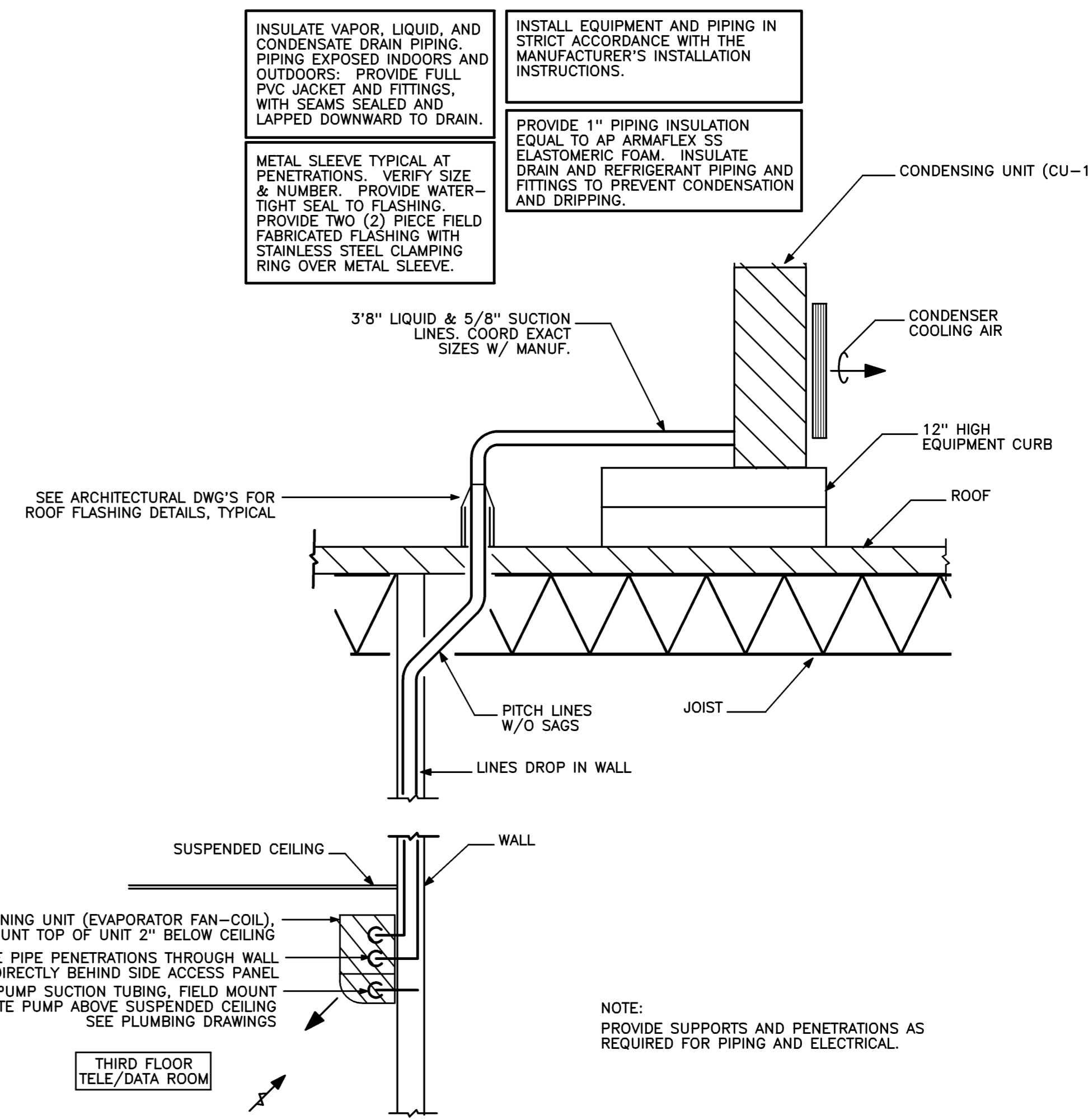


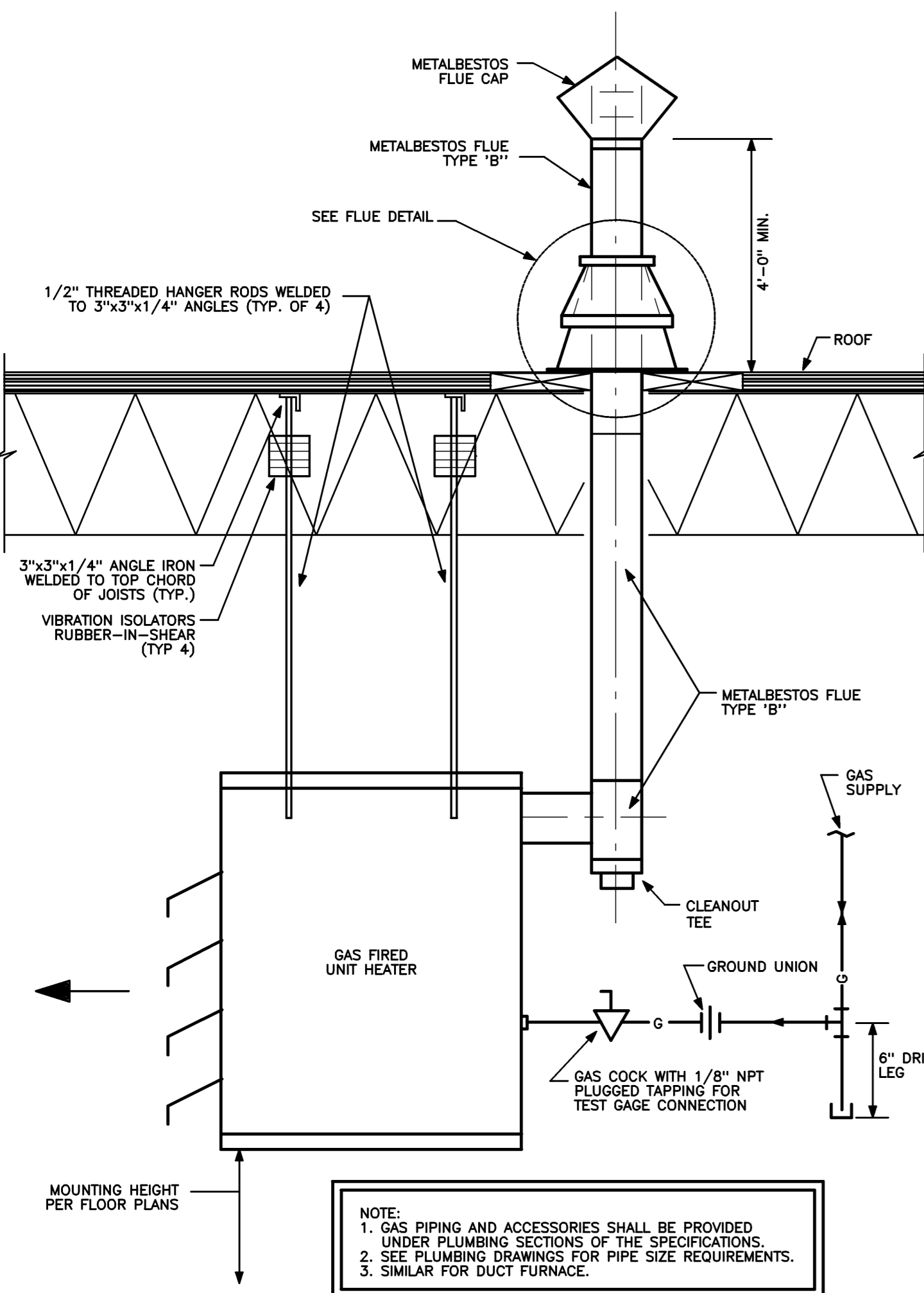
UP BLAST EXHAUST FAN DETAIL
NO SCALE



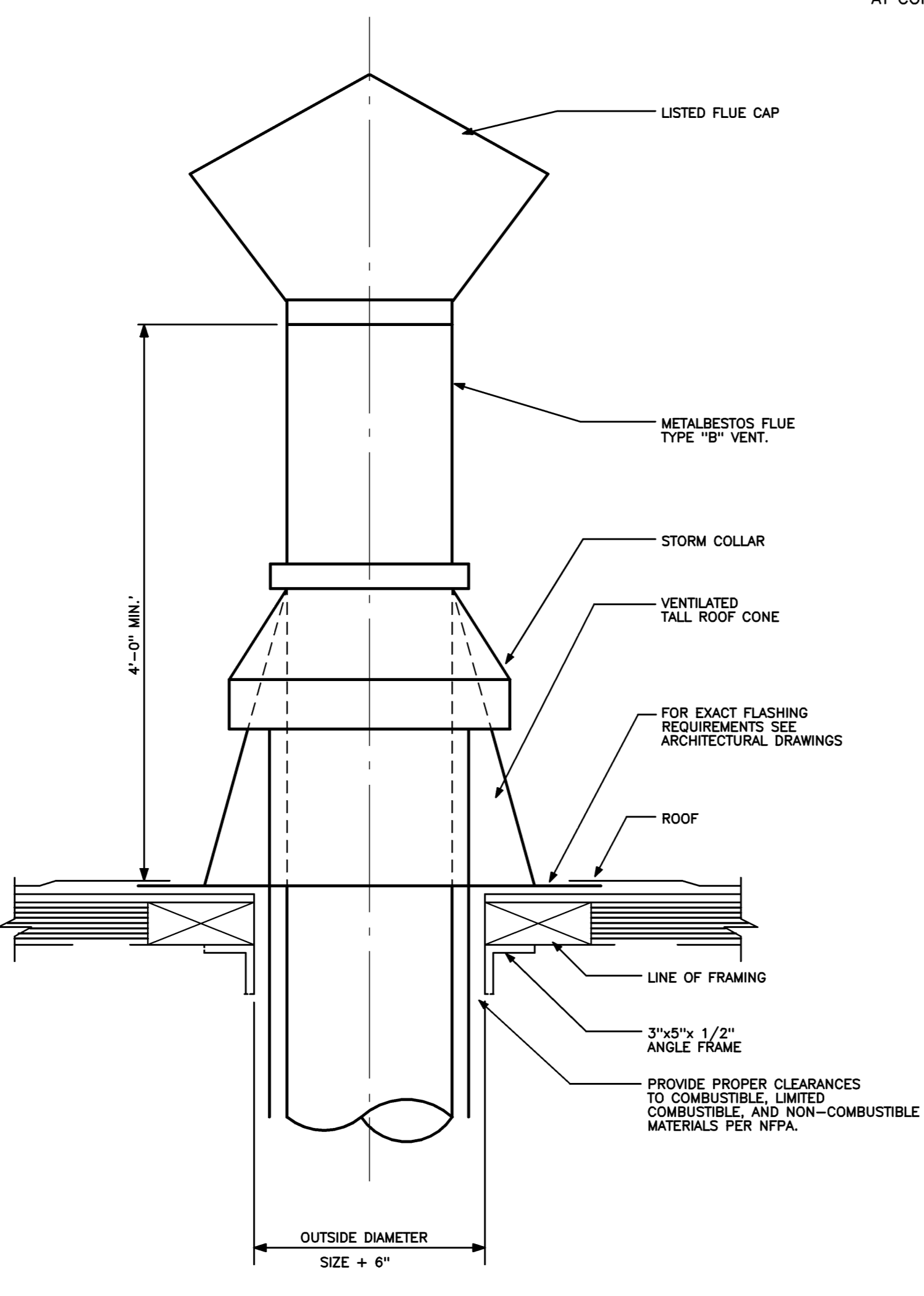
DUCTLESS HEAT PUMP UNIT DETAIL
NO SCALE



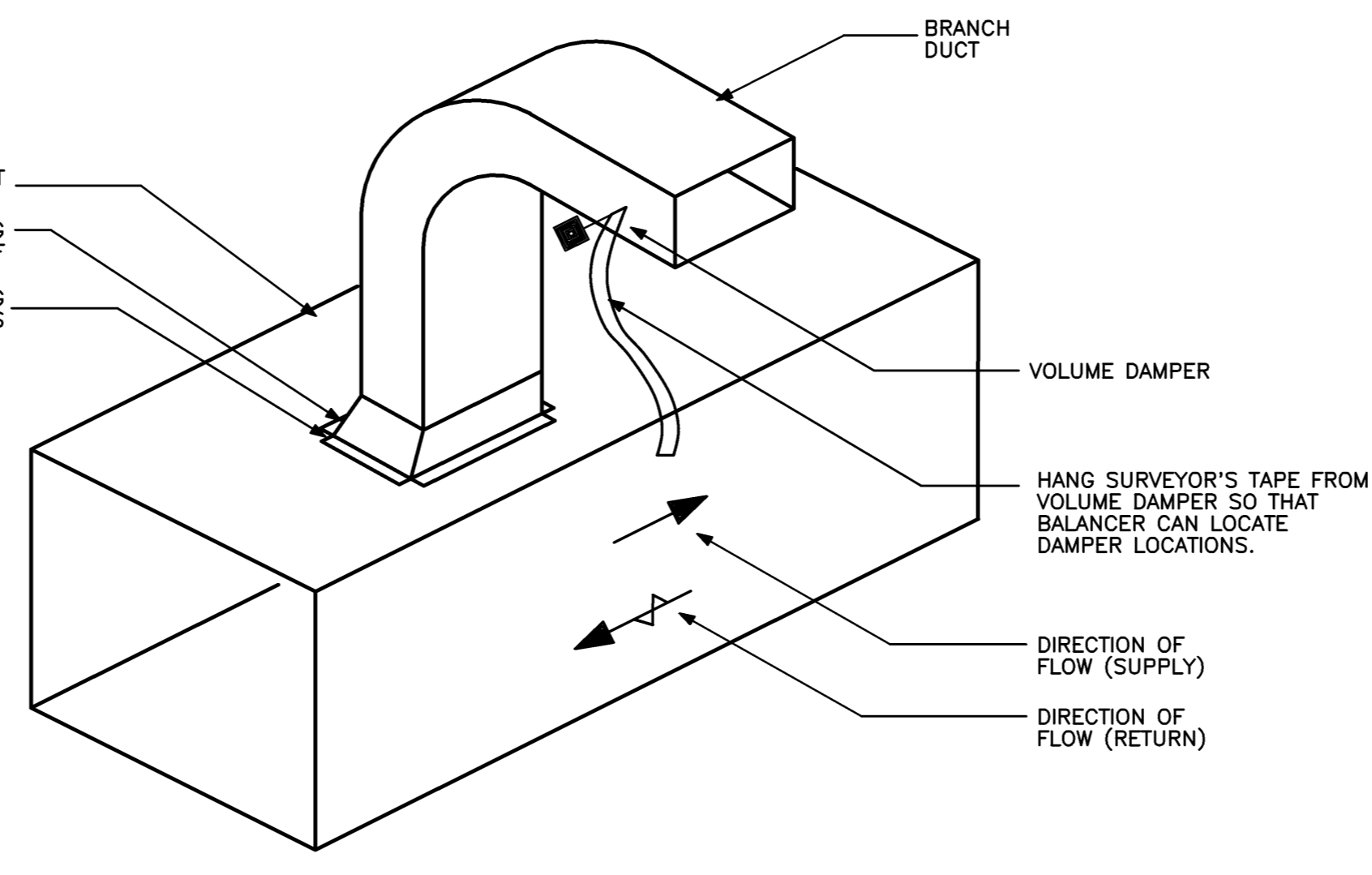
DUCTLESS AIR CONDITIONING UNIT DETAIL
NO SCALE



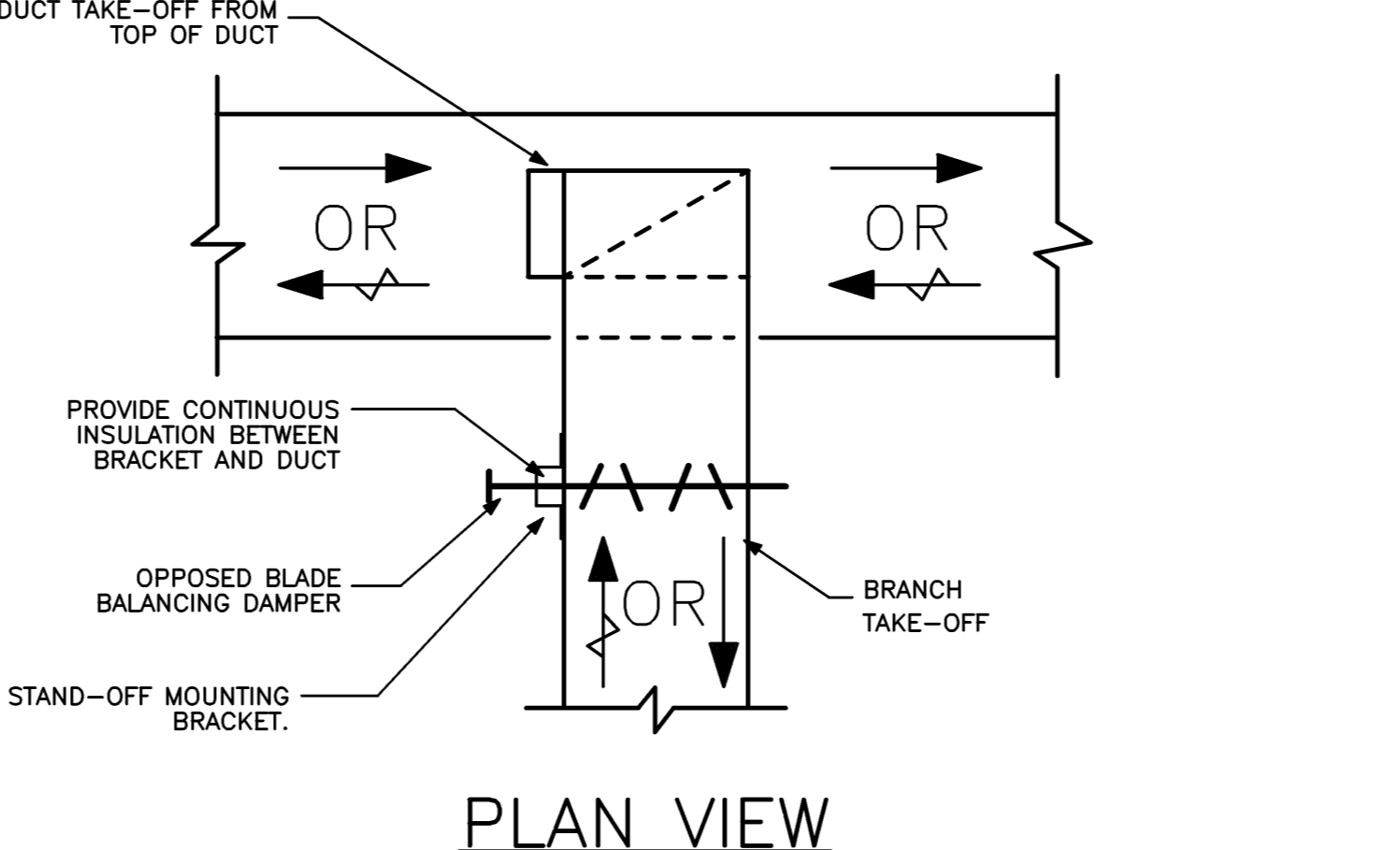
GAS UNIT HEATER DETAIL
NO SCALE



EXHAUST FLUE DETAIL
NO SCALE



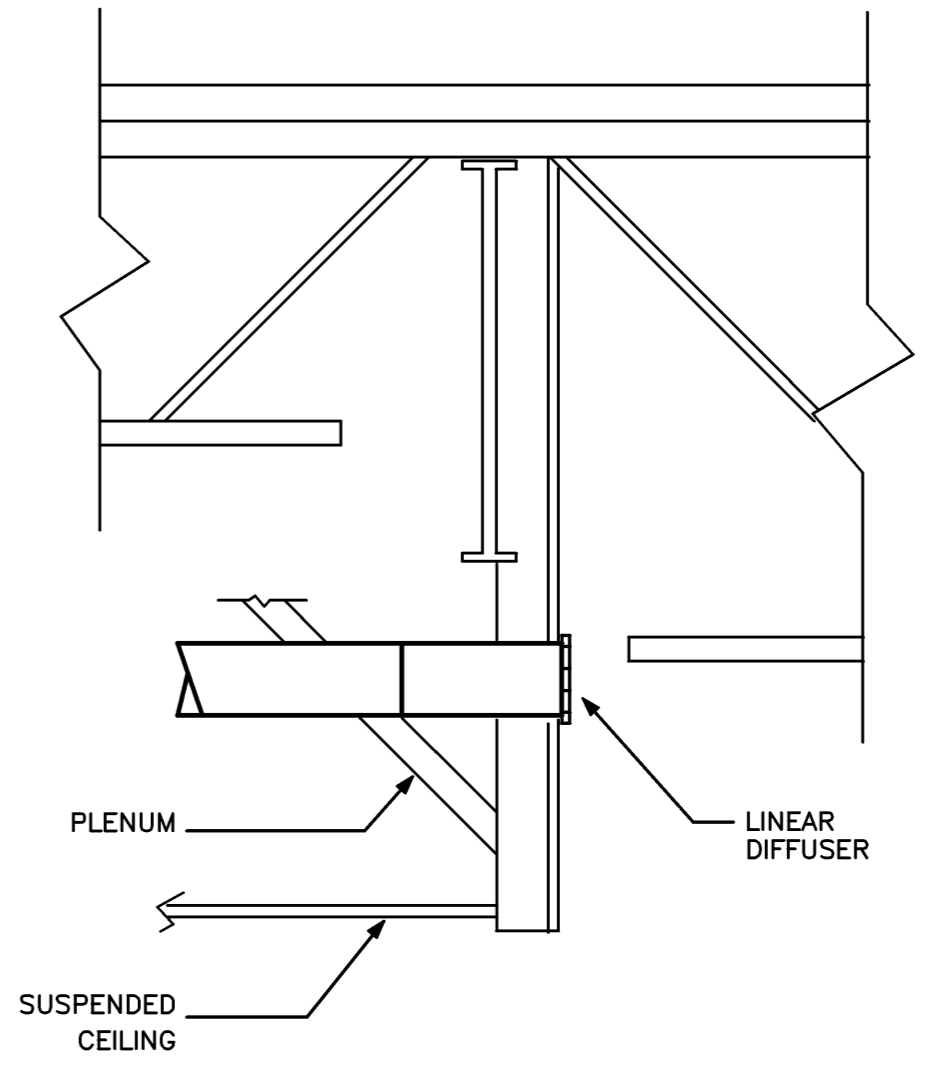
ISOMETRIC VIEW



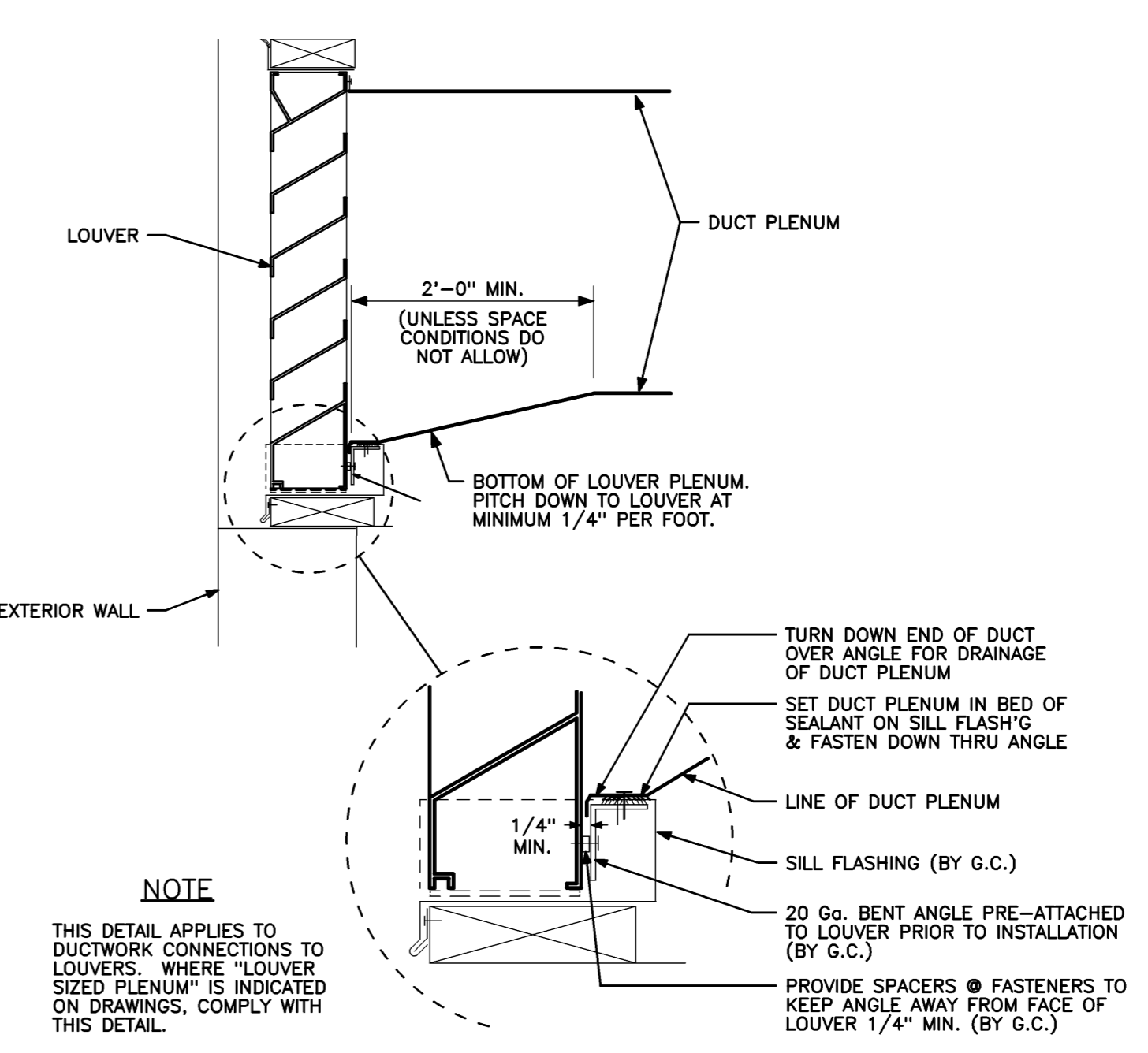
PLAN VIEW

INSULATED SUPPLY AND RETURN DUCTWORK SHALL BE INSTALLED WITH STAND-OFF MOUNTING BRACKETS FOR VOLUME/BALANCING DAMPER OPERATORS. ALLOW CLEARANCE BETWEEN DUCT AND OPERATOR OF NOT LESS THAN INSULATION THICKNESS.

TYPICAL BRANCH DUCT TAKE-OFF DETAIL
NO SCALE



LINEAR DIFFUSER DETAIL
NO SCALE



LOUVER CONNECTION DETAIL
NO SCALE

Project Title
MAINE HEART SURGICAL ASSOC. NEW OFFICE BLDG.
PORTLAND, ME
HA Project No. **04180**
Key Plan
ELLSWORTH STREET
BRAMHALL PLACE
CONGRESS STREET

Mark	Date	Description
-	04-28-05	ISSUED FOR BID
-	04-11-05	100% REVIEW
-	01-10-05	DD REVIEW

Issue Dates

Drawing Status

Drawing Title
DETAILS
PA / PE: **CG** Drawn By: **KCW**
Drawing Number

M30.2