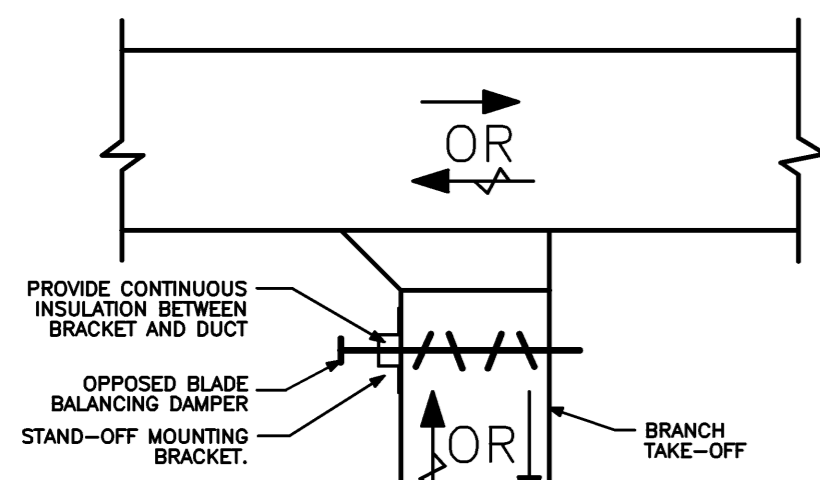


ISOMETRIC VIEW



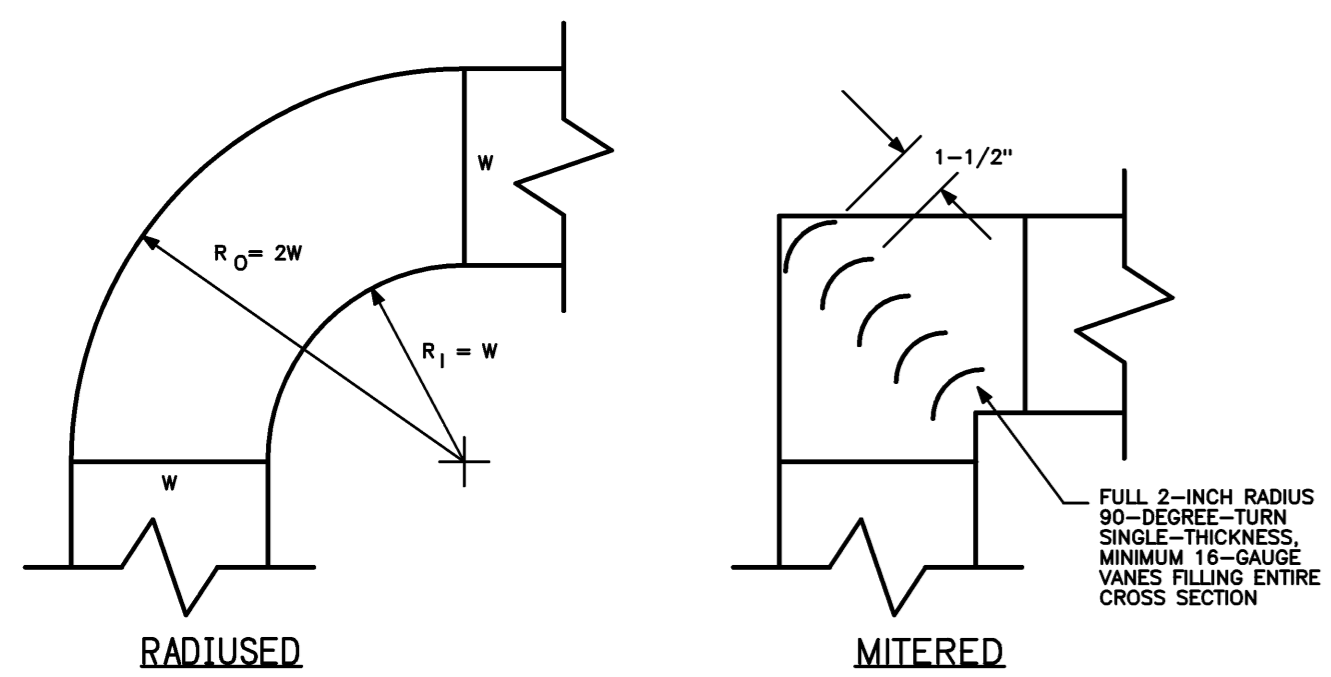
PLAN VIEW

INSULATED SUPPLY AND RETURN DUCTWORK SHALL INSTALLED WITH STAND-OFF MOUNTING BRACKETS FOR VOLUME/BALANCING DAMPER OPERATORS. ALLOW CLEARANCE BETWEEN DUCT AND OPERATOR OF NOT LESS THAN INSULATION THICKNESS.

TYPICAL BRANCH DUCT TAKE-OFF DETAIL

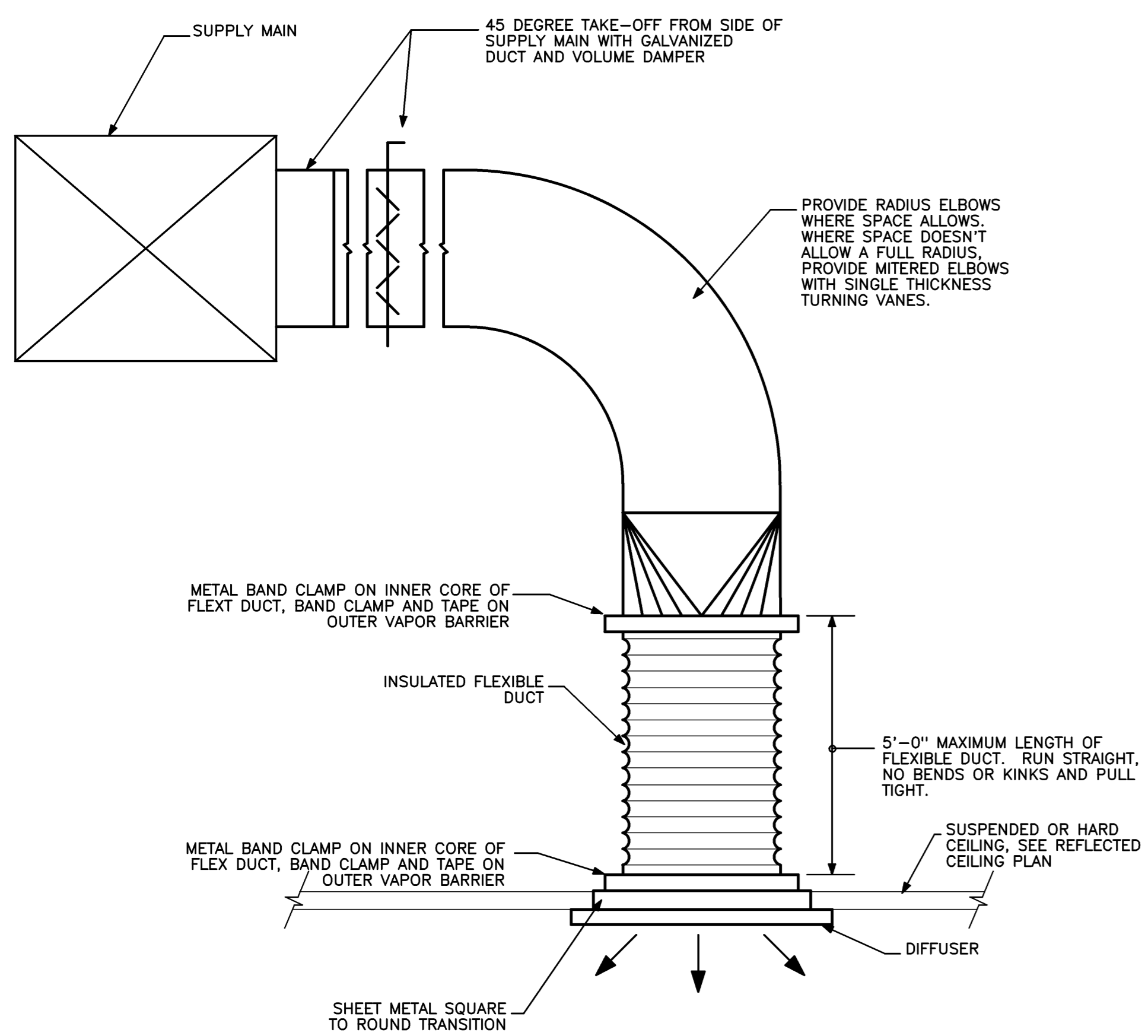
NO SCALE

USE MITERED ONLY WHERE SPACE IS TOO TIGHT FOR RADIUS. WHERE SPACE ALLOWS, A HALF-RADIUSED ( $R_1 = 1/2 W$ ) MAY BE USED INSTEAD OF MITERED.



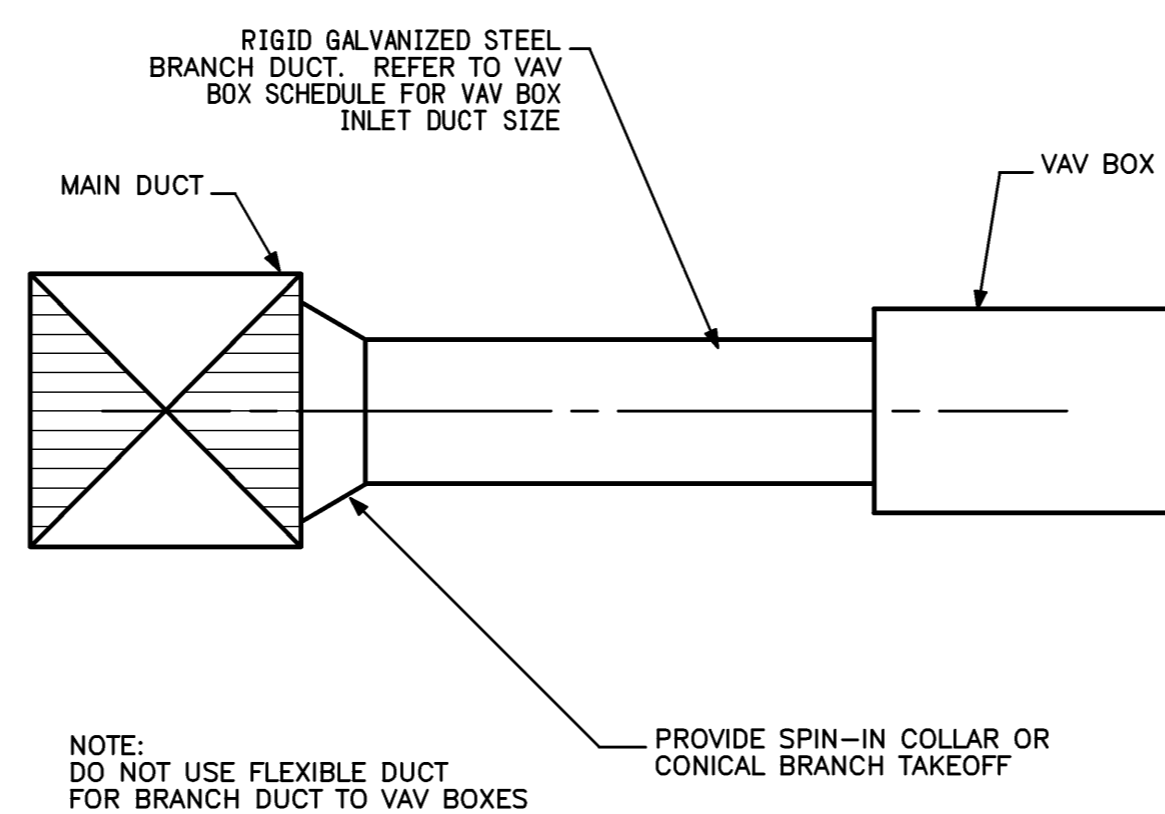
DUCT ELBOW DETAILS

NO SCALE



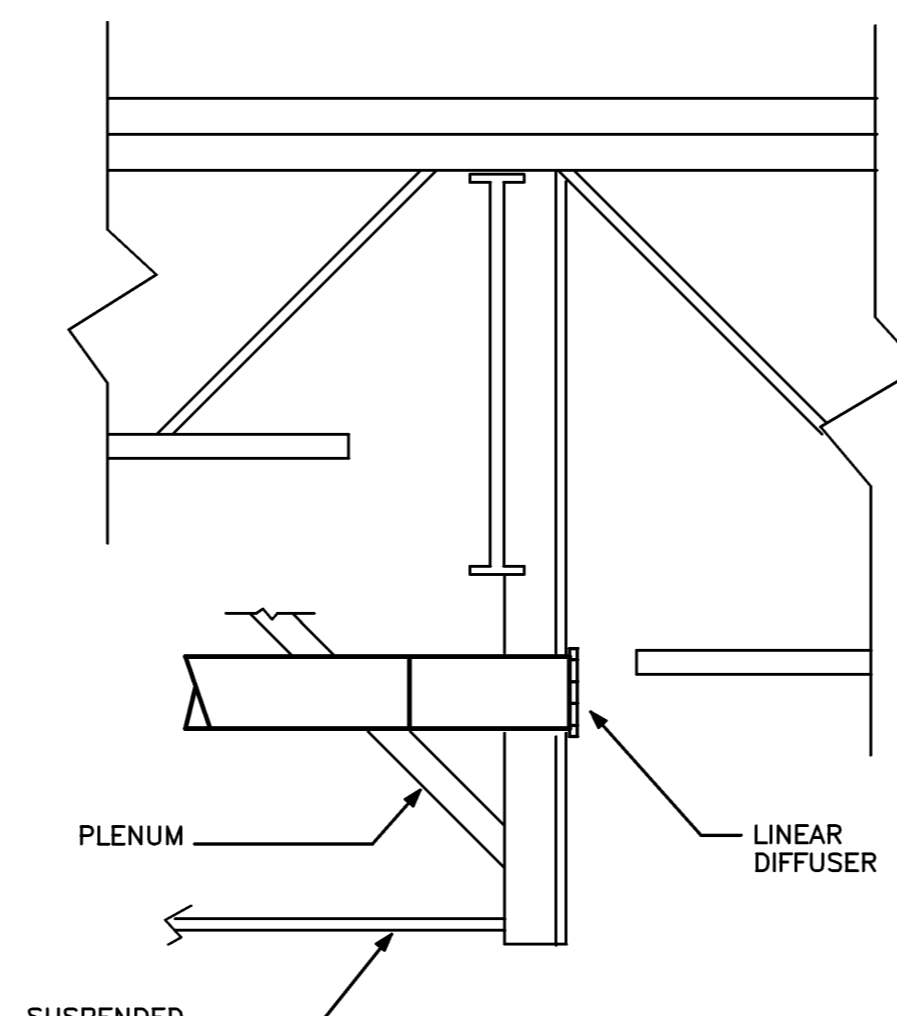
TYPICAL FLEXIBLE DUCT DETAIL

NO SCALE



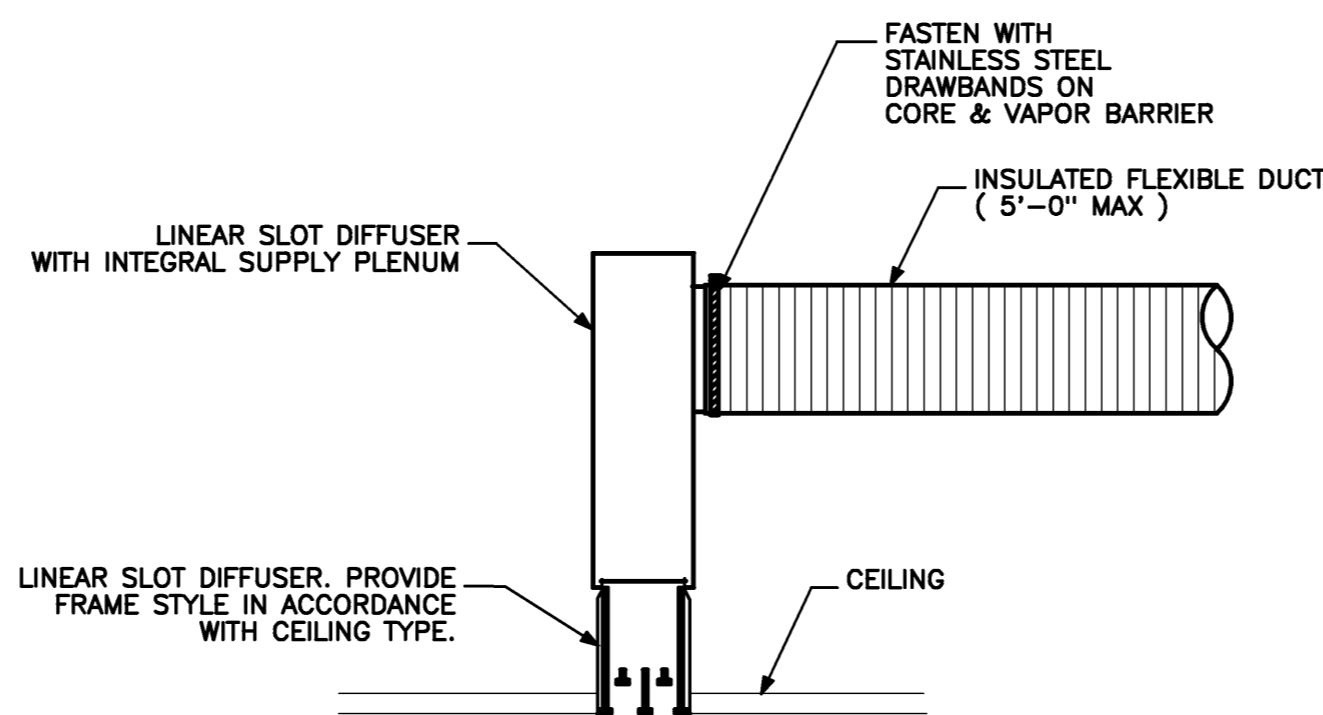
TYPICAL VAV BOX CONNECTION DETAIL

NO SCALE



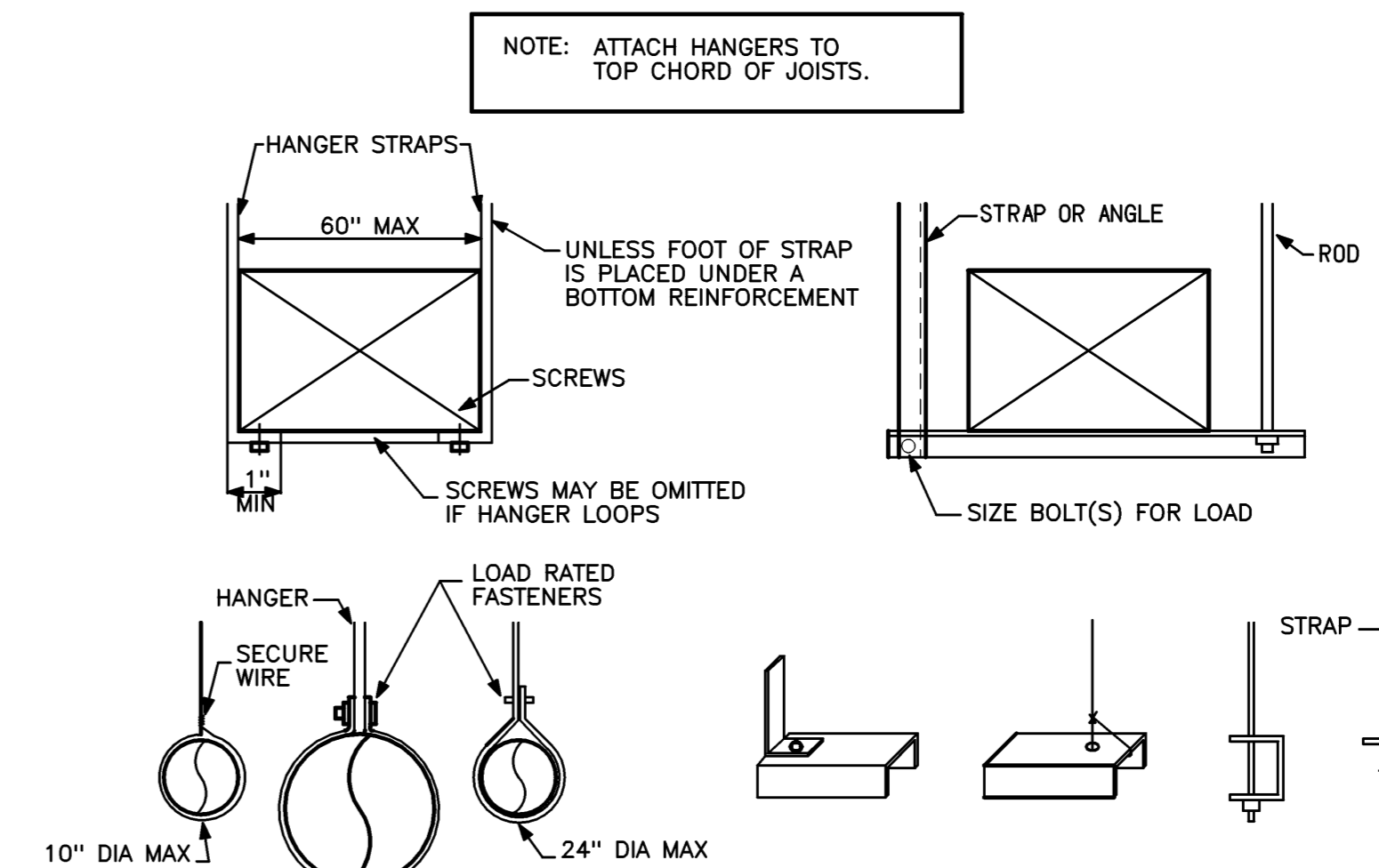
LINEAR DIFFUSER DETAIL

NO SCALE



LINEAR SLOT DIFFUSER DETAIL

NO SCALE

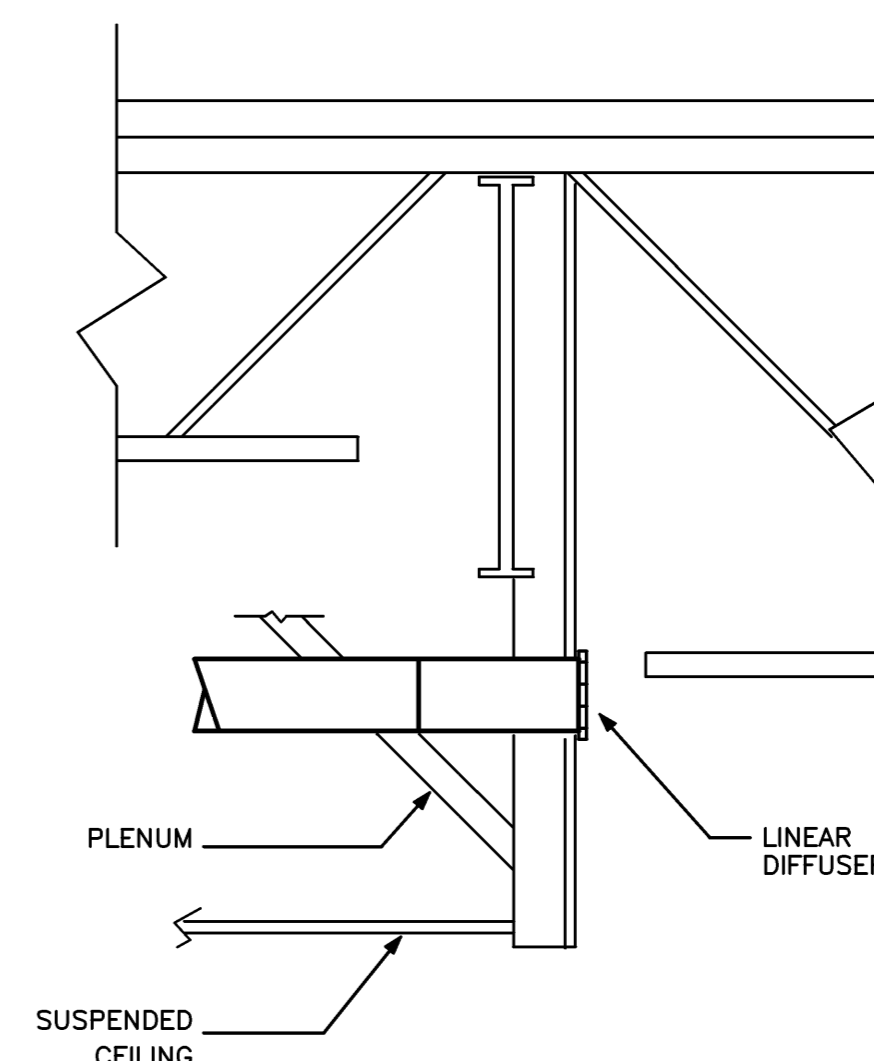


STRAP HANGERS

TRAPEZE HANGERS

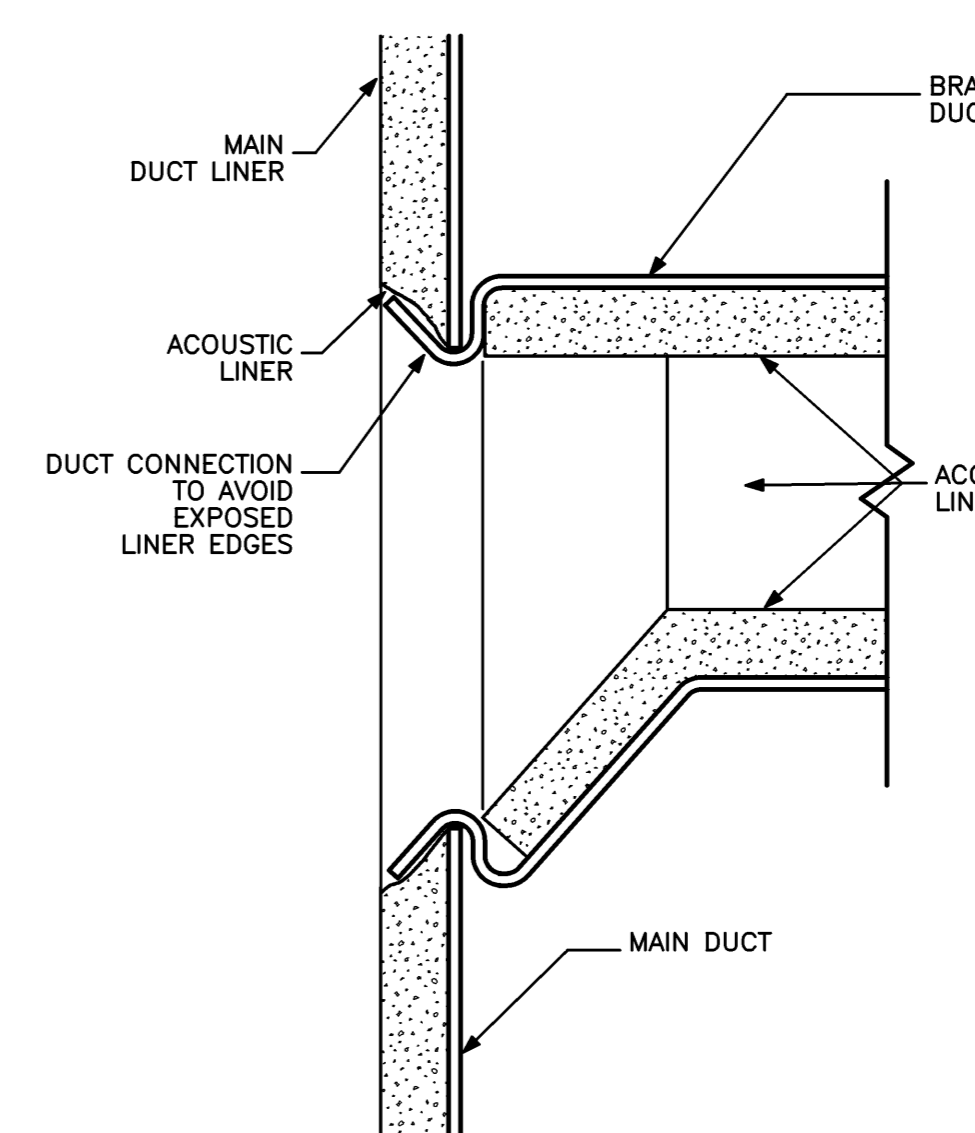
LOWER HANGER ATTACHMENT DETAILS

NO SCALE



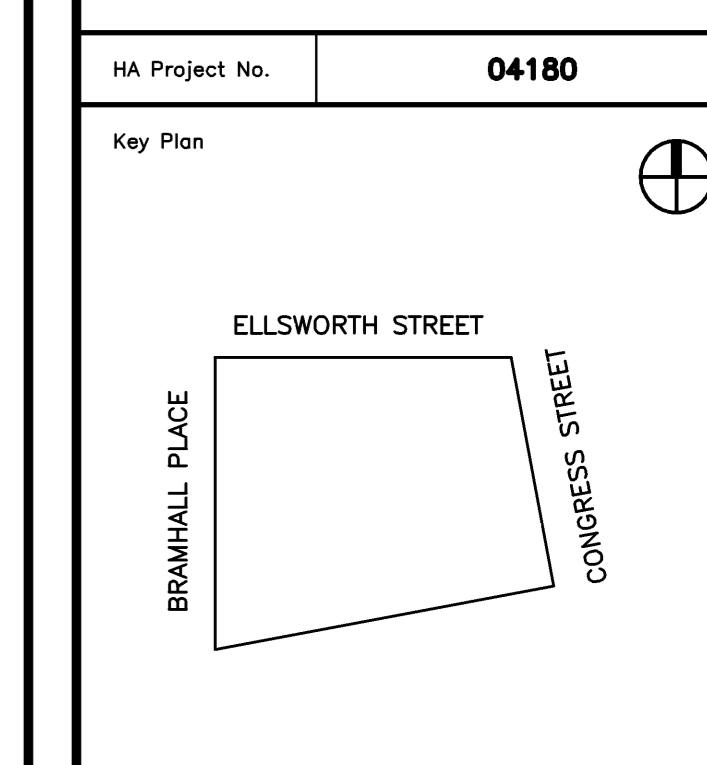
LINEAR DIFFUSER DETAIL

NO SCALE



LINED DUCT CONNECTION DETAILS

NO SCALE



Mark	Date	Description
-	04-28-05	ISSUED FOR BID
-	04-11-05	100% REVIEW
-	01-10-05	DD REVIEW

Drawing Status