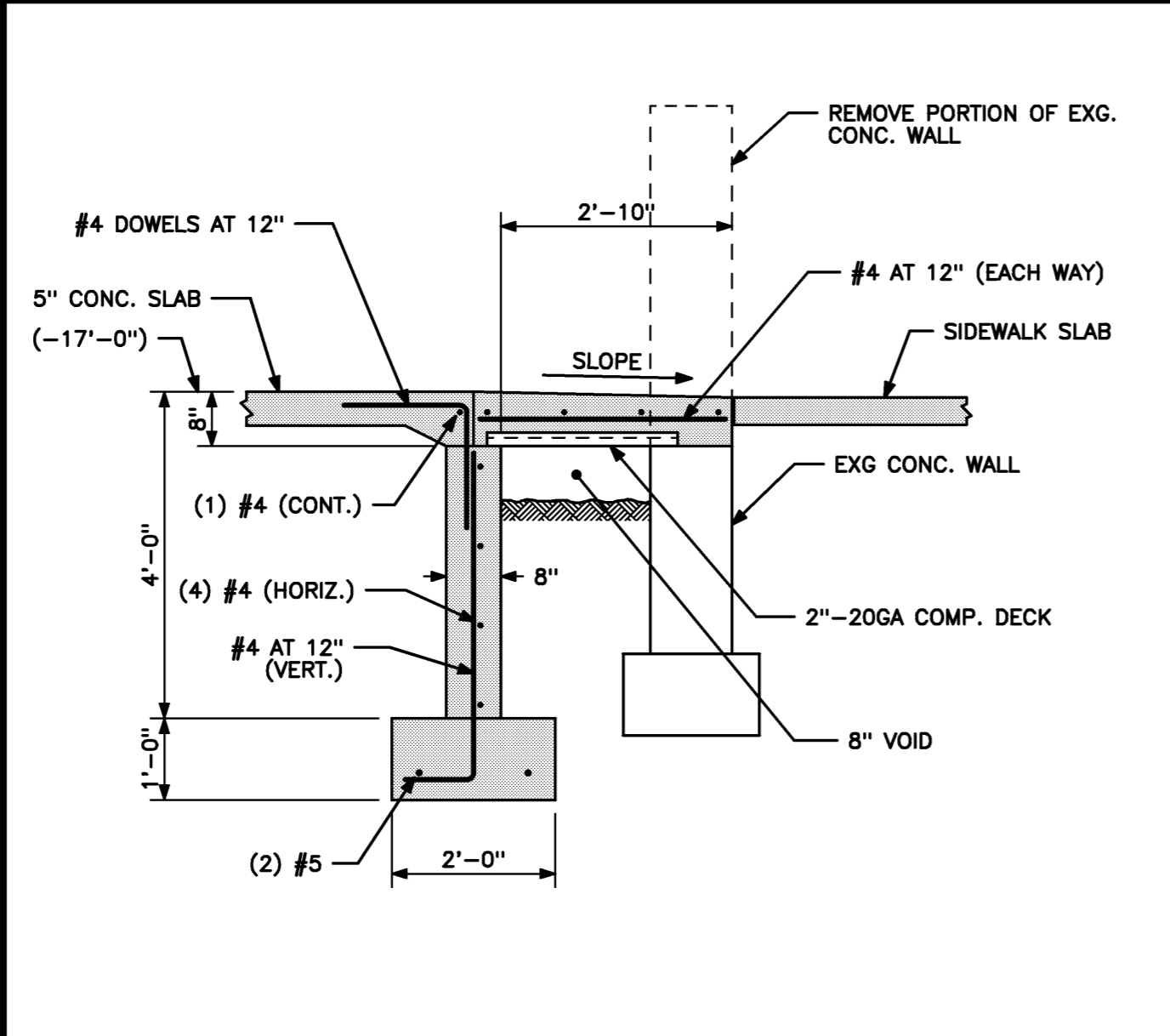
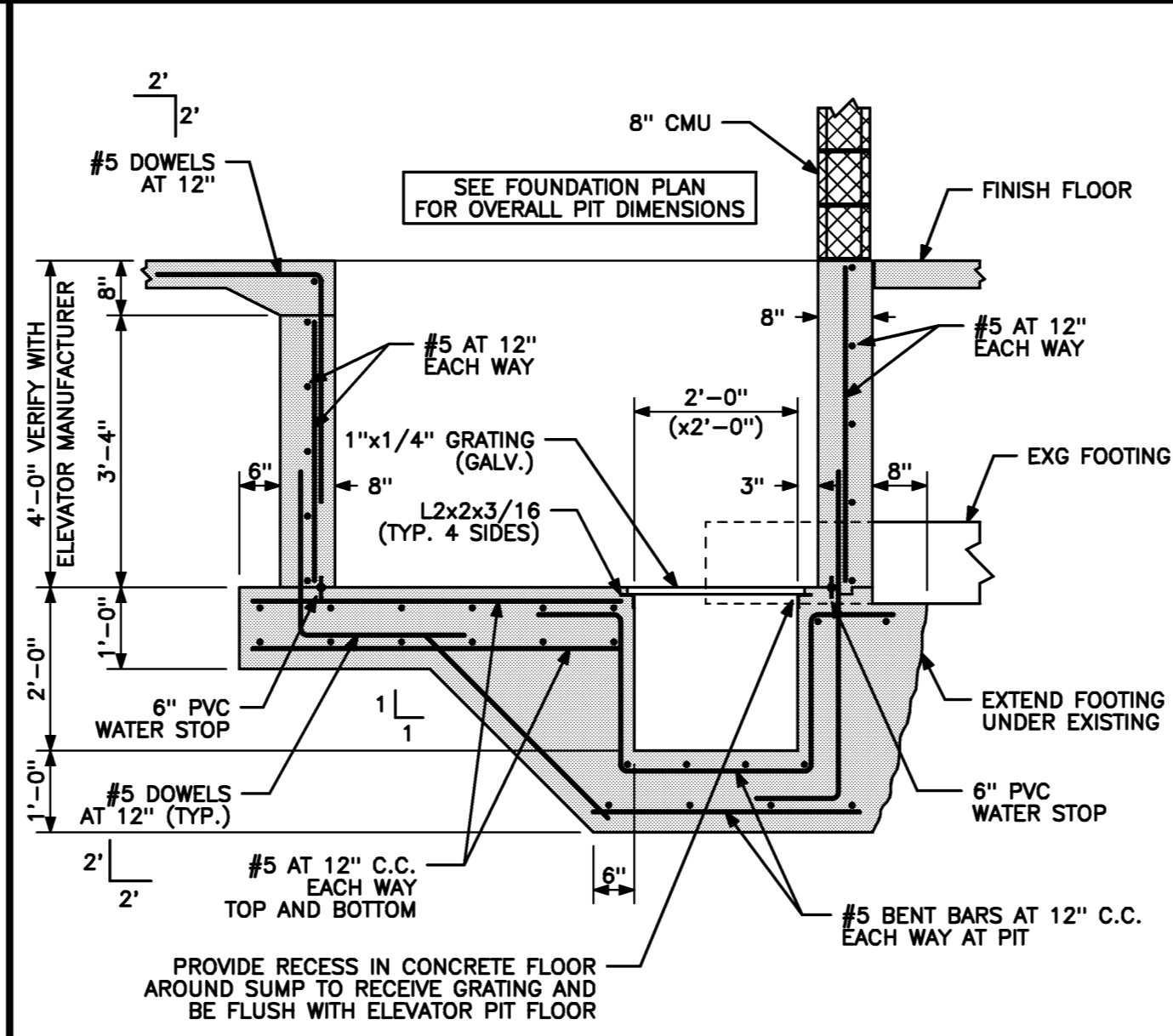


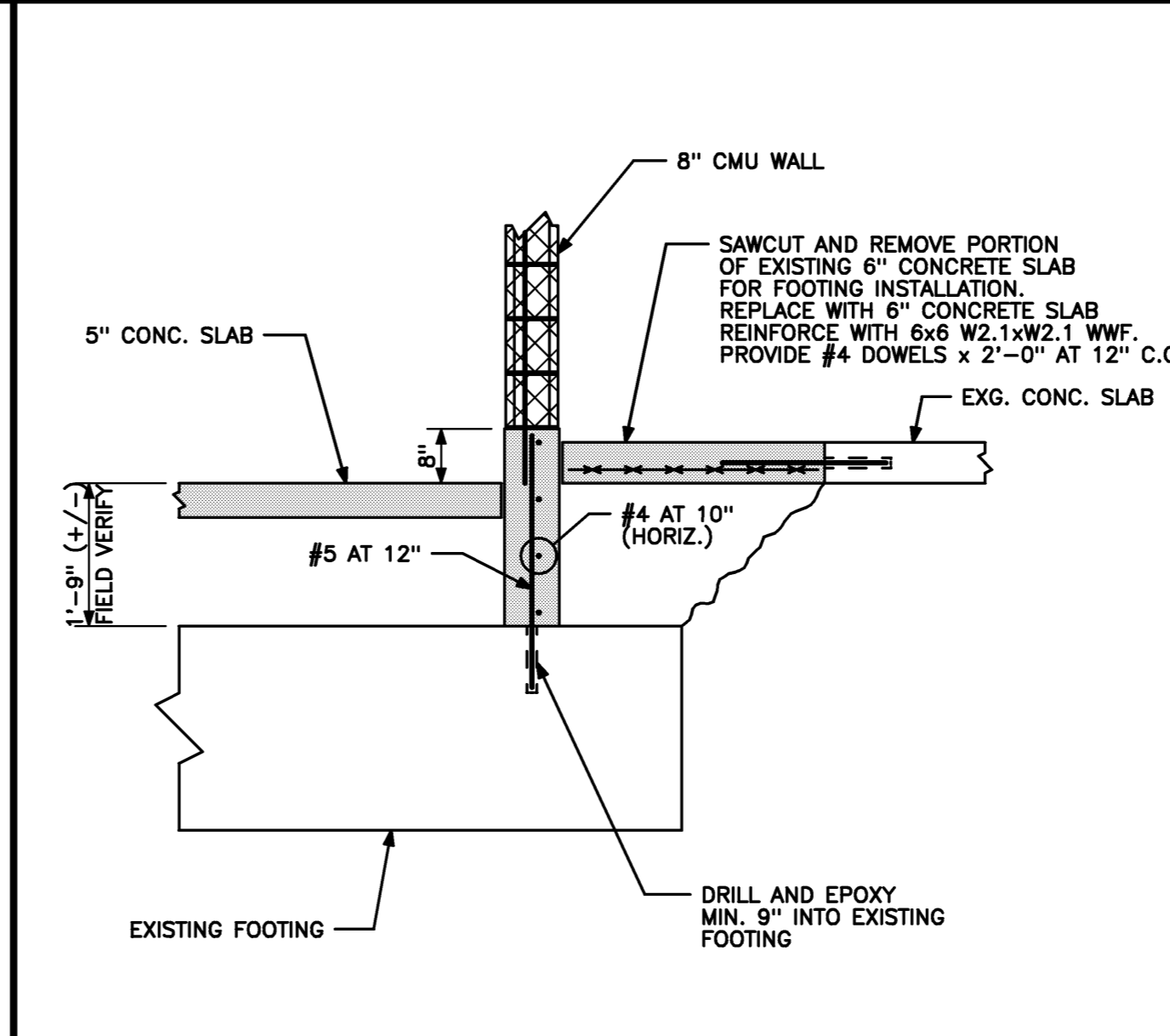
SECTION 1/2" = 1'-0" REF: S10.1 **C3** SECTION 1/2" = 1'-0" REF: S10.1 **C2** SECTION 1/2" = 1'-0" REF: S10.1 **C1**



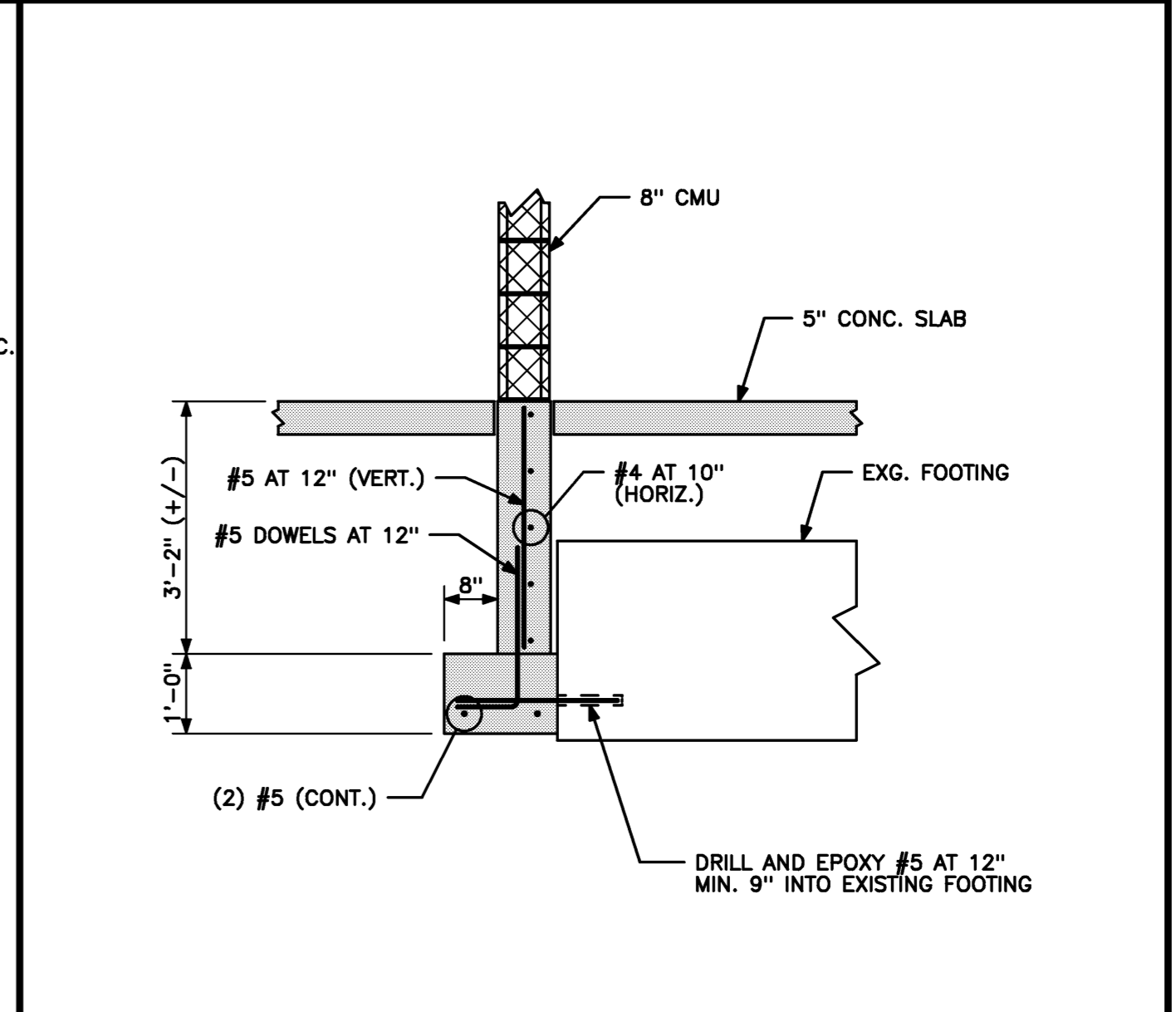
SECTION 1/2" = 1'-0" REF: S10.1 **B4**



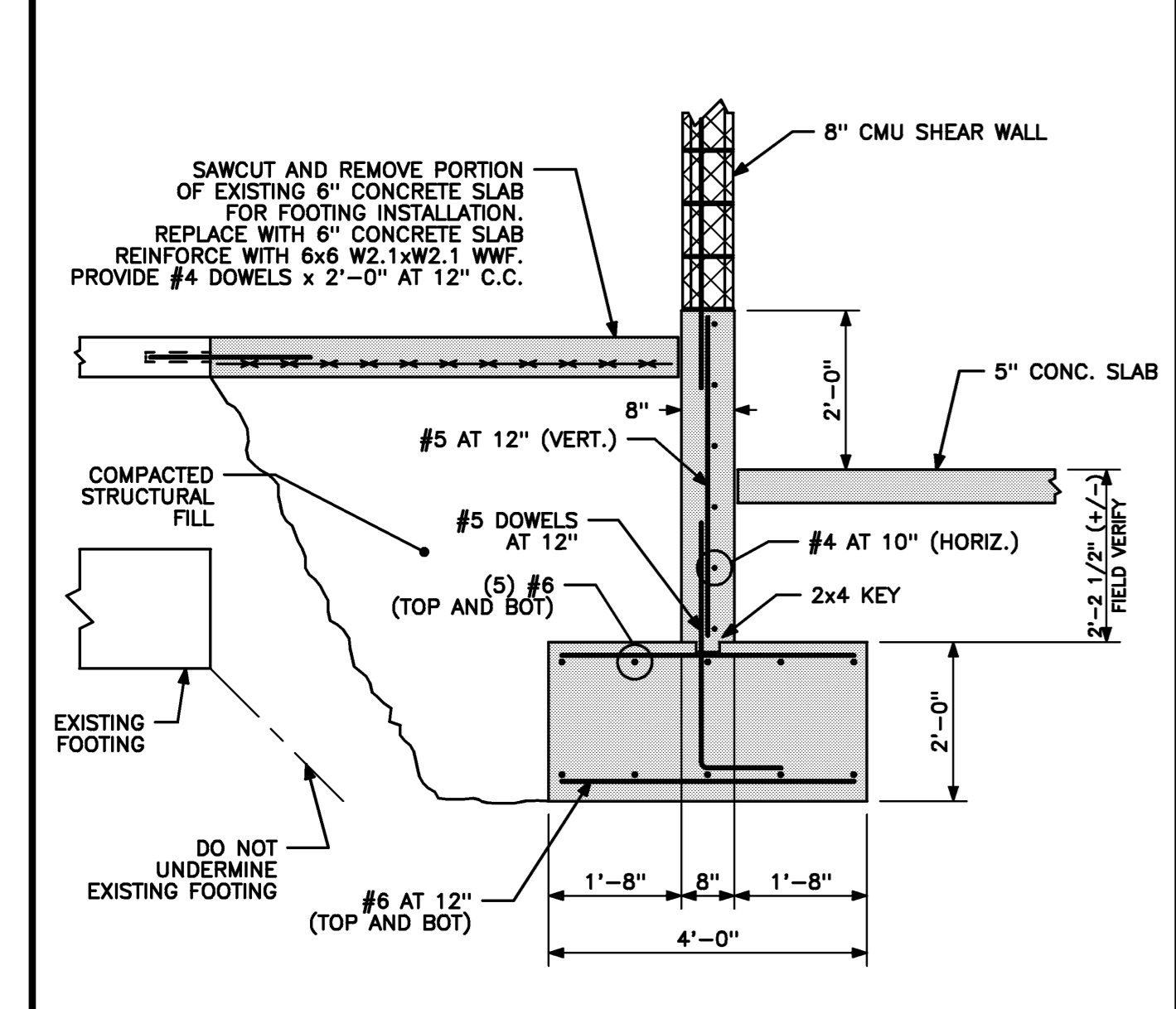
SECTION 1/2" = 1'-0" REF: S10.1 **B3**



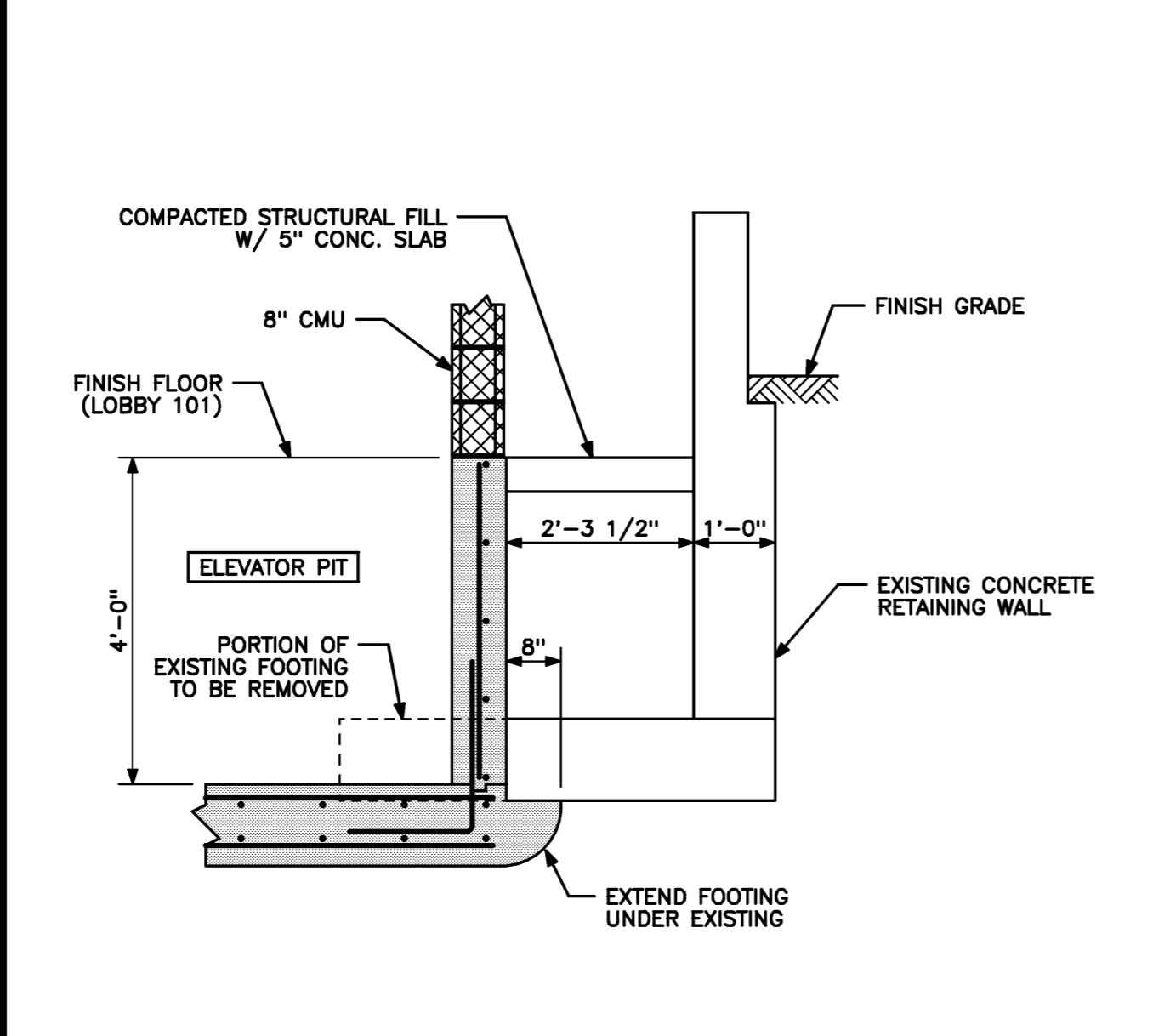
SECTION 1/2" = 1'-0" REF: S10.1 **B2**



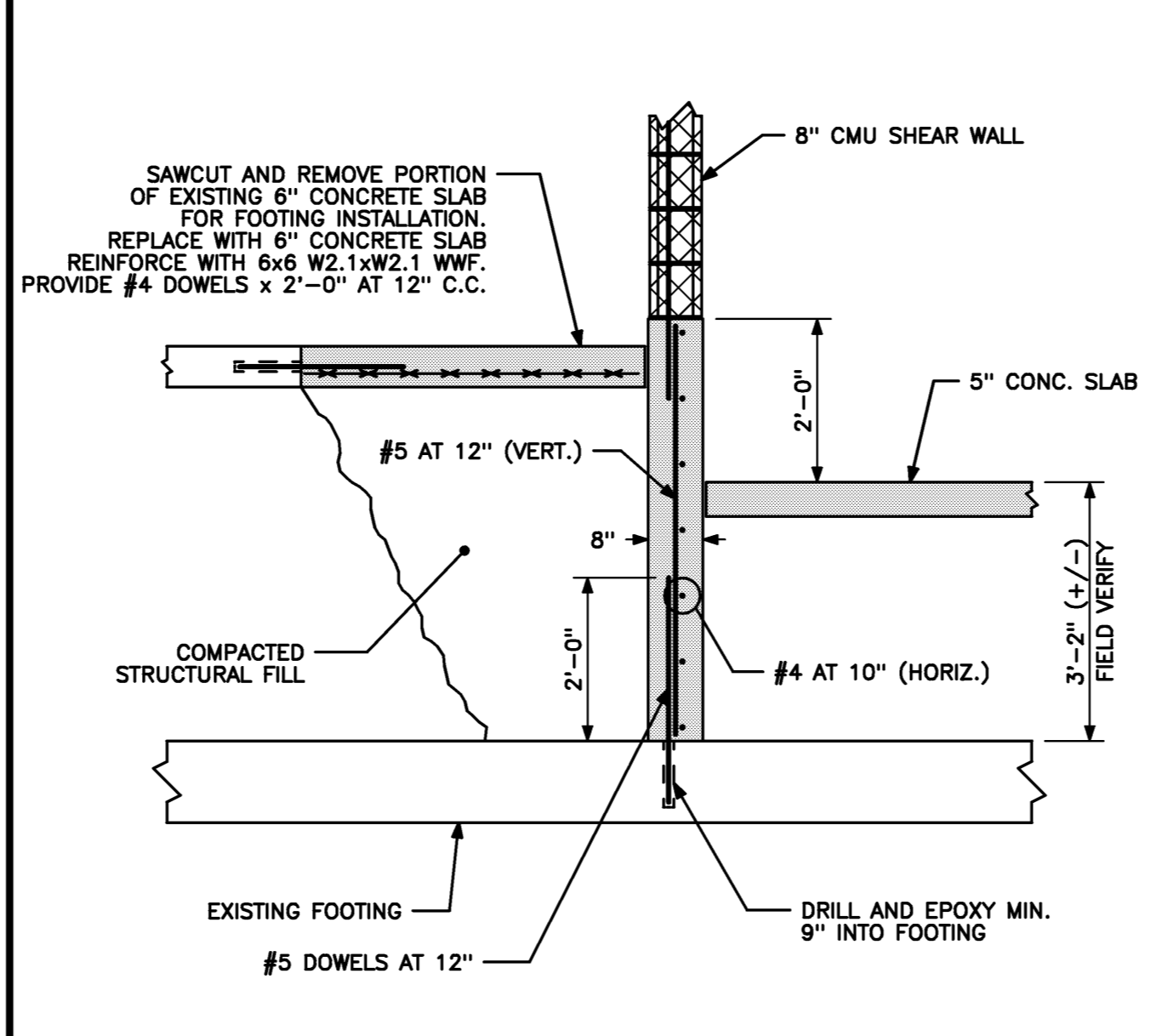
SECTION 1/2" = 1'-0" REF: S10.1 **B1**



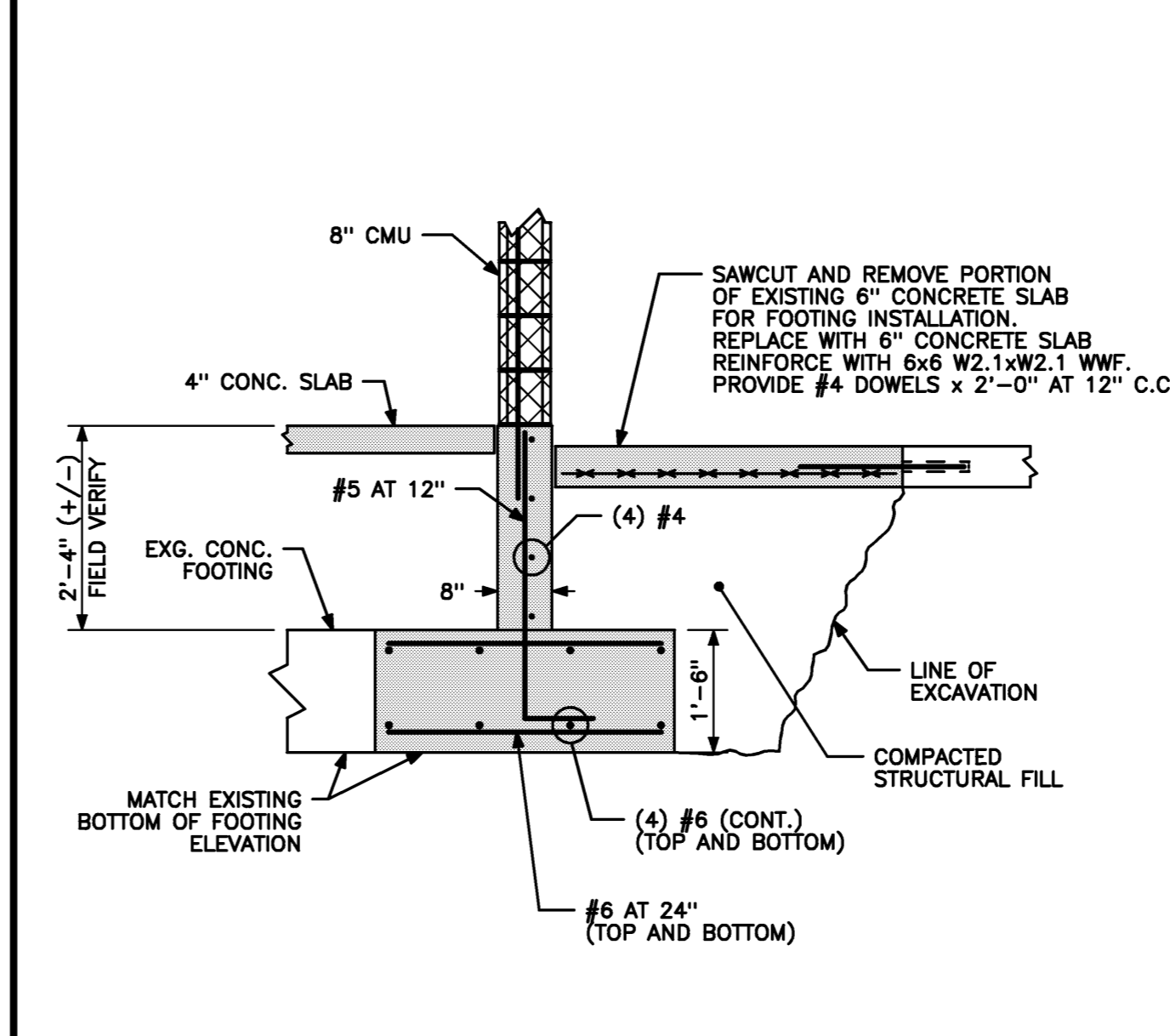
SECTION 1/2" = 1'-0" REF: S10.1 **A5**



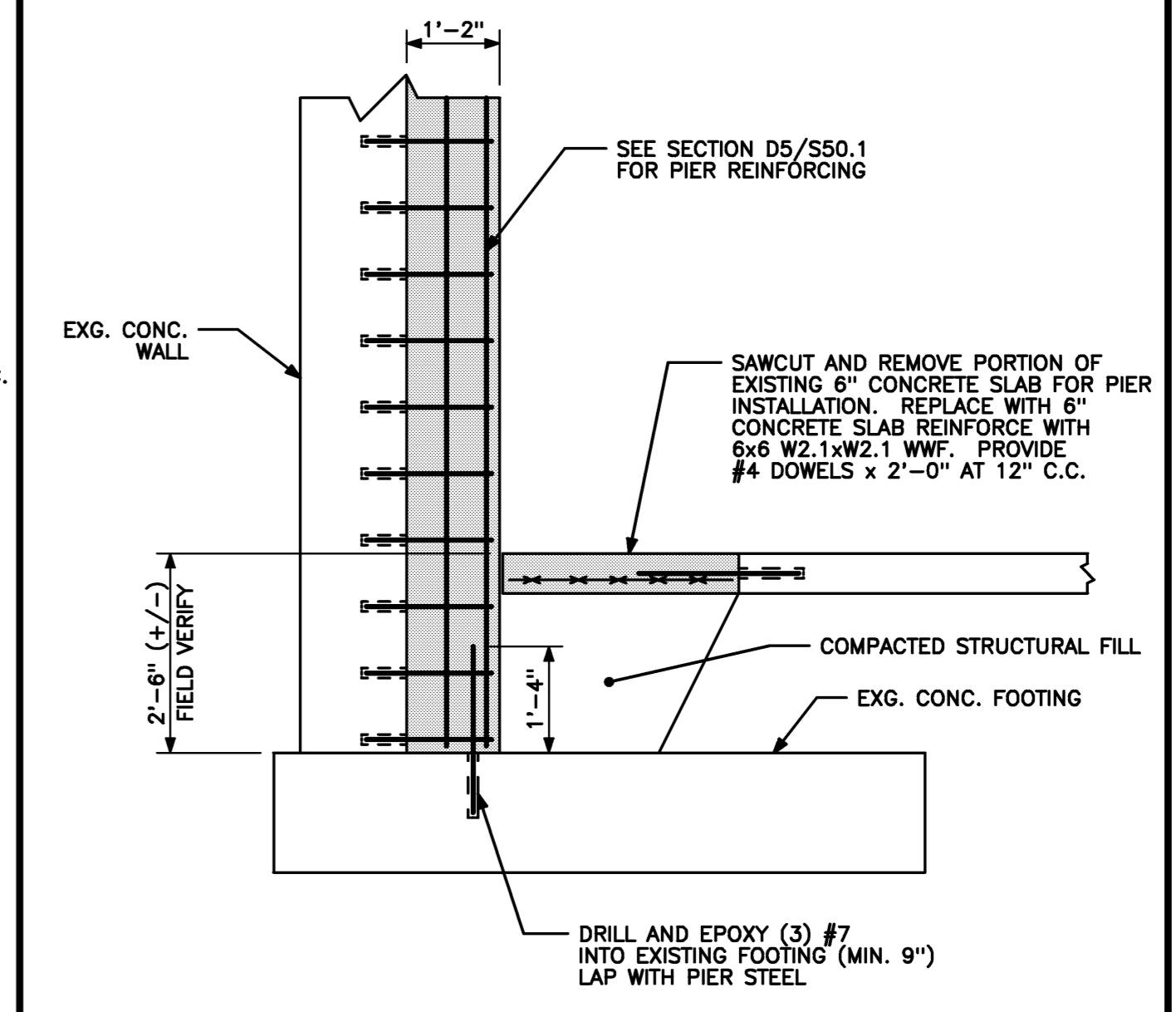
SECTION 1/2" = 1'-0" REF: S10.1 **A4**



SECTION 1/2" = 1'-0" REF: S10.1 **A3**



SECTION 1/2" = 1'-0" REF: S10.1 **A2**



SECTION 1/2" = 1'-0" REF: S10.1 **A1**

Mark	Date	Description
-	04-28-05	ISSUED FOR BID
-	04-11-05	100% REVIEW
Issue Dates		

Drawing Status

Drawing Title
FOUNDATION DETAILS

PA / PE: **BKB** Drawn By: **MRM**

Drawing Number

S50.2