

# Maine Heart Surgical Associates New Office Building

Portland, ME

Project Number **04180**

Key Plan

General Notes:

No.	Description	Date
	ISSUED FOR BID	4-28-05

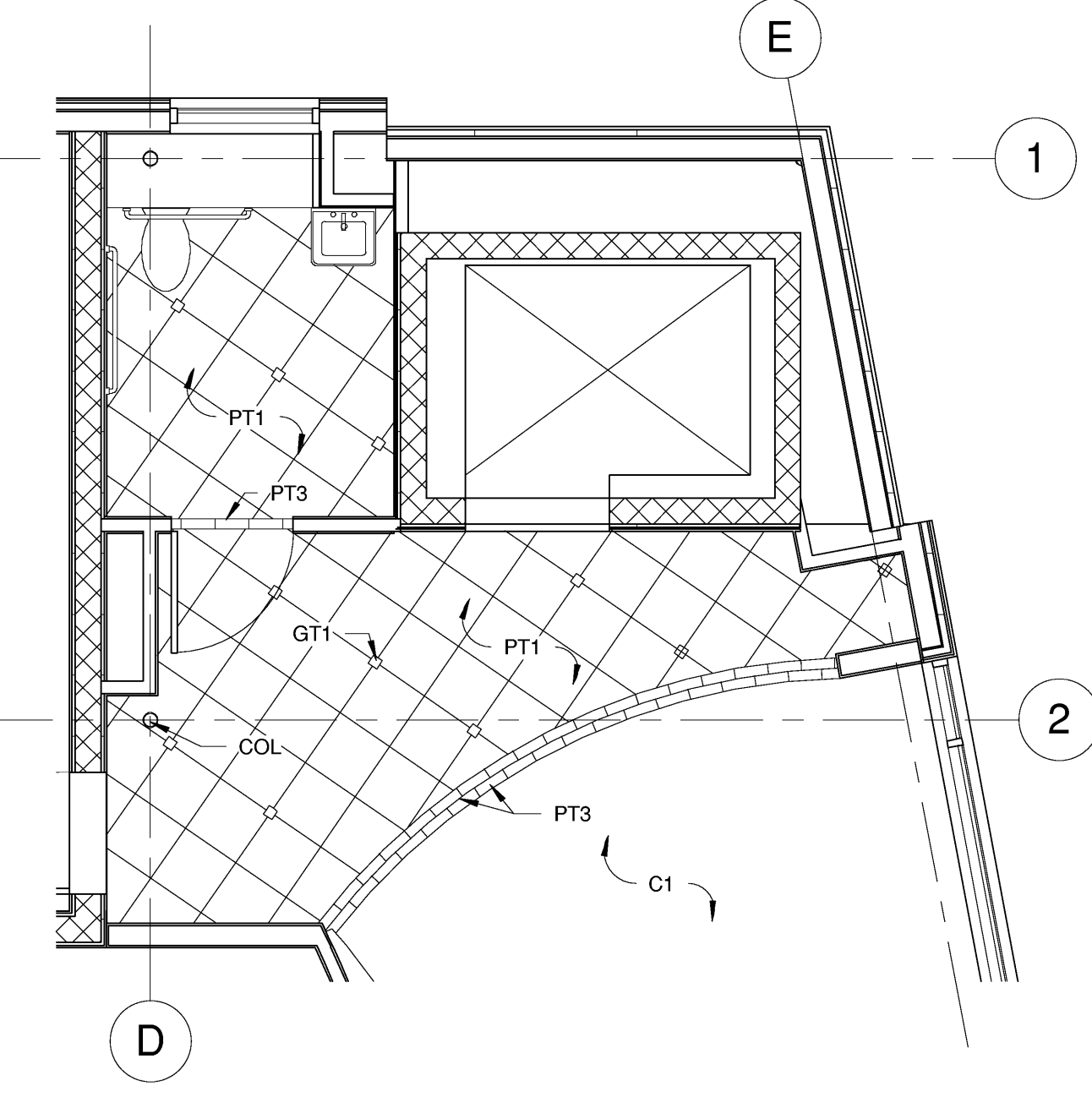
Drawing Status:

## Millwork Details

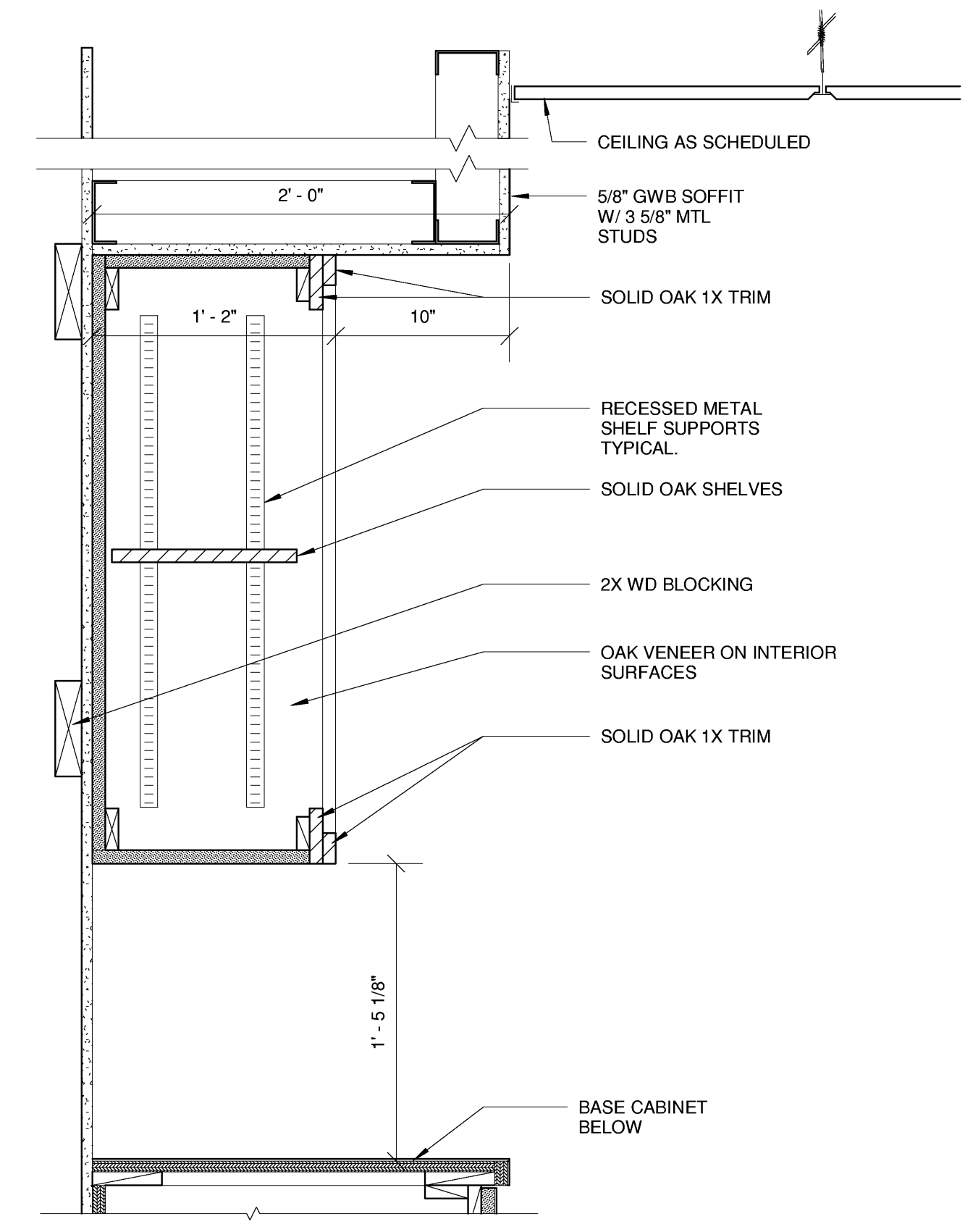
Issue Date: **04-28-05**  
 Drawn By: **JGJ**  
 PA / PE: **PSC**

# A83.1

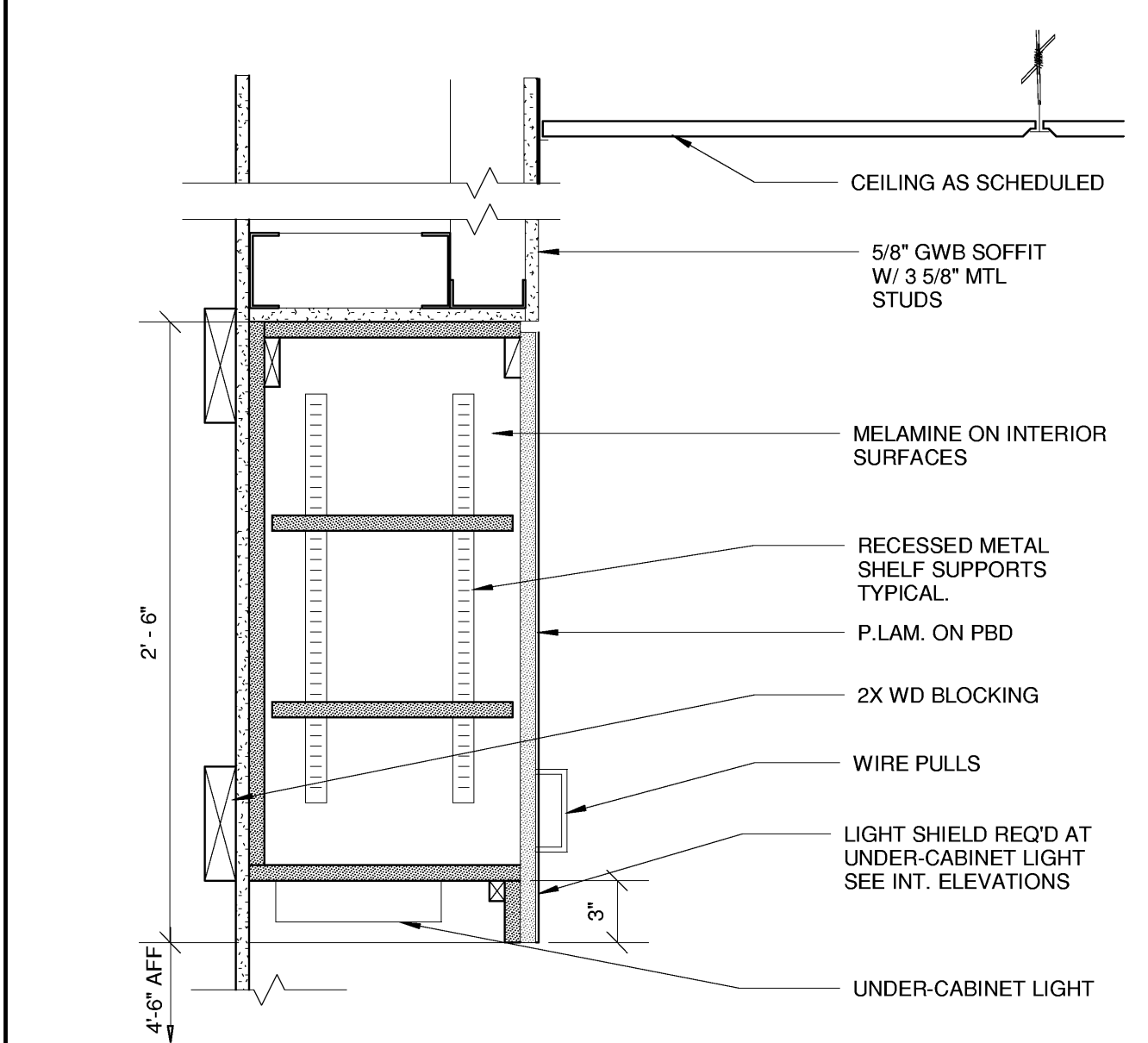
Scale: **As indicated**



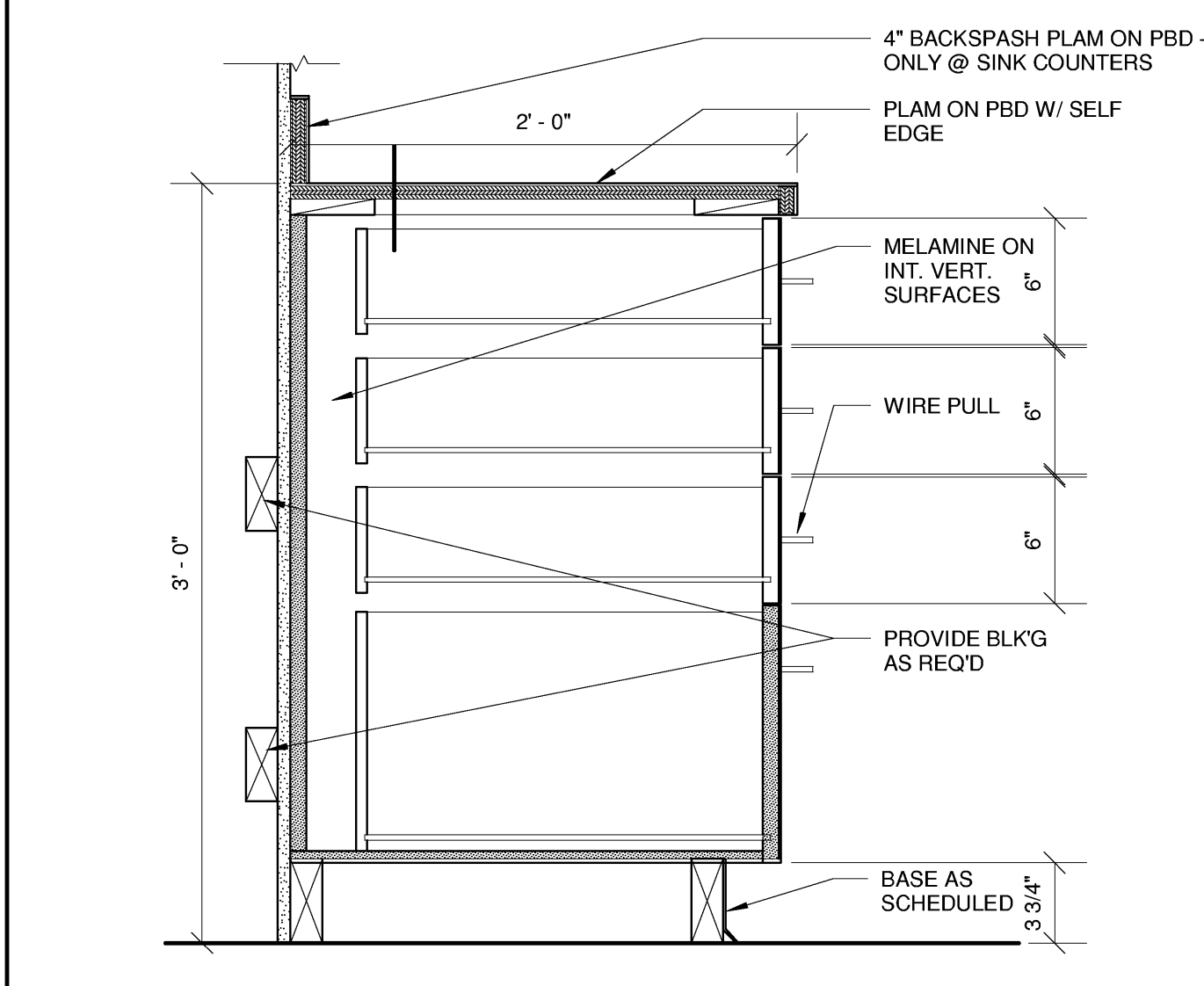
**1** FLOOR PATTERN PLAN @ LOBBY 303  
1/4" = 1'-0"



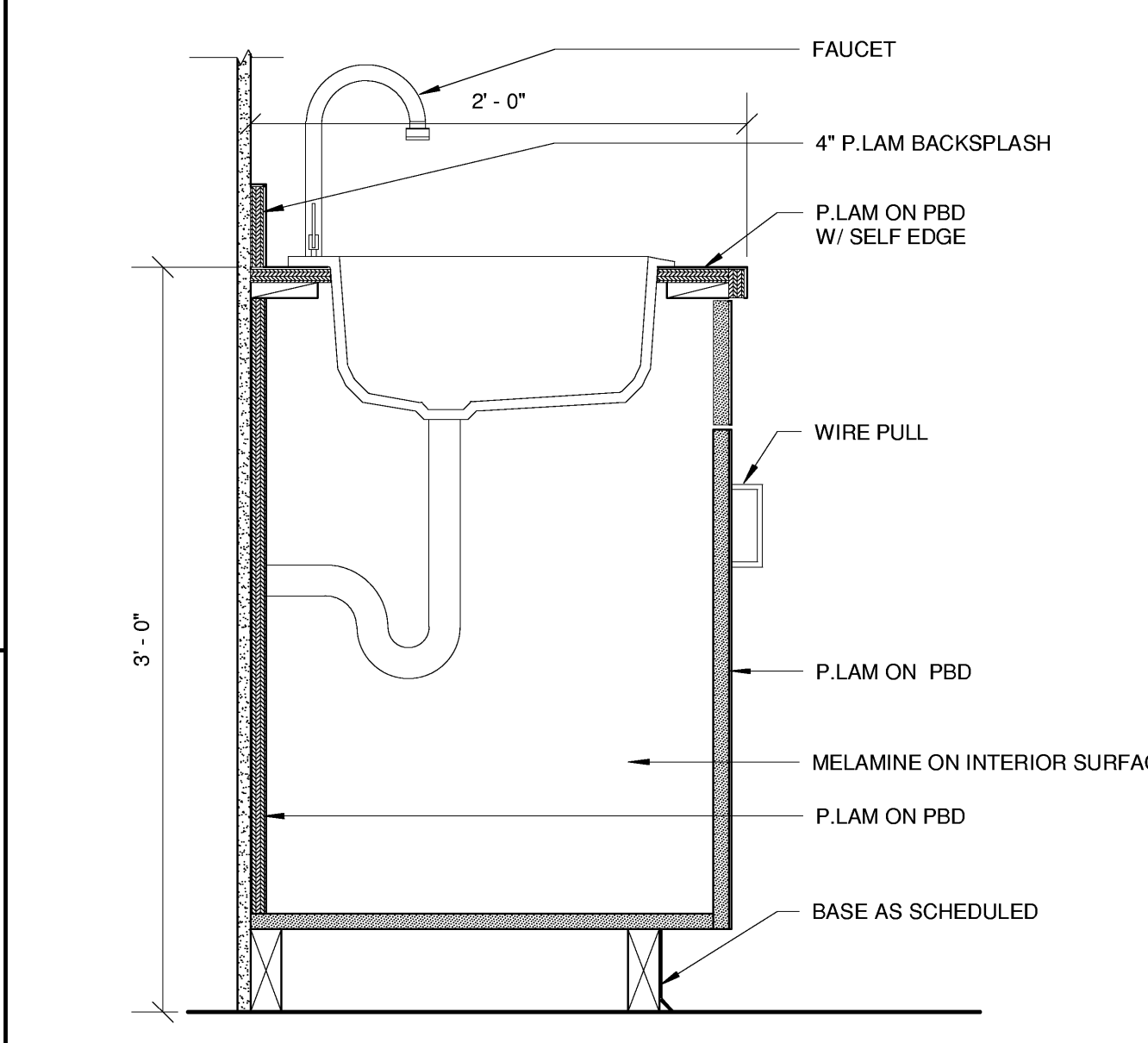
**C3** MILLWORK DETAIL  
1 1/2" = 1'-0"



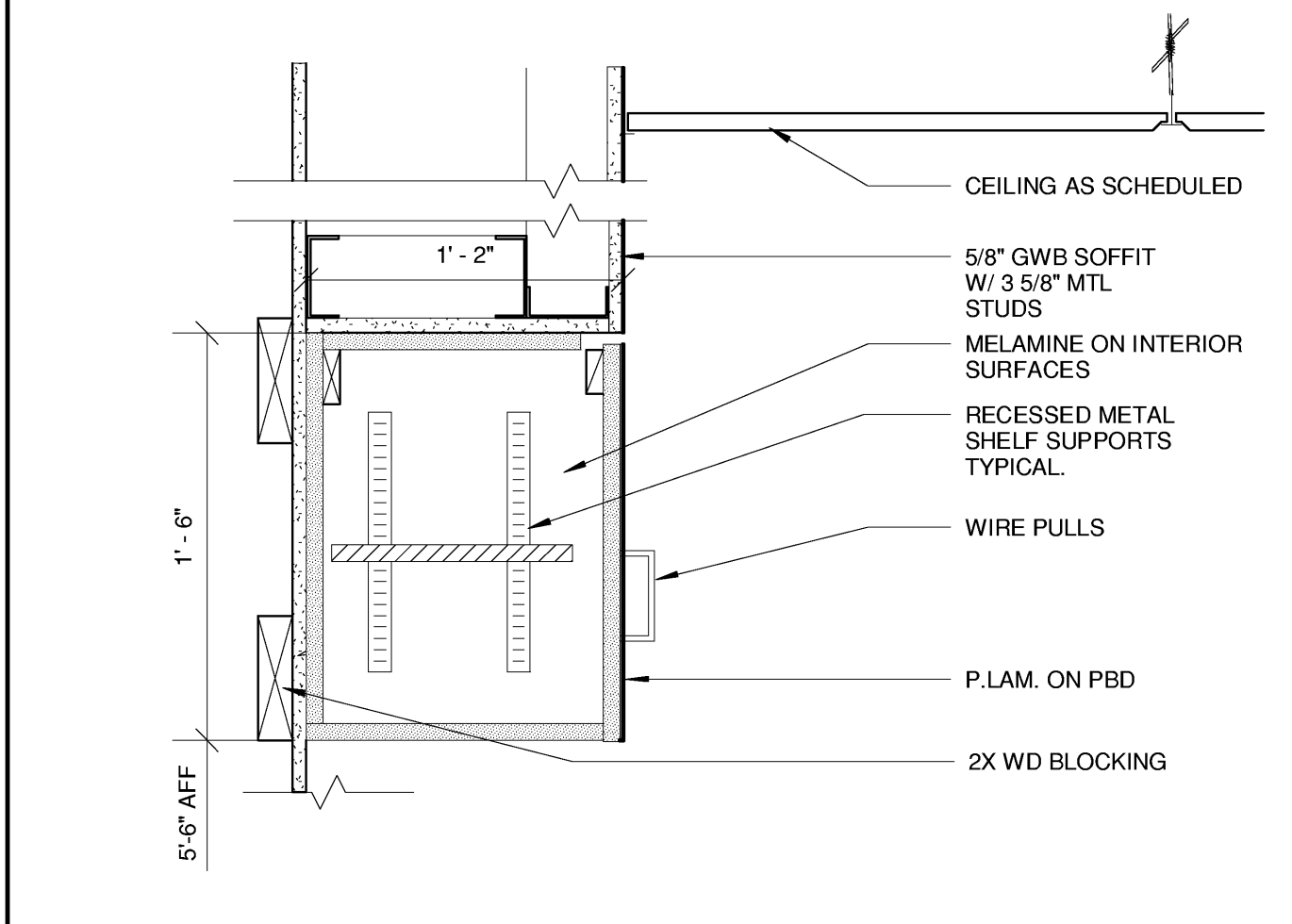
**D2** MILLWORK DETAIL  
1 1/2" = 1'-0"



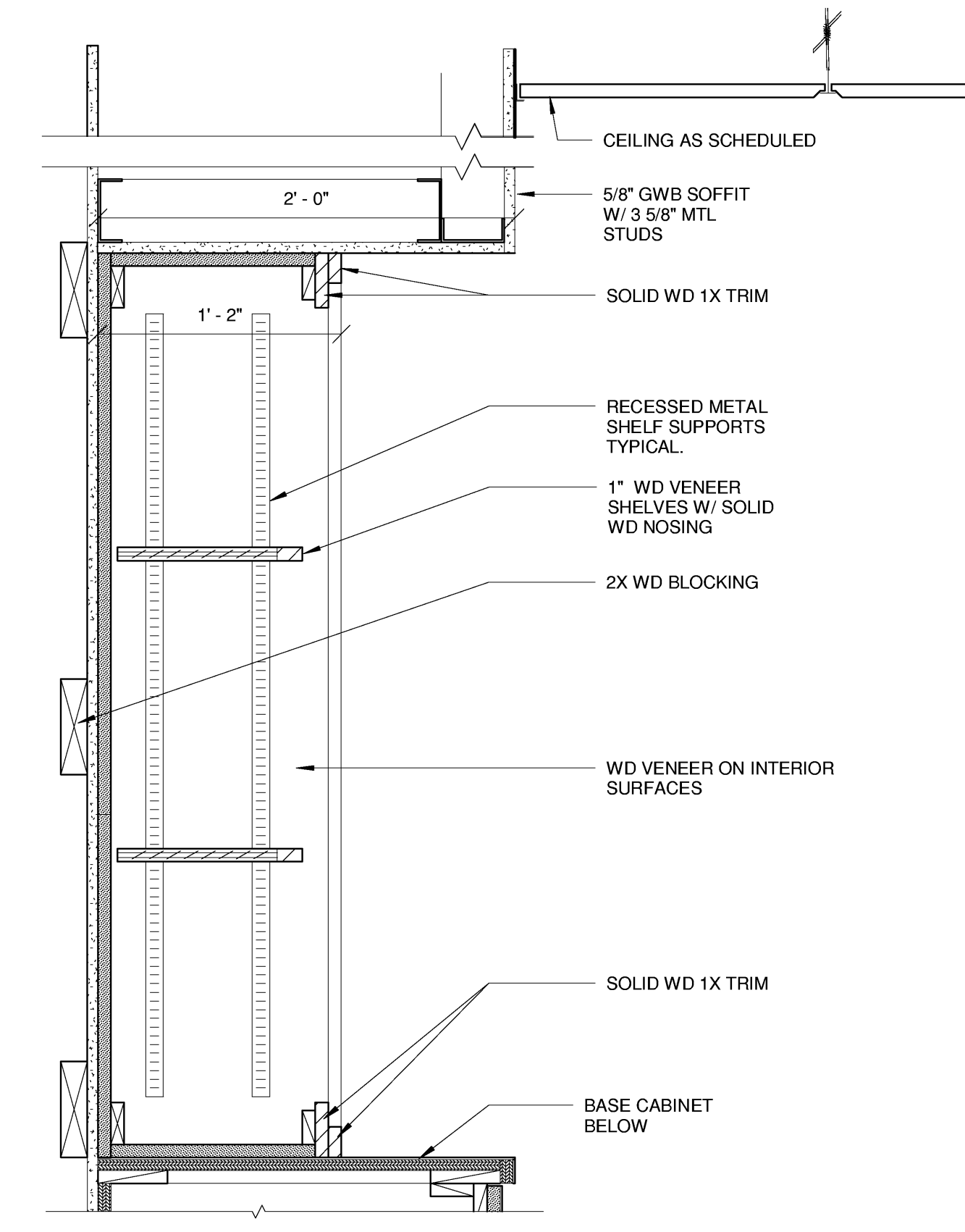
**D1** MILLWORK DETAIL  
1 1/2" = 1'-0"



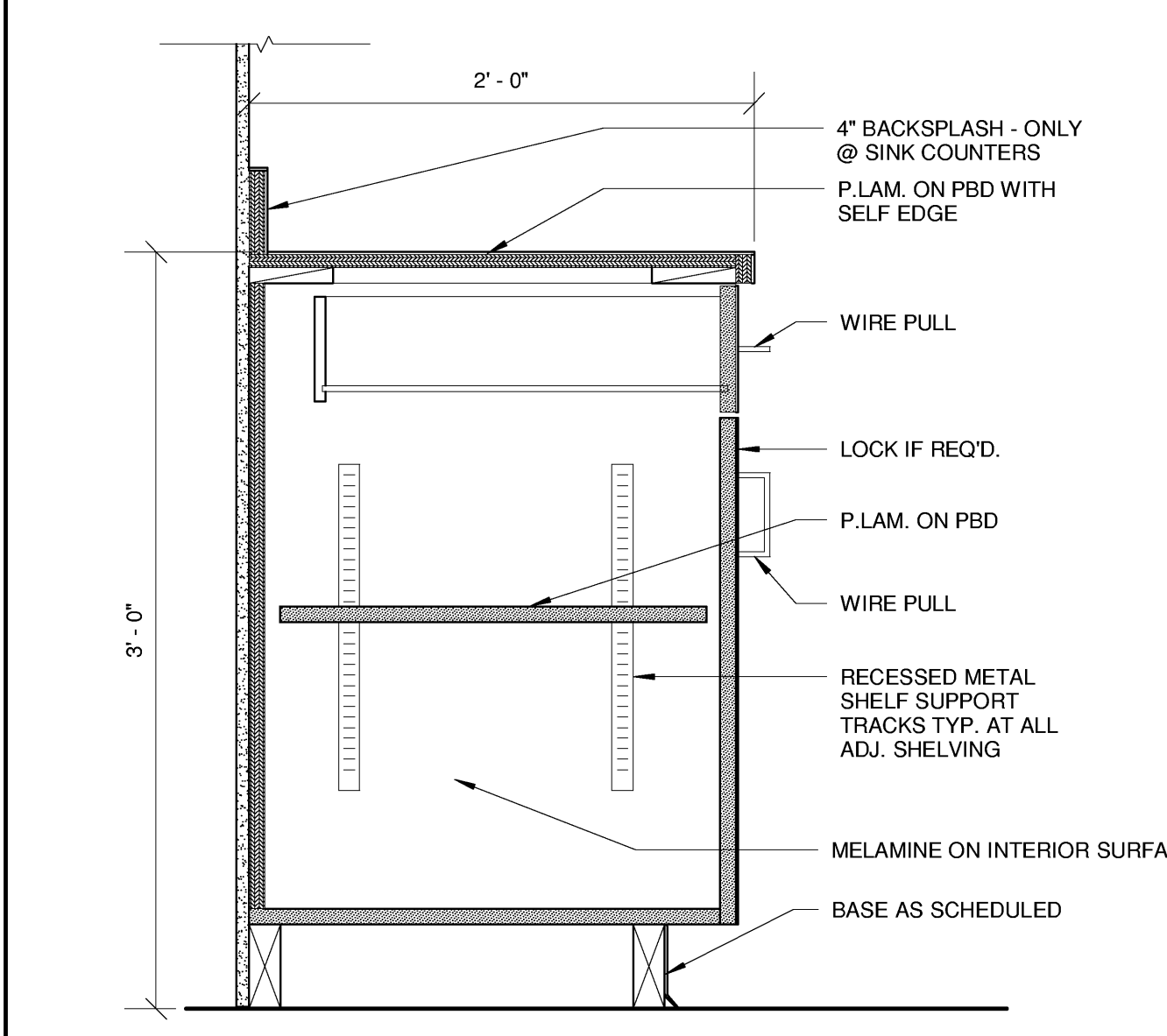
**C2** MILLWORK DETAIL  
1 1/2" = 1'-0"



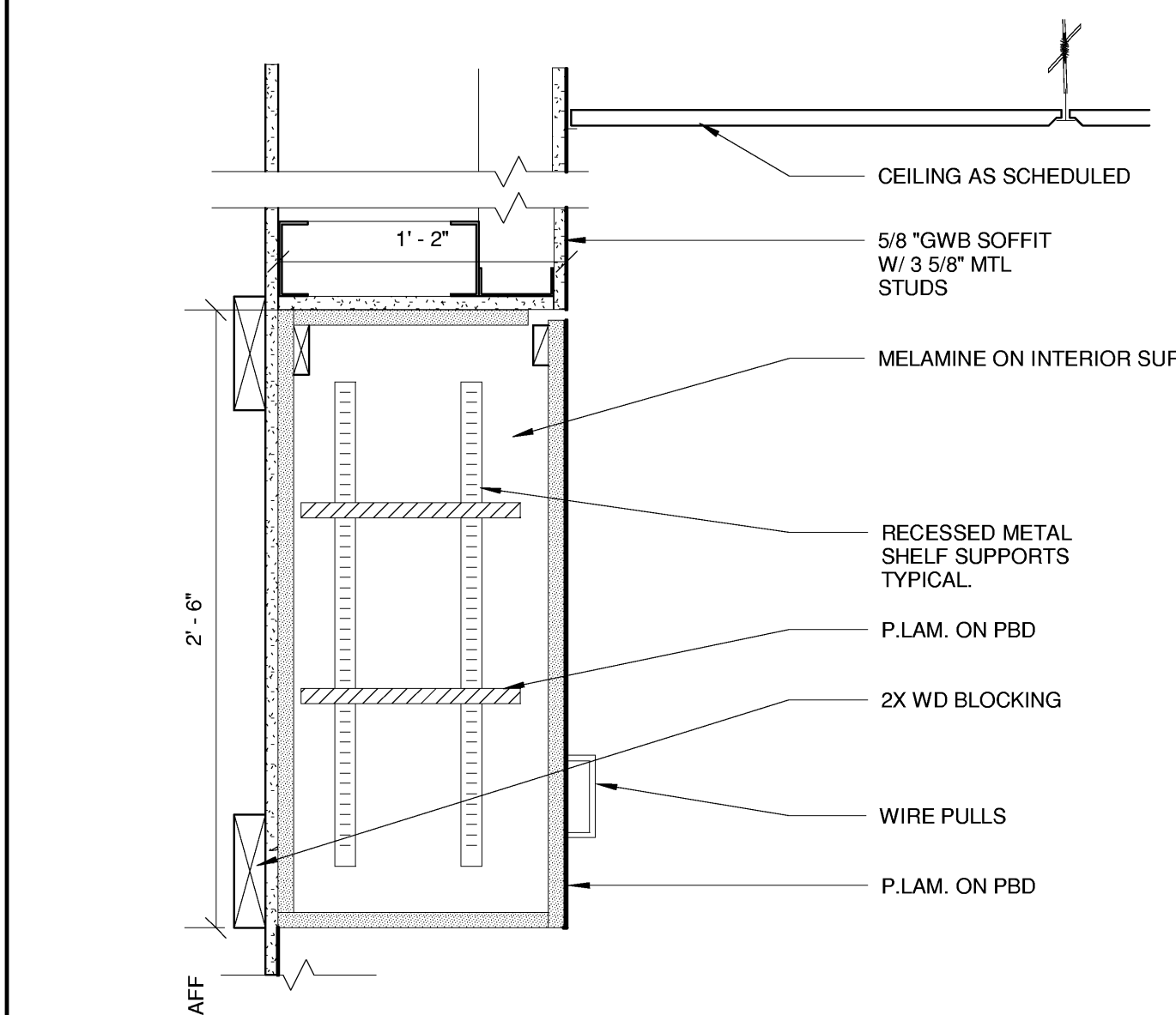
**C1** MILLWORK DETAIL  
1 1/2" = 1'-0"



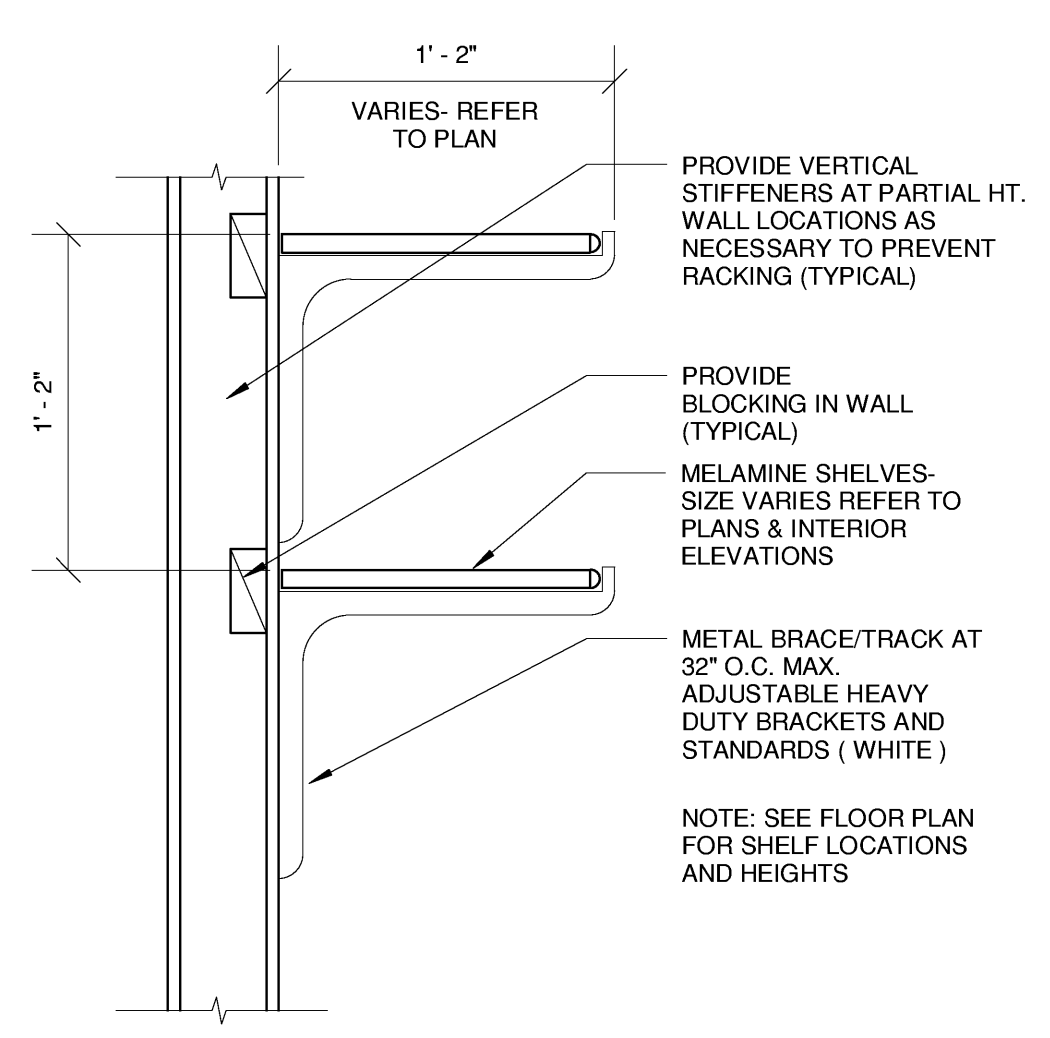
**B3** MILLWORK DETAIL  
1 1/2" = 1'-0"



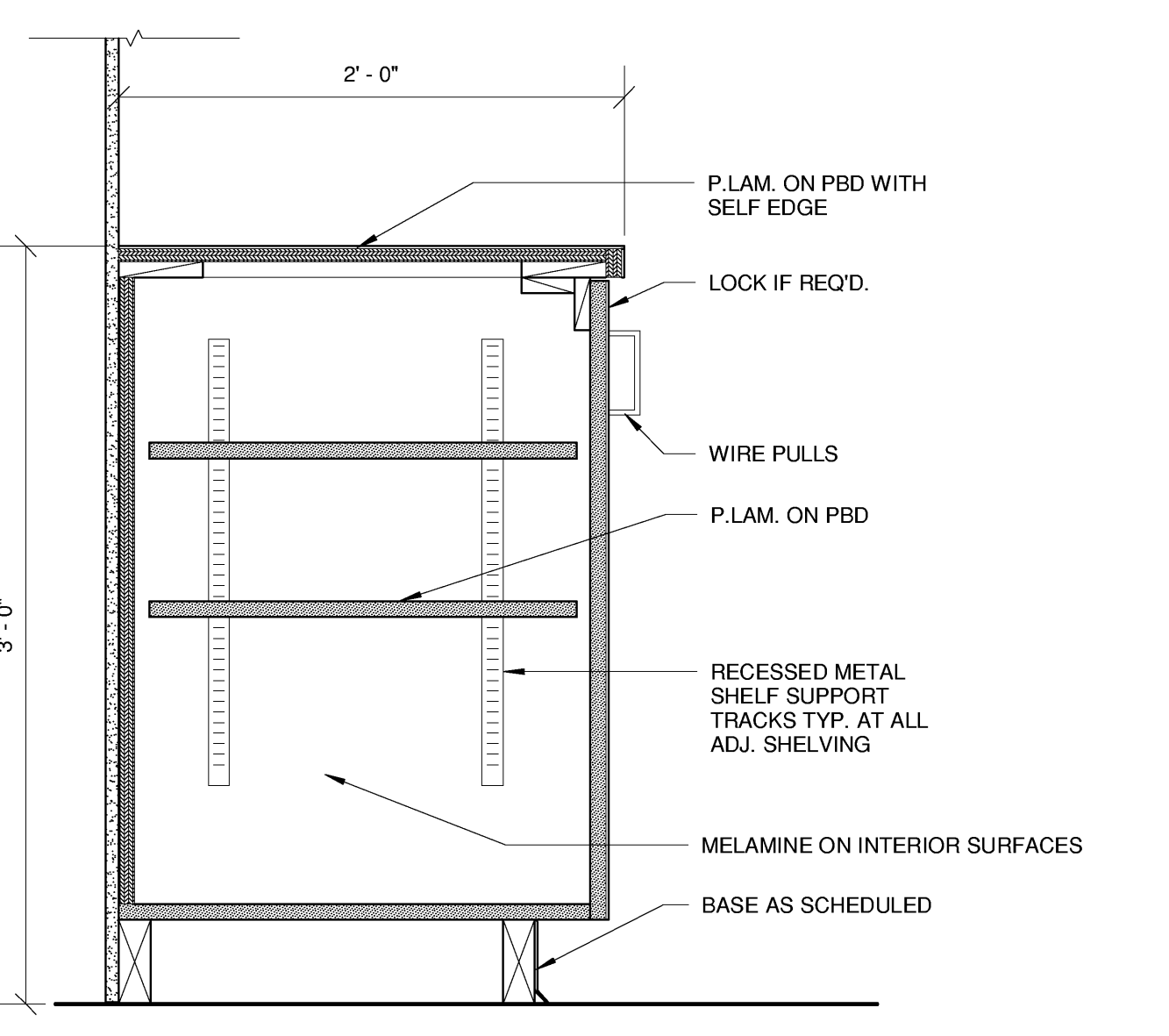
**B2** MILLWORK DETAIL  
1 1/2" = 1'-0"



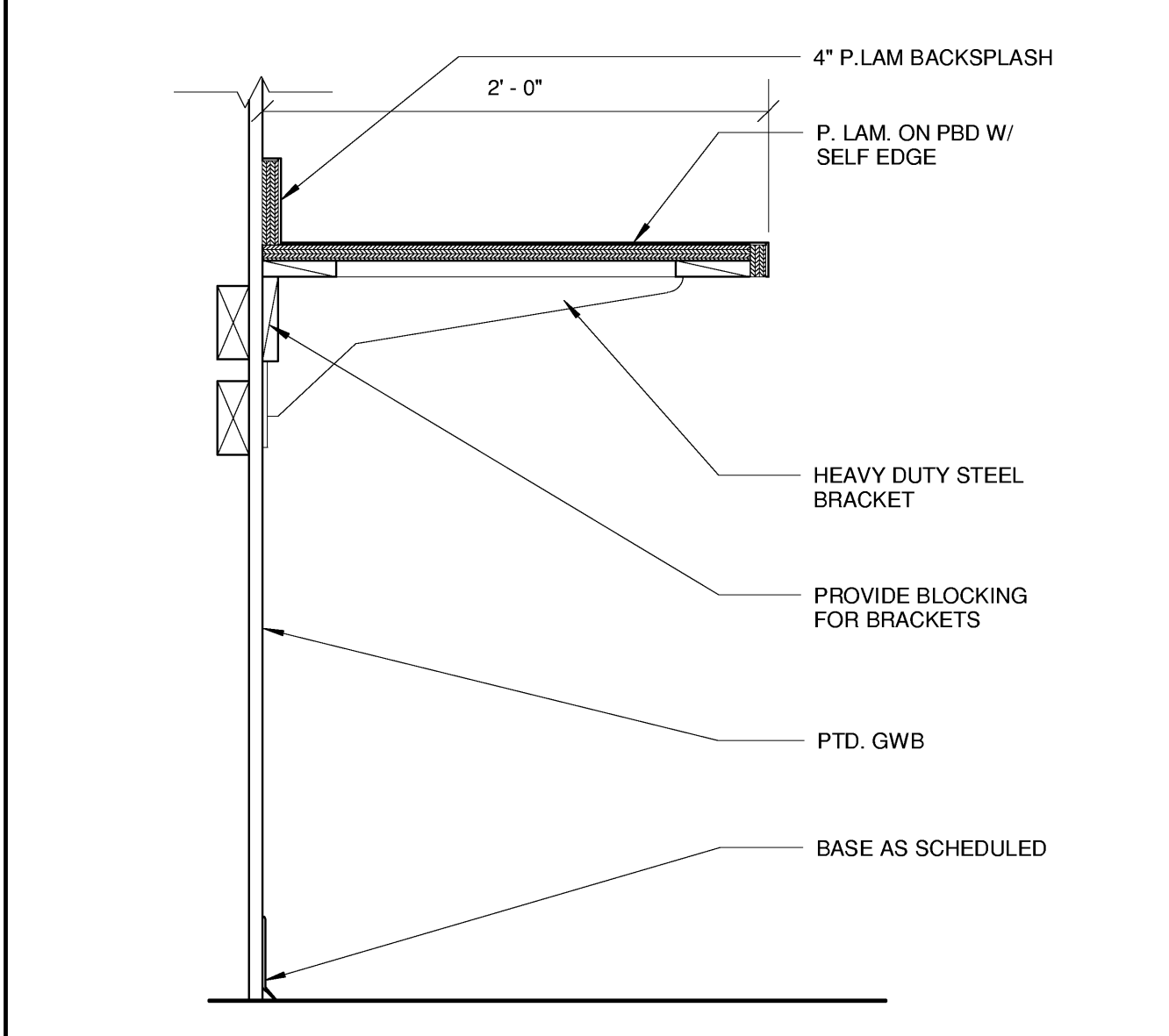
**B1** MILLWORK DETAIL  
1 1/2" = 1'-0"



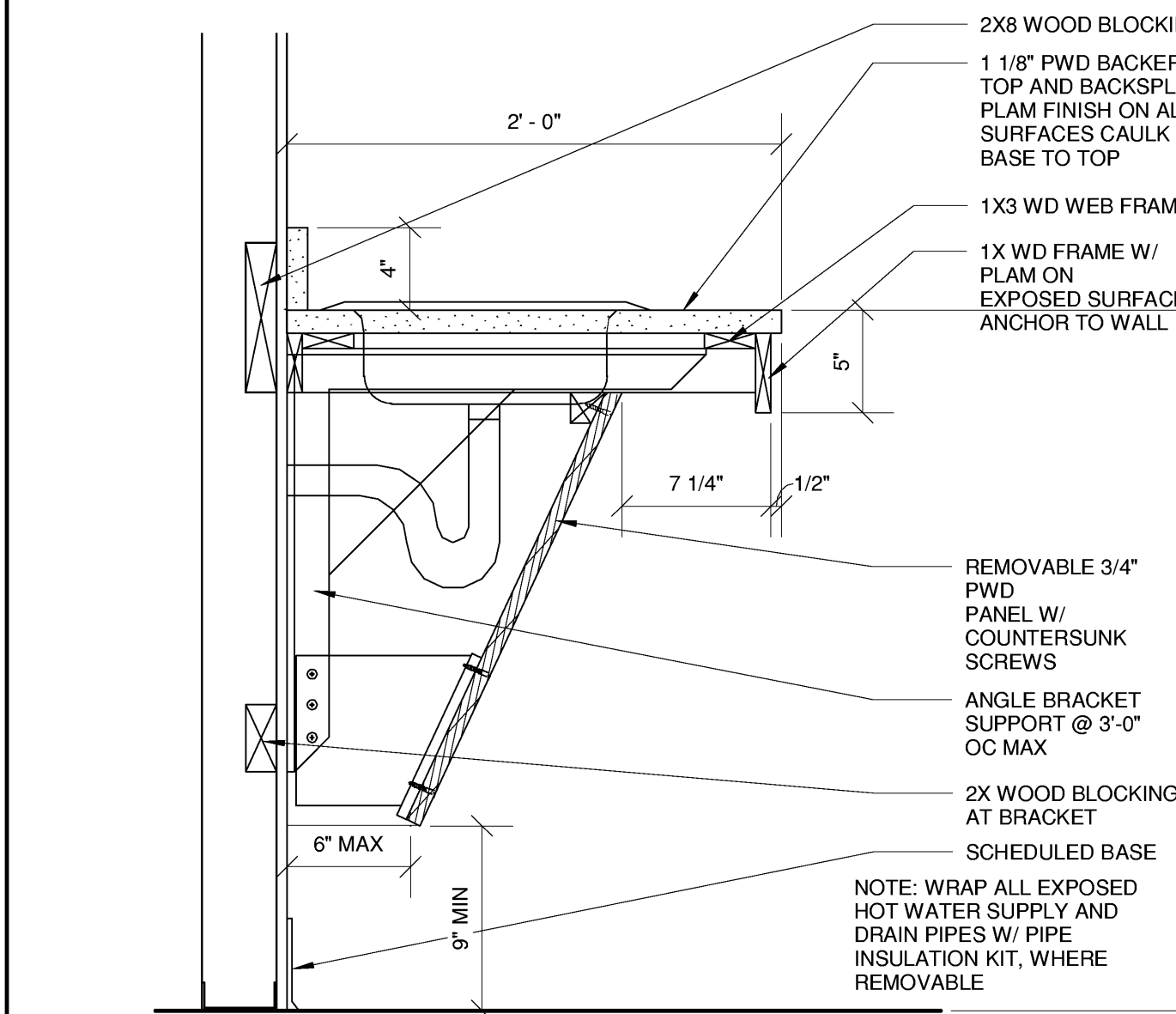
**B4** MILLWORK DETAIL  
1 1/2" = 1'-0"



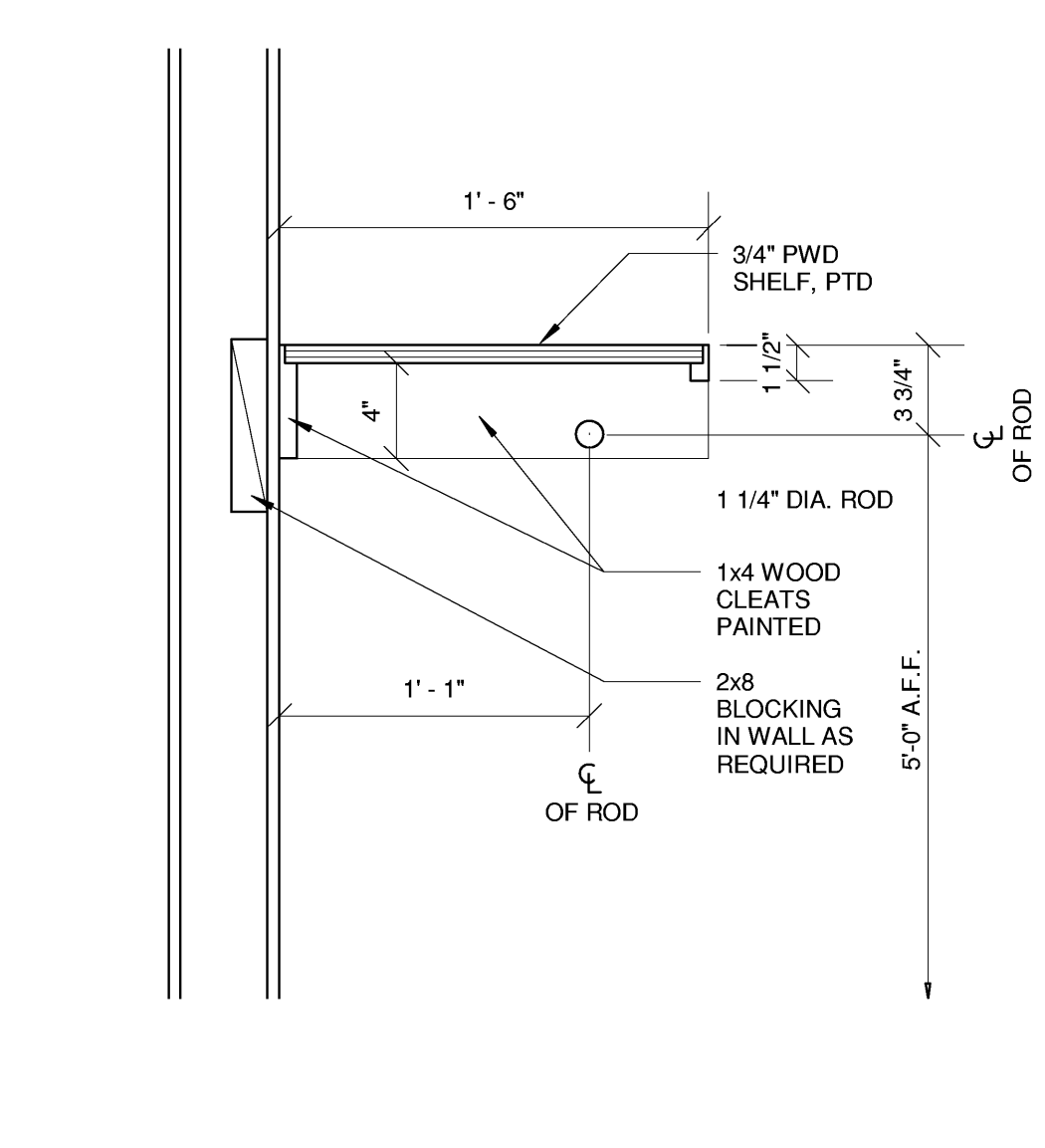
**A3** MILLWORK DETAIL  
1 1/2" = 1'-0"



**A2** MILLWORK DETAIL  
1 1/2" = 1'-0"



**A1** MILLWORK DETAIL  
1 1/2" = 1'-0"



**A4** MILLWORK DETAIL  
1 1/2" = 1'-0"