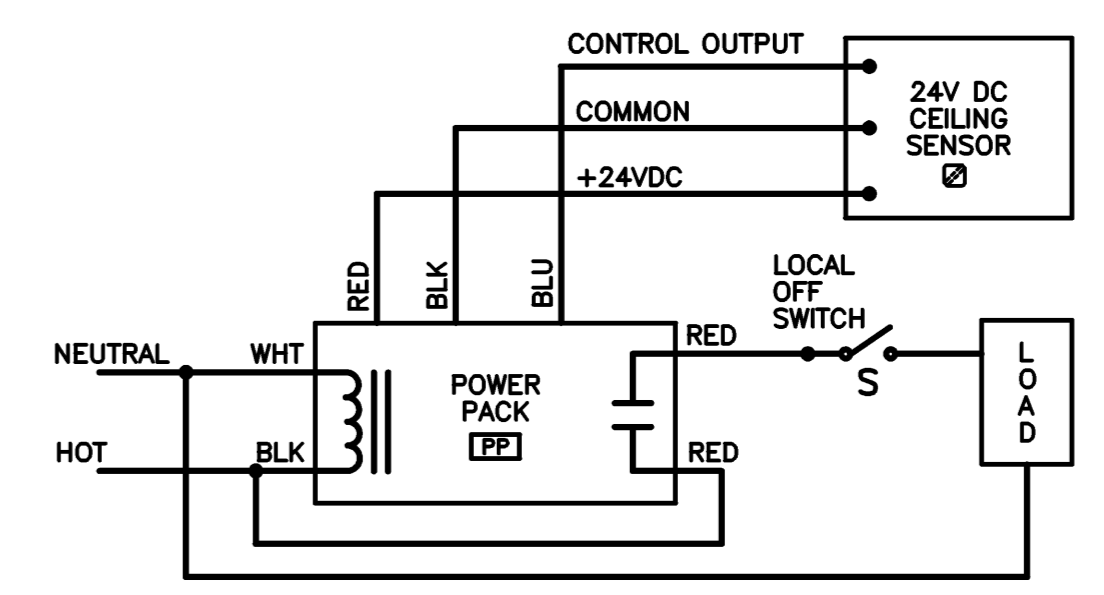
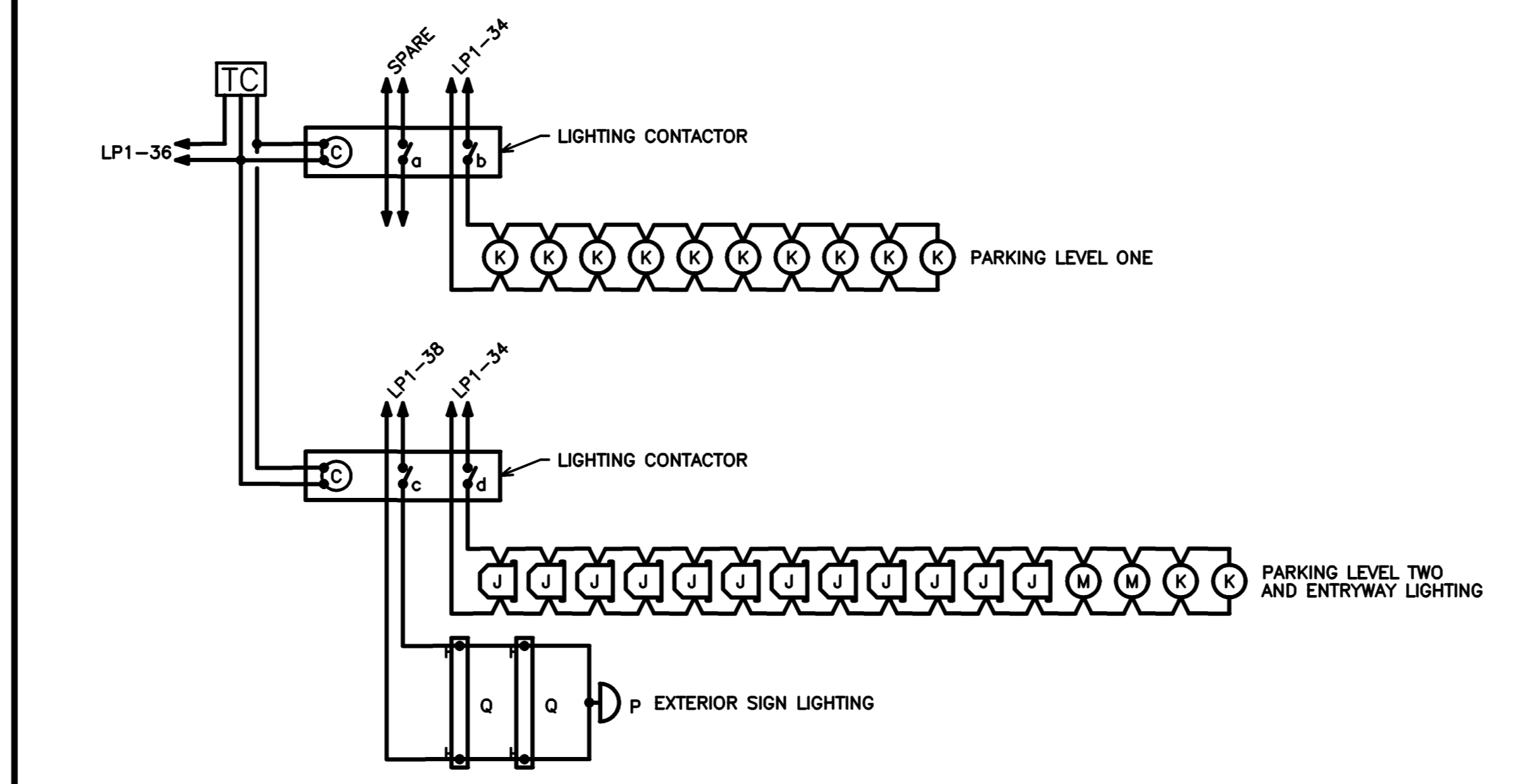


CARD ACCESS SYSTEM DETAILS

NO SCALE REF: NA **B3**

EMERGENCY REMOTE HEAD (1ST LEVEL PARKING)

NO SCALE REF: NA **C1**



NOTE: QUANTITY, AND LOCATION OF OFF SWITCHES AS SHOWN ON FLOOR PLAN DRAWINGS. WIRE POWER PACK TO CIRCUIT SHOWN NEXT TO IT ON FLOOR PLANS.

NOT USED

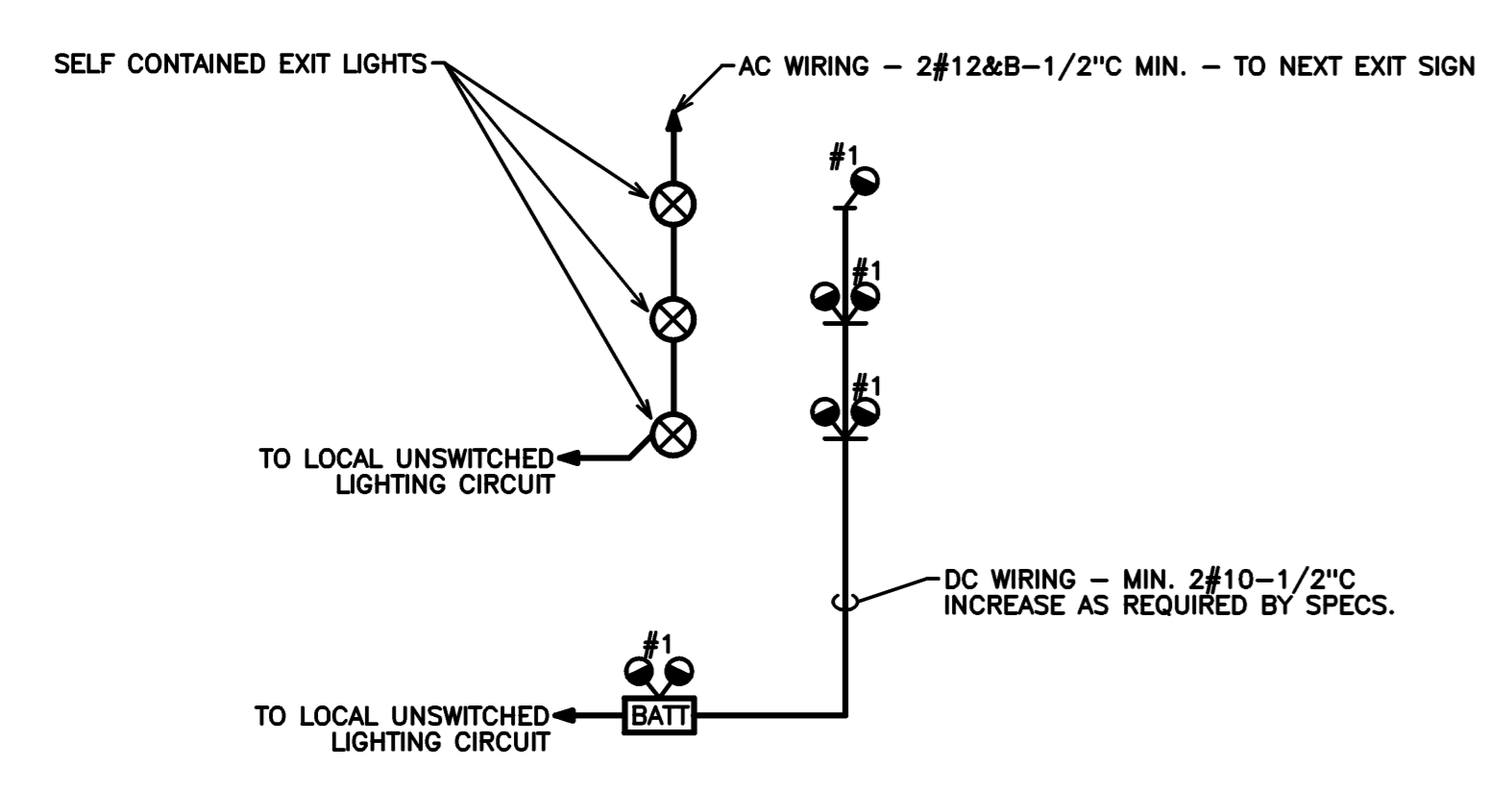
NO SCALE REF: NA **B3**

LIGHTING CONTROLS

NO SCALE REF: NA **B2**

OCCUPANCY SENSOR CONTROL DIAGRAM

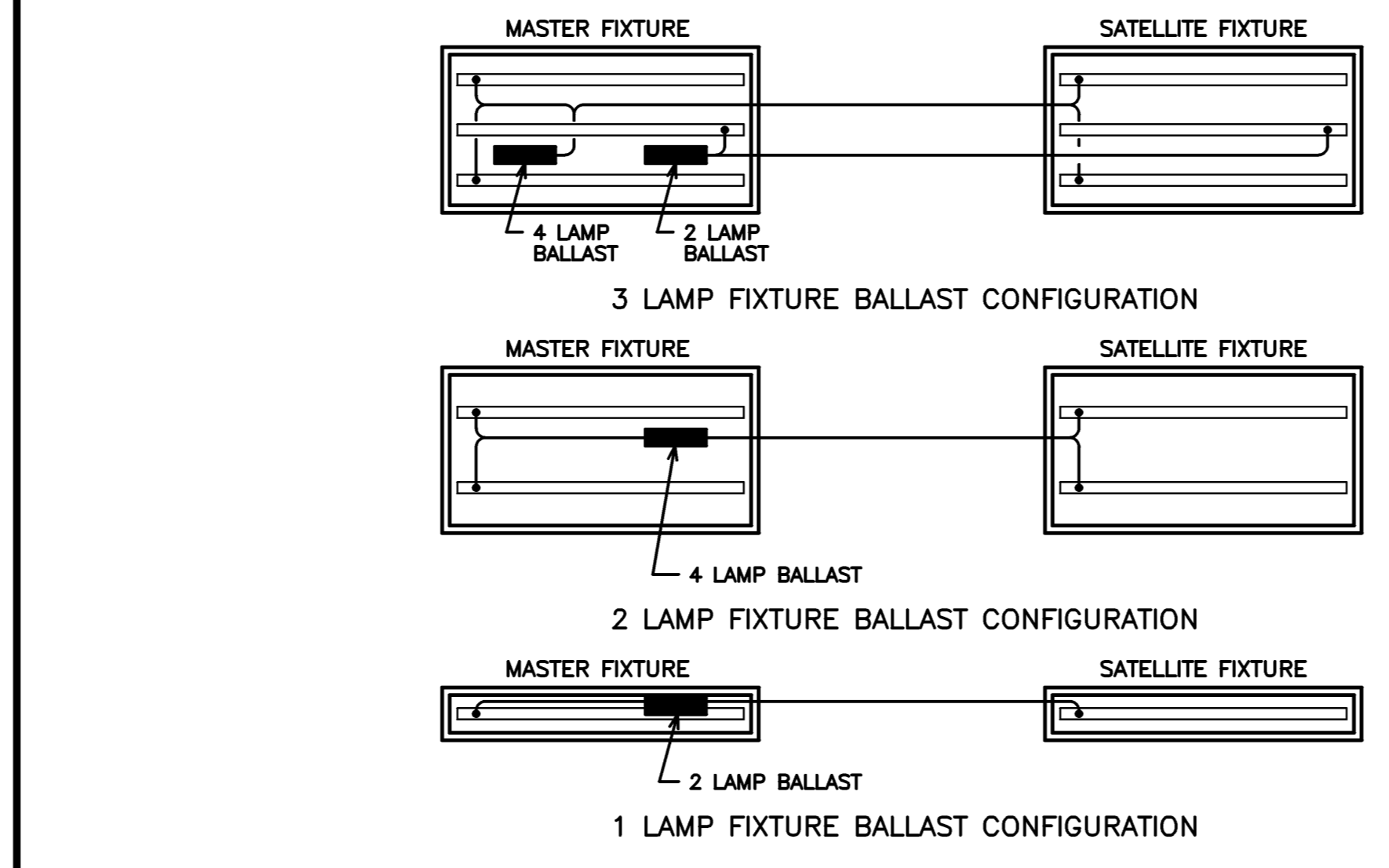
NO SCALE e_occ-riser REF: NA **B1**



NOTE: QUANTITIES OF ALL DEVICES AS INDICATED ON DRAWINGS

EMERGENCY LIGHTING/EXIT SIGN WIRING

NO SCALE emgexit.ri REF: NA **A3**

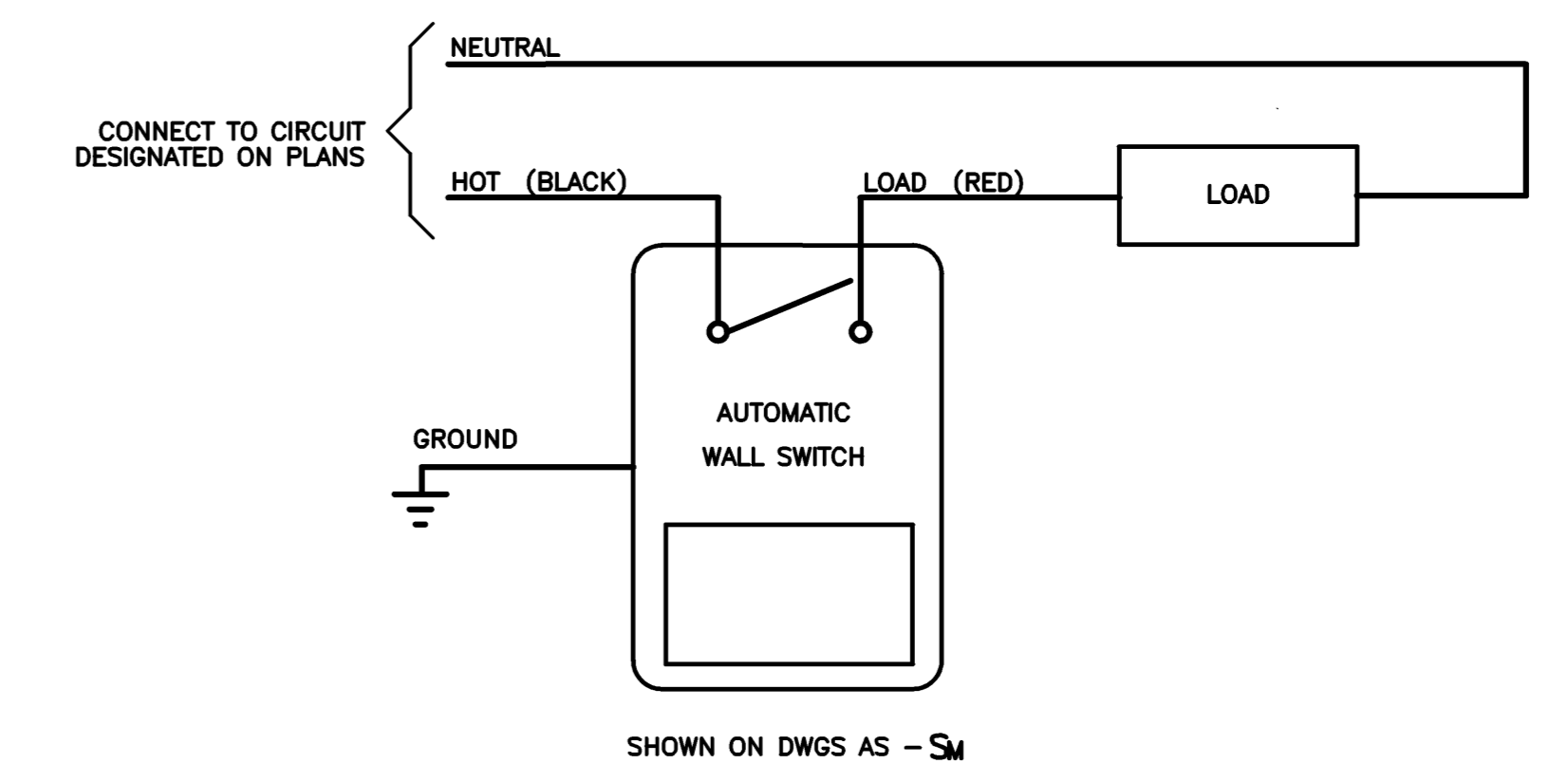


BALLAST CONFIGURATION DETAILS:

- IT IS THE INTENT OF THE DESIGN TO MAXIMIZE THE USE OF MULTI LAMP BALLASTS TO DRIVE THE FIXTURE LAMPS. WHERE FIXTURES RUN END TO END, OR ARE WITHIN THE STANDARD 11 FOOT BALLAST WHIP LENGTH, FIXTURES SHALL BE CONFIGURED IN BALLASTED PAIRS. IN ALL CASES, BALLASTS SHALL BE INSTALLED TO DRIVE THE EXACT NUMBER OF LAMPS THEY ARE DESIGNED TO SERVE. SEVERAL OF THE MORE TYPICAL LAMP CONFIGURATIONS ARE SHOWN ABOVE.
- THE CONTRACTOR SHALL COORDINATE SPECIAL BALLAST CONFIGURATIONS TO SERVE LAMPS SERVED BY AN EMERGENCY GENERATOR. ODD QUANTITIES OF FIXTURES RESULTING IN UNEVEN FIXTURE PAIRS AND SPECIAL SWITCHING REQUIREMENTS. CONFIGURE BALLASTS TO MEET MULTI LEVEL SWITCHING REQUIREMENTS. IN GENERAL, SPECIAL BALLAST CONFIGURATIONS ARE NOT IDENTIFIED ON A FIXTURE BY FIXTURE BASIS ON THE DOCUMENTS. IT IS THE CONTRACTORS RESPONSIBILITY TO COORDINATE THESE REQUIREMENTS. A MINIMUM NUMBER OF SINGLE LAMP BALLASTS MAY BE USE AS REQUIRED TO MEET THESE NEEDS.

TYPICAL FIXTURE BALLAST CONFIGURATIONS

NO SCALE e_tjgballast.ri REF: NA **A2**



SHOWN ON DWGS AS -SM

WALL MOUNTED OCCUPANCY SENSOR SWITCH WIRING DIAGRAM

NO SCALE REF: NA **A1**

Mark	Date	Description
-	04-28-05	ISSUED FOR BID
-	04-11-05	100% REVIEW
Issue Dates		

Drawing Status

ELECTRICAL DETAILS

PA / PE: **PRM** Drawn By: **JMB/KRM**
 Drawing Number

E70.1