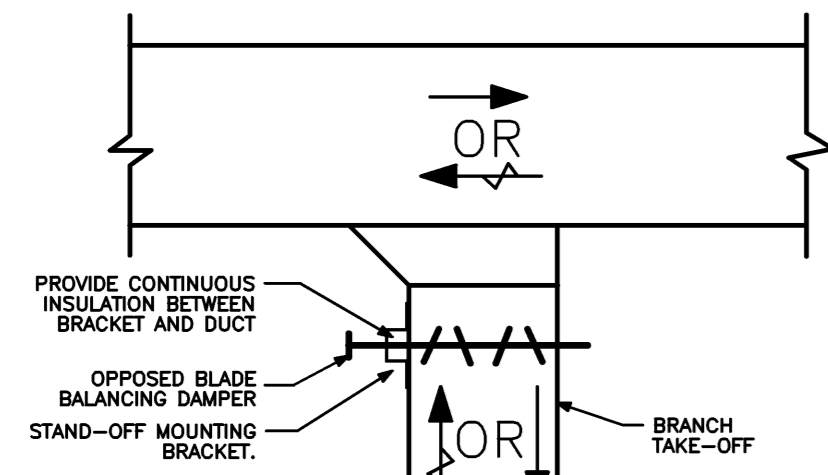


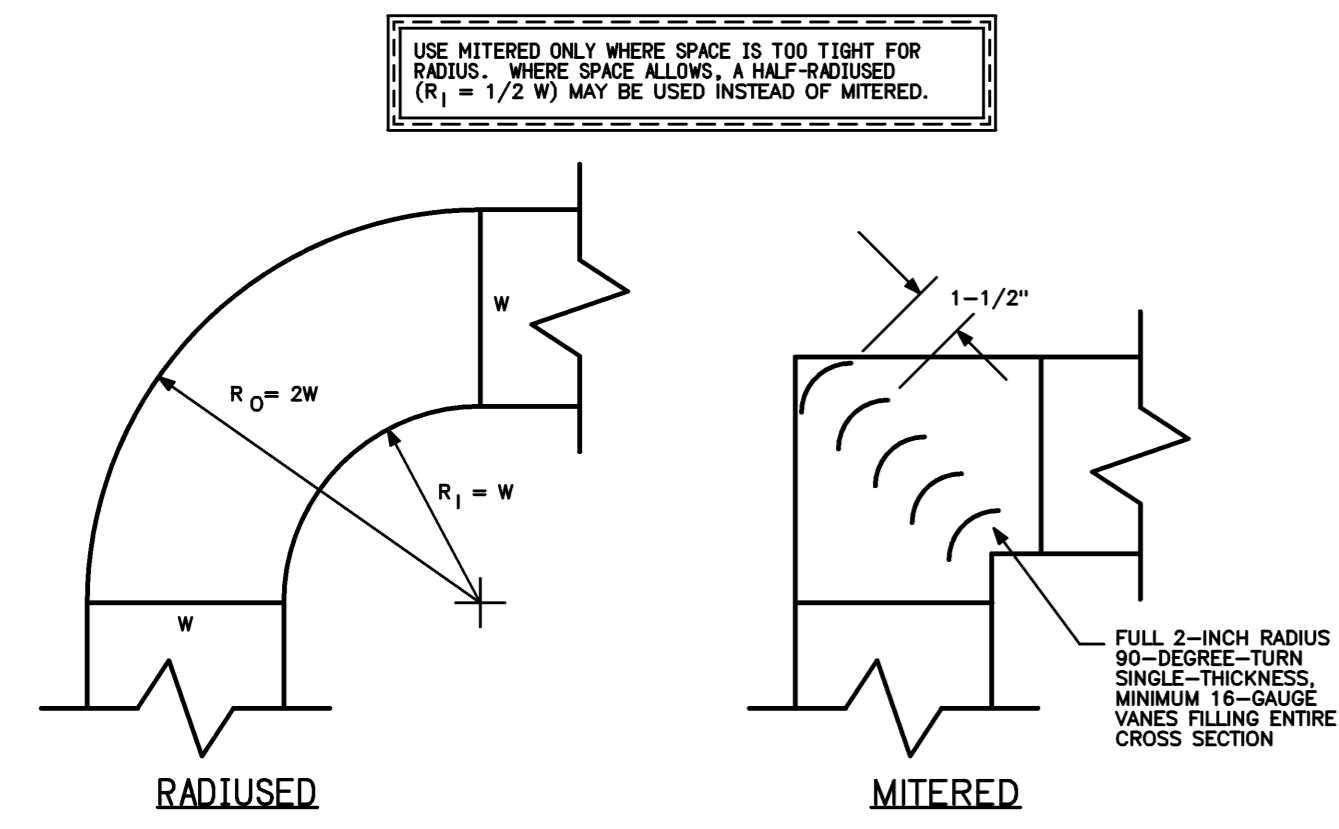
ISOMETRIC VIEW



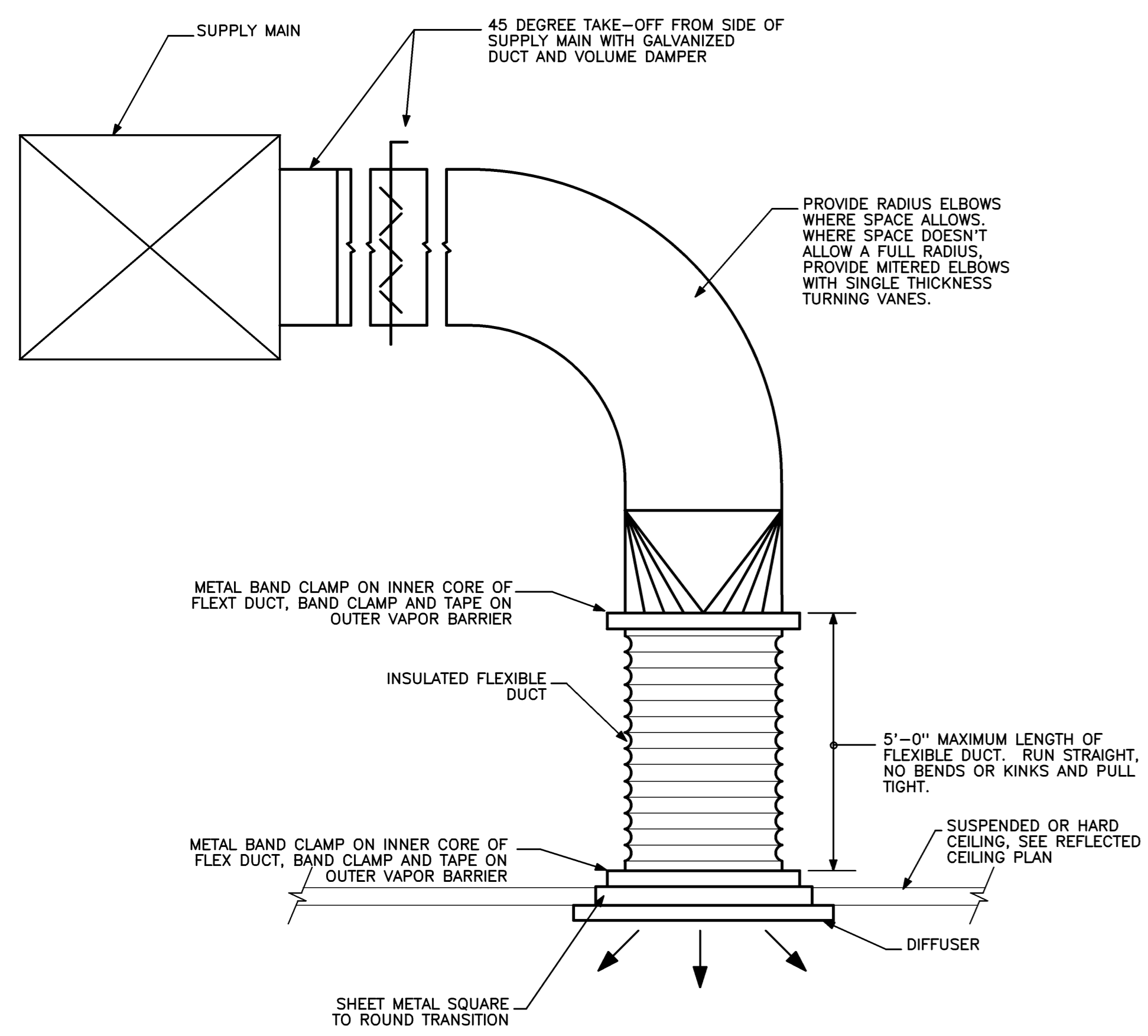
PLAN VIEW

INSULATED SUPPLY AND RETURN DUCTWORK SHALL INSTALLED WITH STAND-OFF MOUNTING BRACKETS FOR VOLUME/BALANCING DAMPER OPERATORS. ALLOW CLEARANCE BETWEEN DUCT AND OPERATOR OF NOT LESS THAN INSULATION THICKNESS.

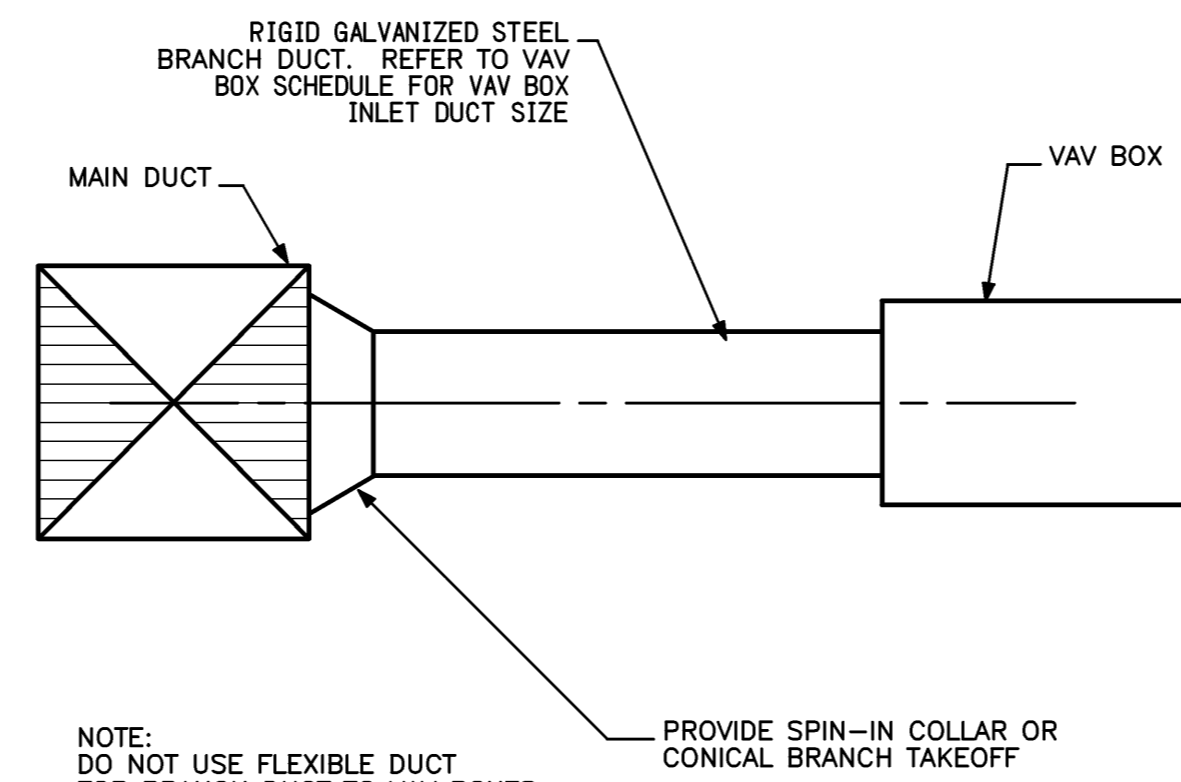
TYPICAL BRANCH DUCT TAKE-OFF DETAIL  
NO SCALE



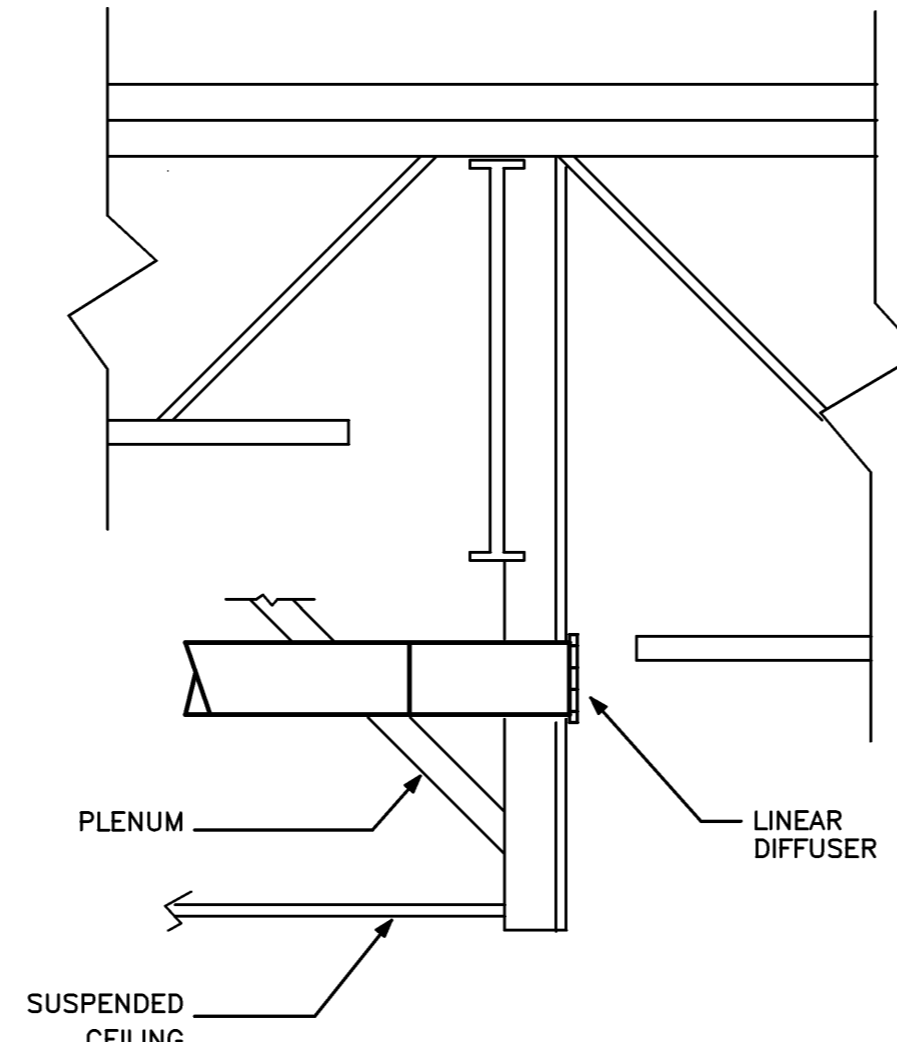
DUCT ELBOW DETAILS  
NO SCALE



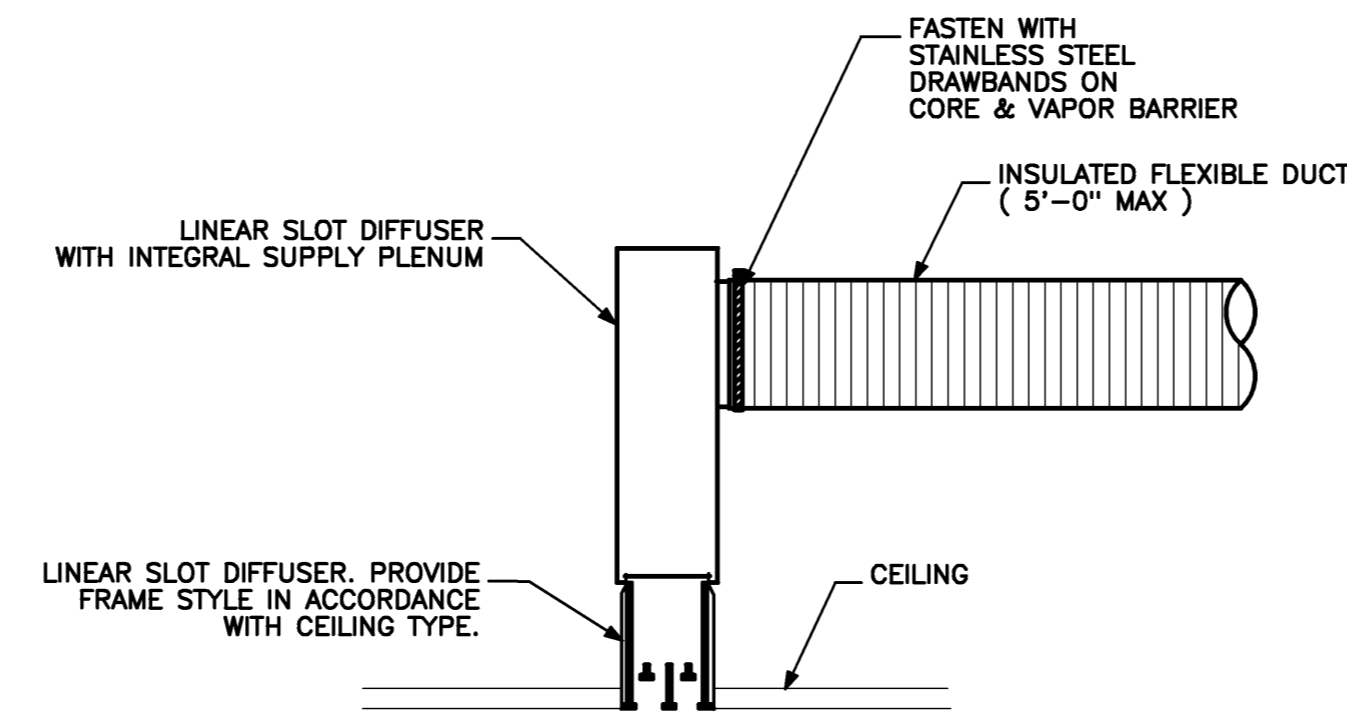
TYPICAL FLEXIBLE DUCT DETAIL  
NO SCALE



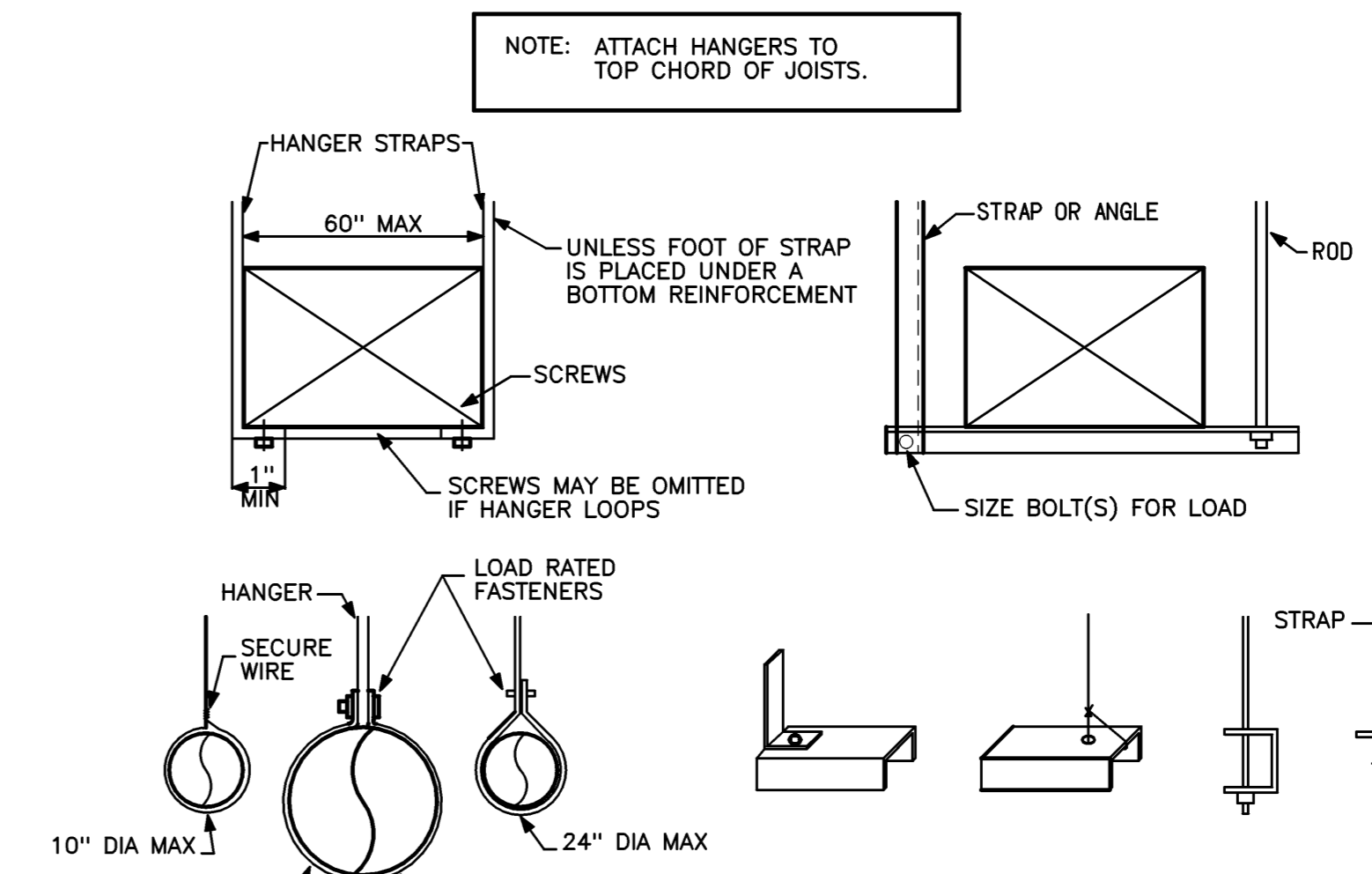
TYPICAL VAV BOX CONNECTION DETAIL  
NO SCALE



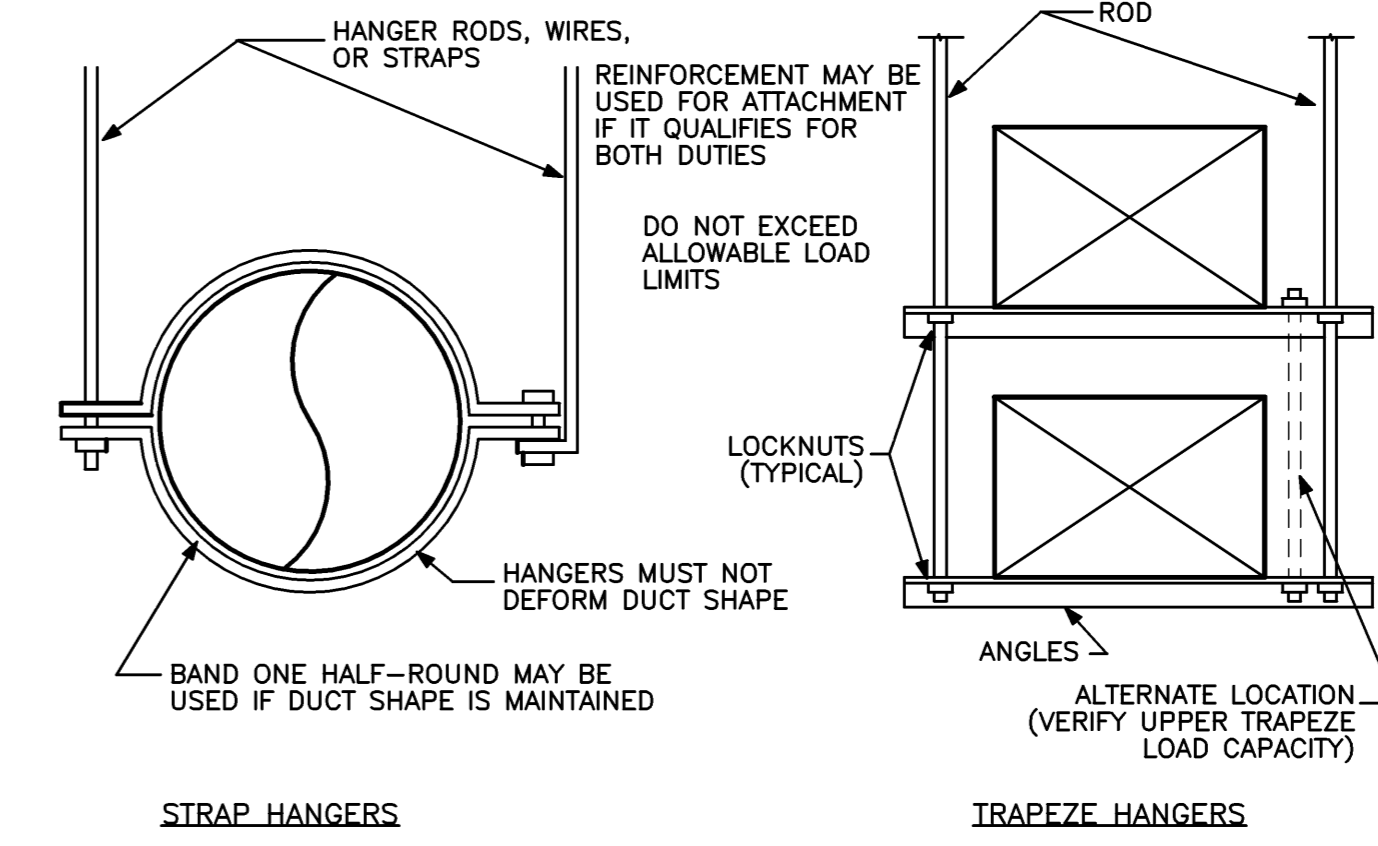
LINEAR DIFFUSER DETAIL  
NO SCALE



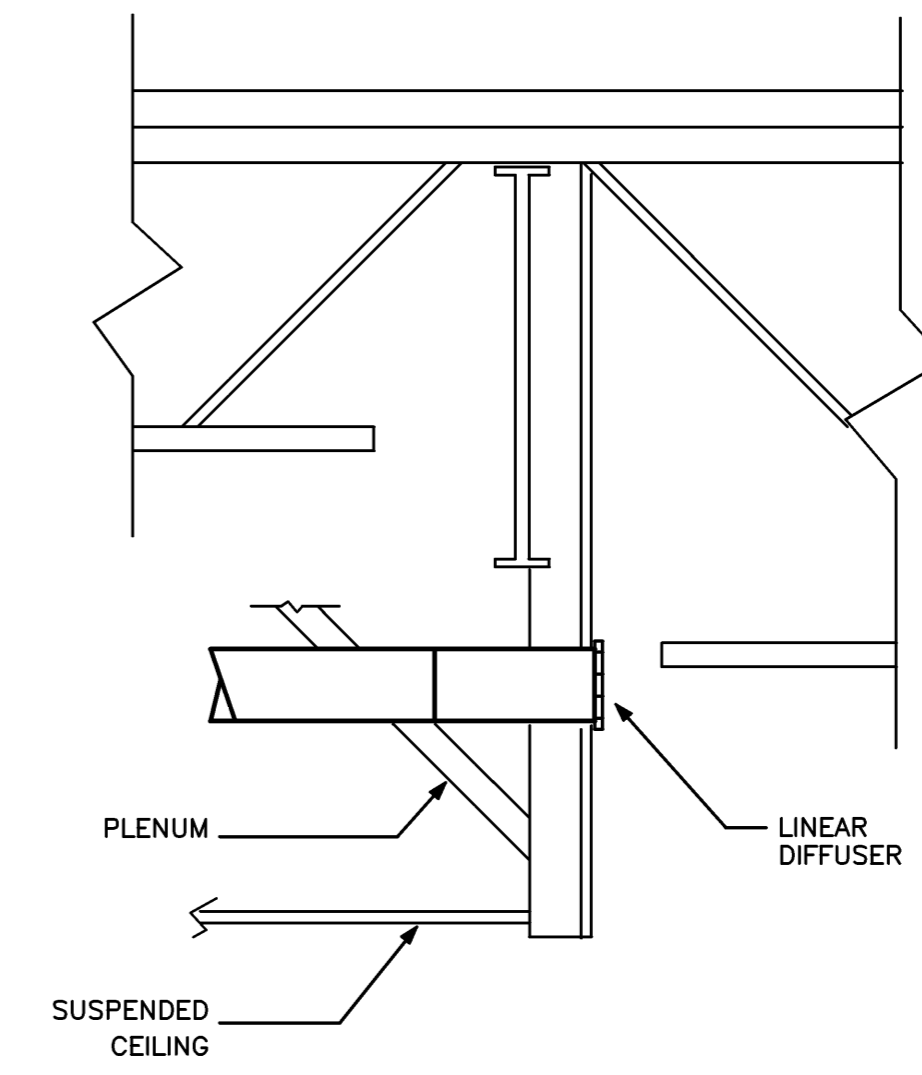
LINEAR SLOT DIFFUSER DETAIL  
NO SCALE



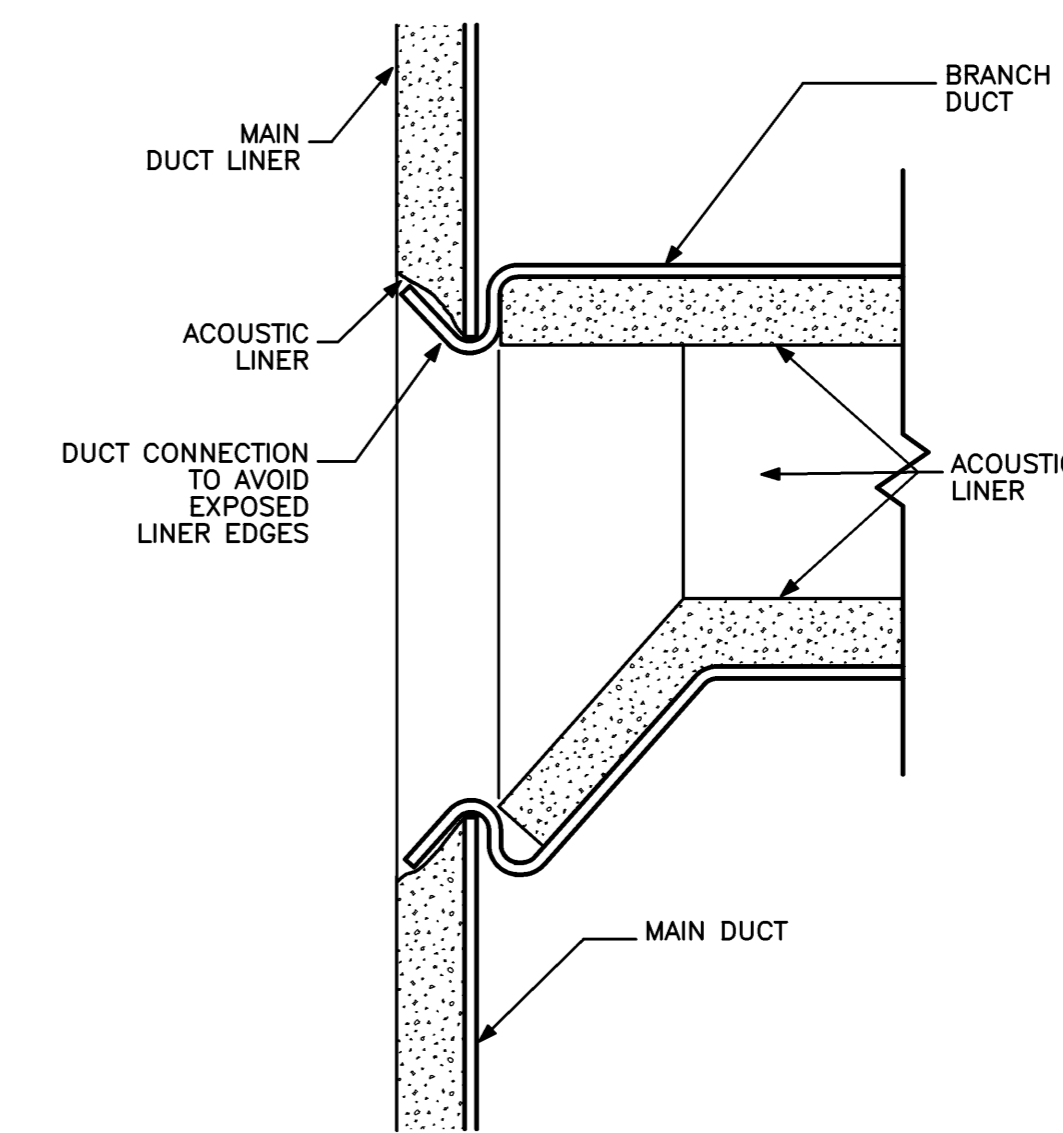
LOWER HANGER ATTACHMENT DETAILS  
NO SCALE



LOWER HANGER ATTACHMENT DETAILS  
NO SCALE



LINEAR DIFFUSER DETAIL  
NO SCALE



LINED DUCT CONNECTION DETAILS  
NO SCALE

Architects • Engineers

HARRIMAN ASSOCIATES

One Adams Business Park  
Adams, Maine 04210  
207.263.2700 tel  
207.263.2727 fax  
www.harriman.com

CLIFTON W. GREIM  
NO. 0405  
REGISTERED PROFESSIONAL ENGINEER  
Building Committee since 1970  
© 2004

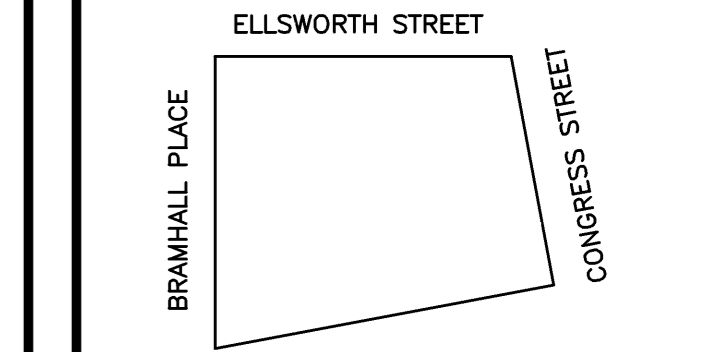
Project Title

**MAINE HEART SURGICAL ASSOC.  
NEW OFFICE BLDG.**

PORTLAND, ME

HA Project No. **04180**

Key Plan



Mark	Date	Description
-	04-28-05	ISSUED FOR BID
-	04-11-05	100% REVIEW
-	01-10-05	DD REVIEW

Issue Dates

Mark	Date	Description
-	04-28-05	ISSUED FOR BID
-	04-11-05	100% REVIEW
-	01-10-05	DD REVIEW

Issue Dates

Drawing Status

Drawing Title

**DETAILS**

PA / PE: **CG** Drawn By: **KCW**

Drawing Number

**M30.1**