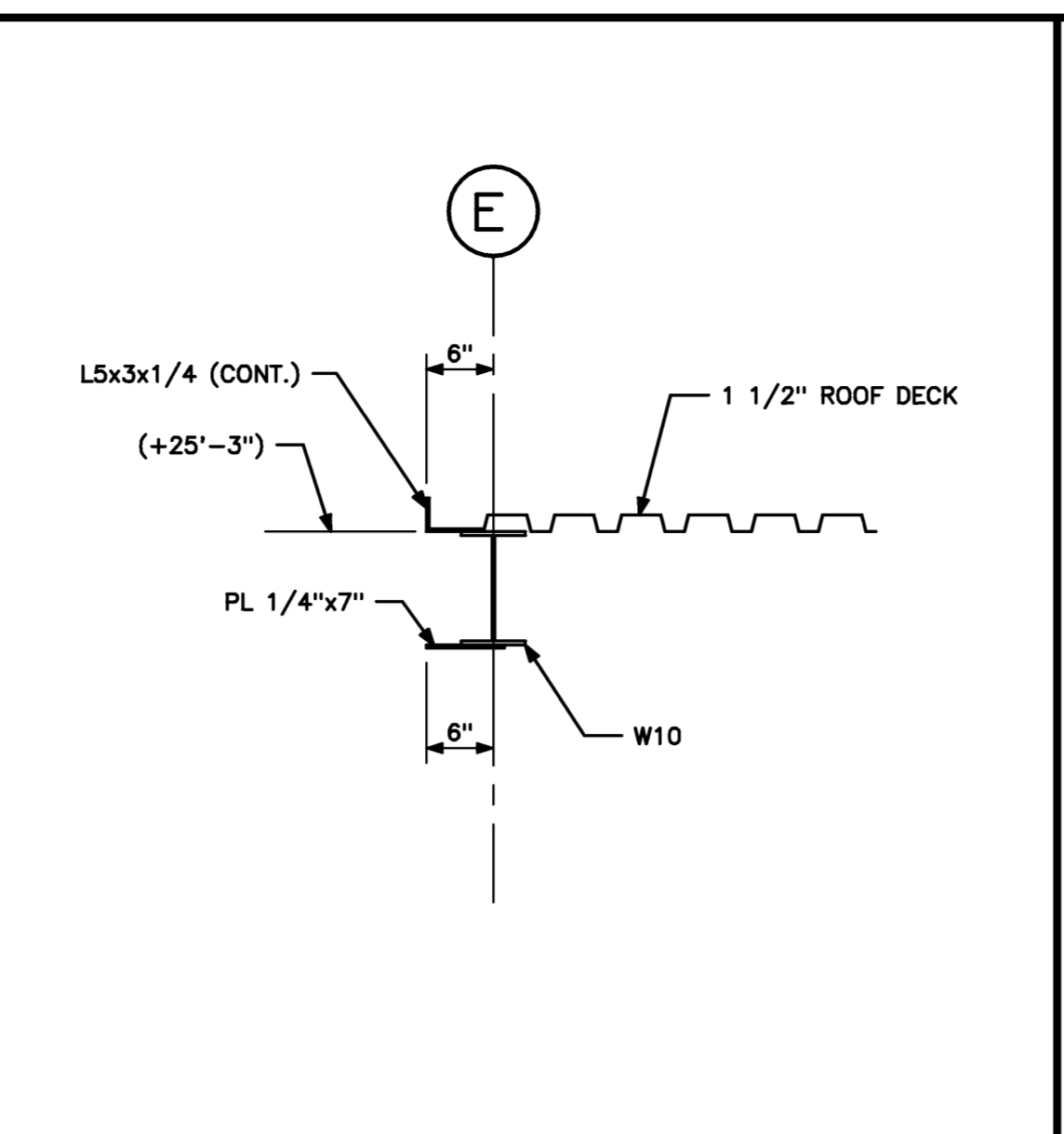
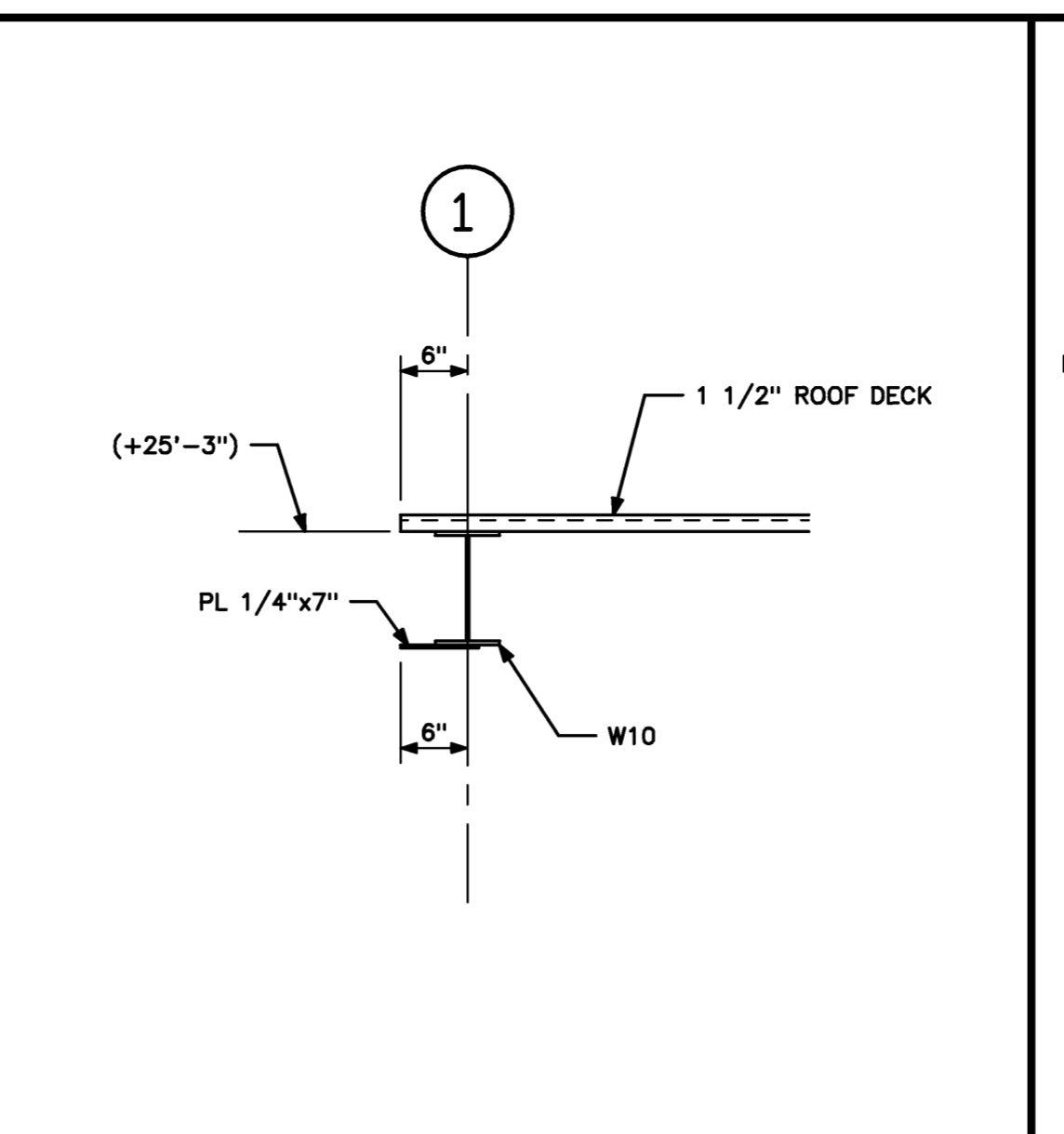


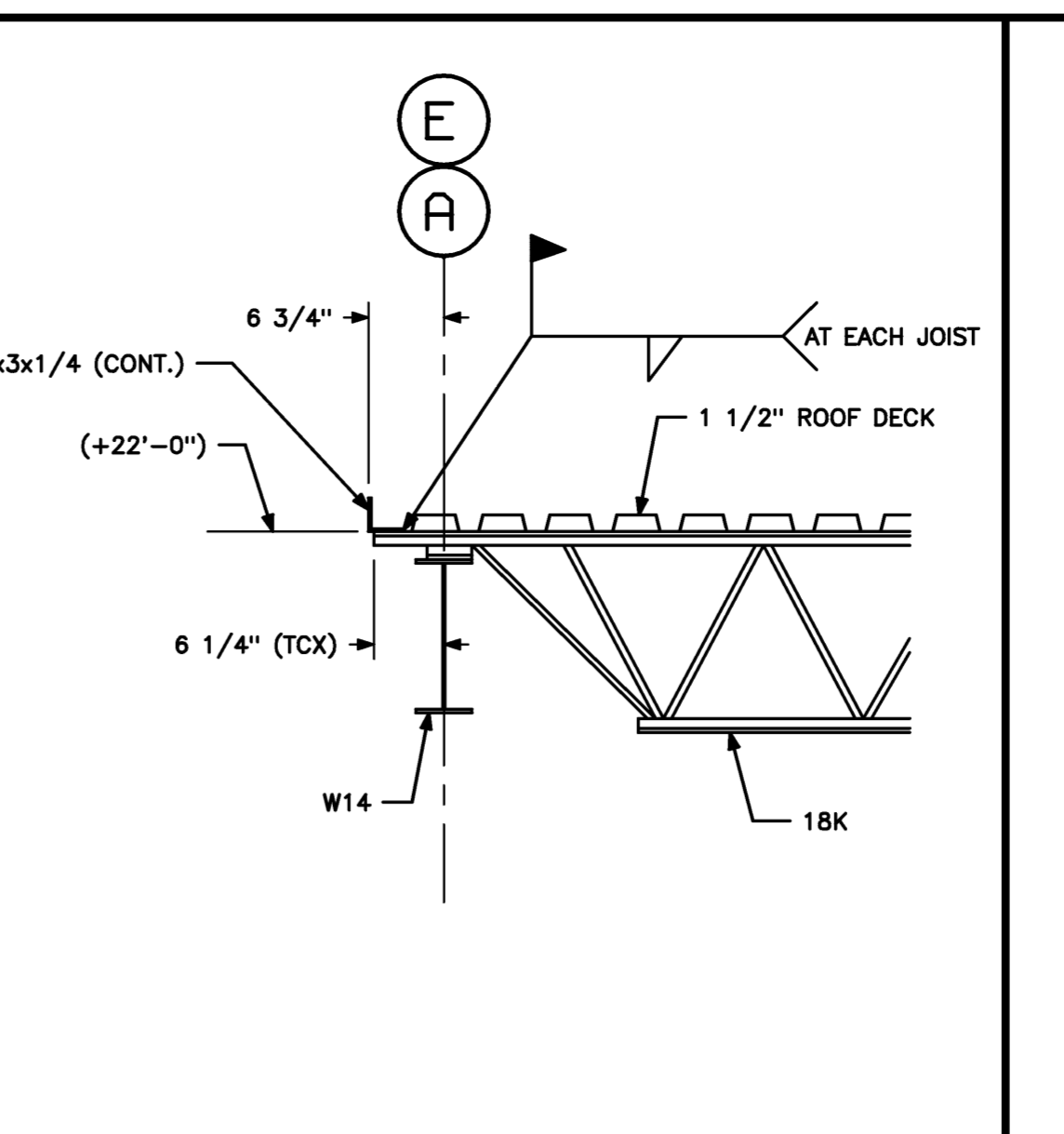
SECTION D5
 1 1/2" = 1'-0"
 REF: S30.1



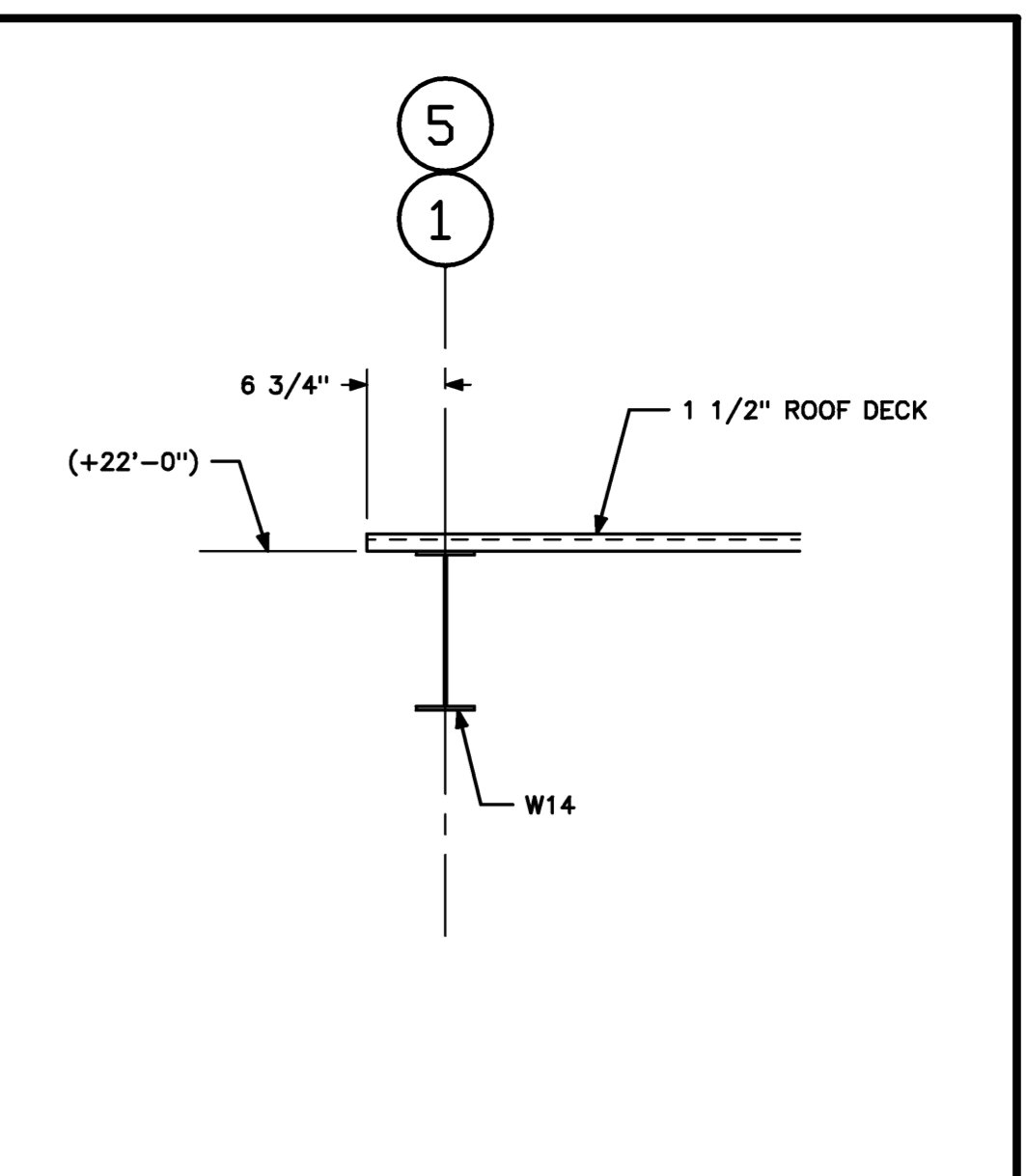
SECTION D4
 3/4" = 1'-0"
 REF: S30.1



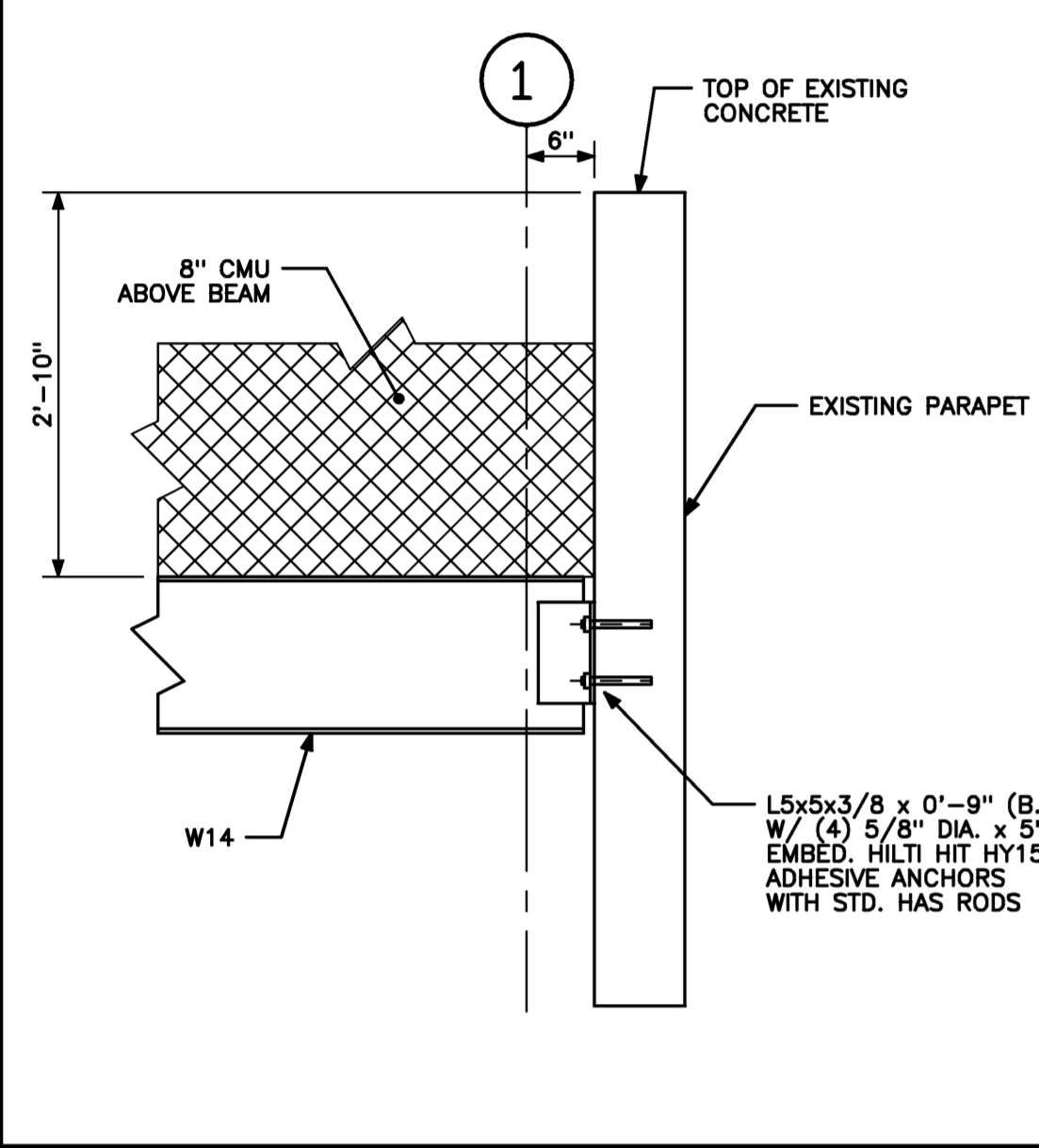
SECTION D3
 3/4" = 1'-0"
 REF: S30.1



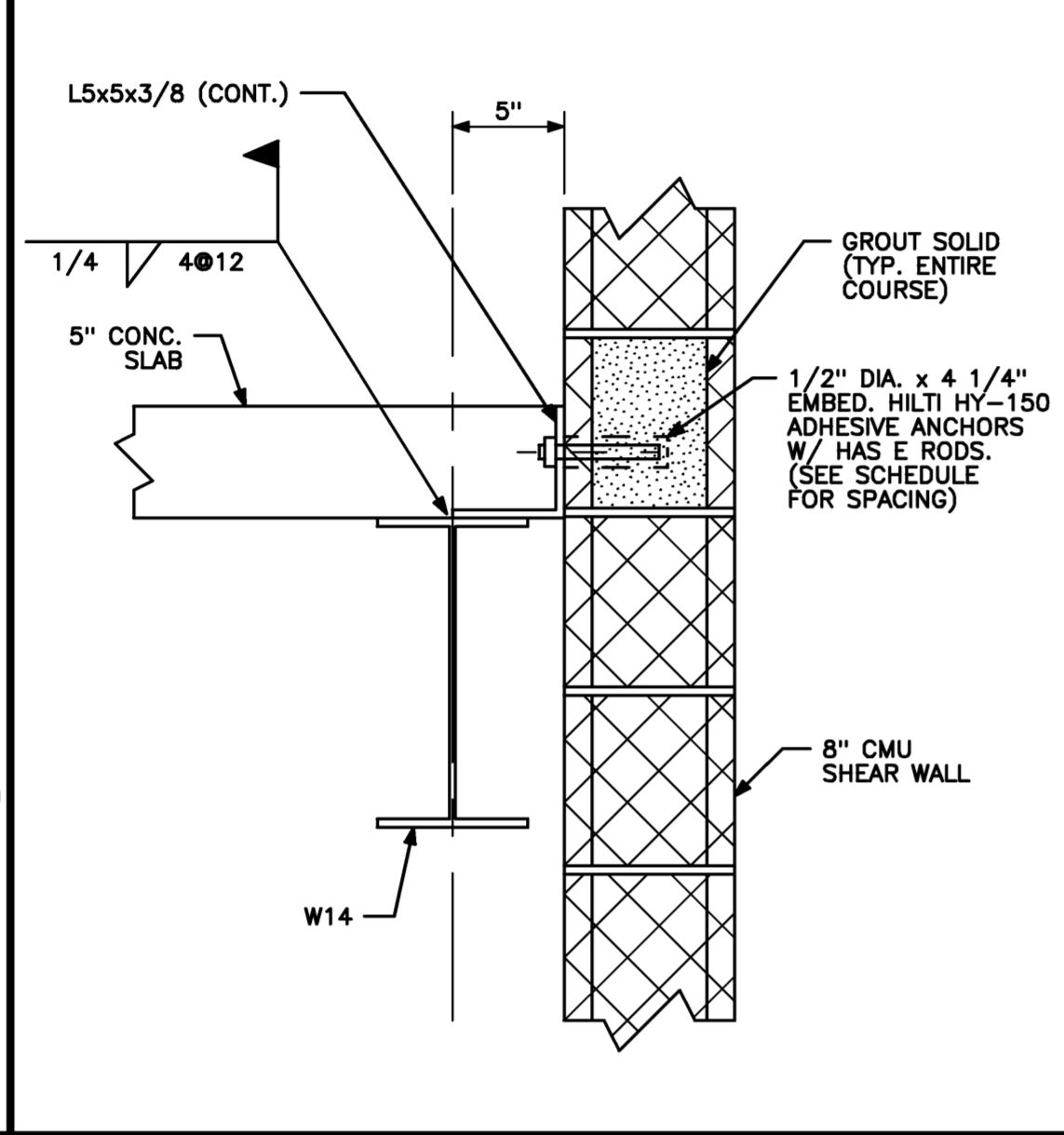
SECTION D2
 3/4" = 1'-0"
 REF: S30.1



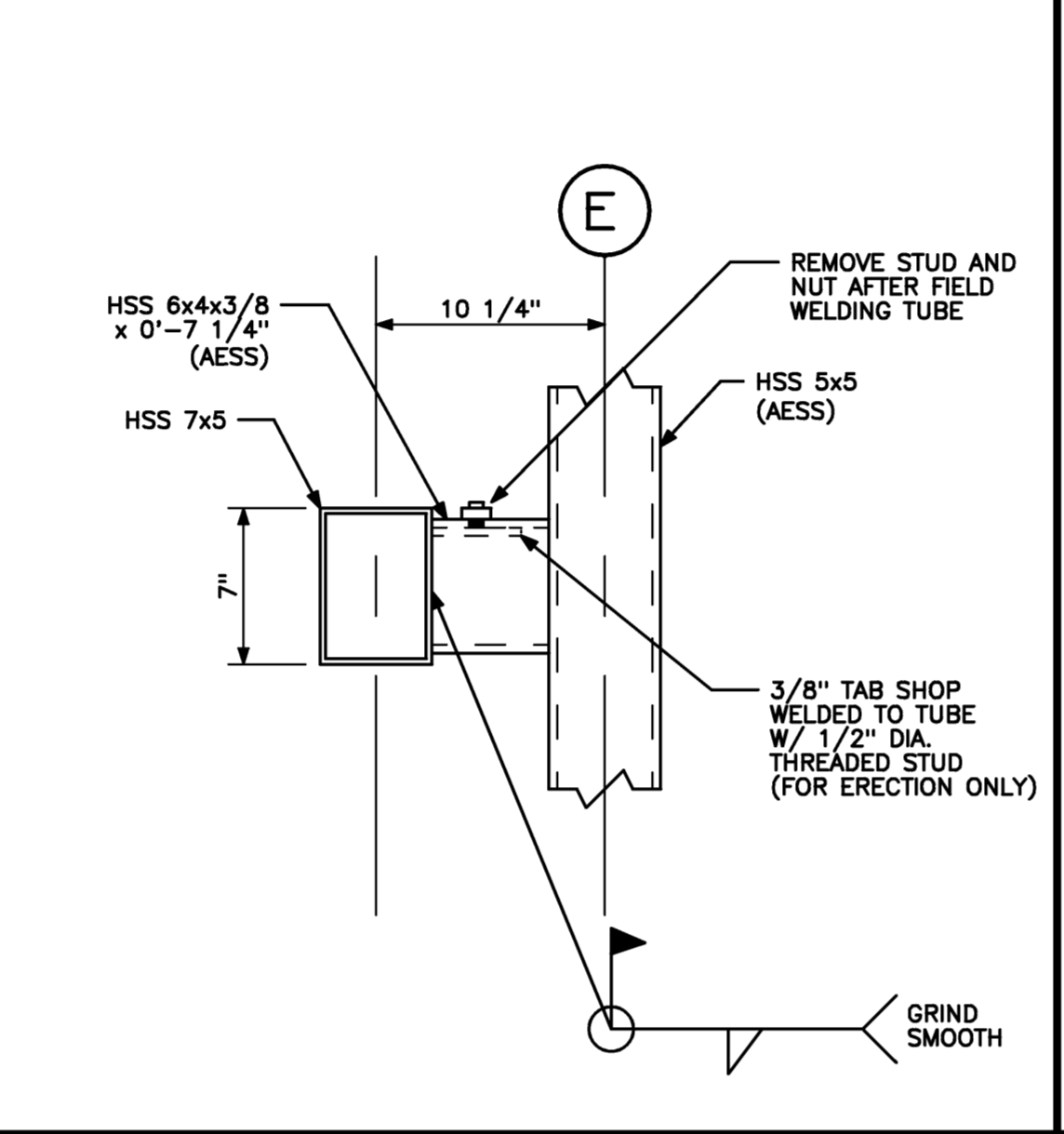
SECTION D1
 3/4" = 1'-0"
 REF: S30.1



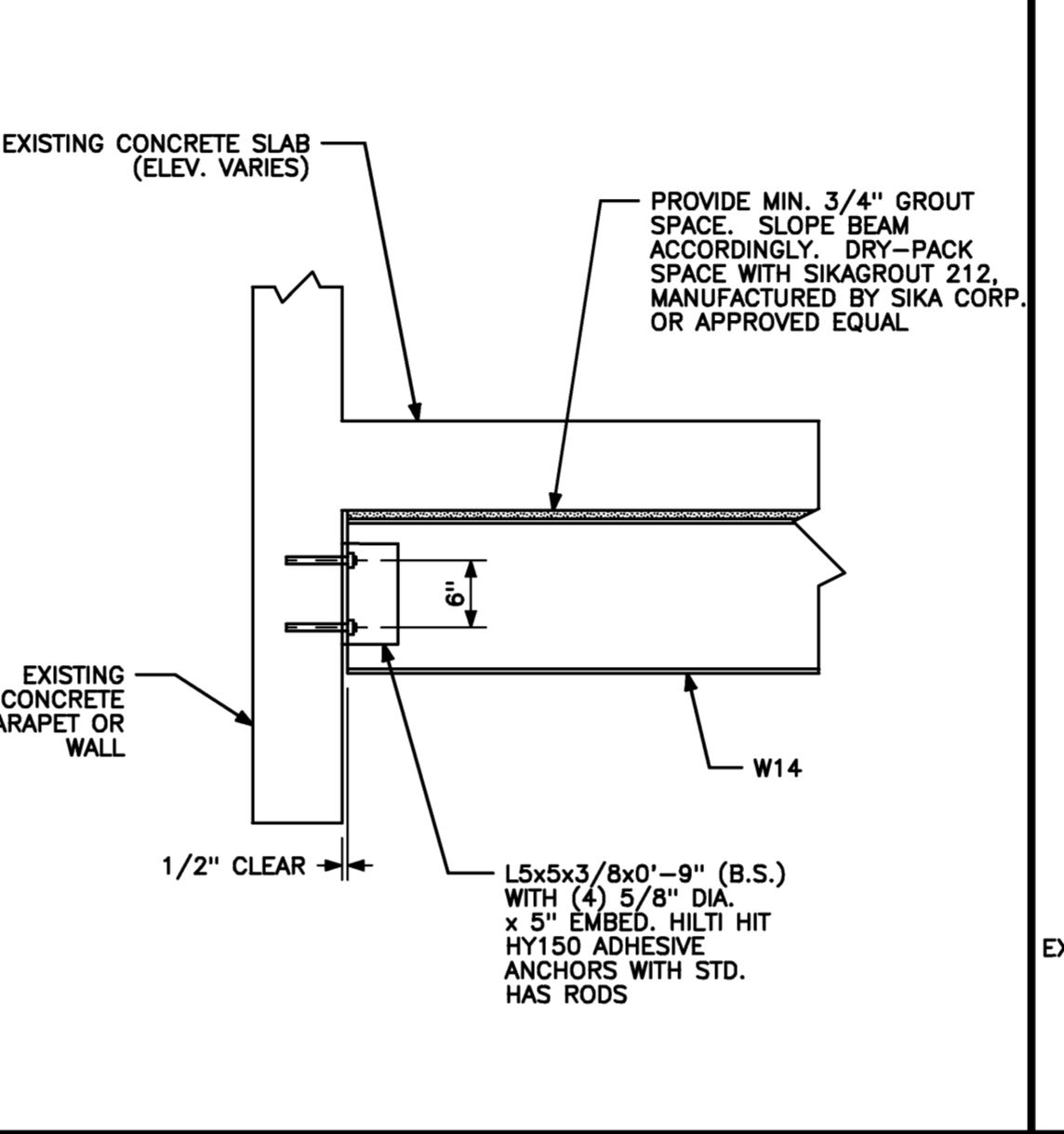
SECTION C6
 3/4" = 1'-0"
 REF: S20.1



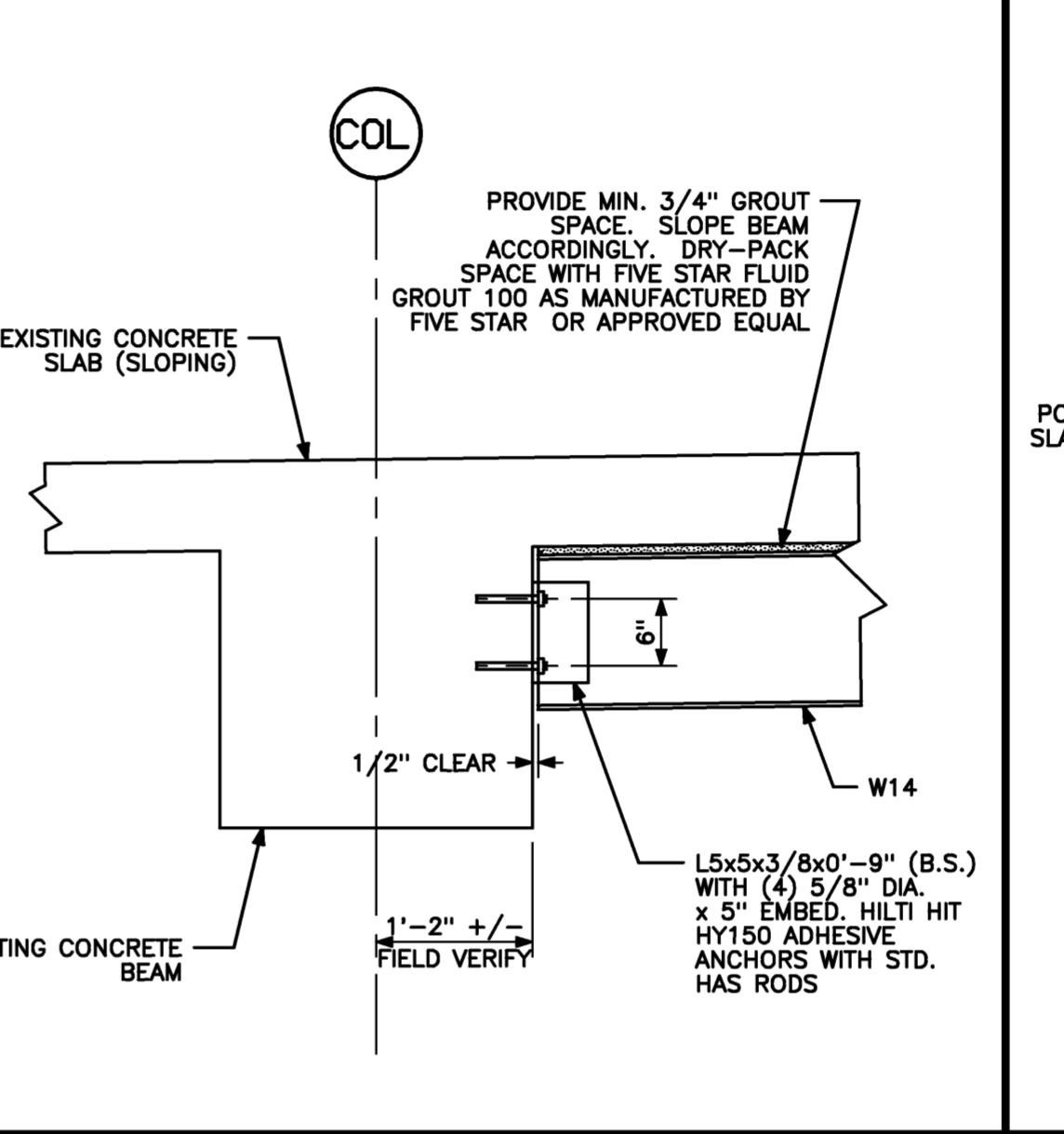
SECTION C5
 1 1/2" = 1'-0"
 REF: S20.2



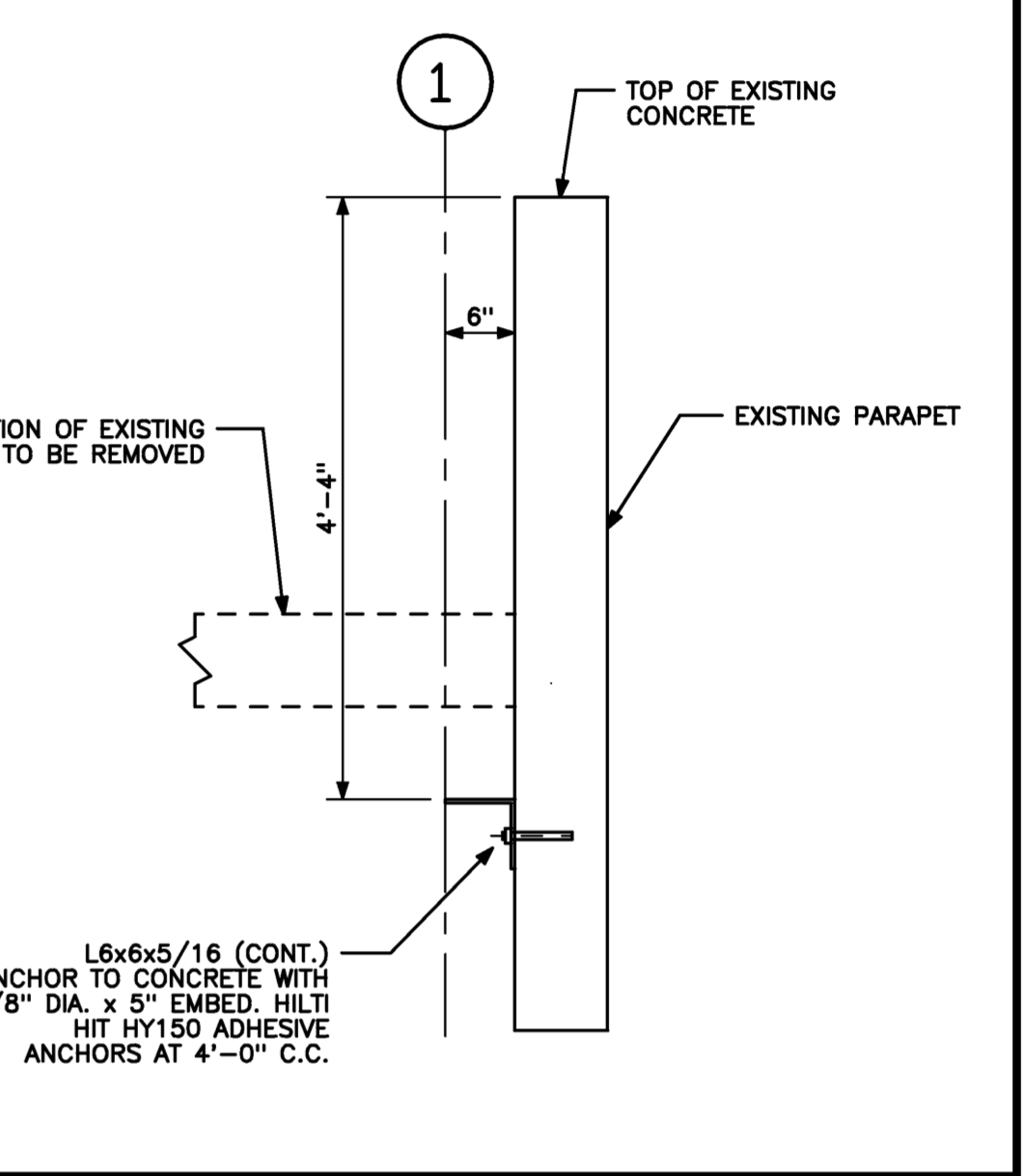
SECTION C4
 1 1/2" = 1'-0"
 REF: S30.1



SECTION C3
 3/4" = 1'-0"
 REF: S20.1



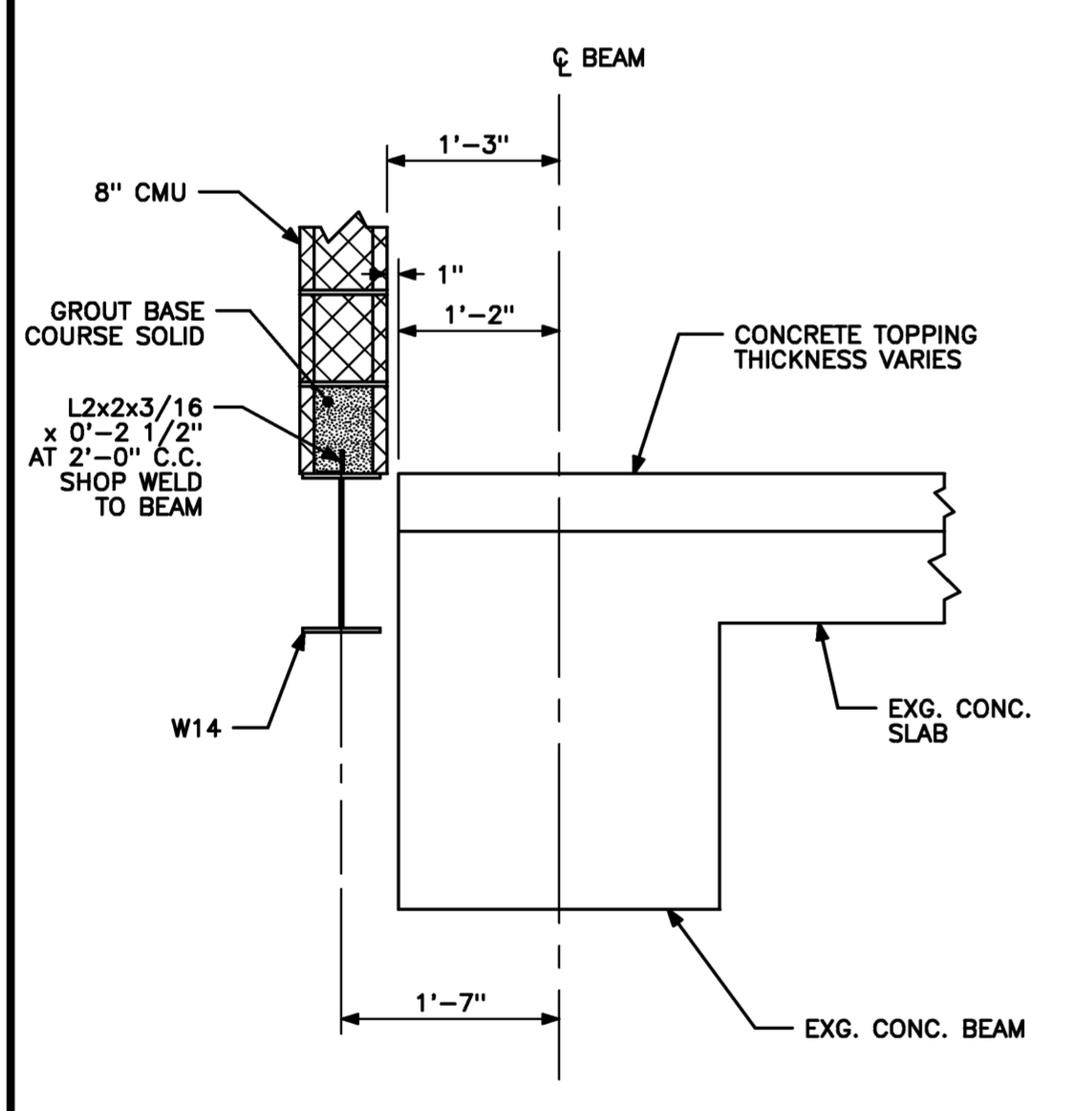
SECTION C2
 3/4" = 1'-0"
 REF: S20.1



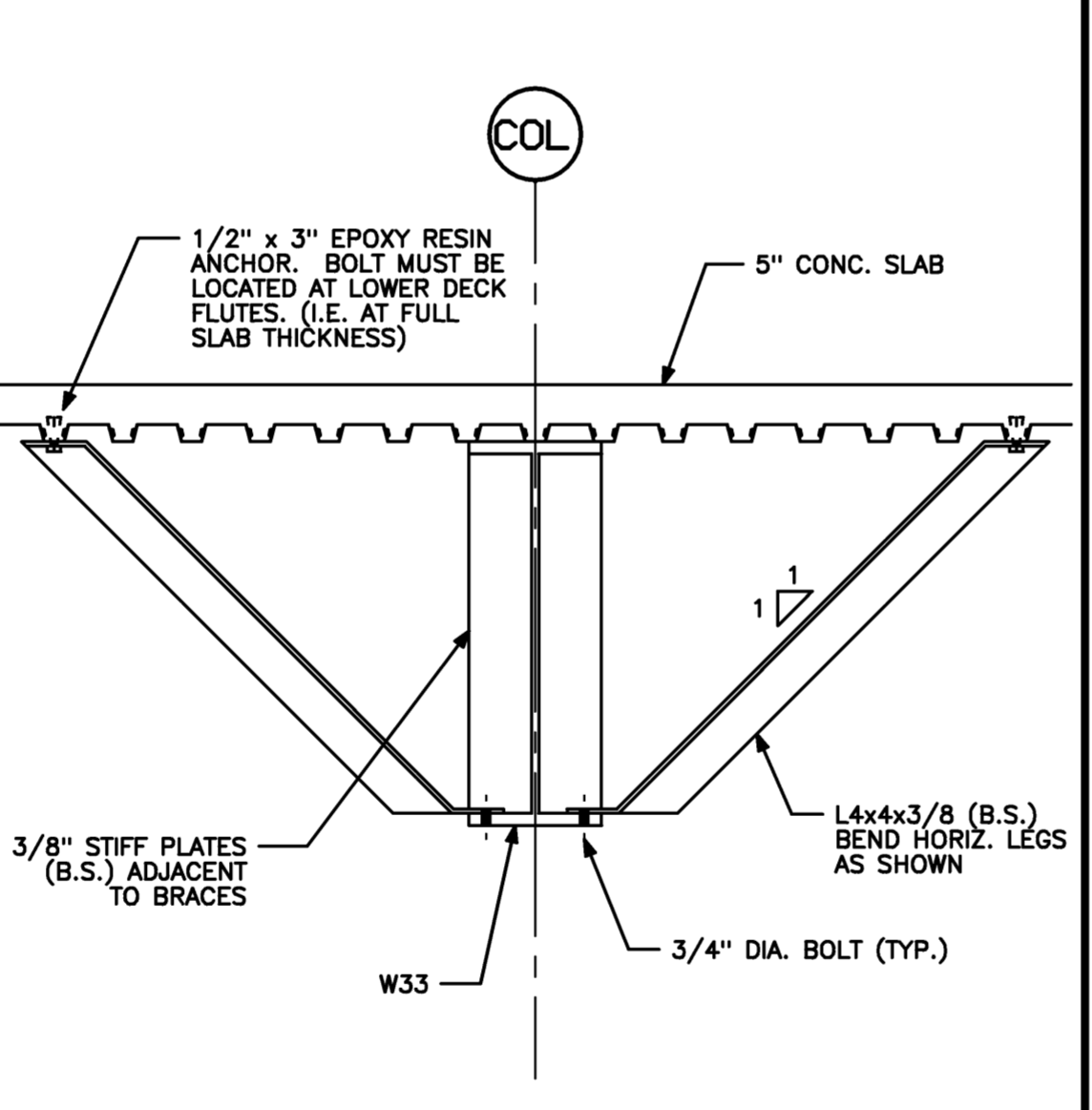
SECTION C1
 3/4" = 1'-0"
 REF: S20.1



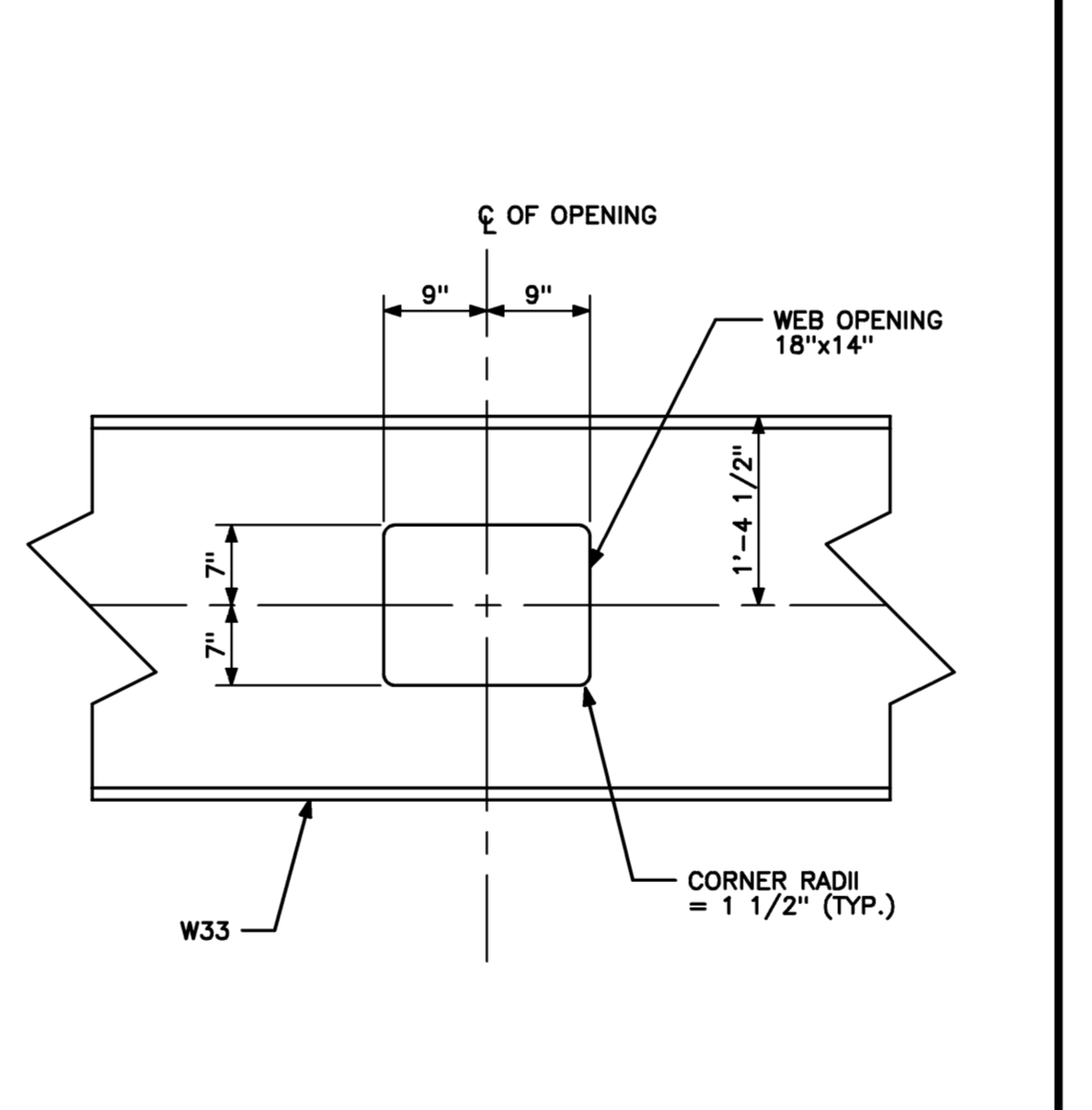
SECTION B5
 3/4" = 1'-0"
 REF: S20.1



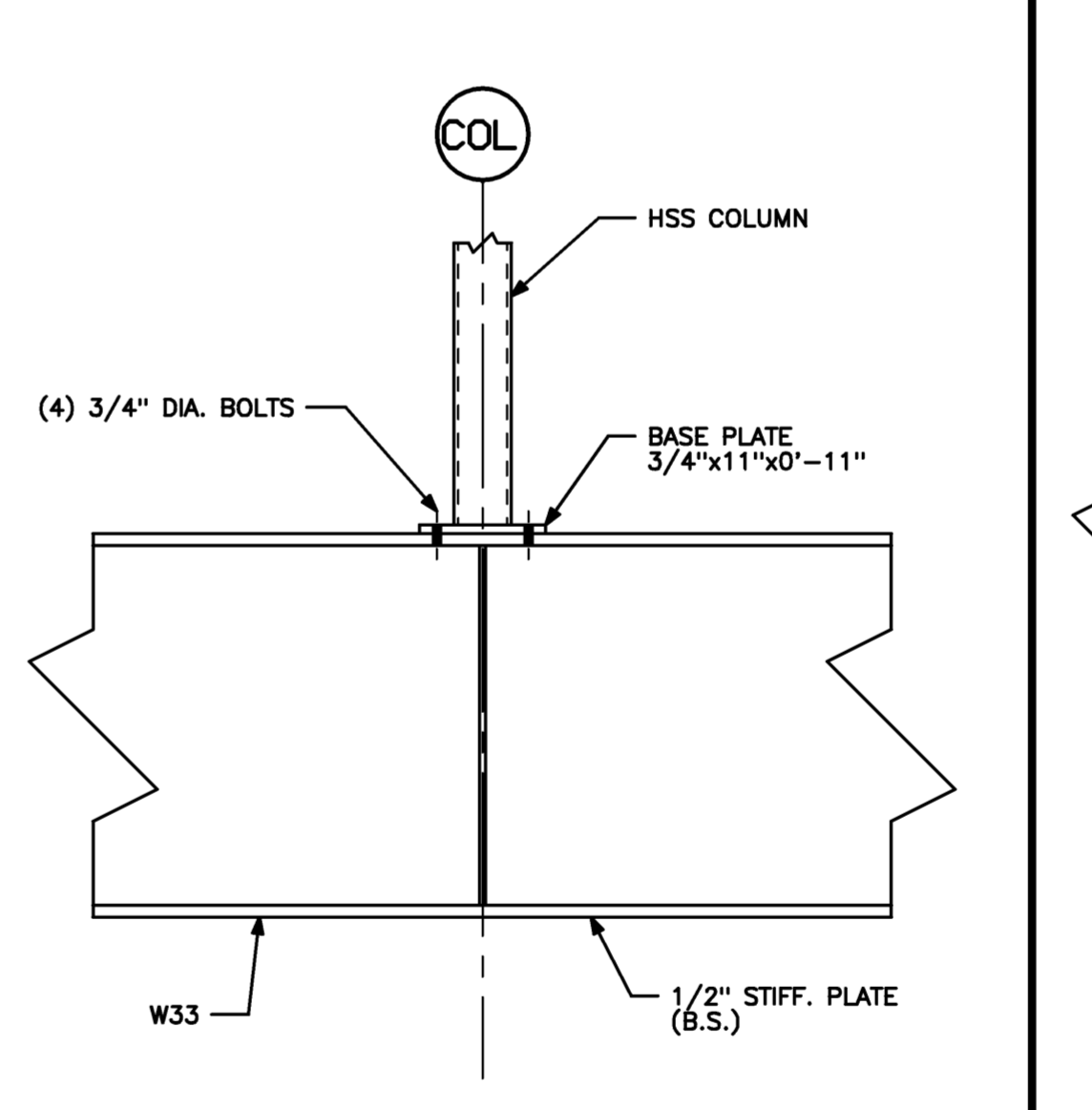
SECTION B4
 3/4" = 1'-0"
 REF: S20.2



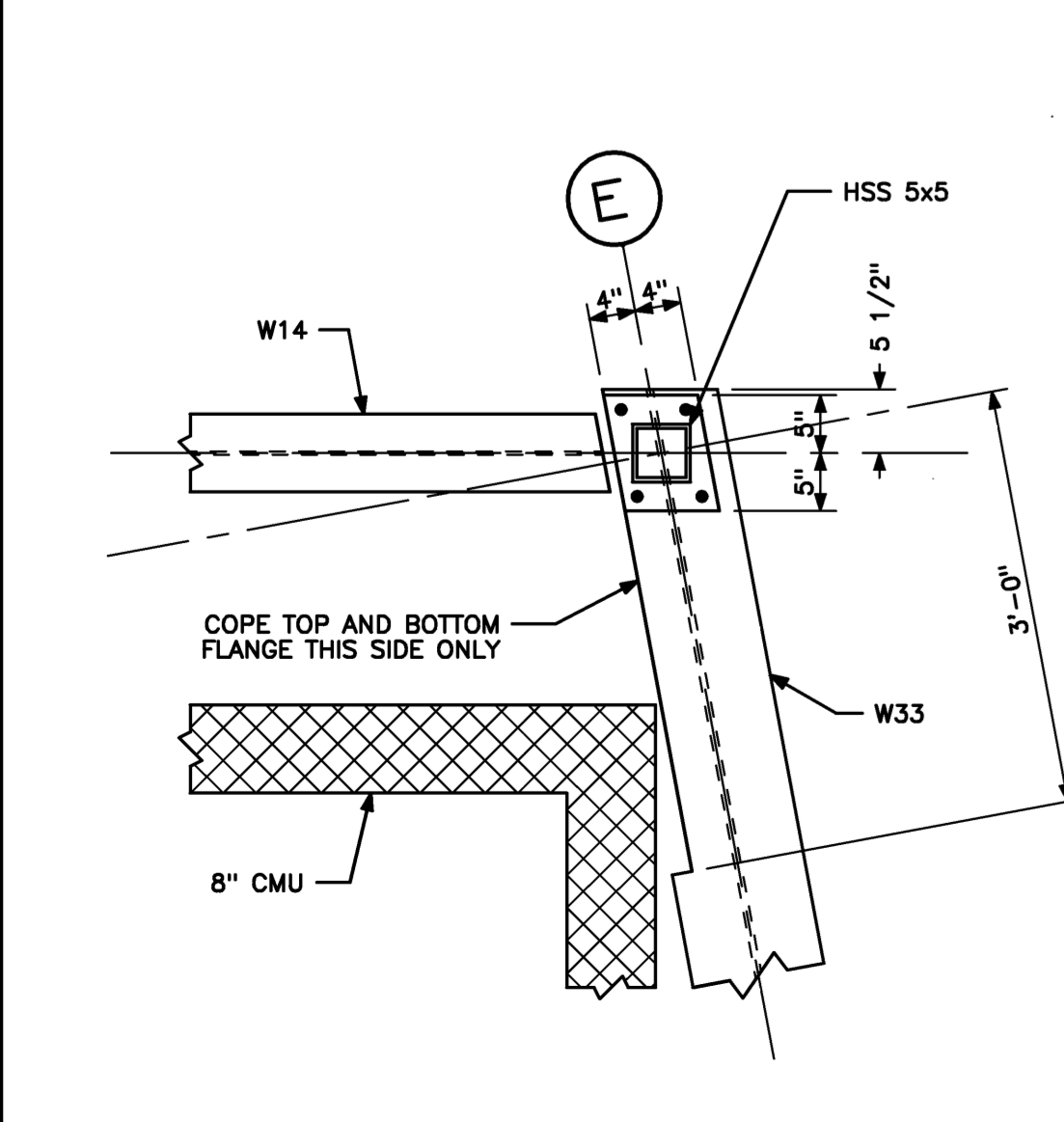
SECTION B3
 3/4" = 1'-0"
 REF: S20.2



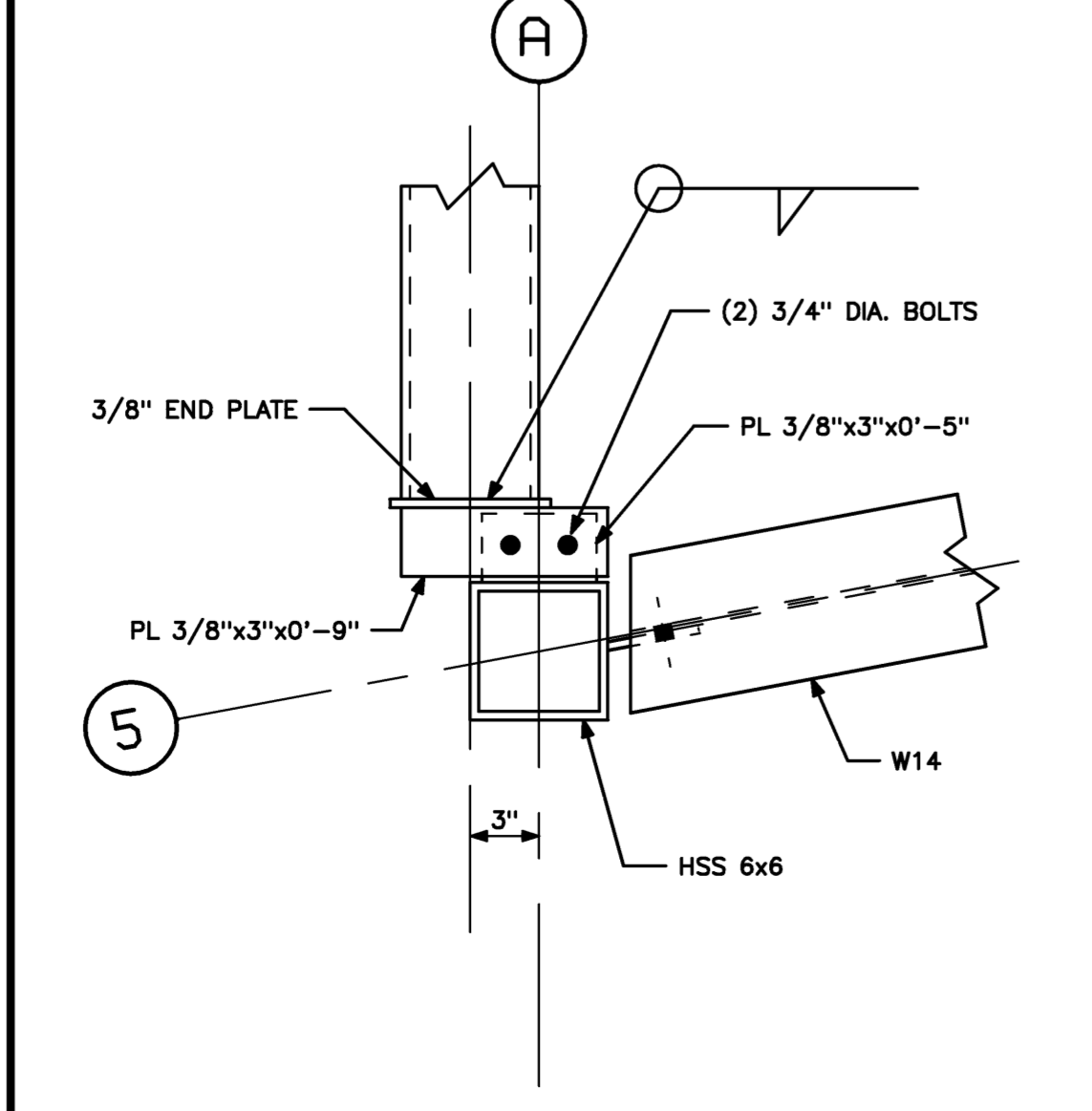
SECTION B2
 3/4" = 1'-0"
 REF: S20.2



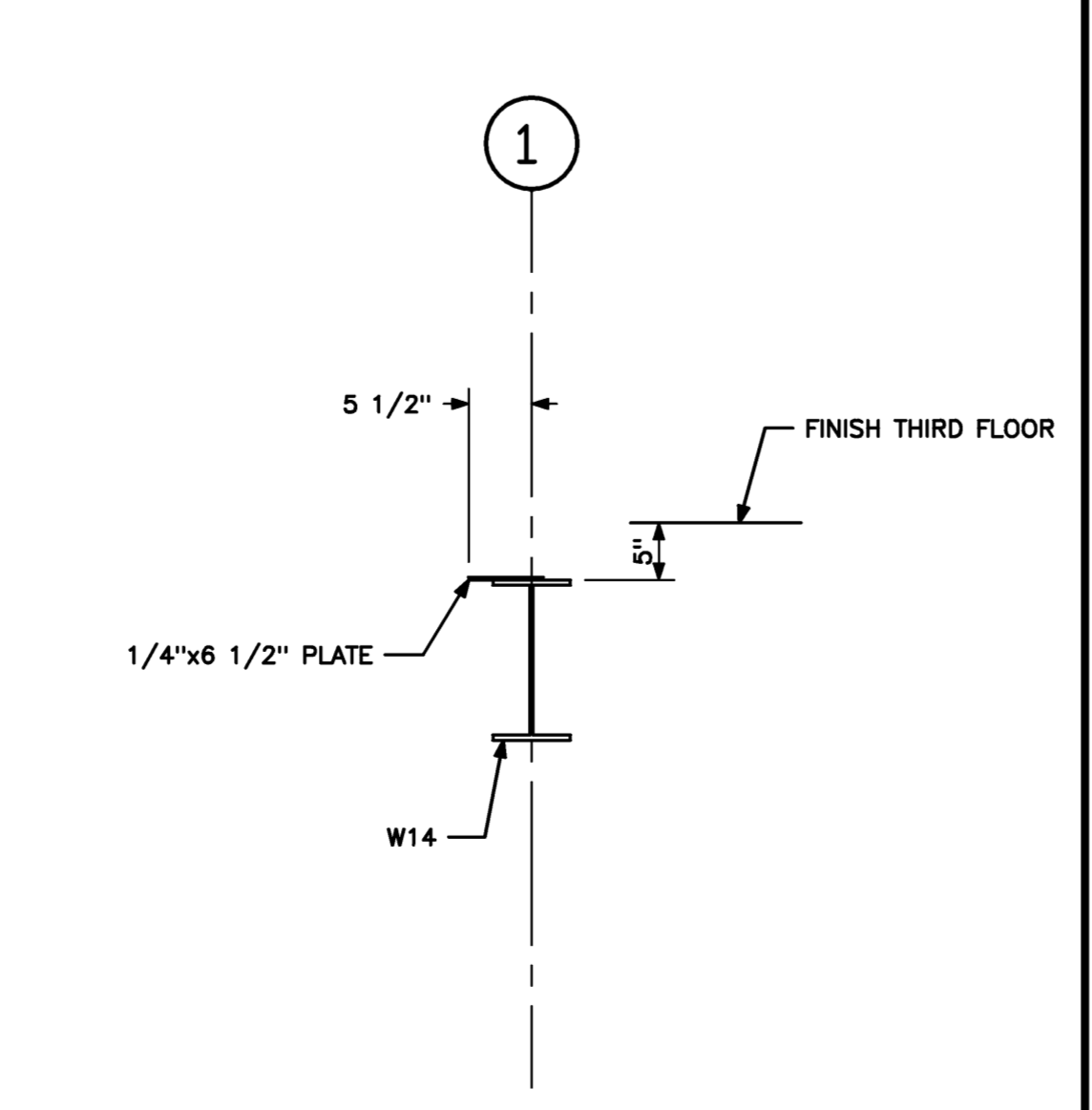
SECTION B1
 3/4" = 1'-0"
 REF: S20.2



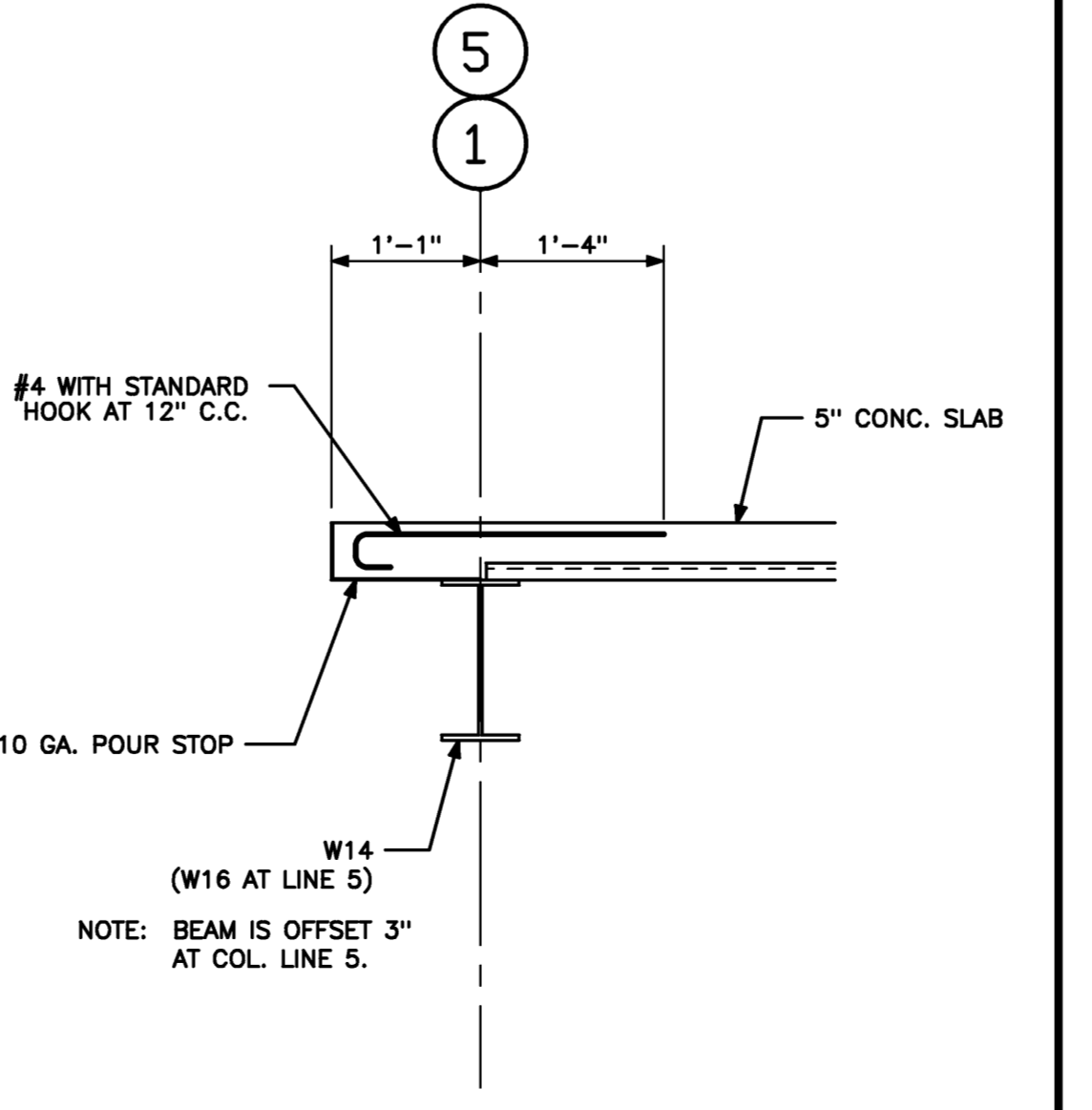
DETAIL A6
 3/4" = 1'-0"
 REF: S20.2



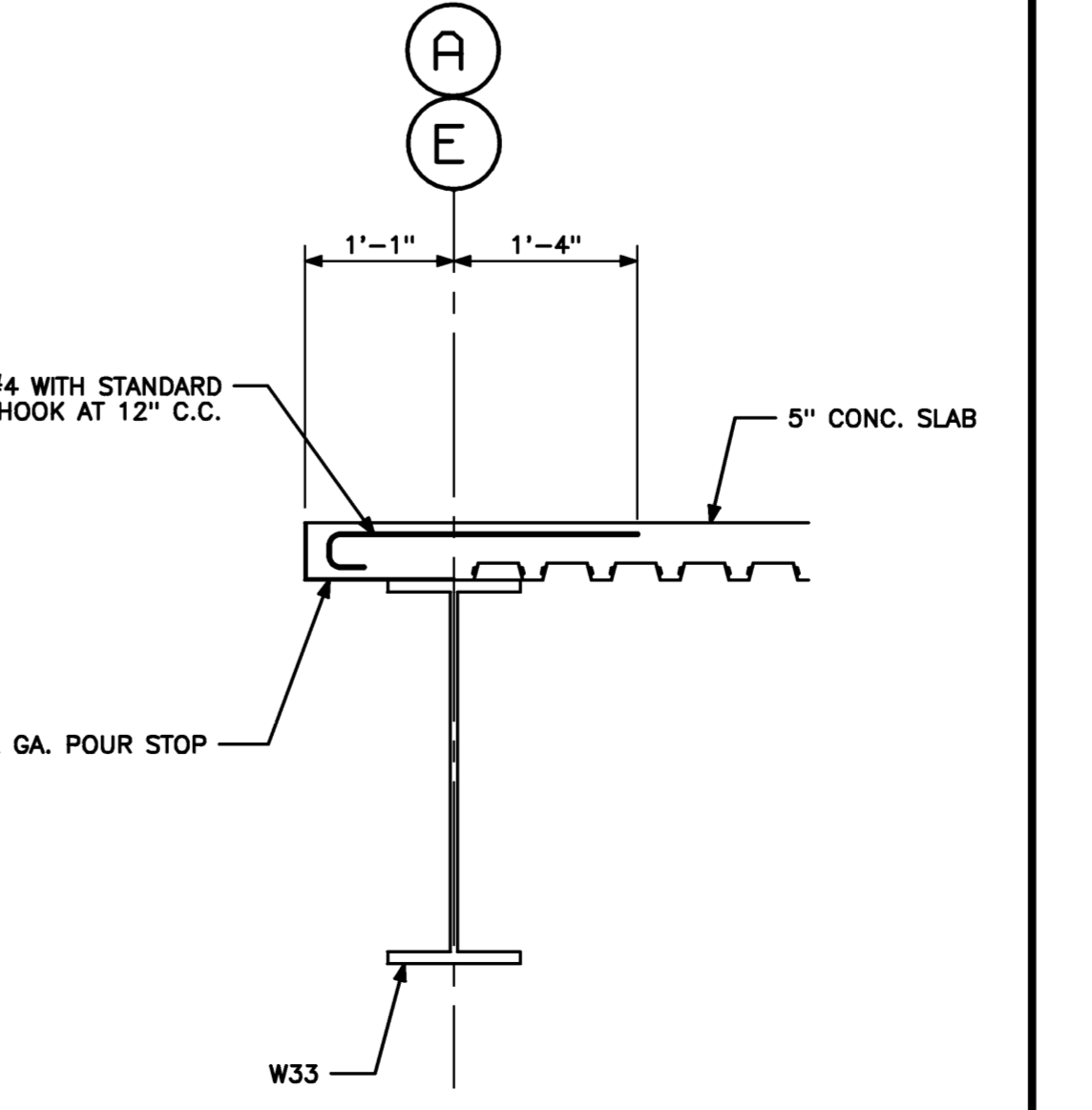
DETAIL A5
 1 1/2" = 1'-0"
 REF: S20.2



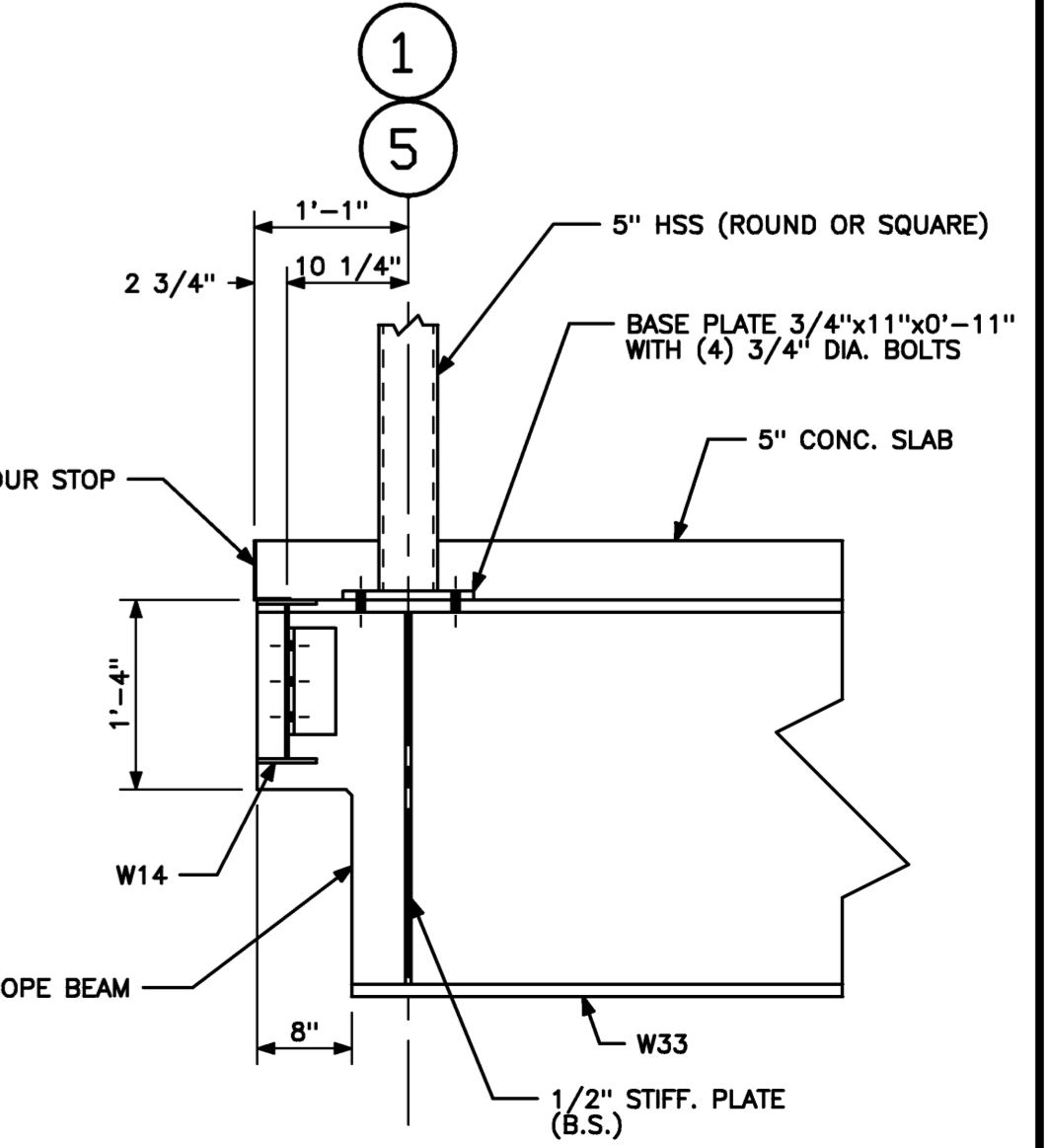
SECTION A4
 3/4" = 1'-0"
 REF: S20.2



SECTION A3
 3/4" = 1'-0"
 REF: S20.2



SECTION A2
 3/4" = 1'-0"
 REF: S20.2



SECTION A1
 3/4" = 1'-0"
 REF: S20.2

Mark	Date	Description
—	04-28-05	ISSUED FOR BID
—	04-11-05	100% REVIEW
Issue Dates		

Drawing Status

Drawing Title
FRAMING DETAILS

PA / PE: **BKB** Drawn By: **MRM**

Drawing Number
S60.2