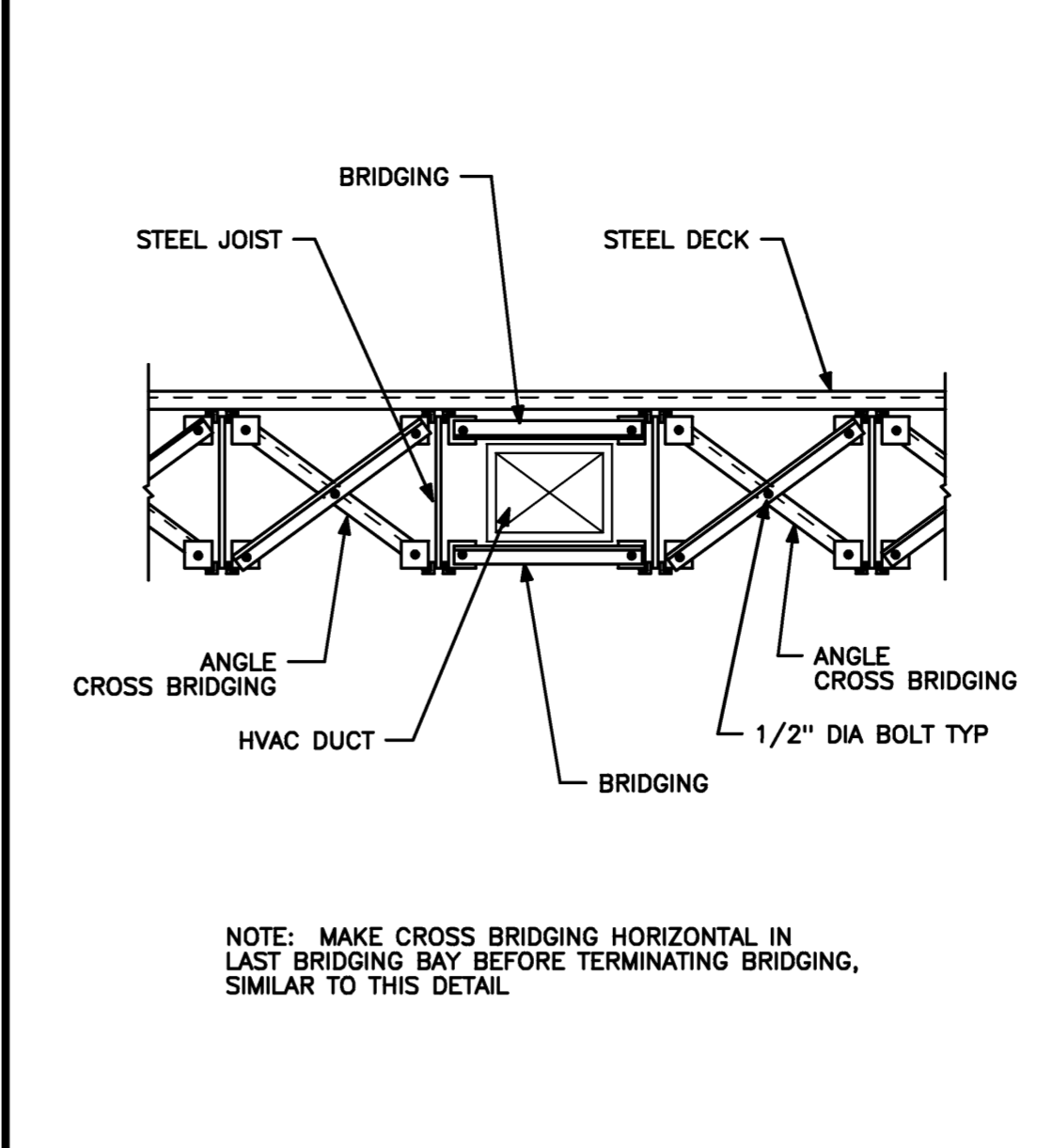
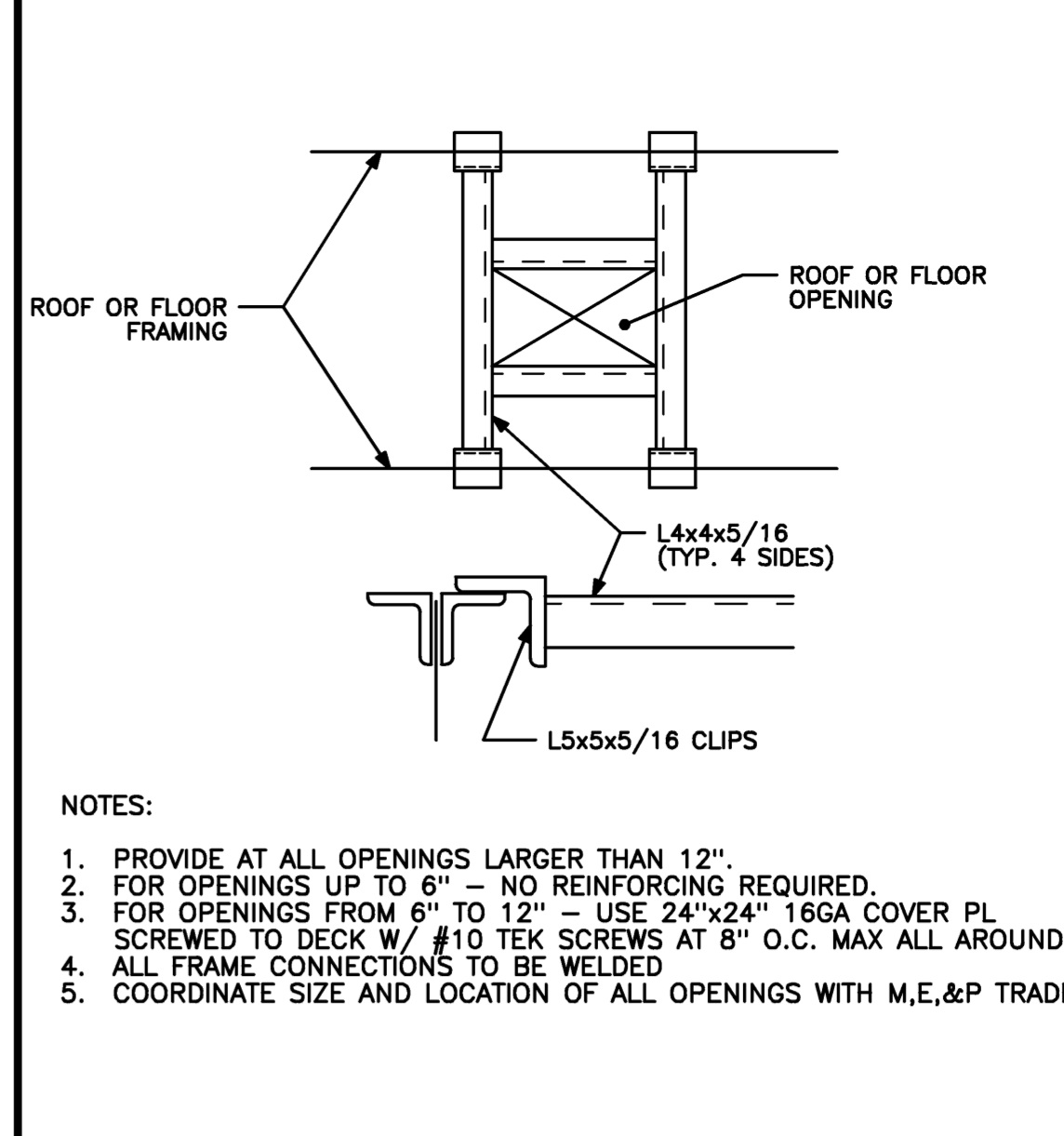


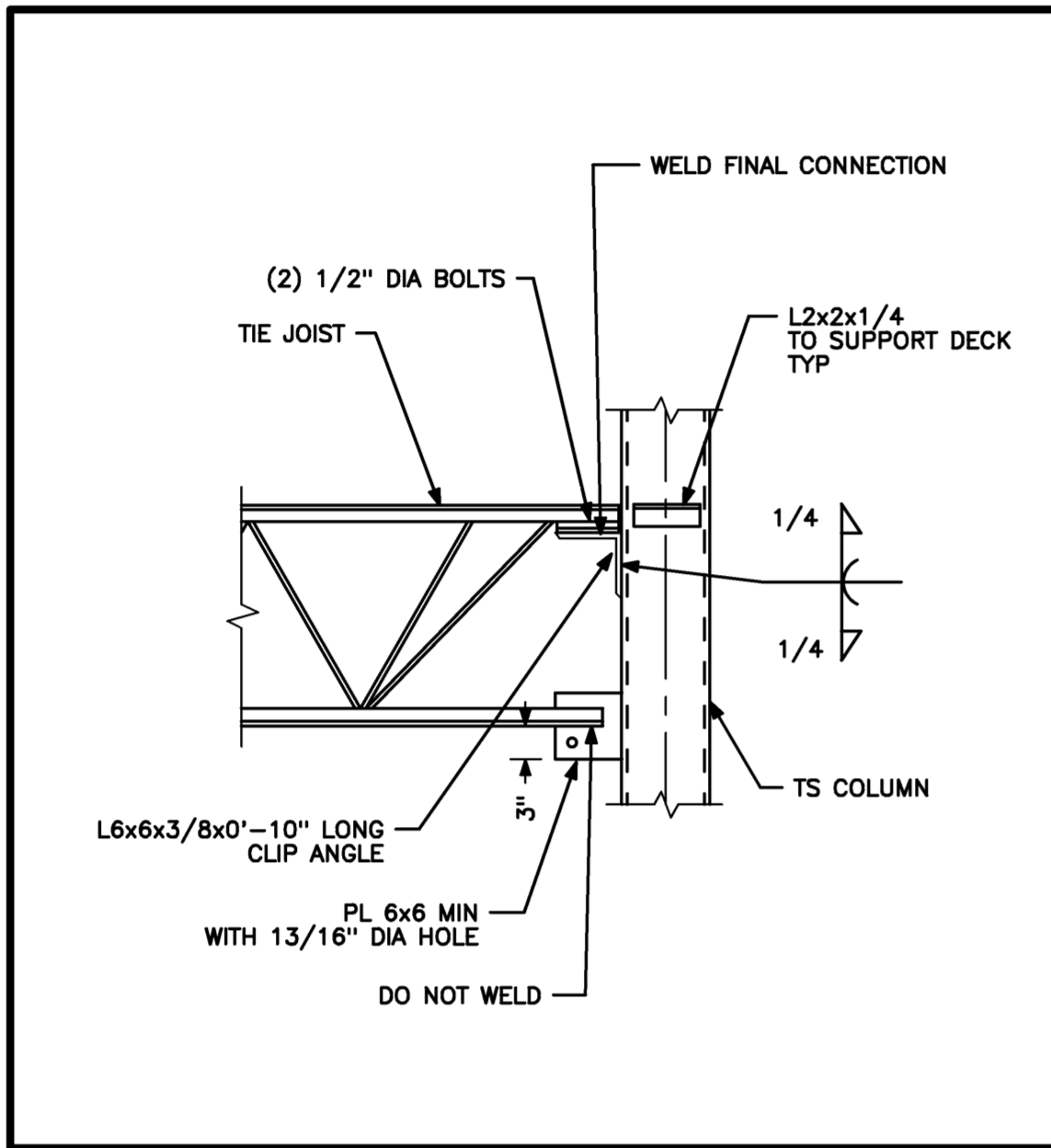
TYPICAL JOIST REINFORCING
 NO SCALE REF: NA **D3**



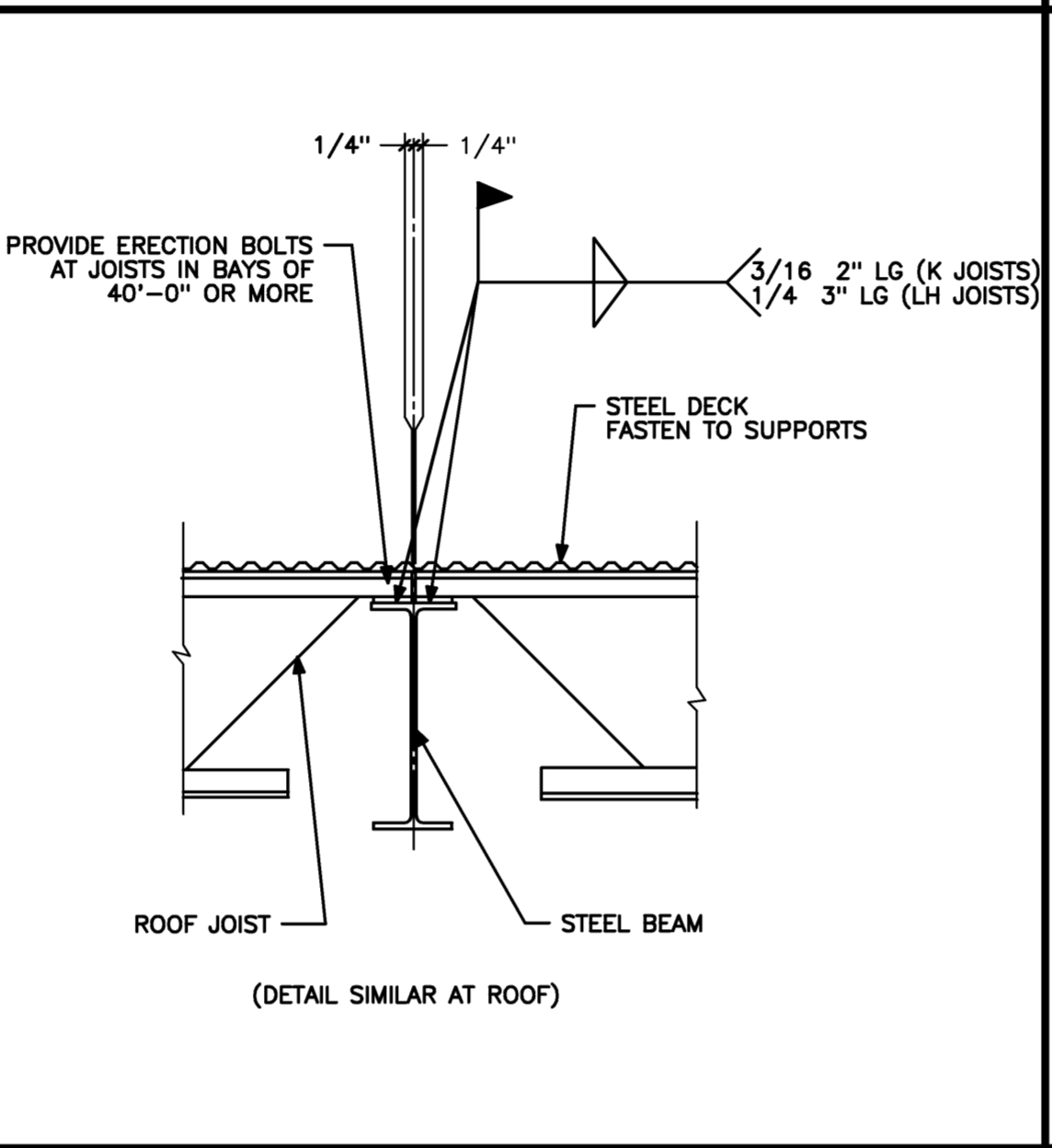
JOIST BRIDGING AT HVAC DUCT
 NO SCALE REF: NA **D2**



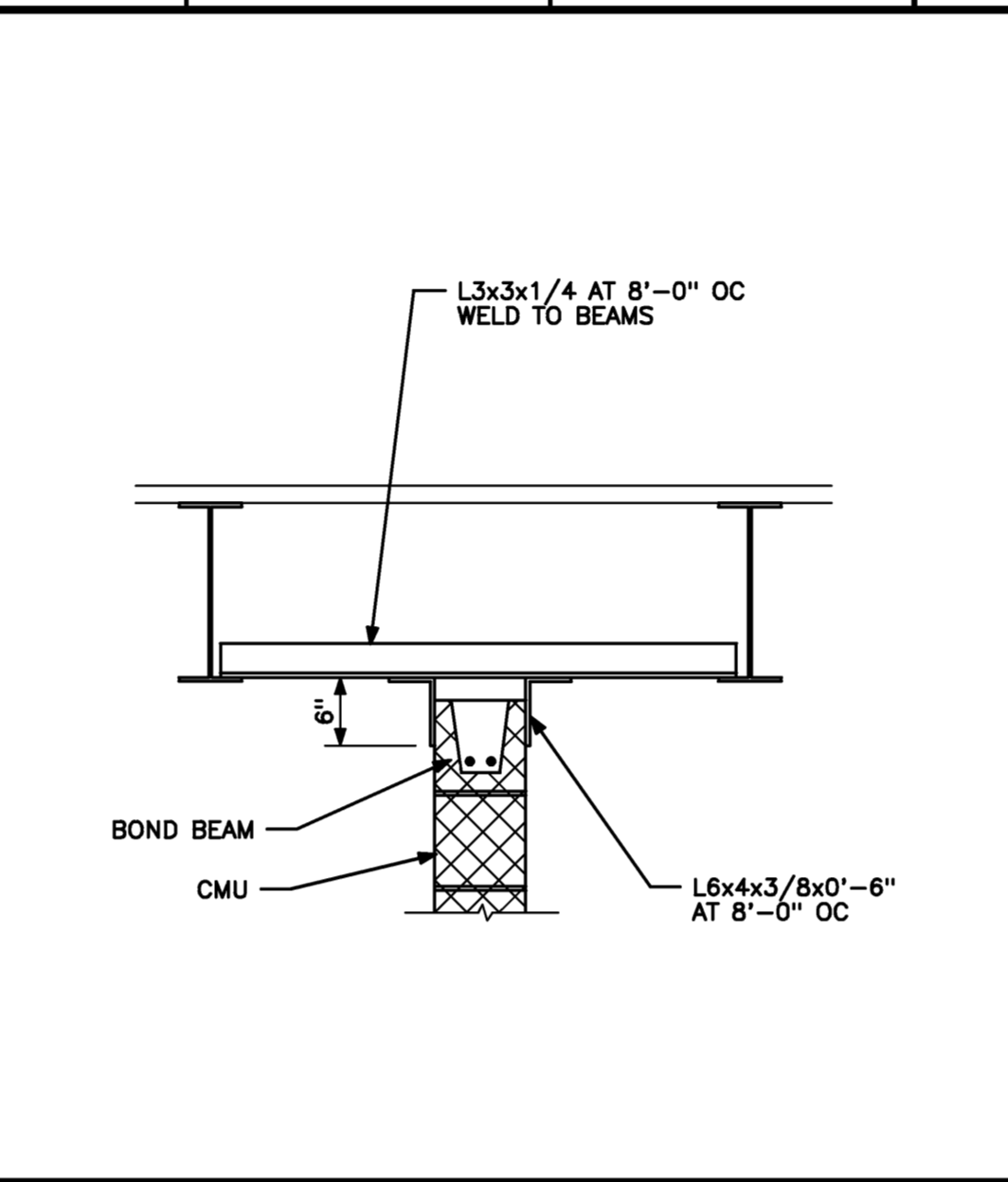
TYPICAL FRAME AT ROOF OR FLOOR OPENING
 NO SCALE REF: NA **D1**



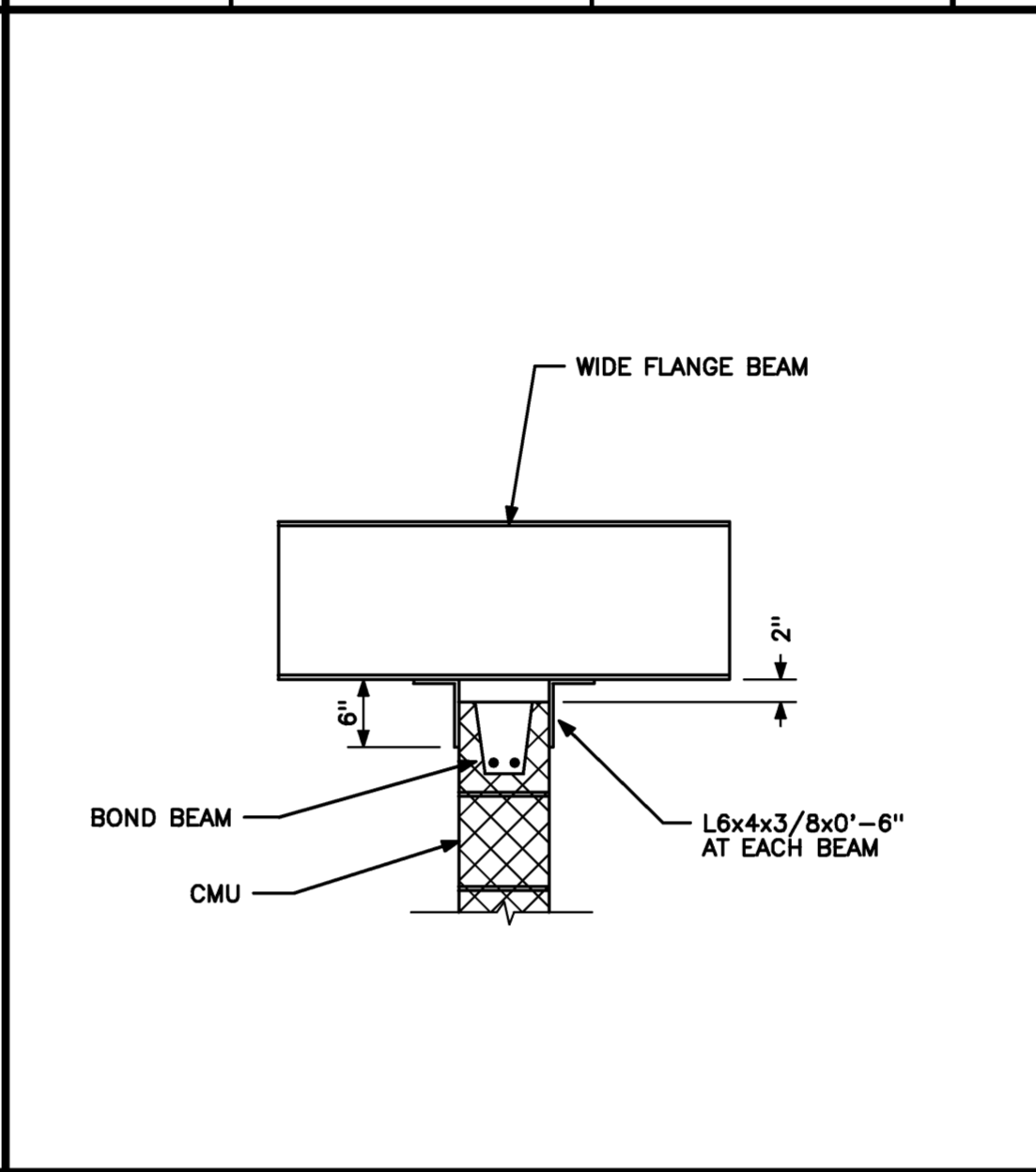
TYPICAL TIE JOIST
 NO SCALE REF: S30.1, S30.2 **C5**



TYPICAL JOIST BEARING ON STEEL BEAM
 NO SCALE REF: S30.1, S30.2 **C4**



TOP OF PARTITION SUPPORT PARALLEL TO BEAM
 NO SCALE REF: S20.2 **C3**



TOP OF PARTITION SUPPORT PERPENDICULAR TO BEAM
 NO SCALE REF: S20.2 **C2**

- MASONRY**
- ALL MASONRY WALLS AND PARTITIONS SHALL BE REINFORCED.
 - COMPRESSIVE STRENGTH OF MASONRY, F'm, SHALL BE MIN. 2,000 PSI.
 - COMPRESSIVE STRENGTH OF LOAD BEARING CONCRETE MASONRY UNITS SHALL BE IN ACCORDANCE WITH ASTM C90.
 - MORTAR SHALL BE TYPE S WITH A MINIMUM COMPRESSIVE STRENGTH OF 1,800 PSI AT 28 DAYS.
 - GROUT SHALL HAVE A COMPRESSIVE STRENGTH OF 3,000 PSI AT 28 DAYS.
 - COMPRESSIVE STRENGTH OF LOAD BEARING BRICK SHALL BE IN ACCORDANCE WITH ASTM S55.
 - EXPANSION BOLTS IN HOLLOW MASONRY WALL SHALL BE LOCATED AT SOLID BLOCK OR BOND BEAM.
 - SMU INDICATES SOLID MASONRY UNITS OR HOLLOW CONCRETE UNITS WITH ALL Voids COMPLETELY FILLED WITH 3,000 PSI CONCRETE OR GROUT.
 - WOOD NAILERS ON MASONRY SHALL BE ANCHORED WITH 1/2" DIA. ANCHOR BOLTS AT 2'-8" O.C. AND EXTEND 6" INTO SOLID MASONRY U.N.O.
 - WHERE BEAMS, JOISTS, OR COLUMNS BEAR ONTO MASONRY, THE MASONRY SHALL BE SOLID OR FILLED SOLID, A MINIMUM OF 2'-0" TO EACH SIDE OF THE CENTERLINE OF BEARING, FOUR COURSES HIGH, OR A CONTIGUOUS CONCRETE FILLED BOND BEAM SHALL BE LOCATED UNDER THE BEARING.
 - MASONRY LOCATED BELOW TOP OF SLAB ON FILL SHALL BE SOLID OR FILLED SOLID.

- STRUCTURAL STEEL**
- STRUCTURAL STEEL SHALL BE ASTM A992, GR. 50 (Fy = 50 KSI), EXCEPT STRUCTURAL TUBING TO BE Fy = 48 KSI, UNLESS NOTED OTHERWISE.
 - FABRICATION SHALL NOT BEGIN UNTIL SHOP DRAWINGS HAVE BEEN APPROVED. CONNECTIONS SHALL BE DESIGNATED BY THE STEEL FABRICATOR.
 - BASE PLATES AND BEARING SHALL BE GROUTED WITH NON-SHRINK GROUT AND AT PROPER GRADE, BEFORE PLACING STEEL.
 - CONTRACTOR SHALL APPLY TWO COATS OF ASPHALT TO COLUMNS AND BASE PLATES EXPOSED TO FILL AFTER COLUMN IS IN PLACE.
 - STEEL BEAMS ENCASED IN CONCRETE SHALL RECEIVE CLIPS OR BE WRAPPED WITH WIRE MESH, UNLESS NOTED OTHERWISE.

- UNLESS NOTED OTHERWISE:
- STEEL BEAMS TO RECEIVE WOOD NAILERS SHALL HAVE BOLT HOLES DRILLED FOR 1/2" DIA. BOLTS AT 2'-8" +/- O.C. STAGGERED.
 - END SUPPORTS FOR K SERIES JOISTS:
 - THE ENDS OF JOISTS SHALL EXTEND A DISTANCE OF NOT LESS THAN 2 1/2' OVER STEEL SUPPORTS AND WHEN LOADED FROM ONE SIDE ONLY AT LEAST 1' OVER STEEL SUPPORT CENTERLINE.
 - THE ENDS OF JOIST BRIDGING LINES TERMINATING AT WALLS OR BEAMS SHALL BE ANCHORED THERE TO BY BOLTING OR WELDING.
 - VERIFY WITH MECHANICAL DRAWINGS FOR LOCATION OF DUCTS, PIPING, ETC. THROUGH FLOOR AND ROOF CONSTRUCTION BEFORE SPACING JOISTS.
 - ALL STEEL CONNECTIONS NOT SPECIFICALLY DETAILED IN STRUCTURAL DRAWINGS TO BE DESIGNED AND DETAILED BY A PROFESSIONAL ENGINEER HIRED BY THE STEEL FABRICATOR. THE COMPLETE CONNECTION DESIGN PACKAGE WITH ALL SUPPORTING CALCULATIONS SHALL BE STAMPED BY THE PROFESSIONAL ENGINEER AND FORWARDED TO HARRIMAN ASSOCIATES PRIOR TO OR WITH THE STRUCTURAL STEEL SHOP DRAWINGS FOR REVIEW AND APPROVAL. SHOP DRAWINGS WILL NOT BE REVIEWED WITHOUT ALL SUPPORTING CONNECTION CALCULATIONS PROVIDED.

- ROOF DECK 1 1/2" - TYPE B, 22 GAGE (PAINTED)
- FASTENING PATTERN:**
 DECK ATTACHMENT - 5/8" DIA. PUDDLE WELDS OR APPROVED MECHANICAL FASTENERS.
 PATTERN - 3/8" S
 SIDELAPS - #10 TEK SCREWS AT 10" CC MAX.
- COMPOSITE STEEL FLOOR DECK
- COMPOSITE FLOOR DECK SHALL BE 1 1/2", 20 GAGE. (GALV. G60)

- FASTENING PATTERN:**
 DECK ATTACHMENT - 5/8" DIA. PUDDLE WELDS OR APPROVED MECHANICAL FASTENERS.
 PATTERN - AT SUPPORTS, MAX 12" CC
 SIDELAPS - #10 TEK SCREWS AT 24" MAX.
- MISCELLANEOUS**
- CONTRACTOR SHALL VERIFY ALL DIMENSIONS AND EXISTING CONDITIONS BEFORE PROCEEDING WITH THE WORK.
 - CONTRACTOR SHALL REPORT ANY VARIATIONS FOUND AT SITE BEFORE PROCEEDING WITH THAT PART OF THE WORK.

DESIGN CODE = 2003 IBC AND ASCE 7-02.

DESIGN LOADS

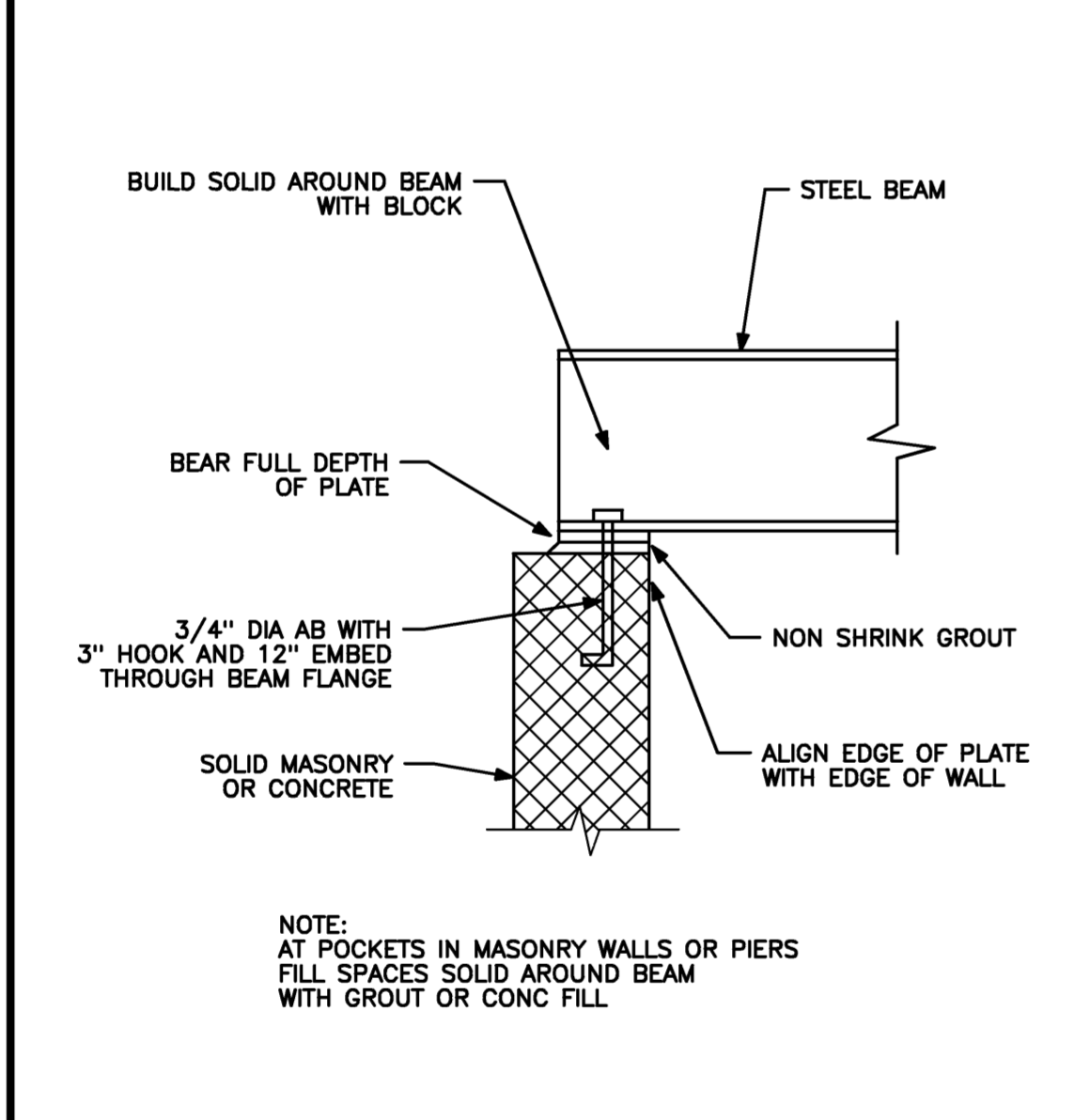
LIVE LOADS - OFFICE AREAS = 80 PSF
 LOBBIES, STAIRS, AND EXITS = 100 PSF
 CORRIDORS (UPPER LEVELS) = 80 PSF
 PARKING AREAS = 50 PSF (FROM ORIGINAL DESIGN)

SNOW LOAD - Pg = 60 PSF
 Ce = 1.0
 Ct = 1.0
 Is = 1.0
 Pf = 42 PSF

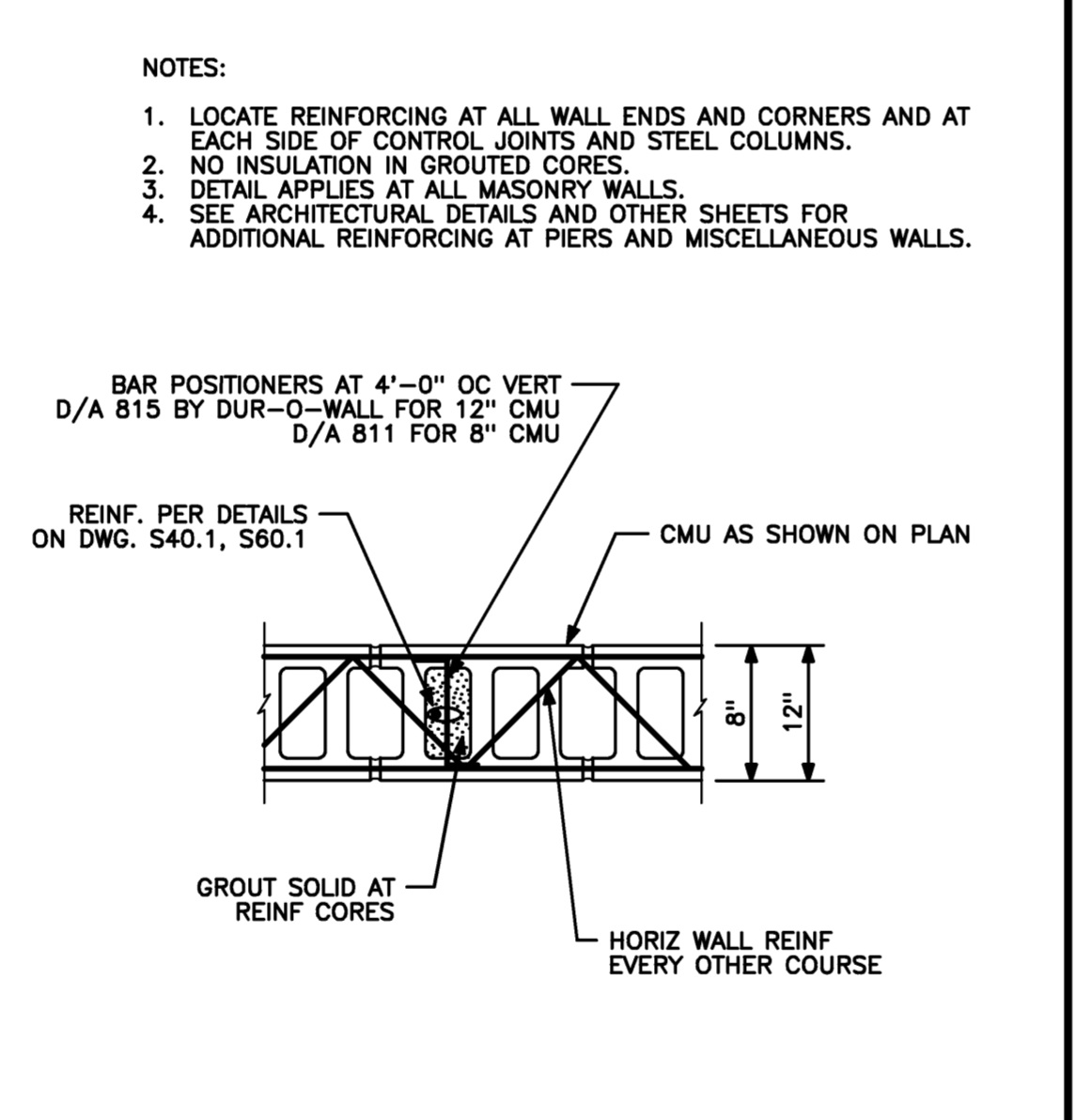
WIND LOAD - BASIC WIND SPEED (V) = 100 MPH (3 SEC GUST)
 Iw = 1.00 (CATEGORY II)
 EXPOSURE CATEGORY - C
 INT. PRESSURE COEF. (Gcpi) = +/- 0.18

COMPONENTS AND CLADDING:
 COMPONENT TRIBUTARY AREA = 56 SQ. FT.
 WIND PRESSURE = -28 PSF (FIELD WALLS)
 = -28 PSF (CORNER WALLS)
 PRESSURES SHALL BE ADJUSTED FOR COMPONENTS WITH TRIBUTARY AREAS DIFFERENT THAN ABOVE.

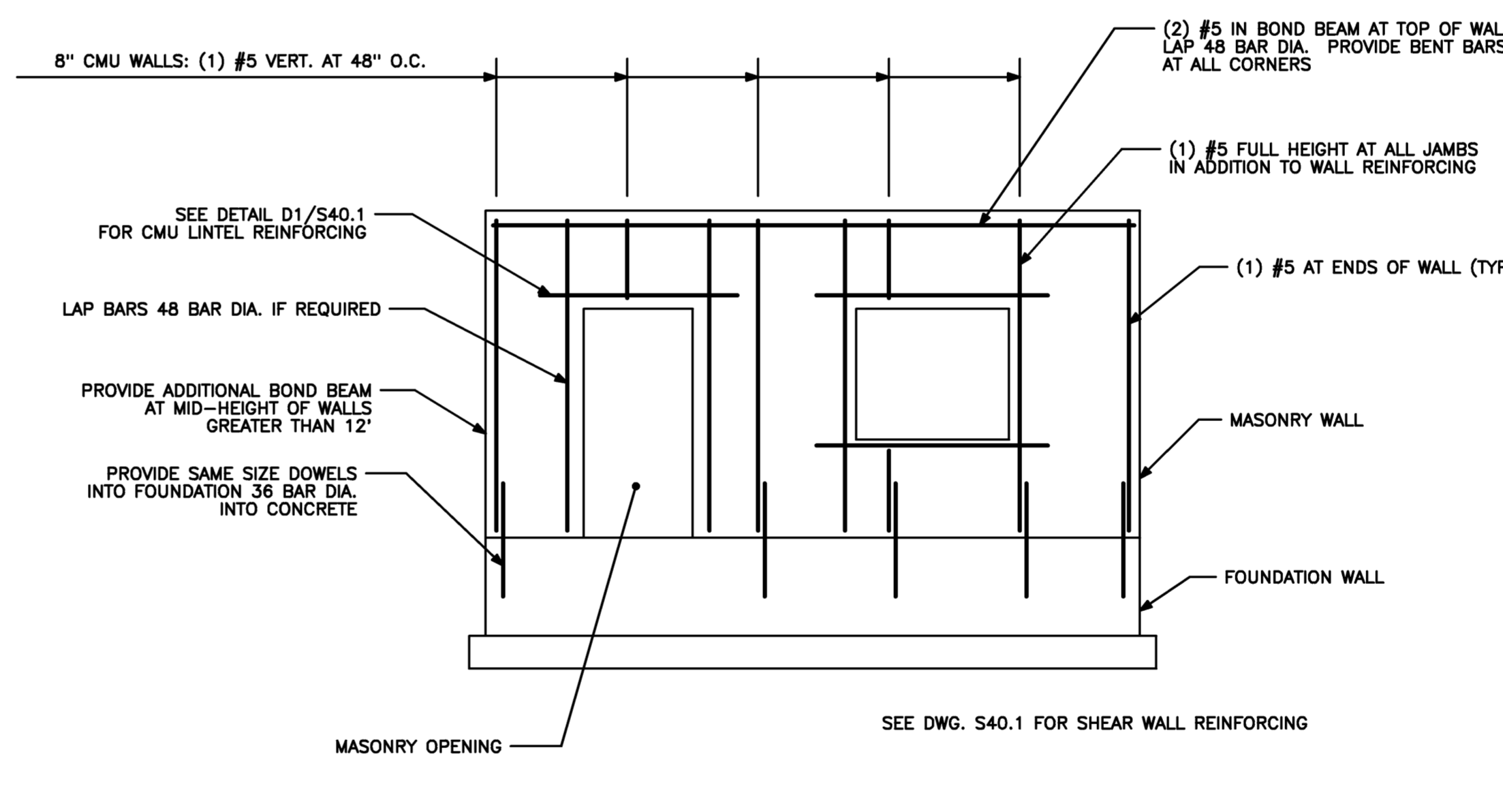
SEISMIC LOAD - SEISMIC USE GROUP = II
 Ie = 1.00 (CAT. II)
 SITE CLASS = D
 Ss = 0.370; S1 = 0.098
 Sds = 0.370; Sd1 = 0.157
 SEISMIC DESIGN CATEGORY - C
 S.F.F. SYSTEM = MASONRY SHEAR WALLS
 ANALYSIS PROCEDURE = EQUIVALENT LATERAL FORCE
 R = 5.5 (SPECIAL REINFORCED MASONRY SHEAR WALLS)
 BASE SHEAR (V) = 0.067W



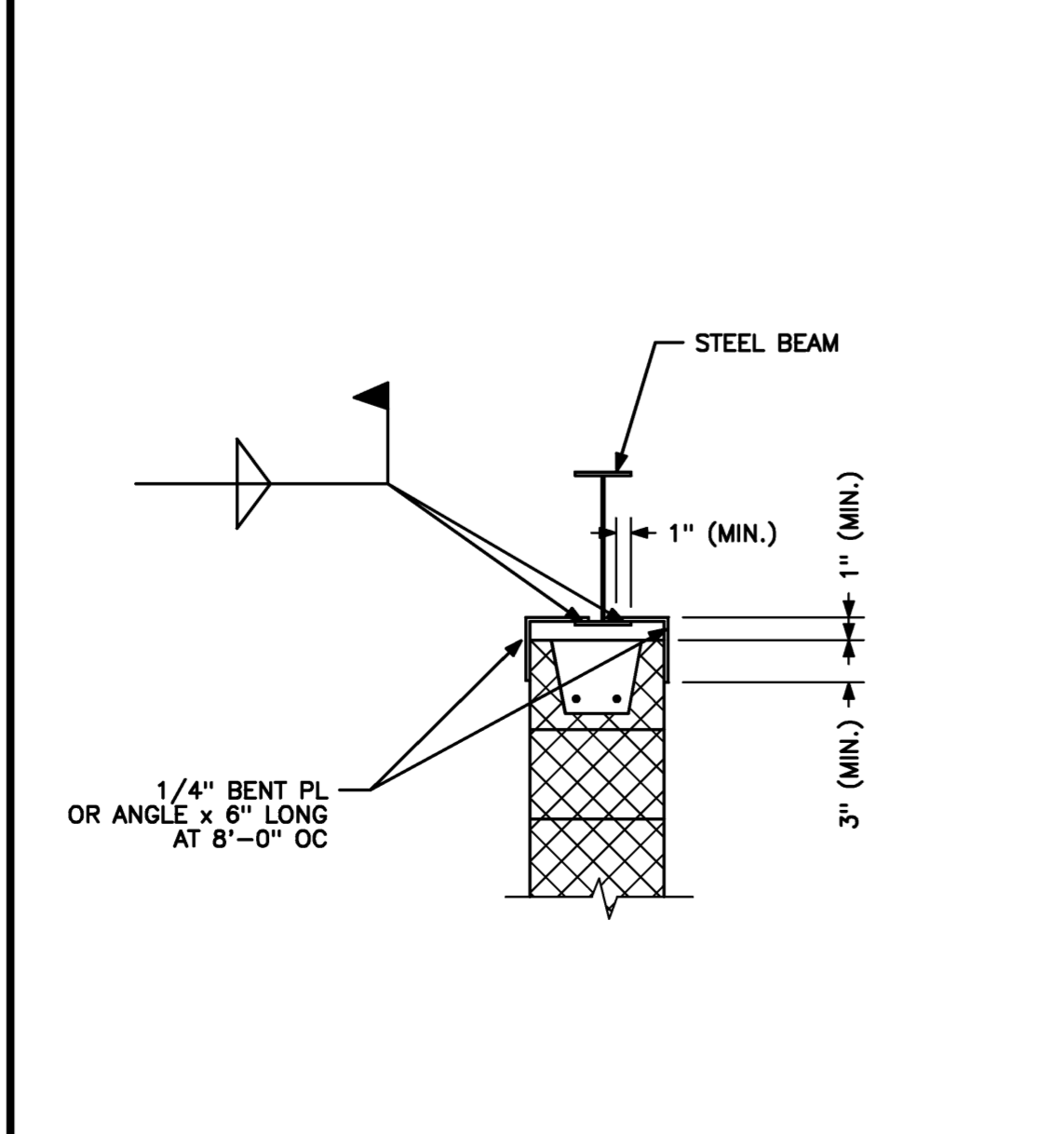
TYPICAL BEAM BEARING DETAIL
 NO SCALE REF: NA **B5**



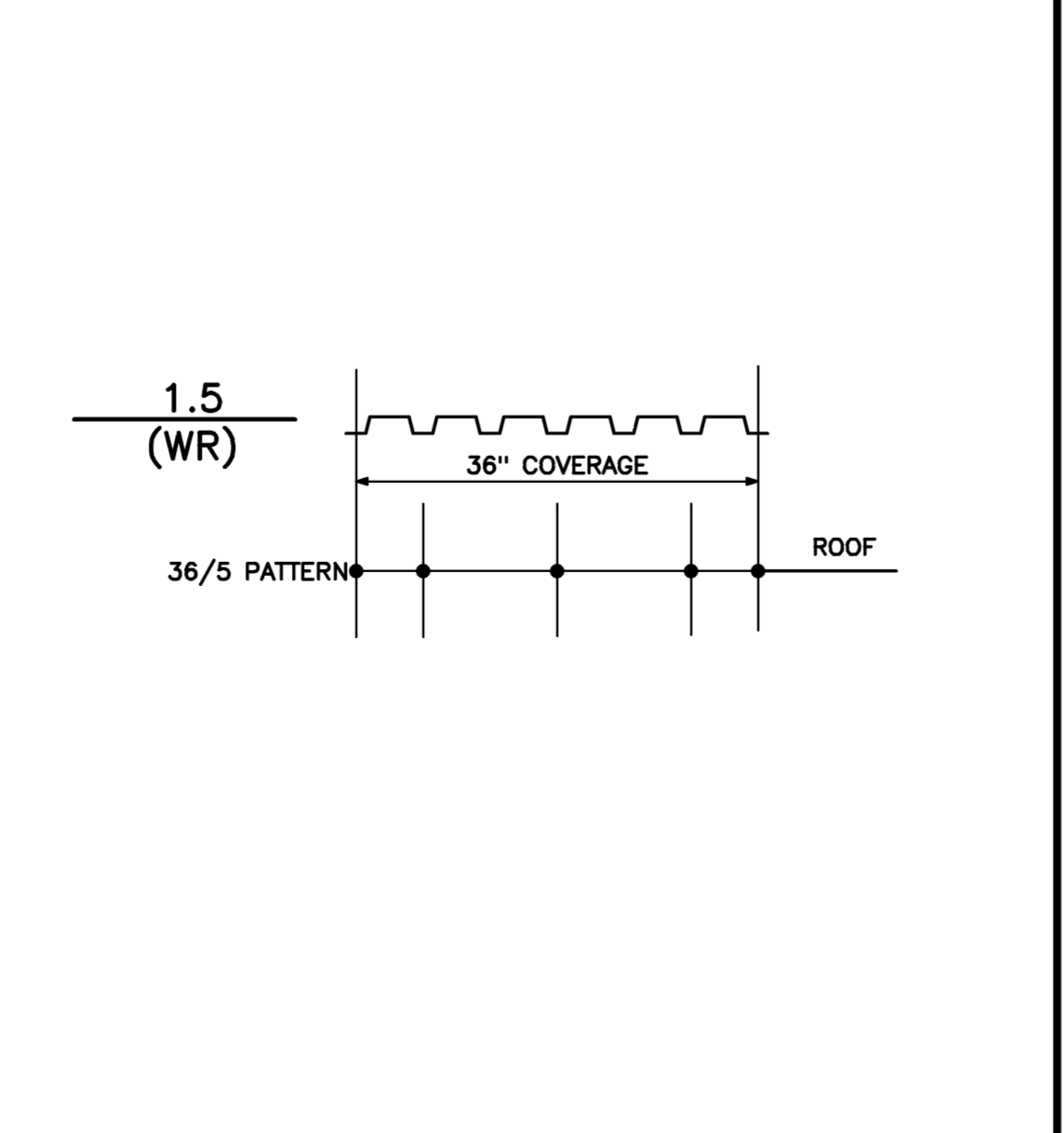
TYPICAL MASONRY REINFORCING PLAN
 NO SCALE REF: NA **B4**



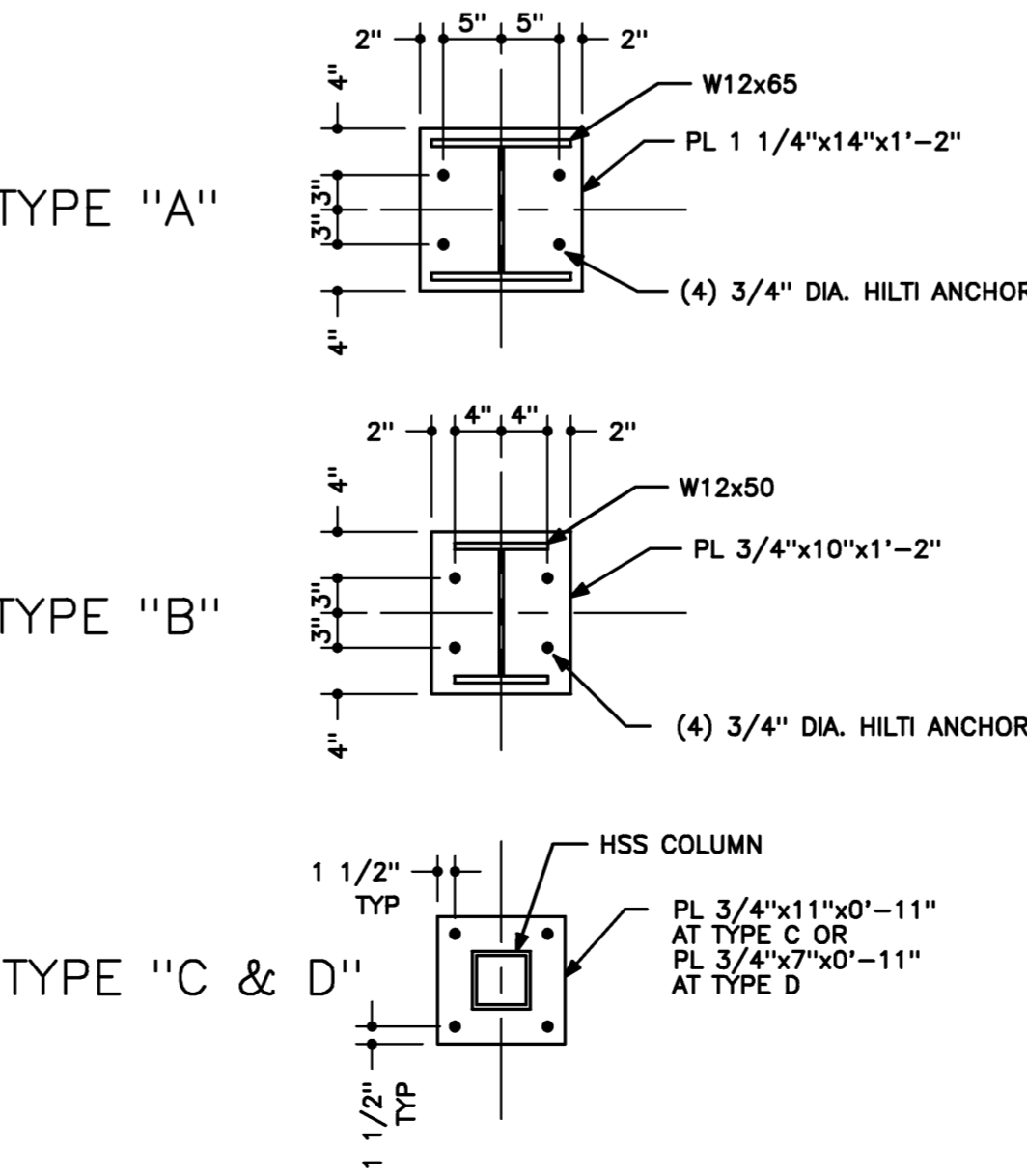
TYPICAL MASONRY WALL REINFORCING ELEVATION AT NON-SHEAR WALL LOCATIONS
 NO SCALE REF: S10.1, S20.1, S20.2 **B2**



TOP OF PARTITION SUPPORT PARALLEL TO BEAM
 NO SCALE REF: S20.2 **A5**



TYPICAL ROOF DECK FASTENER LAYOUT
 NO SCALE REF: S30.1, S30.2 **A4**



BASE PLATE TYPES
 NO SCALE REF: NA **A3**

EXTERIOR BRICK VENEER LINTEL SCHEDULE

MASONRY OPENING	SIZE	BEARING
LESS THAN 11'-0"	L6x6x3/8	8" MIN. ON SGMU
11'-0" TO 12'-8"	BENT PLATE 8x6x3/8	8" MIN. ON SGMU

NOTES:
 1. LINTEL FOR EXTERIOR BRICK VENEER SHALL BE HOT-DIPPED GALVANIZED.
 2. "SGMU" INDICATES SOLID GROUTED MASONRY UNIT.
 3. LINTEL IS SIZED FOR 4" WIDTH OF MASONRY.

CONCRETE MASONRY LINTEL SCHEDULE

MASONRY OPENING	SIZE	BEARING
4'-10" OR LESS	L4x3 1/2x5/16 (LLV)	8" MIN. ON SGMU
4'-10" TO 7'-0"	L5x3 1/2x5/16 (LLV)	8" MIN. ON SGMU
7'-0" TO 9'-0"	L6x3 1/2x3/8 (LLV)	8" MIN. ON SGMU

NOTES:
 1. ONE ANGLE REQUIRED FOR EVERY 4" OF MASONRY.
 2. MULTIPLE ANGLES SHALL BE WELDED BACK TO BACK.
 3. THIS SCHEDULE ALSO APPLIES TO BLOCK AND BRICK VENEER LOCATED IN EXISTING PORTIONS OF THE BUILDING.
 4. "SGMU" INDICATES SOLID GROUTED MASONRY UNIT.

STEEL LINTEL SCHEDULES
 NO SCALE REF: NA **A2**

GENERAL NOTES
 NO SCALE REF: NA **A1**

Mark	Date	Description
-	04-28-05	ISSUED FOR BID
-	04-11-05	100% REVIEW

Drawing Status

Drawing Title
FRAMING NOTES AND DETAILS
 PA / PE: **BKB** Drawn By: **MRM**
 Drawing Number

S60.1