

SECTION **D6**
 3/4\" = 1'-0"
 REF: S20.1

SECTION **D5**
 3/4\" = 1'-0"
 REF: S50.1

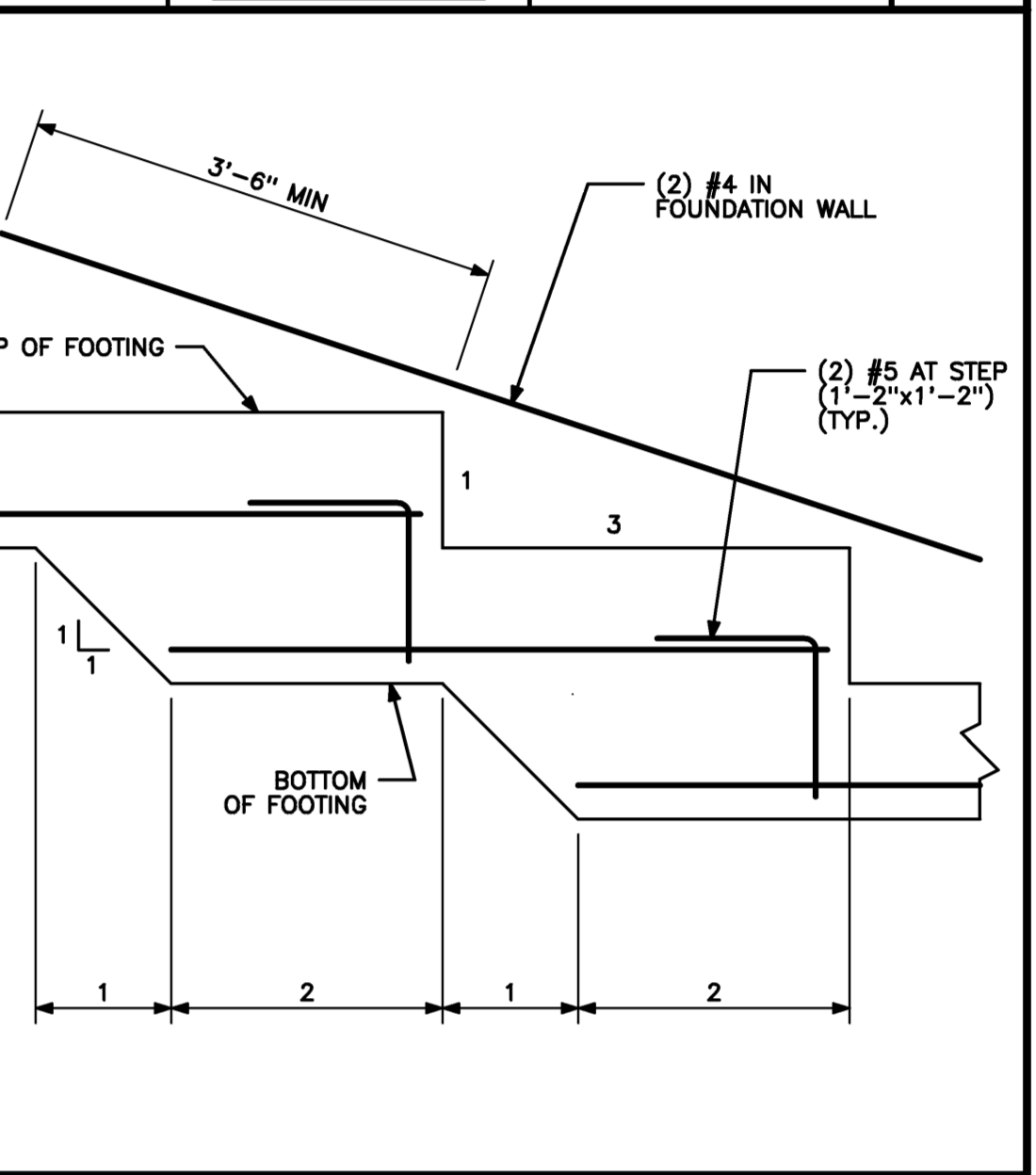
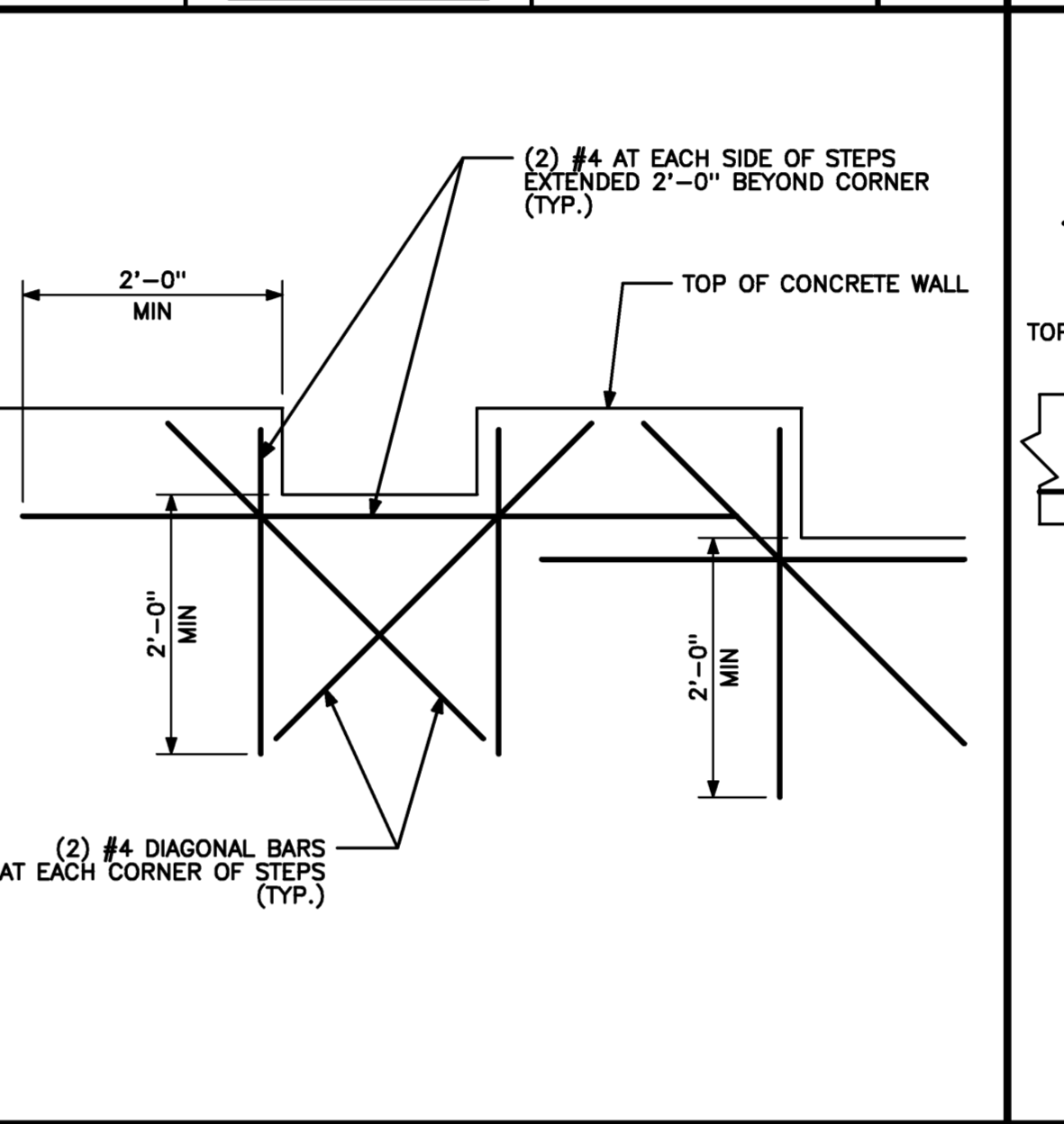
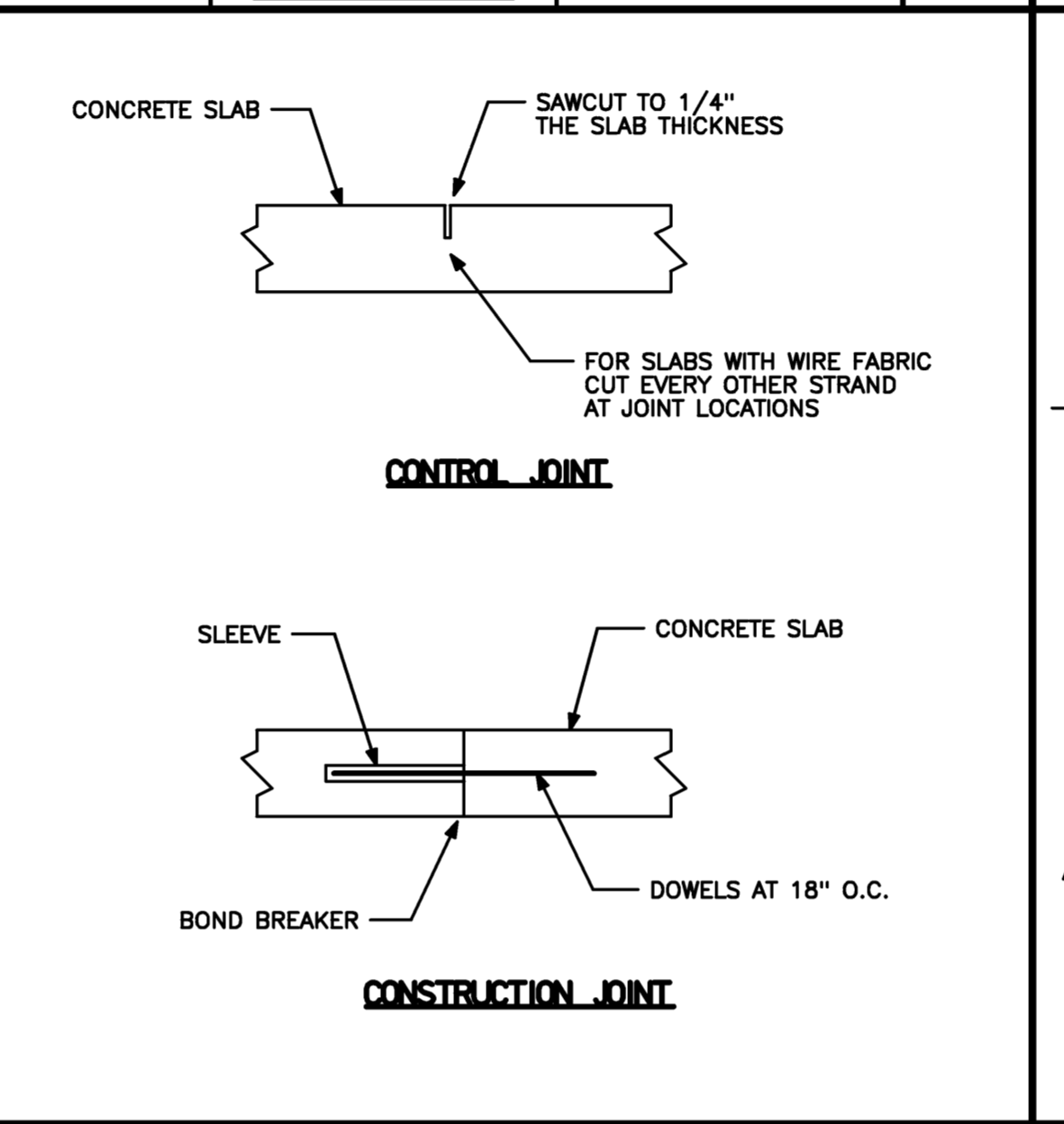
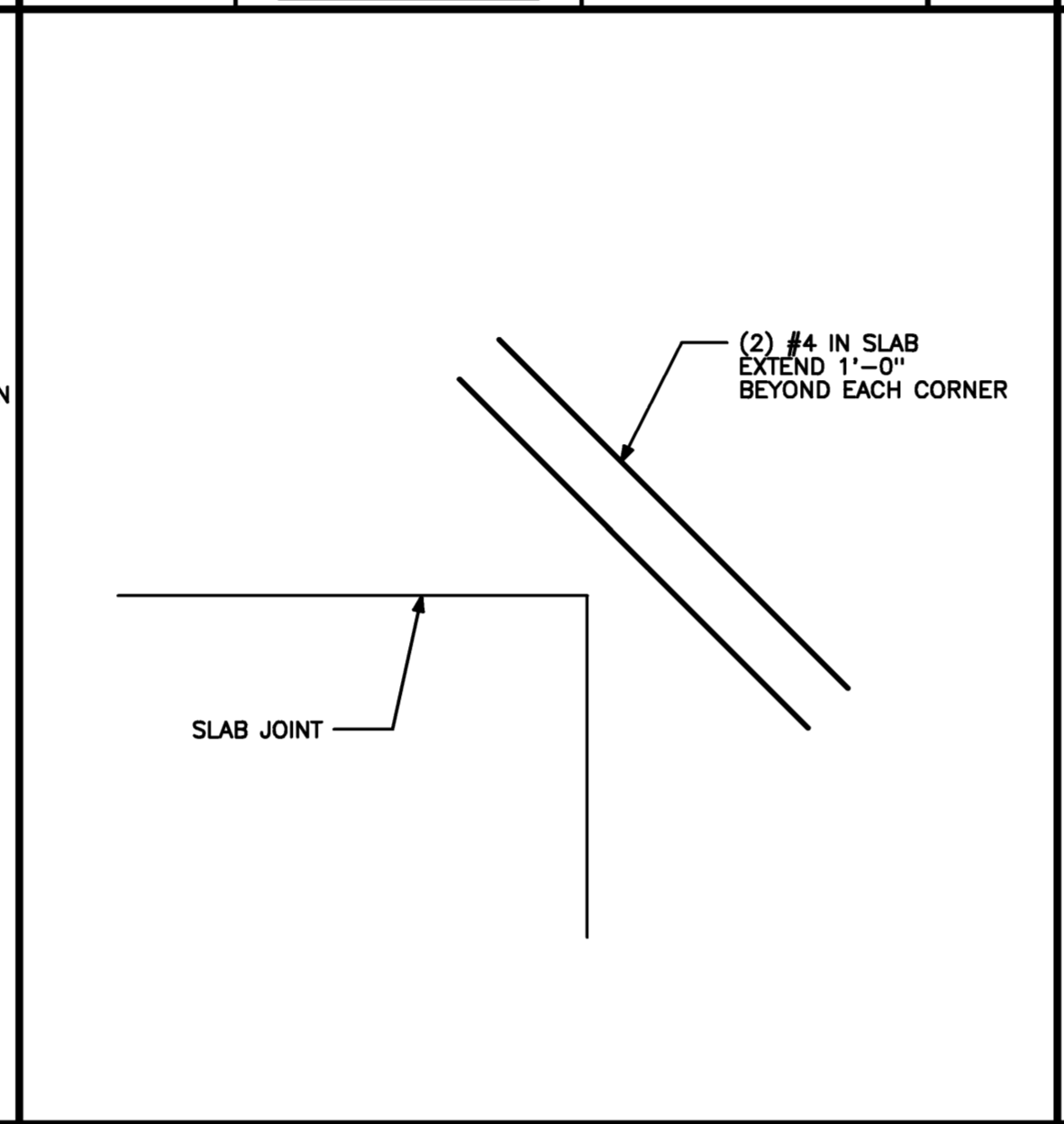
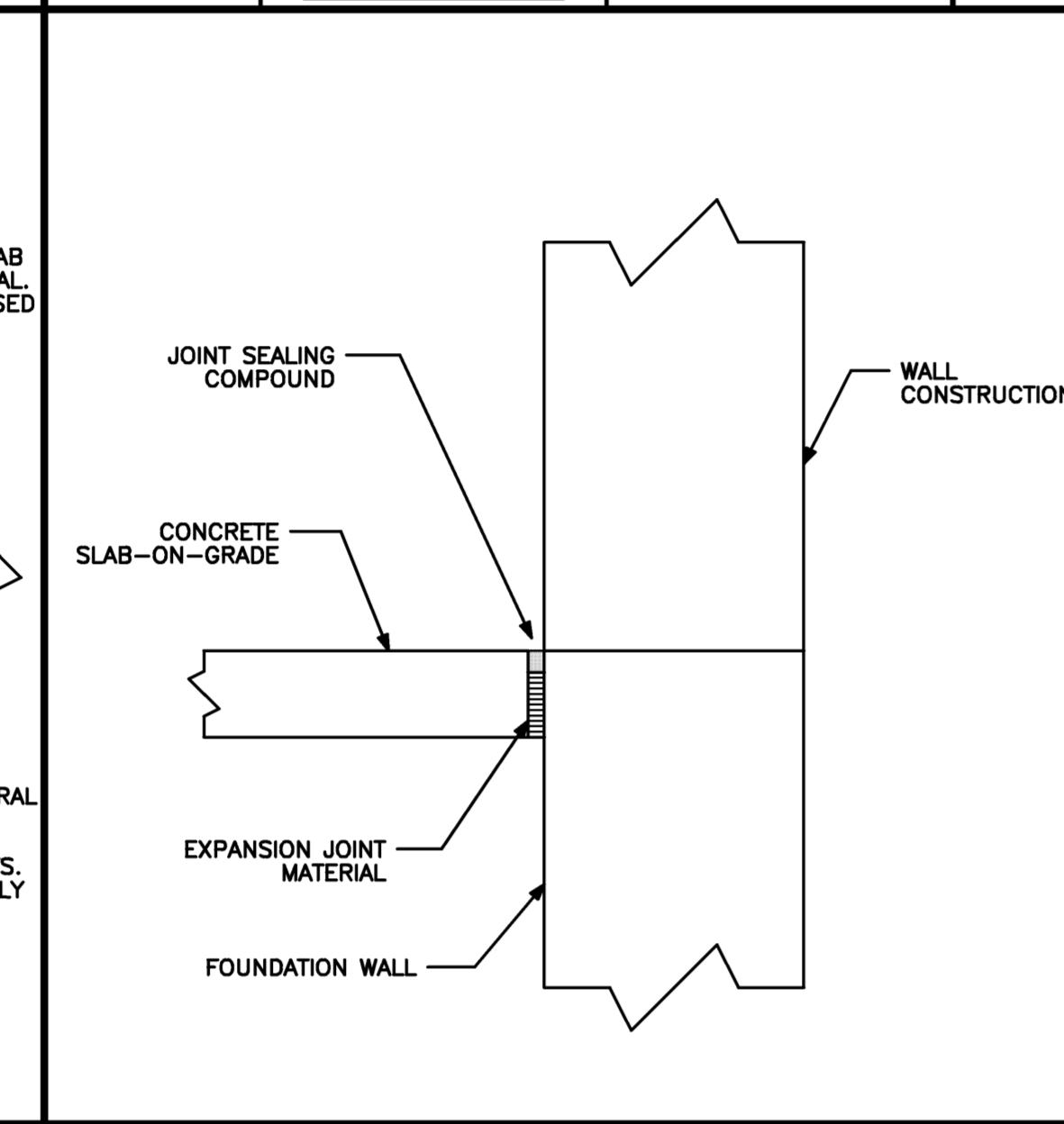
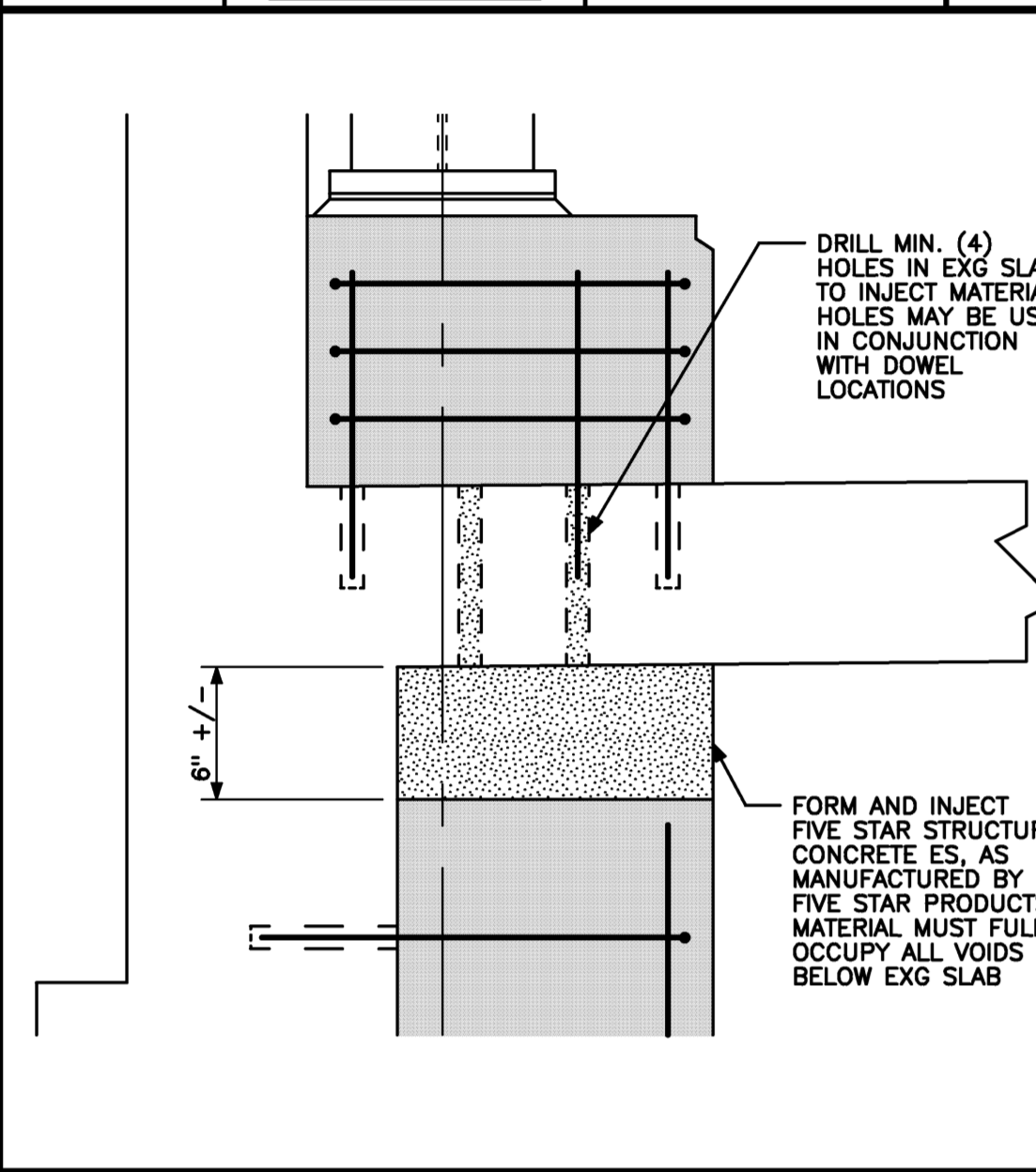
SECTION **D4**
 3/4\" = 1'-0"
 REF: S20.1

SECTION **D3**
 3/4\" = 1'-0"
 REF: S20.1

SECTION **D2**
 3/4\" = 1'-0"
 REF: S50.1

DETAIL AT COLUMN SURROUND **D1**
 3/4\" = 1'-0"
 REF: S20.1, S50.1

- NOTES:
 1. CONC. STRENGTH $F_c = 4000$ PSI (AT 28 DAYS)
 2. SURROUND SHALL NOT BE PLACED UNTIL AFTER 3RD FLOOR SLAB IS CAST.
 3. ANCHOR #3 TIES AT COL. FLANGES
 4. EXTEND CONC. SURROUND TO UNDERSIDE OF STEEL GIRDER ABOVE.



DETAIL **C6**
 1 1/2\" = 1'-0"
 REF: S50.1

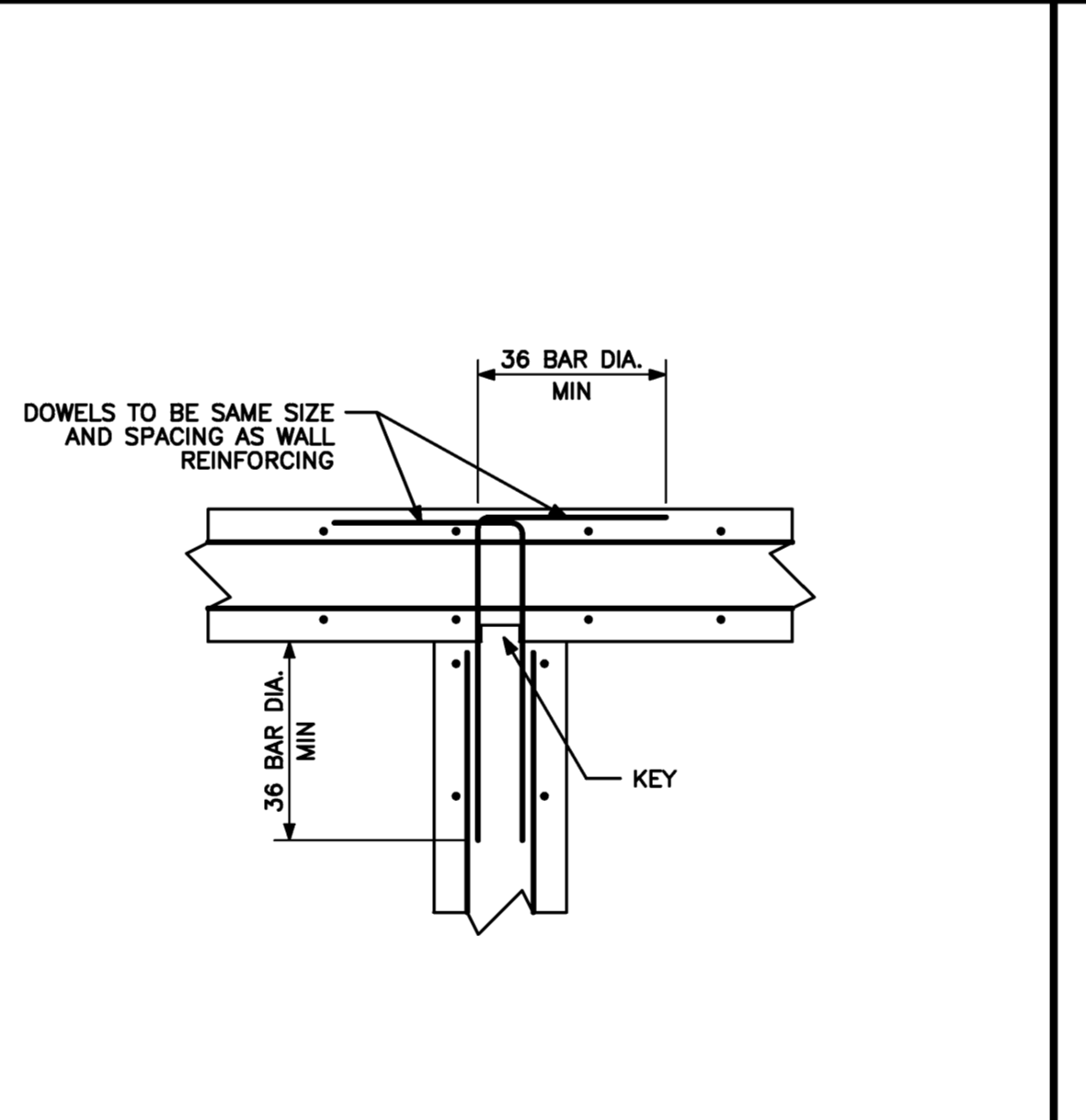
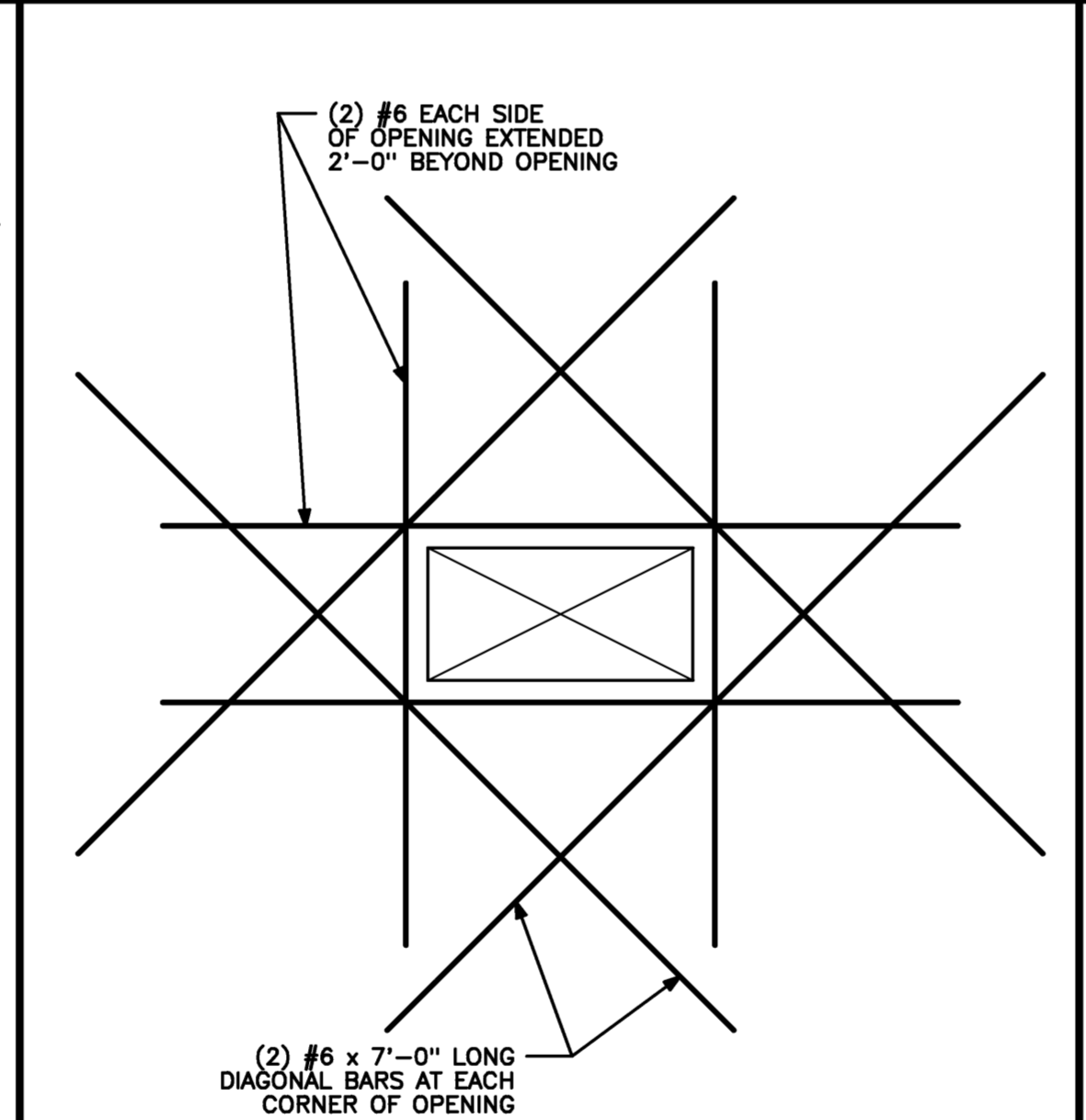
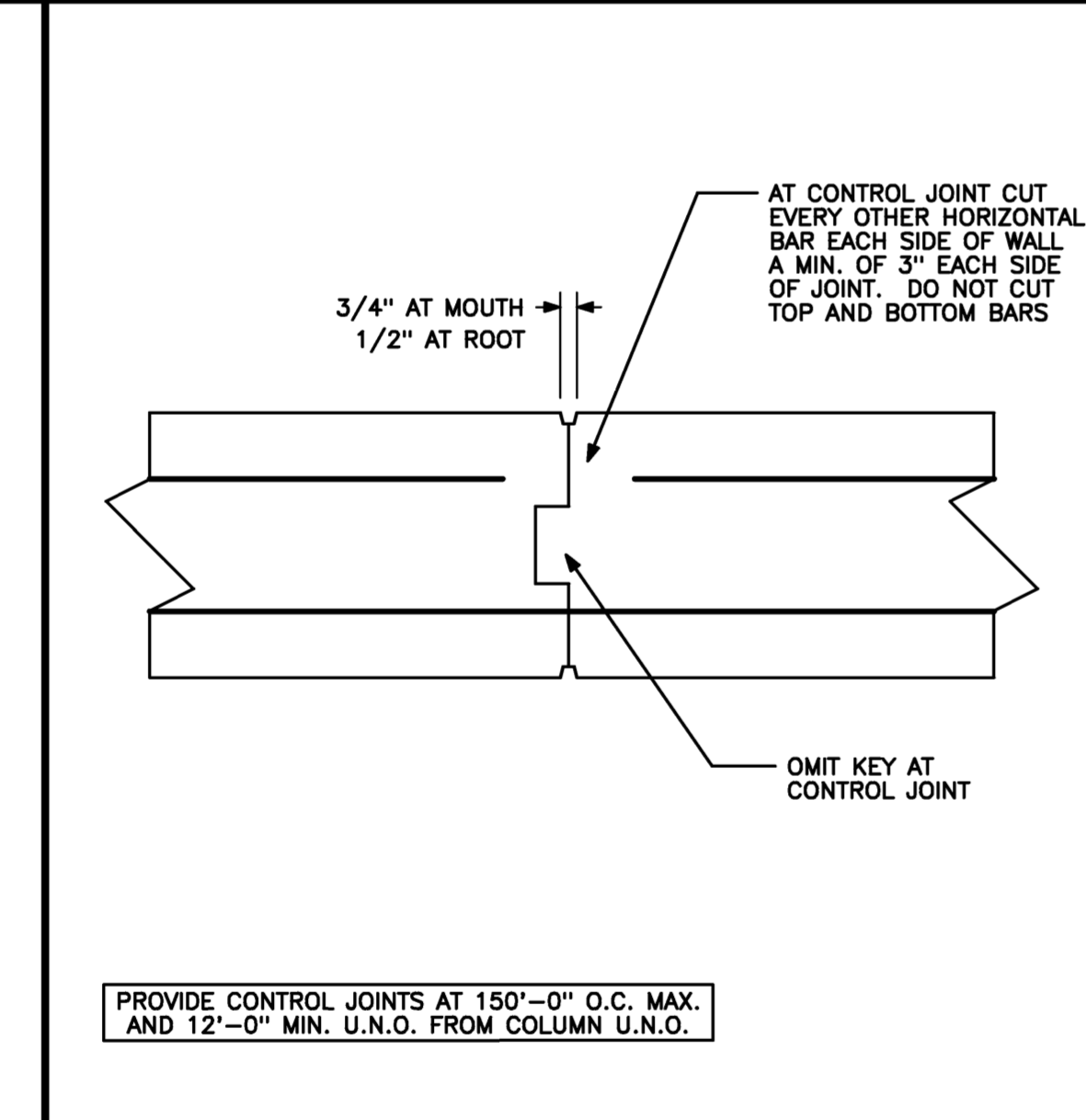
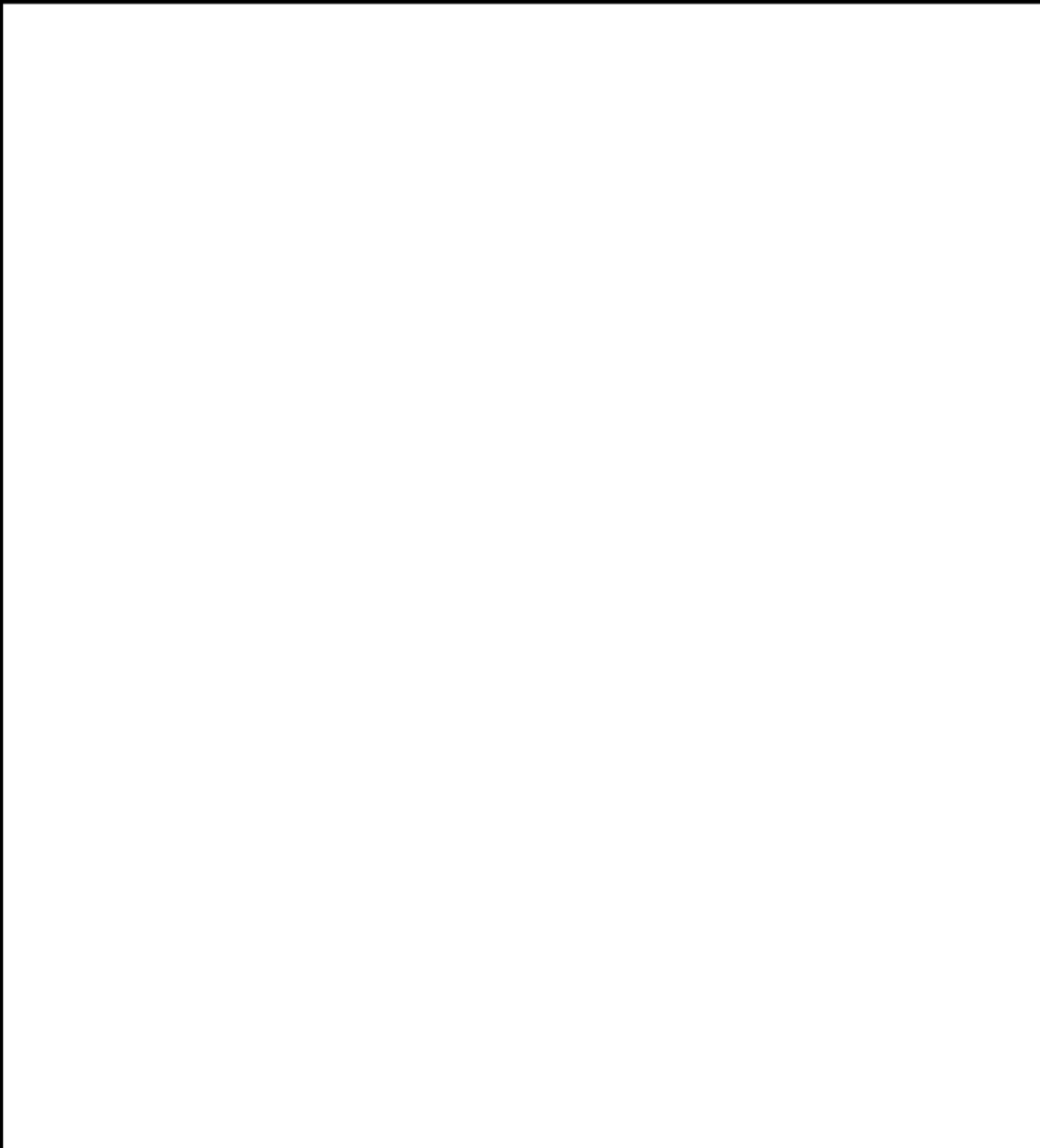
TYPICAL SLAB-ON-GRADE ISOLATION/EXPANSION JOINT DETAIL **C5**
 NO SCALE REF: NA

RE-ENTRANT SLAB JOINT DETAIL **C4**
 NO SCALE REF: NA

TYPICAL SLAB-ON-GRADE CONTROL/CONSTRUCTION JOINT DETAIL **C3**
 NO SCALE REF: NA

TYPICAL REINFORCING AT STEPS IN CONCRETE WALL **C2**
 NO SCALE REF: NA

TYPICAL STEPPED FOOTING DETAIL **C1**
 NO SCALE REF: NA



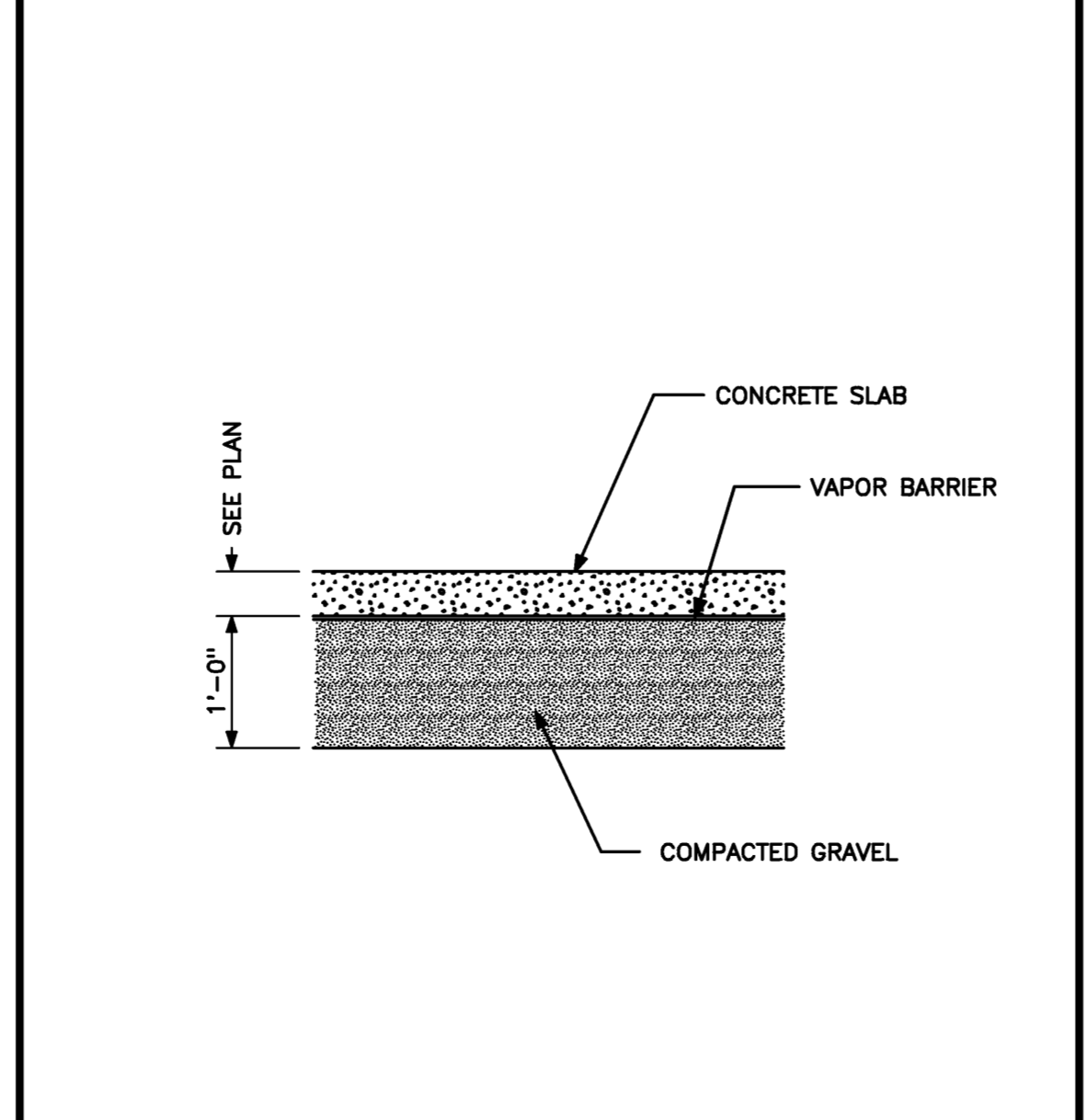
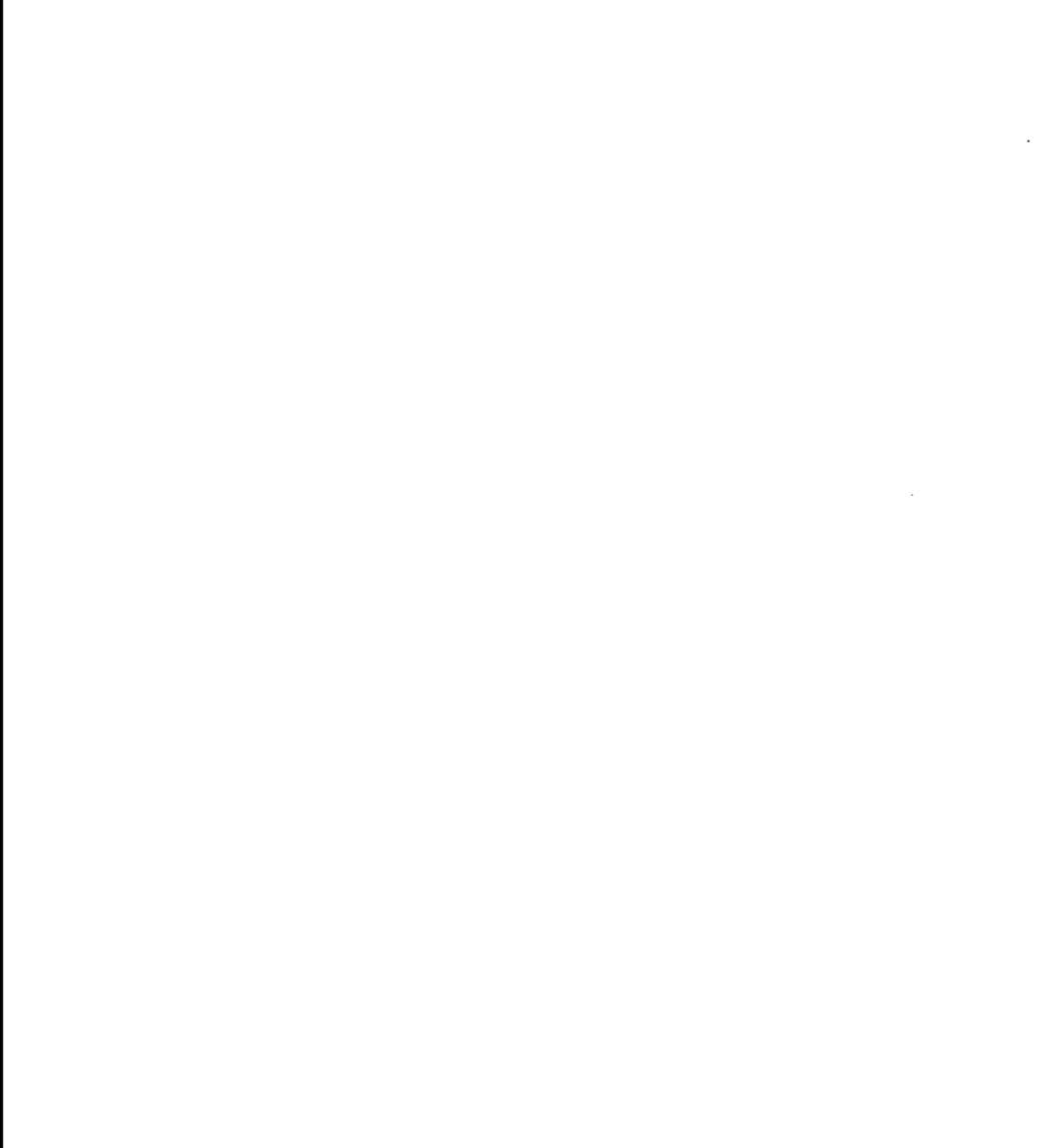
- SOIL BEARING**
- WALL AND COLUMN FOOTINGS DESIGNED FOR AN ASSUMED SOIL BEARING PRESSURE OF 3000 PSF.
 - IF ADEQUATE SOIL BEARING IS NOT ENCOUNTERED AT THE INDICATED BOTTOM OF FOOTING LOCATION, CONTRACTOR IS TO REPORT TO THE ARCHITECT BEFORE PROCEEDING WITH THAT PART OF THE WORK.
 - ALL EXCAVATIONS FOR THE FOUNDATION SHALL BE APPROVED BY THE ARCHITECT BEFORE PLACING ANY CONCRETE FOOTINGS.
- CONCRETE**
- STRENGTH OF CONCRETE AT 28 DAYS TO BE 3000 PSI, EXCEPT FOR: SLABS, BEAMS, AND COLUMNS TO BE 4000 PSI AND EXTERIOR SLABS TO BE 4500 PSI.
 - ALL EXTERIOR FOOTINGS TO BE MIN. 4'-0" BELOW FINISH GRADE.
 - TOP OF ALL FOOTINGS TO BE MIN. 8" BELOW BOTTOM OF FLOOR SLAB UNLESS INDICATED OTHERWISE.
 - BOTTOM OF ALL FOOTINGS TO BE MIN. 2'-0" BELOW EXISTING GRADE.
 - BOTTOM OF ALL FOOTINGS TO BE ON ADEQUATE SOIL BEARING.
 - ALL SLABS ON FILL TO BE 4" THICK UNLESS SHOWN OTHERWISE.
 - SLABS AND BEAMS UNDER CONCRETE WALLS SHALL BE ADEQUATELY SHORED UNTIL WALLS ARE SET.
 - IF BASEMENT AND FIRST FLOOR SLABS ARE NOT POURED BEFORE BACKFILLING, FOUNDATION WALLS TO BE ADEQUATELY BRACED BEFORE BACKFILLING AND UNTIL ABOVE SLABS ARE PLACED AND SET.
 - SEE SPECIFICATIONS FOR SPECIAL REQUIREMENTS FOR ARCHITECTURAL EXPOSED CONCRETE, ANCHORING OF MASONRY TO CONCRETE WALLS AND COLUMNS AND CHAMFER OF EXTERNAL CORNERS OF CONCRETE BEAMS, GIRDERS, COLUMNS, ETC.
 - SEE ARCHITECTURAL AND MECHANICAL DRAWINGS AND SPECIFICATIONS FOR SIZE AND LOCATION OF DOOR FRAMES, THRESHOLDS, ETC., AND CONCRETE PADS, PIERS, PIPE SLEEVES, ETC.
 - ALL WOOD NAILERS ON CONCRETE, OR MASONRY, TO BE ANCHORED WITH 1/2" DIA. ANCHOR BOLTS SPACED AT 2'-8" O.C. AND EXTENDED 1'-0" INTO CONCRETE OR MASONRY.
 - CONCRETE FILL FOR BEAM LINTEL BLOCKS, BOND BEAMS AND CONCRETE BLOCKS USED AS SOLID MASONRY UNITS TO BE CONCRETE TESTING 3000 PSI AT 28 DAYS.
- CONCRETE REINFORCING**
- ALL REINFORCING STEEL TO BE ASTM-A615 GRADE 60, DETAILED AND FABRICATED IN ACCORDANCE WITH THE "ACI MANUAL OF STANDARD PRACTICE" (ACI-315-LATEST).
 - REINFORCEMENT TO HAVE MIN. CONCRETE COVER AS FOLLOWS:
 A. CONCRETE DEPOSITED AGAINST GROUND, INCLUDING FOOTINGS - 3"
 B. CONCRETE EXPOSED TO EARTH OR WEATHER, INCLUDING WALKS, PIERS, WALLS, COLUMNS AND EXTERIOR SLABS - 2"
 C. CONCRETE NOT EXPOSED TO WEATHER OR IN CONTACT WITH GROUND - 1"
 1. SLABS, WALLS, AND JOISTS - 3/4"
 2. BEAMS, COLUMNS, TIES, STIRRUPS, REINFORCEMENT - 1 1/2"
 - PROVIDE ADEQUATE KEYS AND DOWELS AT ALL WALL INTERSECTIONS AND CONSTRUCTION JOINTS.
 - LAP ALL REINFORCEMENT 36 BAR DIAMETERS AT SPLICES, AND 12" MIN. AT CORNERS UNLESS SHOWN OTHERWISE.
 - AT ALL OPENINGS IN STRUCTURAL SLABS, PROVIDE ONE HALF THE NUMBER OF INTERRUPTED BARS PLACED ON EACH SIDE OF THE OPENING AND STAGGERED WITH OTHER SLAB BARS. PROVIDE #4 x 5'-0" LONG DIAGONAL BAR TOP AND BOTTOM AT EACH CORNER OF OPENING, UNLESS SHOWN OTHERWISE.
 - PROVIDE DOWELS IN WALL AND COLUMN FOOTINGS EQUIVALENT IN SIZE AND NUMBER TO VERTICAL STEEL EXTENDING INTO FOOTING AND INTO WALL OR COLUMN UNLESS SHOWN OTHERWISE. LOWER END OF DOWELS SHALL HAVE 90 DEGREE BEND WITH 4" MIN. HORIZONTAL DIMENSION AND ALL DOWELS SHALL BE SET IN PLACE BEFORE CONCRETE IS PLACED.
 - DISCONTINUOUS ENDS OF ALL TOP REINFORCING BARS TO BE HOOKED.
 - ALL CONCRETE WALLS ON LEDGE TO HAVE #8 DOWELS x 3'-0" LONG, GROUDED 1'-6" INTO LEDGE AND SPACED AT 3'-0" O.C.
 - ALL CONCRETE PIERS ON LEDGE TO HAVE (2) #8 DOWELS x 3'-0" LONG, GROUDED 1'-6" INTO LEDGE.
 - ALL 4" THICK CONCRETE SLABS ON FILL TO BE REINFORCED WITH FIBER REINFORCING, UNLESS SHOWN OTHERWISE.
 - ALL CONCRETE SLABS, PADS, BEAMS, AND PIERS SHALL HAVE REINFORCEMENT THAT WILL HAVE A MIN. RATIO OF REINFORCEMENT AREA TO GROSS CONCRETE AREA OF 0.0033, UNLESS SHOWN OTHERWISE.

TYPICAL WALL CONTROL/CONSTRUCTION JOINT DETAIL **B5**
 NO SCALE REF: NA

TYPICAL REINFORCING AT OPENINGS IN CONCRETE WALLS **B4**
 NO SCALE REF: NA

TYPICAL WALL INTERSECTION REINFORCING DETAIL **B3**
 NO SCALE REF: NA

TYPICAL CORNER REINFORCING DETAIL **B2**
 NO SCALE REF: NA



- GENERAL NOTES**
- ALL REINFORCING STEEL TO BE ASTM-A615 GRADE 60, DETAILED AND FABRICATED IN ACCORDANCE WITH THE "ACI MANUAL OF STANDARD PRACTICE" (ACI-315-LATEST).
 - REINFORCEMENT TO HAVE MIN. CONCRETE COVER AS FOLLOWS:
 A. CONCRETE DEPOSITED AGAINST GROUND, INCLUDING FOOTINGS - 3"
 B. CONCRETE EXPOSED TO EARTH OR WEATHER, INCLUDING WALKS, PIERS, WALLS, COLUMNS AND EXTERIOR SLABS - 2"
 C. CONCRETE NOT EXPOSED TO WEATHER OR IN CONTACT WITH GROUND - 1"
 1. SLABS, WALLS, AND JOISTS - 3/4"
 2. BEAMS, COLUMNS, TIES, STIRRUPS, REINFORCEMENT - 1 1/2"
 - PROVIDE ADEQUATE KEYS AND DOWELS AT ALL WALL INTERSECTIONS AND CONSTRUCTION JOINTS.
 - LAP ALL REINFORCEMENT 36 BAR DIAMETERS AT SPLICES, AND 12" MIN. AT CORNERS UNLESS SHOWN OTHERWISE.
 - AT ALL OPENINGS IN STRUCTURAL SLABS, PROVIDE ONE HALF THE NUMBER OF INTERRUPTED BARS PLACED ON EACH SIDE OF THE OPENING AND STAGGERED WITH OTHER SLAB BARS. PROVIDE #4 x 5'-0" LONG DIAGONAL BAR TOP AND BOTTOM AT EACH CORNER OF OPENING, UNLESS SHOWN OTHERWISE.
 - PROVIDE DOWELS IN WALL AND COLUMN FOOTINGS EQUIVALENT IN SIZE AND NUMBER TO VERTICAL STEEL EXTENDING INTO FOOTING AND INTO WALL OR COLUMN UNLESS SHOWN OTHERWISE. LOWER END OF DOWELS SHALL HAVE 90 DEGREE BEND WITH 4" MIN. HORIZONTAL DIMENSION AND ALL DOWELS SHALL BE SET IN PLACE BEFORE CONCRETE IS PLACED.
 - DISCONTINUOUS ENDS OF ALL TOP REINFORCING BARS TO BE HOOKED.
 - ALL CONCRETE WALLS ON LEDGE TO HAVE #8 DOWELS x 3'-0" LONG, GROUDED 1'-6" INTO LEDGE AND SPACED AT 3'-0" O.C.
 - ALL CONCRETE PIERS ON LEDGE TO HAVE (2) #8 DOWELS x 3'-0" LONG, GROUDED 1'-6" INTO LEDGE.
 - ALL 4" THICK CONCRETE SLABS ON FILL TO BE REINFORCED WITH FIBER REINFORCING, UNLESS SHOWN OTHERWISE.
 - ALL CONCRETE SLABS, PADS, BEAMS, AND PIERS SHALL HAVE REINFORCEMENT THAT WILL HAVE A MIN. RATIO OF REINFORCEMENT AREA TO GROSS CONCRETE AREA OF 0.0033, UNLESS SHOWN OTHERWISE.

TYPICAL GRAVEL BASE DETAIL **A4**
 NO SCALE REF: NA

UNDERDRAIN DETAIL **A3**
 NO SCALE REF: NA

THICKENED SLAB UNDER CMU PARTITION **A2**
 NO SCALE REF: S10.1

GENERAL NOTES **A1**
 NO SCALE REF: NA

Issue Dates	Mark	Date	Description
	04-28-05		ISSUED FOR BID
	04-11-05		100% REVIEW

Drawing Title

FOUNDATION NOTES AND DETAILS

PA / PE: **BKB** Drawn By: **MRM**

Drawing Number

S50.1