

CONCRETE MASONRY LINTEL SCHEDULE

NOM. BLOCK WIDTH	NOM. BLOCK HEIGHT	REINFORCING	MASONRY OPENING
6"	8"	(1) #5	6'-0" OR LESS
8"	8"	(2) #5	7'-0" OR LESS
8"	16"	(2) #5	7'-0" TO 12'-10"
12"	8"	(2) #5	7'-0" OR LESS
12"	16"	(2) #5	7'-0" TO 12'-10"

NOTES:
1. LINTEL SCHEDULE BASED ON $F'm = 2,000$ PSI
2. LINTEL UNITS MUST BE SHORED (MIN 3 DAYS)
3. MIN. BEARING AT EACH END = 8"
4. USE OF MORTAR TO FILL LINTELS IS NOT PERMITTED.
5. SEE ARCHITECTURAL DWGS. FOR ALL WALL OPENINGS.
6. REINF. TO EXTEND 2'-1" BEYOND FACE OF OPENING.

MASONRY LINTEL SCHEDULE

1/4" = 1'-0" REF: NA **D1**

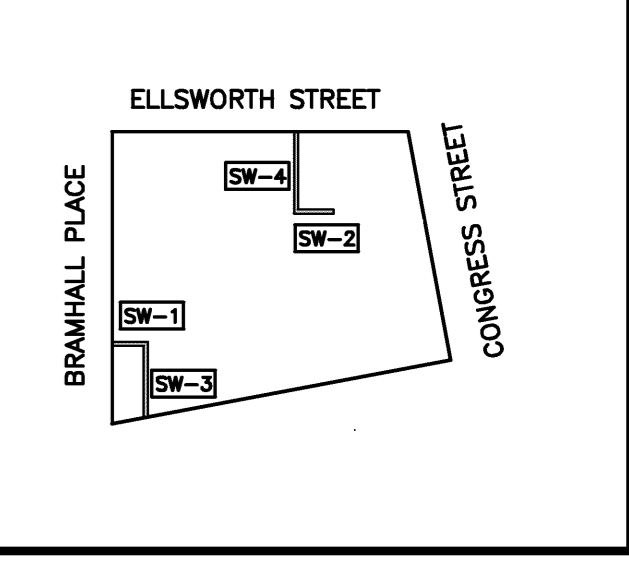
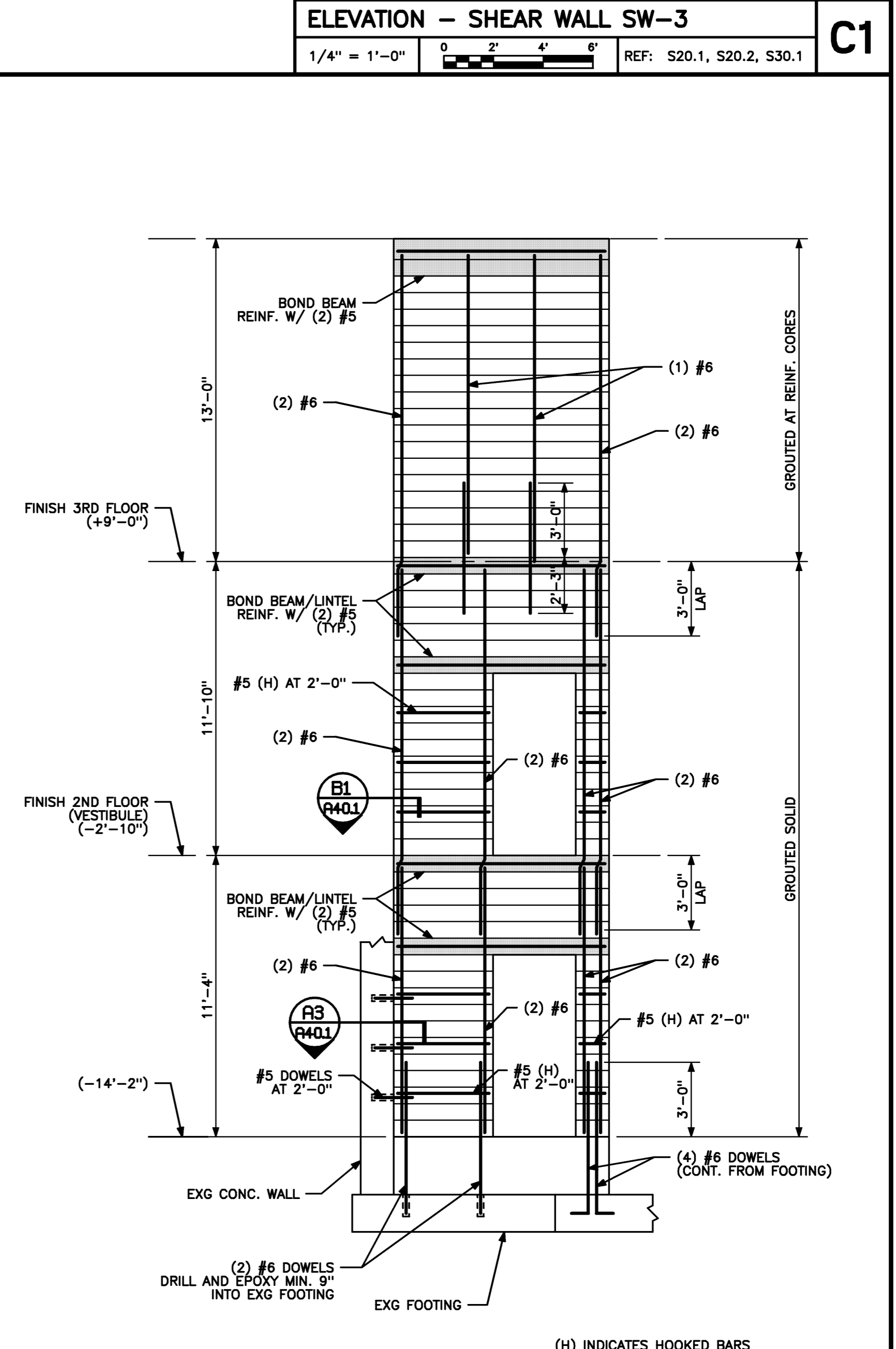
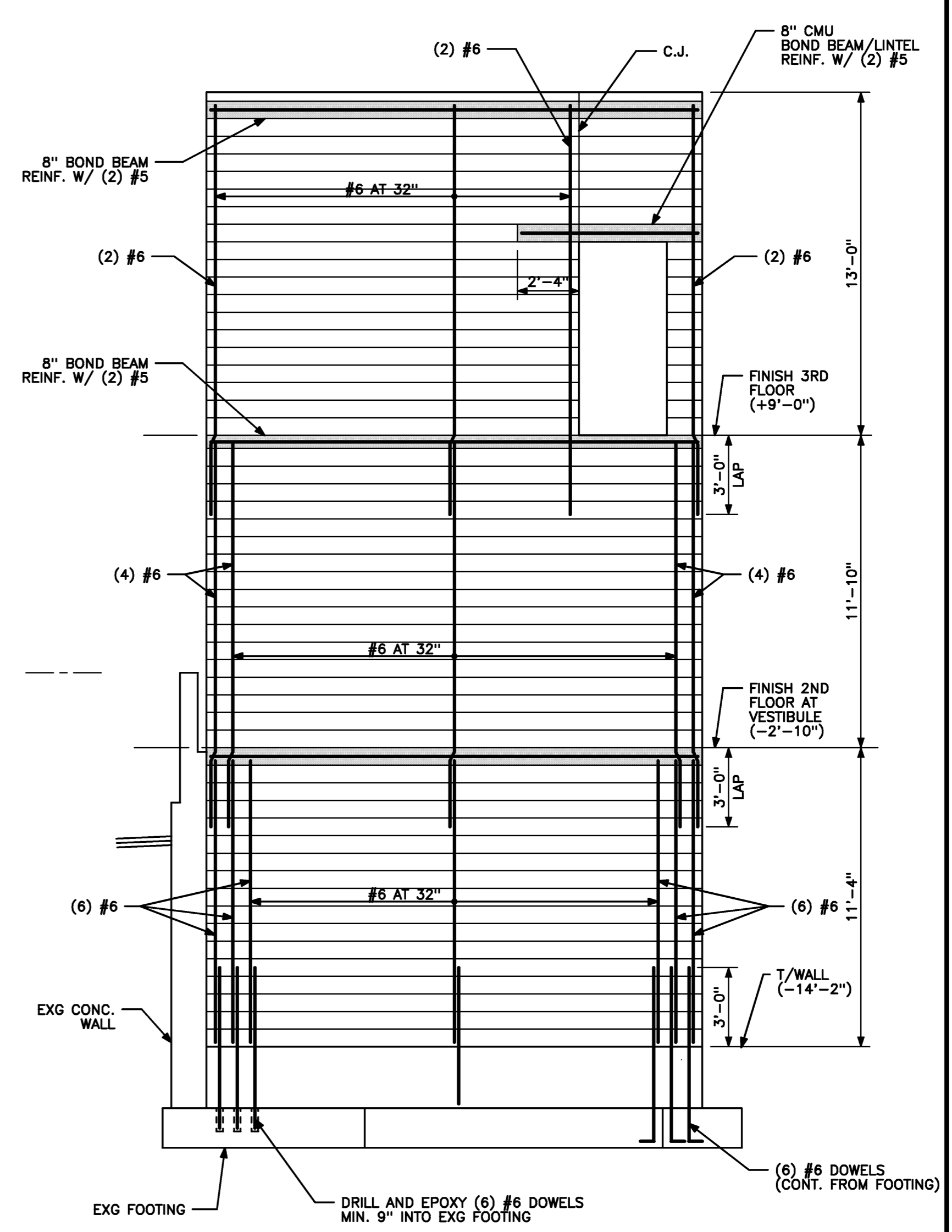
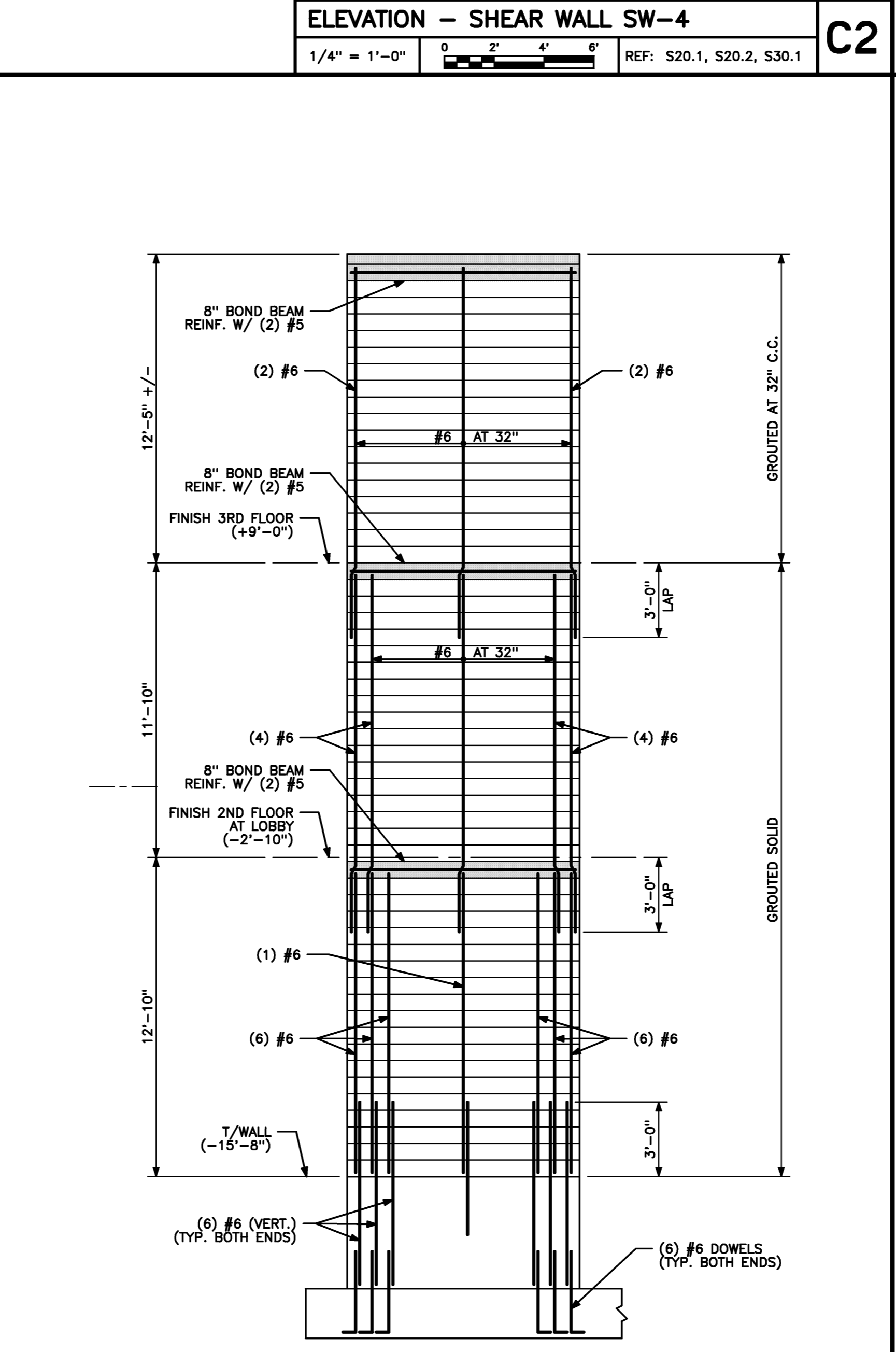
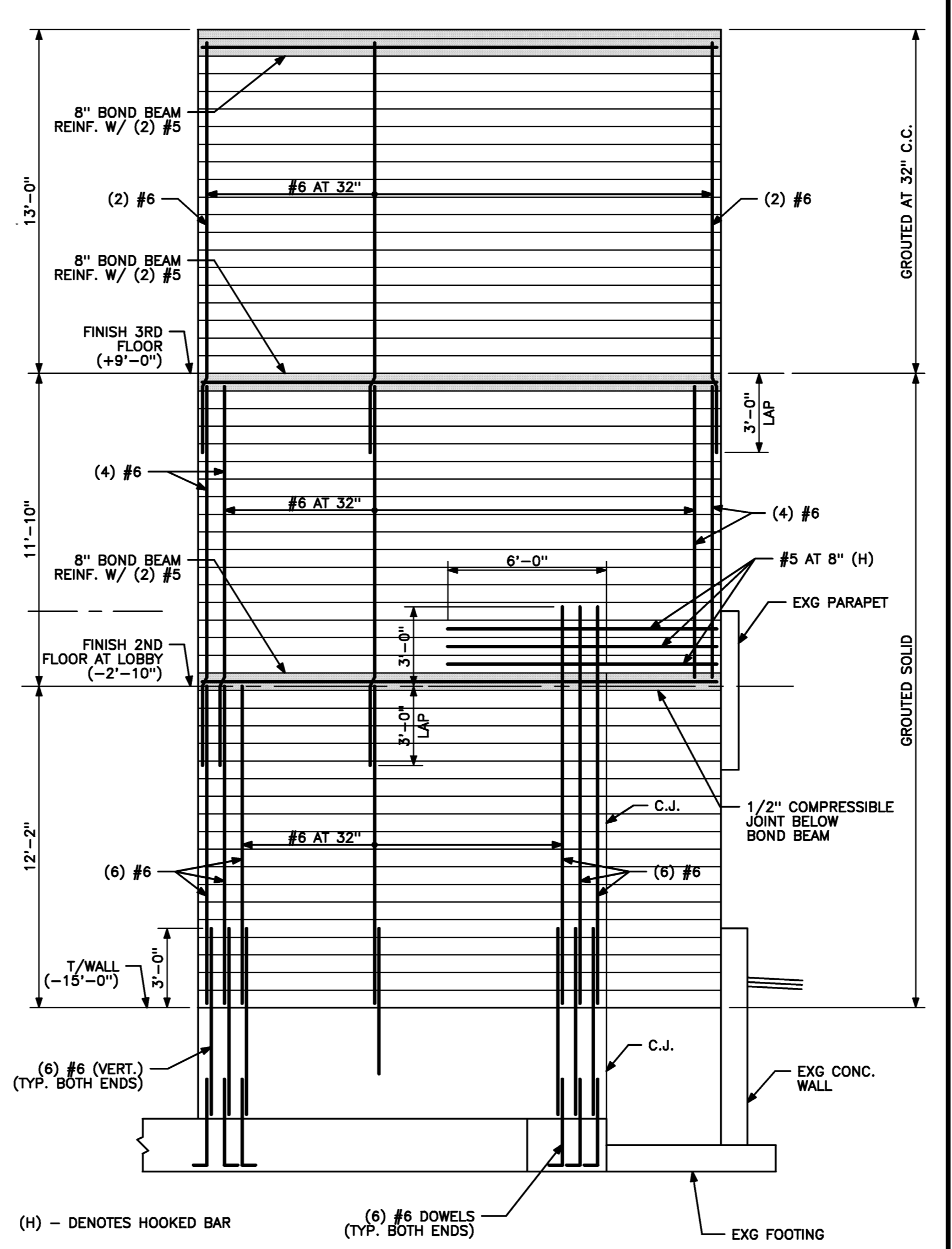
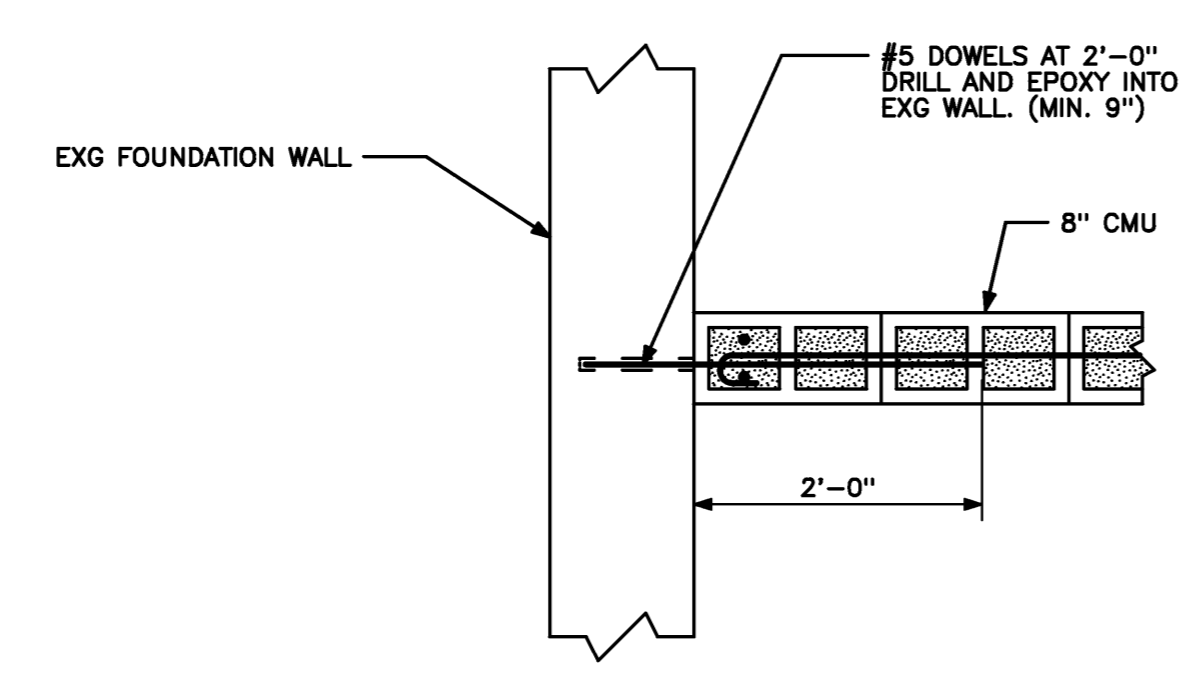
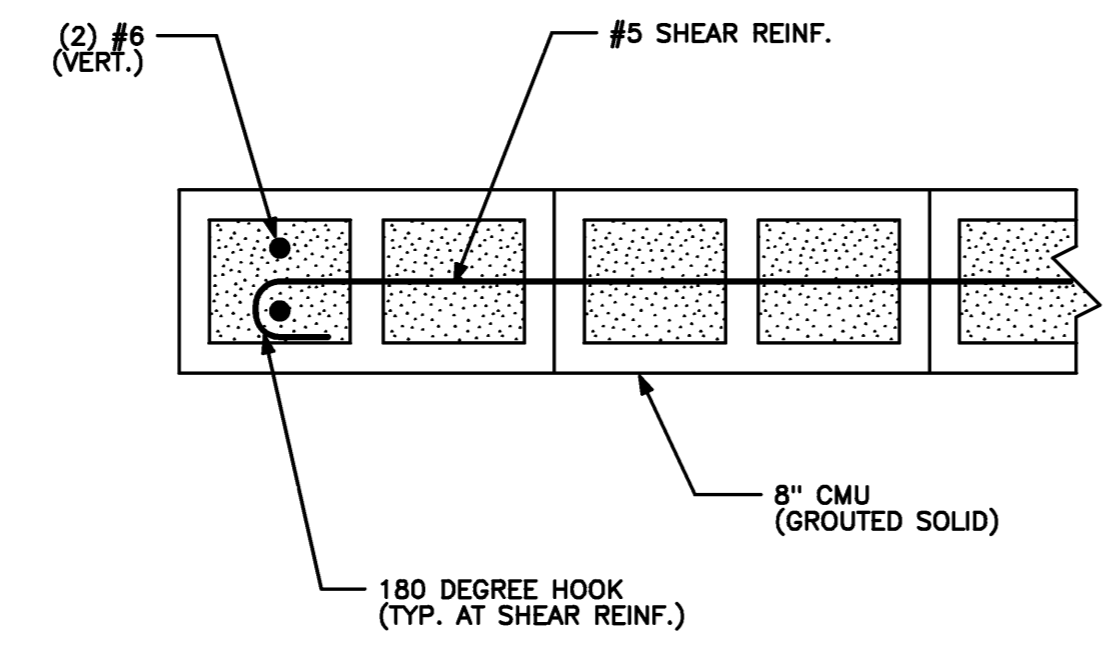
FLOOR TO MASONRY FASTENING SCHEDULE

WALL DESIGNATION	FASTENER SIZE	3RD FLOOR LEVEL		ROOF LEVEL	
		NO. BOLTS	APPROX. SPCNG.	NO. BOLTS	APPROX. SPCNG.
SW-1	1/2"	6	17.6"	4	29.3"
SW-2	1/2"	10	12.4"	5	24.0"
SW-3	1/2"	12	20.4"	7	34.7"
SW-4	1/2"	12	21.5"	8	31.6"
ALL OTHER MASONRY WALLS	1/2"	VARIES	36" MAX.	VARIES	36" MAX.

NOTES:
1. BOLTS SHALL BE 1/2" DIA. X 4 1/4" EMBED. HILTI HY150 ADHESIVE ANCHORS WITH HAS-E RODS.
2. ALL BOLTS SHALL BE ANCHORED INTO SOLIDLY GROUTED CMU.

MASONRY FASTENING SCHEDULE

1/4" = 1'-0" REF: S20.2, S30.1 **C3**



Mark	Date	Description
—	04-28-05	ISSUED FOR BID

Drawing Status

Drawing Title
MASONRY SHEAR WALL ELEVATIONS AND SCHEDULES

PA / PE: **BKB** Drawn By: **MRM**
Drawing Number

S40.1