

HARRIMAN ASSOCIATES
 Architects • Engineers
 One Adams Street, Suite 100
 Portland, ME 04101
 207.866.1515
 207.782.2077 Fax
 www.harriman.com
 Building Communities
 Since 1979
 © 2004

MAINE HEART SURGICAL ASSOC.
 NEW OFFICE BLDG.
 PORTLAND, ME

Project Title: MAINE HEART SURGICAL ASSOC. NEW OFFICE BLDG.
 Port No. 04180
 Key Plan

Issue Date	05-24-05	PLANNING BOARD REVISIONS
Issue Date	04-28-05	ISSUED FOR BID
Issue Date	04-27-05	PLANNING BOARD REVISIONS
Issue Date	02-23-05	PLANNING BOARD
Issue Date	02-11-05	REVIEW
Issue Date	01-10-05	D.D. REVIEW
Mark	Date	Description

Issue Date	05-24-05	PLANNING BOARD REVISIONS
Issue Date	04-28-05	ISSUED FOR BID
Issue Date	04-27-05	PLANNING BOARD REVISIONS
Issue Date	02-23-05	PLANNING BOARD
Issue Date	02-11-05	REVIEW
Issue Date	01-10-05	D.D. REVIEW
Mark	Date	Description

Issue Date	05-24-05	PLANNING BOARD REVISIONS
Issue Date	04-28-05	ISSUED FOR BID
Issue Date	04-27-05	PLANNING BOARD REVISIONS
Issue Date	02-23-05	PLANNING BOARD
Issue Date	02-11-05	REVIEW
Issue Date	01-10-05	D.D. REVIEW
Mark	Date	Description

Issue Date	05-24-05	PLANNING BOARD REVISIONS
Issue Date	04-28-05	ISSUED FOR BID
Issue Date	04-27-05	PLANNING BOARD REVISIONS
Issue Date	02-23-05	PLANNING BOARD
Issue Date	02-11-05	REVIEW
Issue Date	01-10-05	D.D. REVIEW
Mark	Date	Description

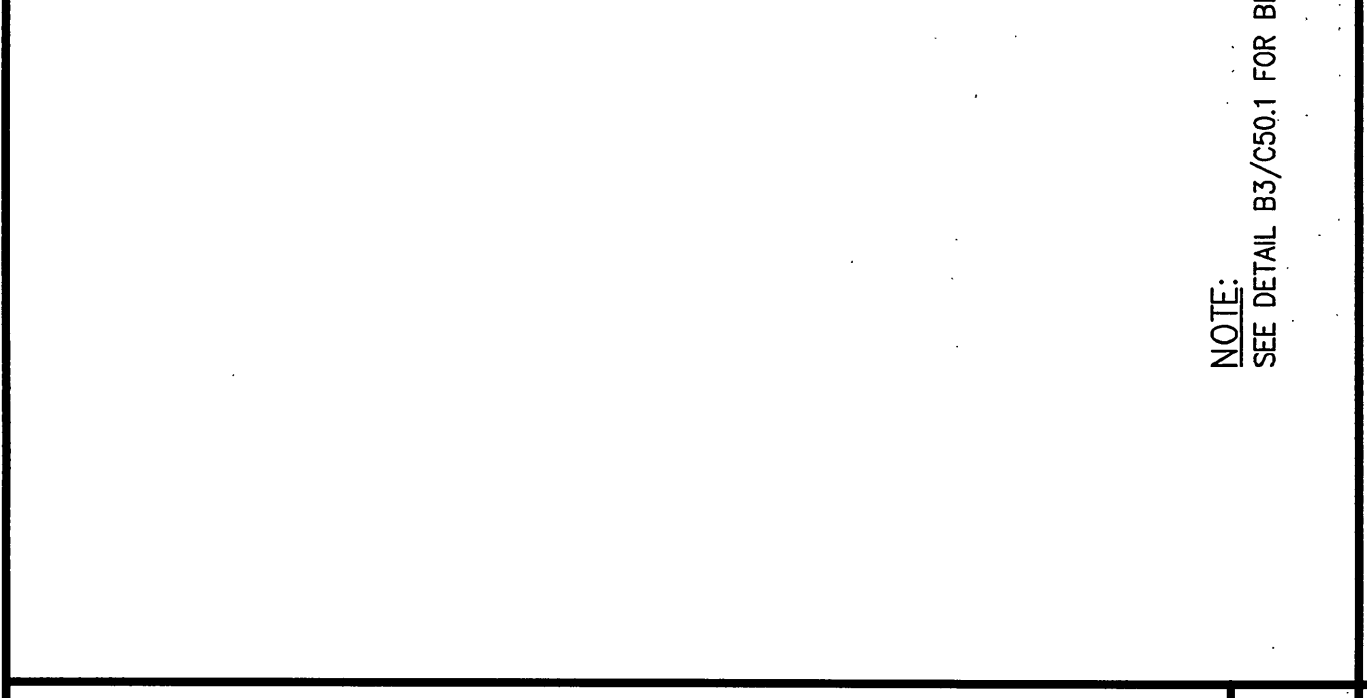
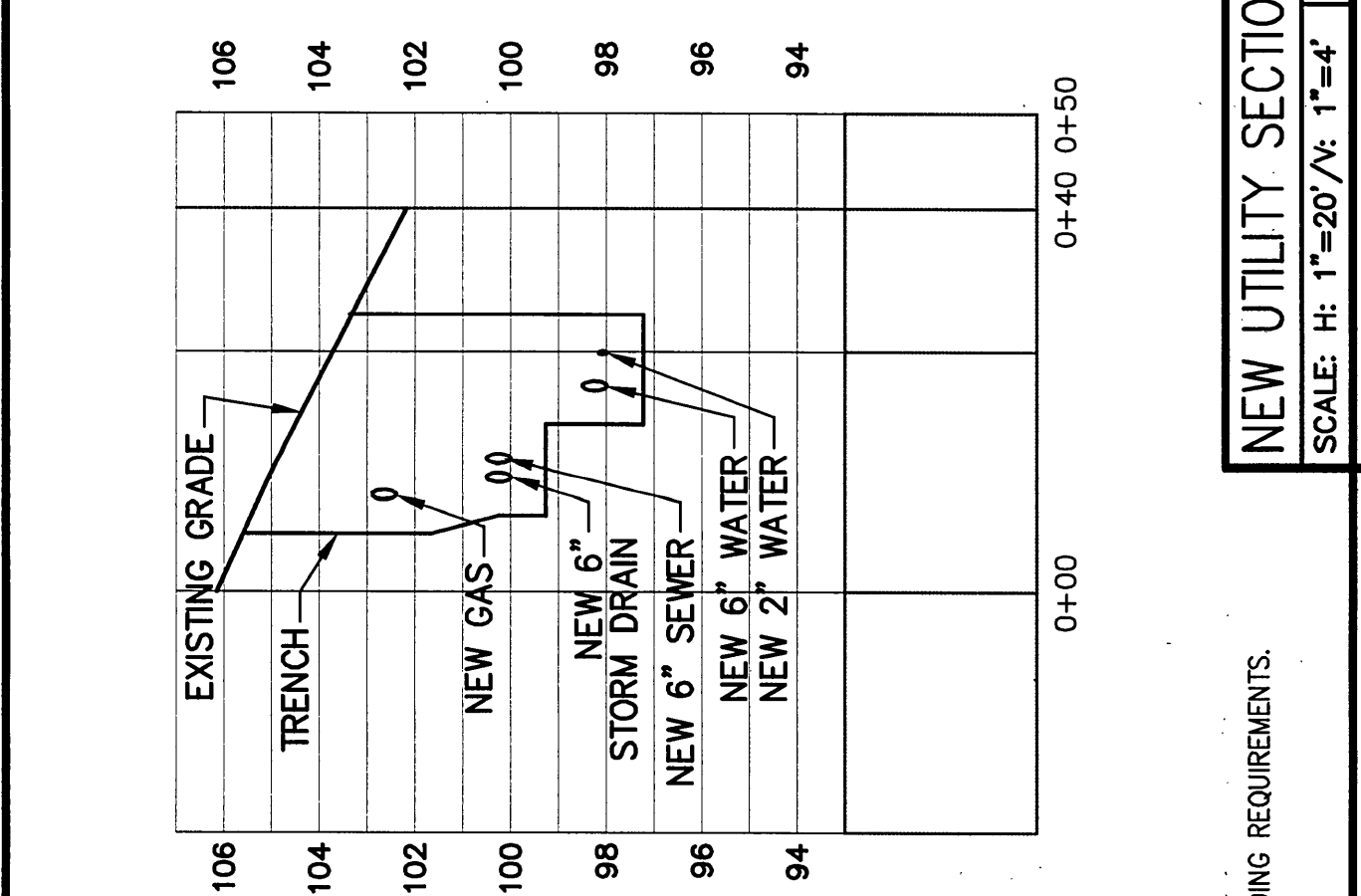
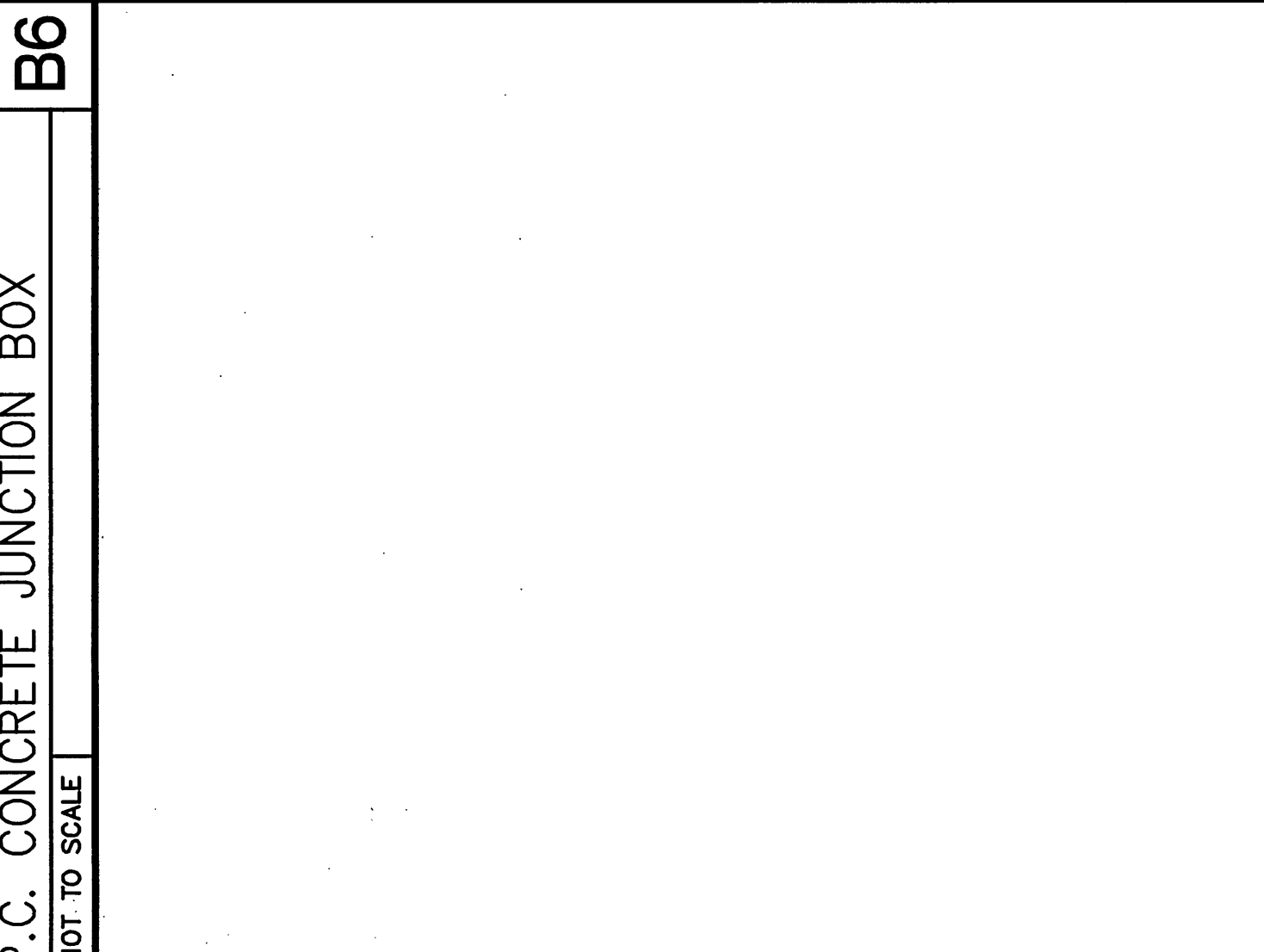
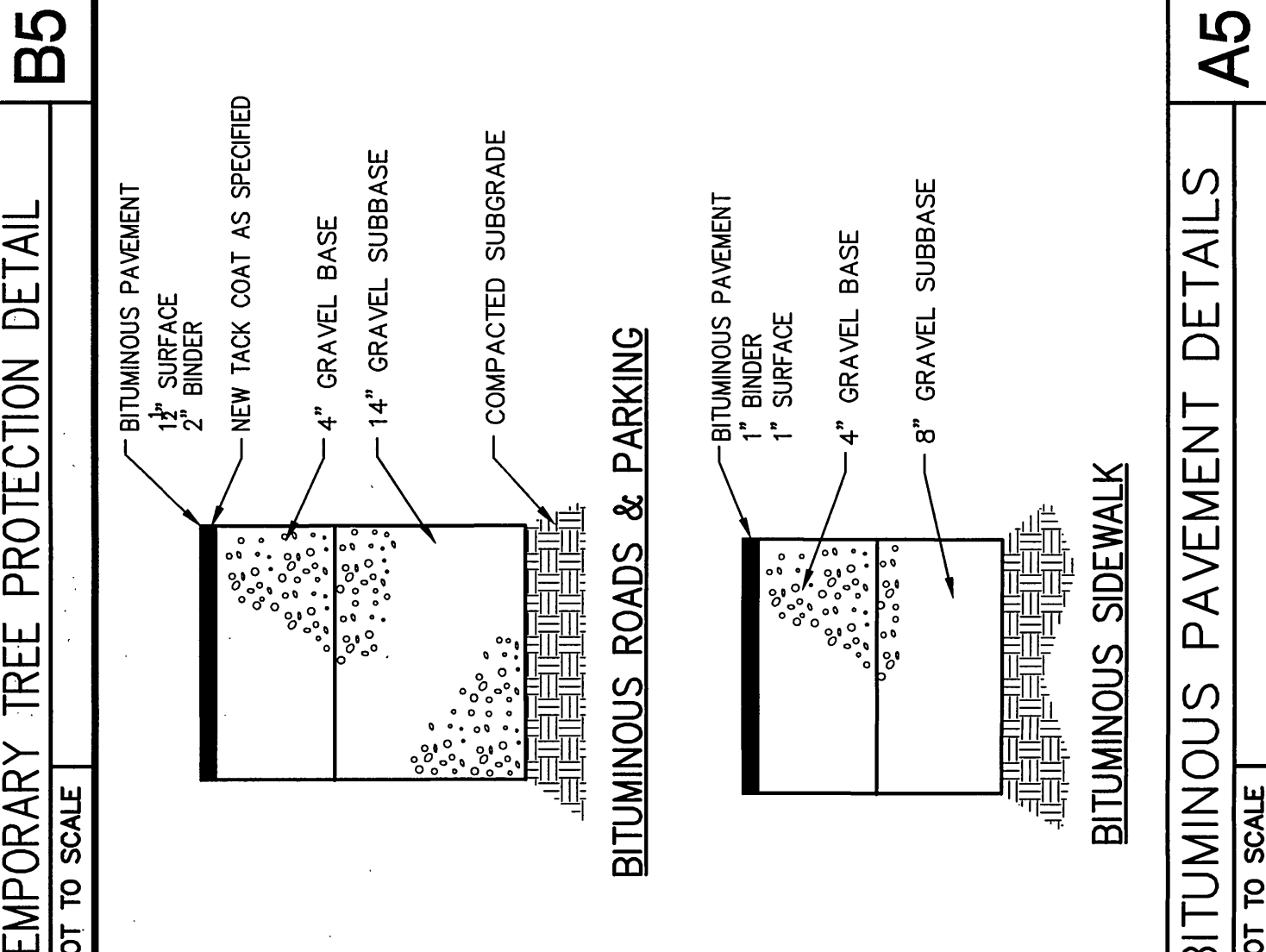
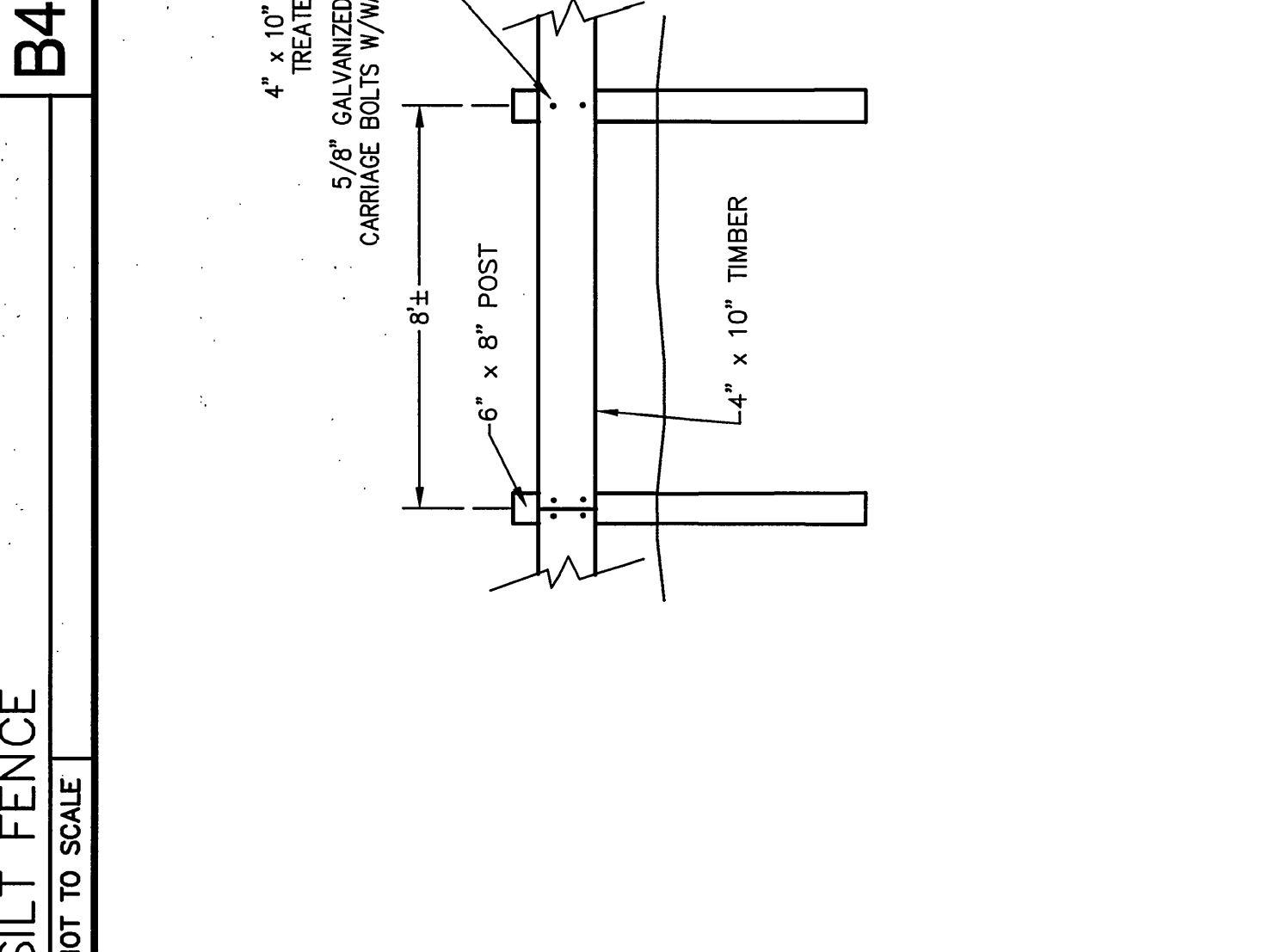
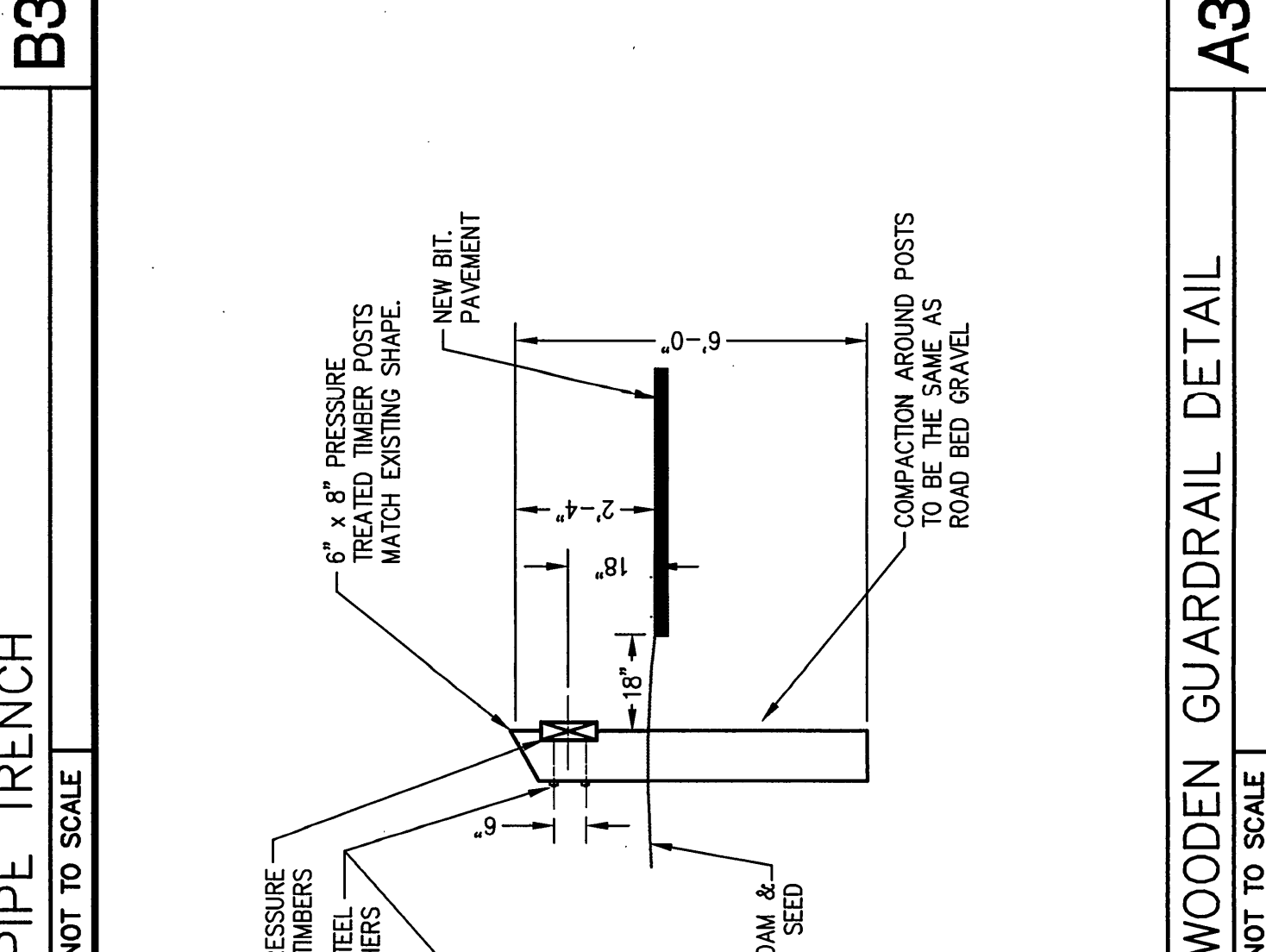
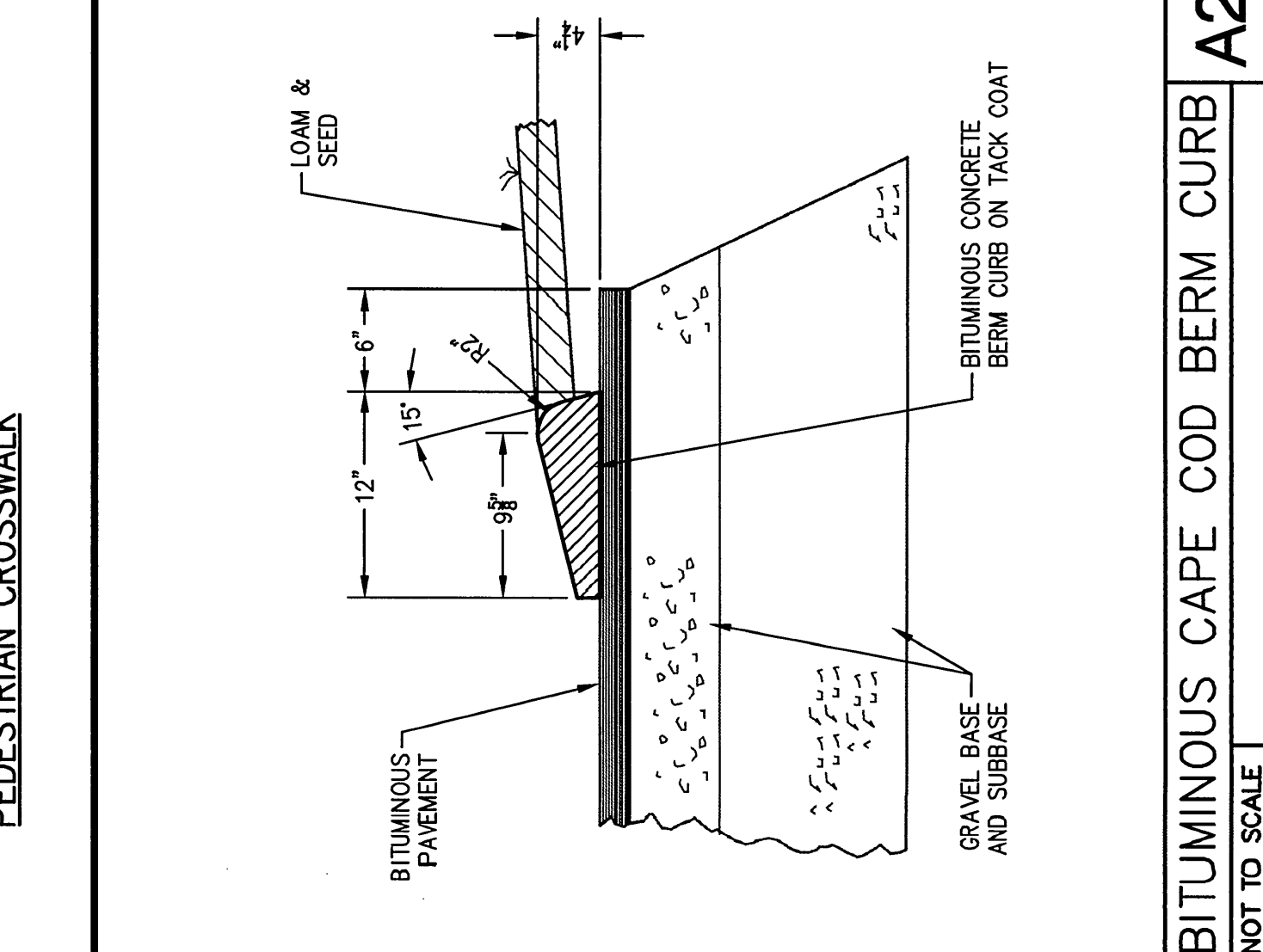
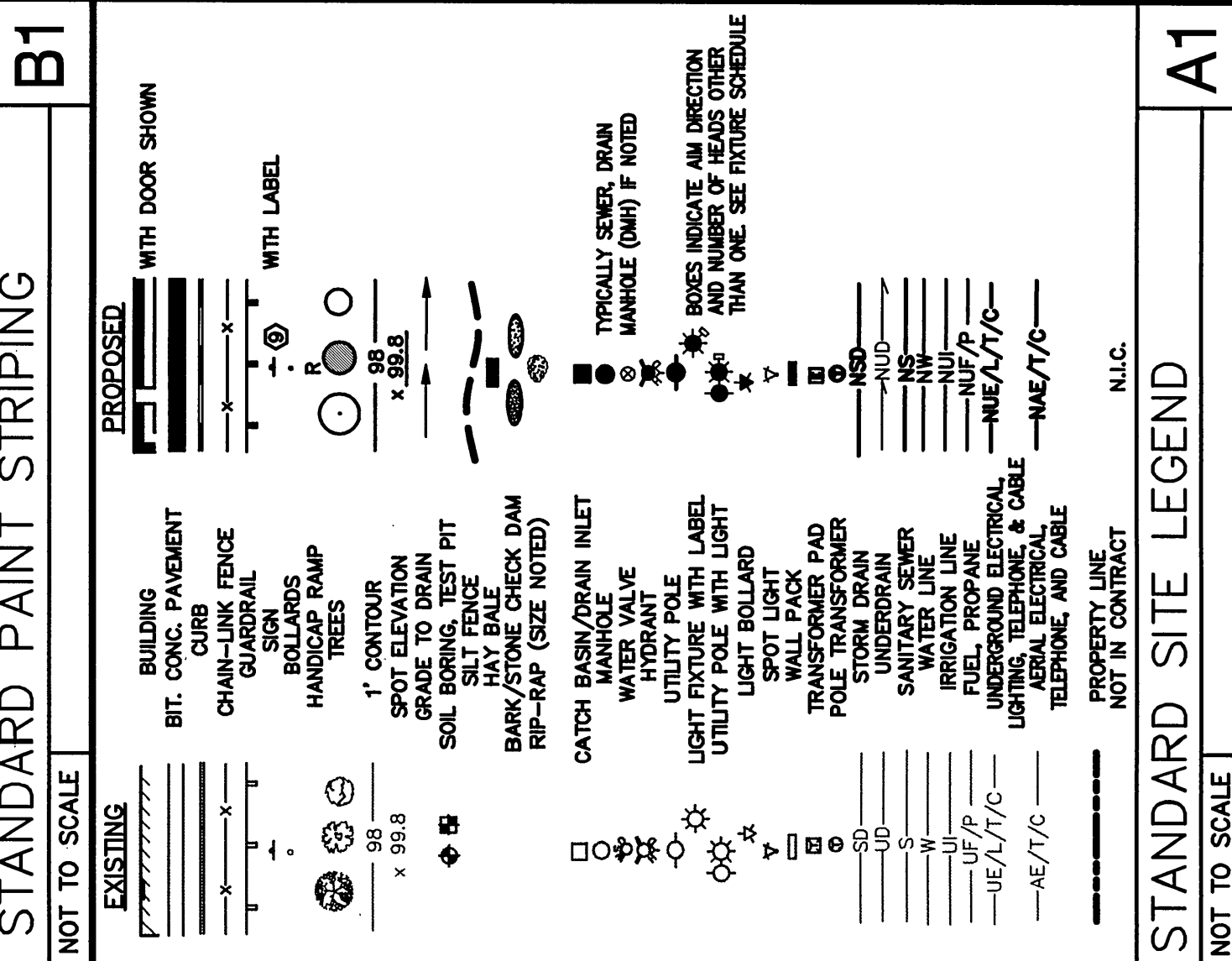
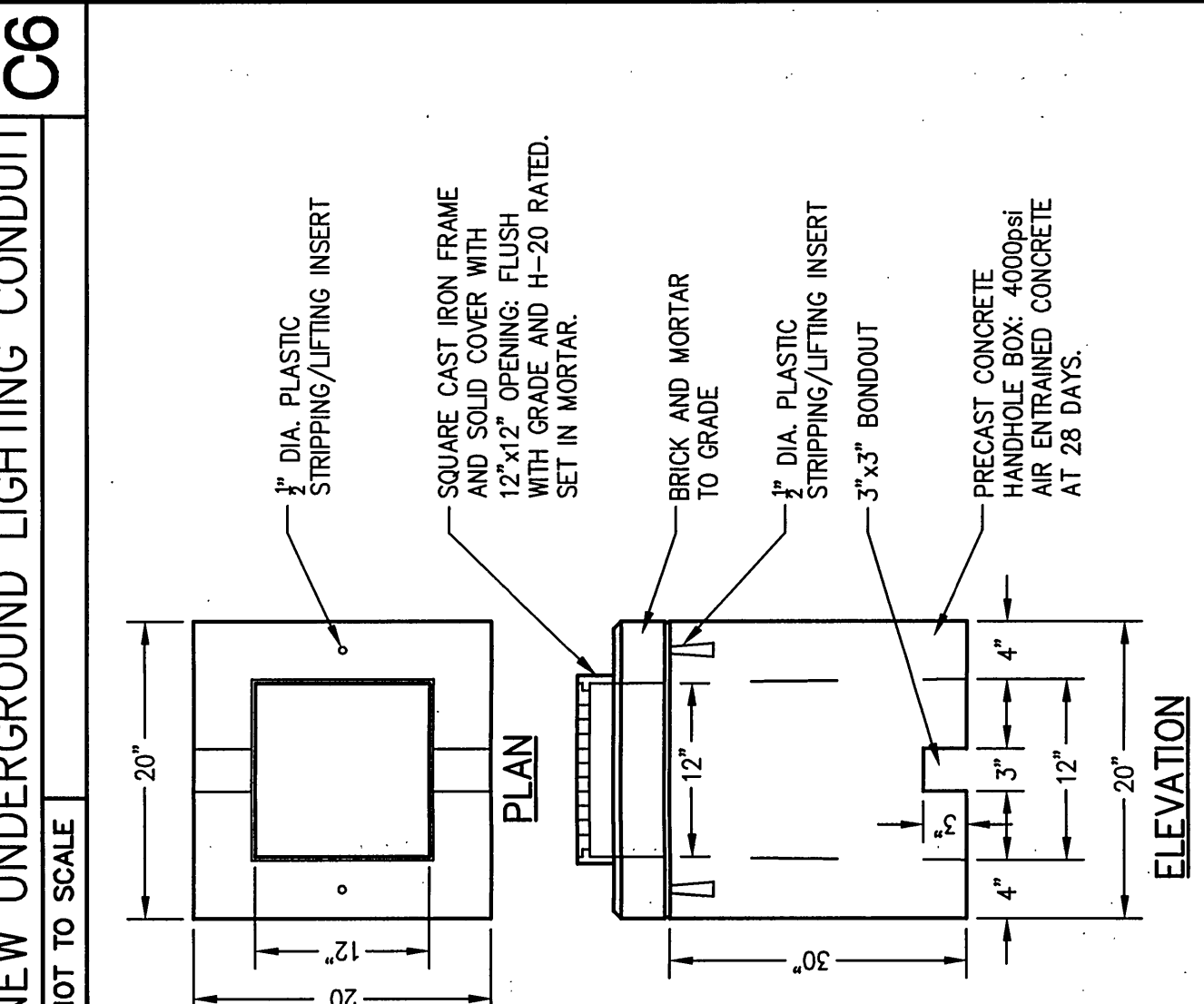
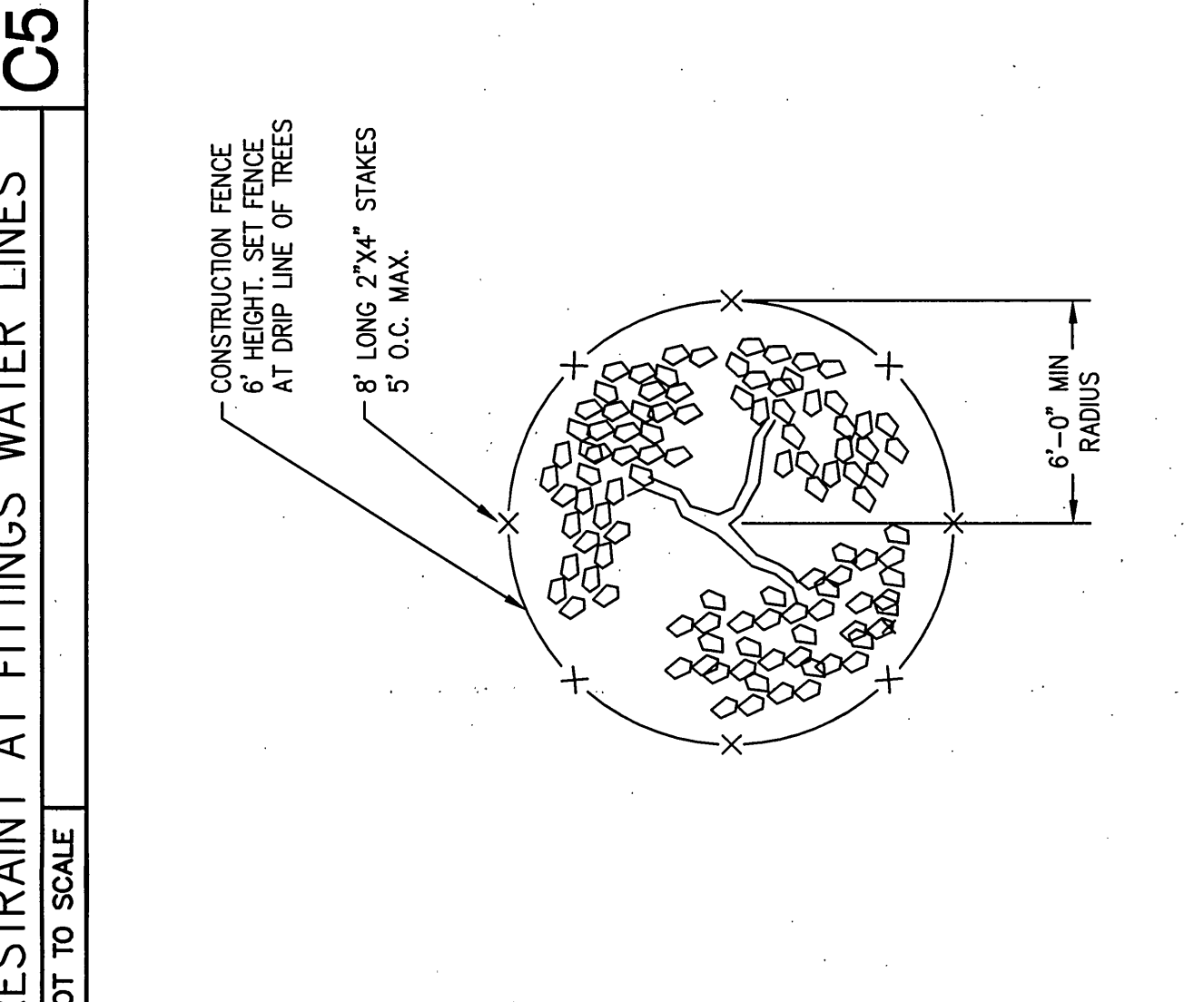
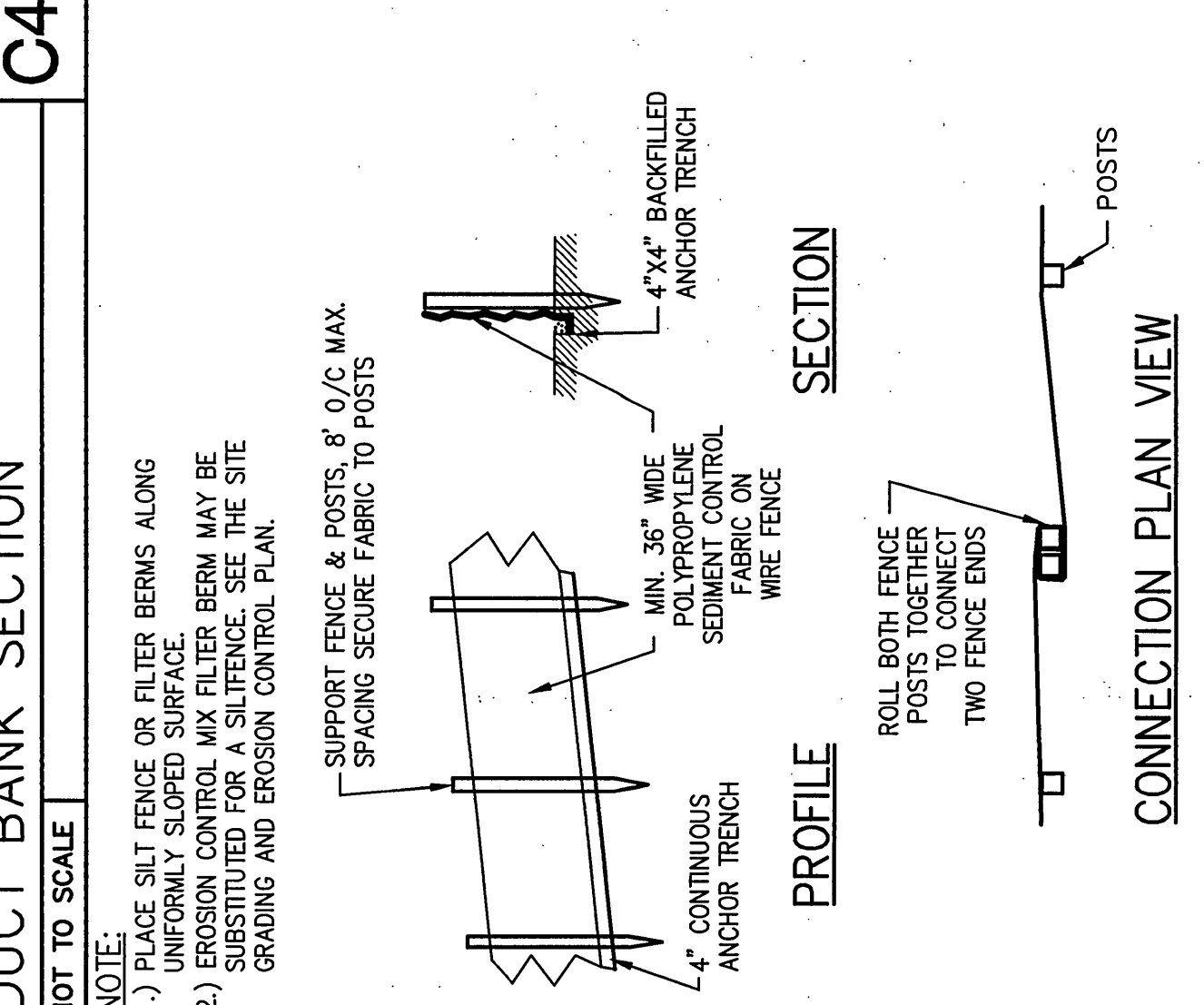
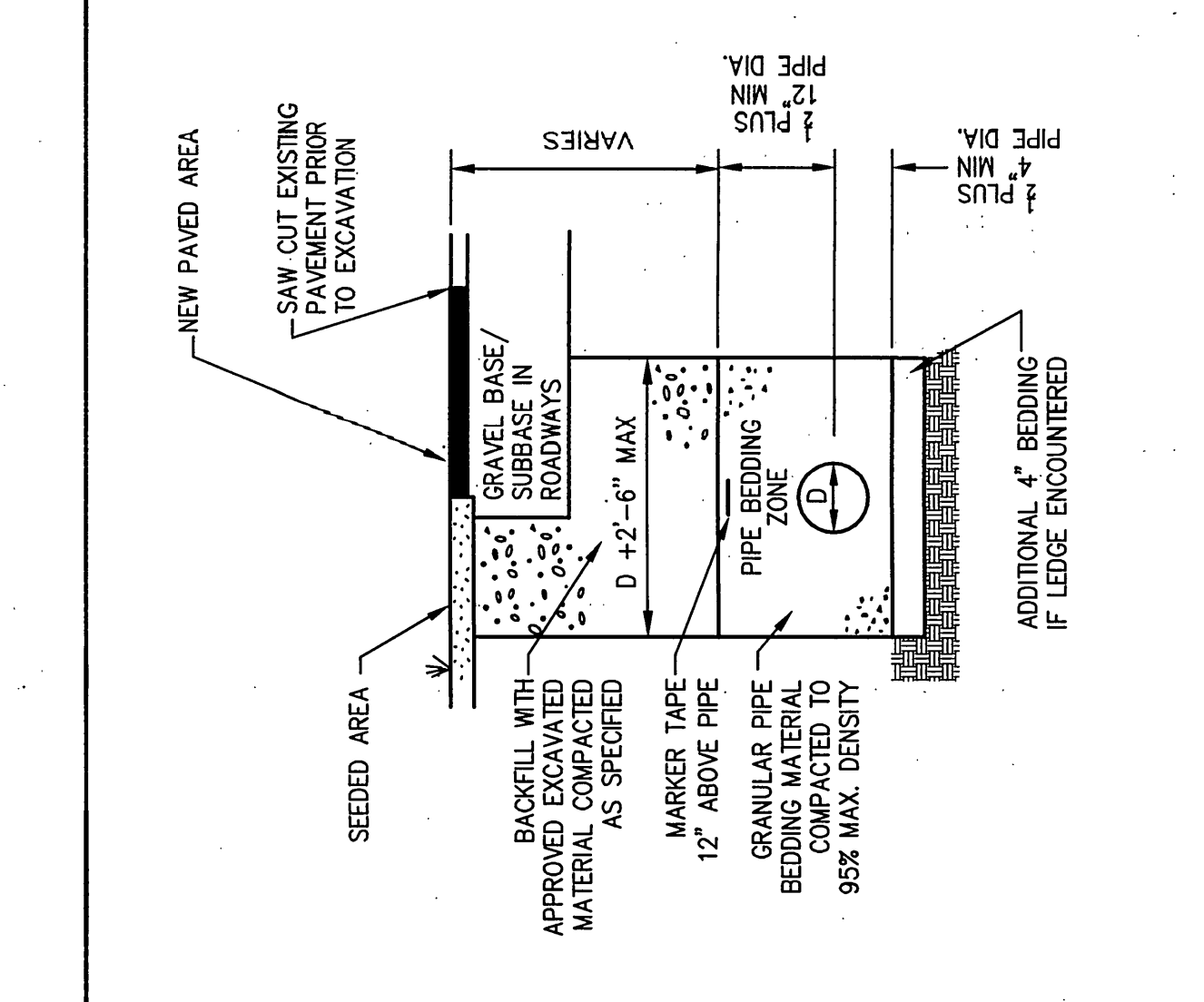
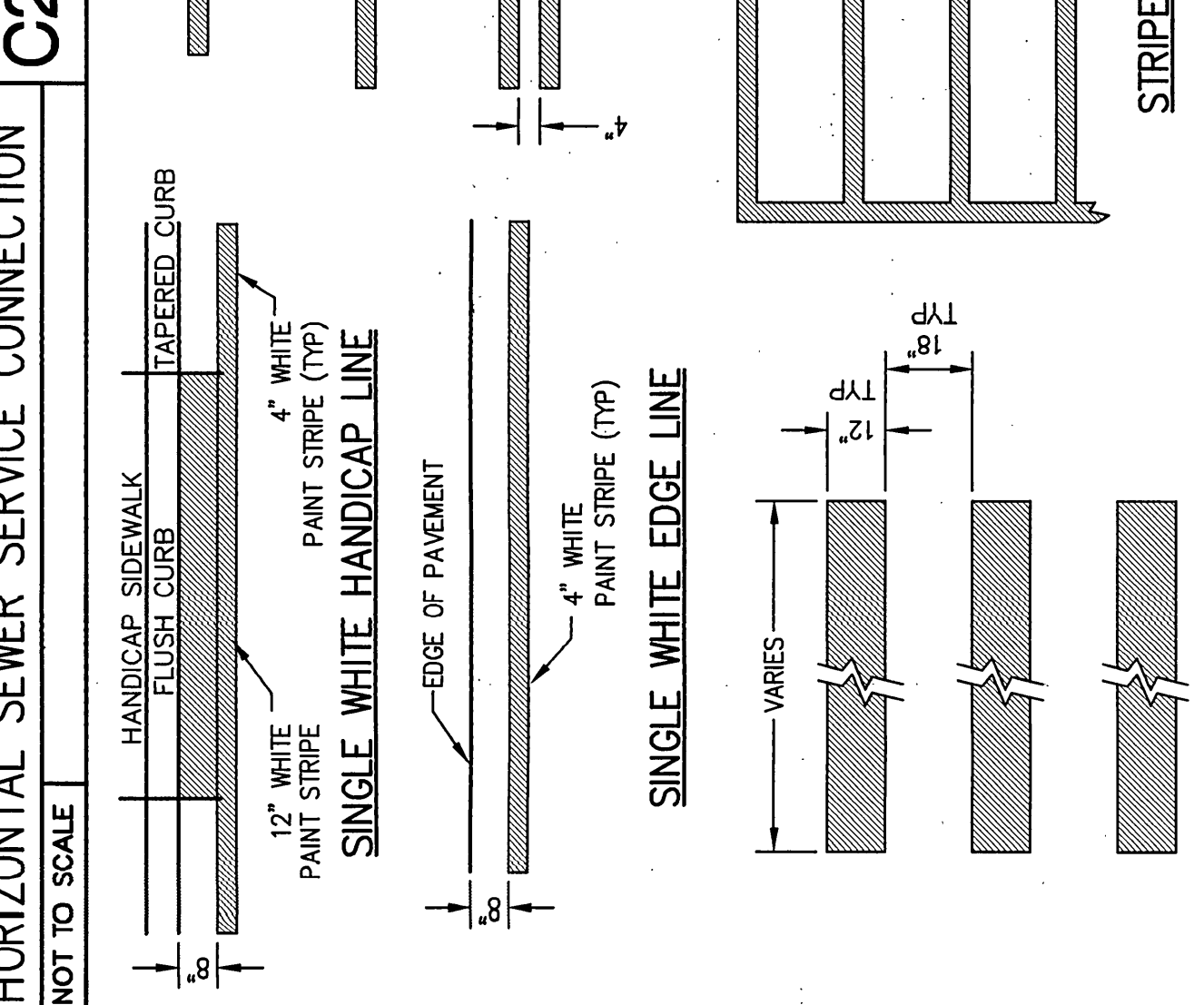
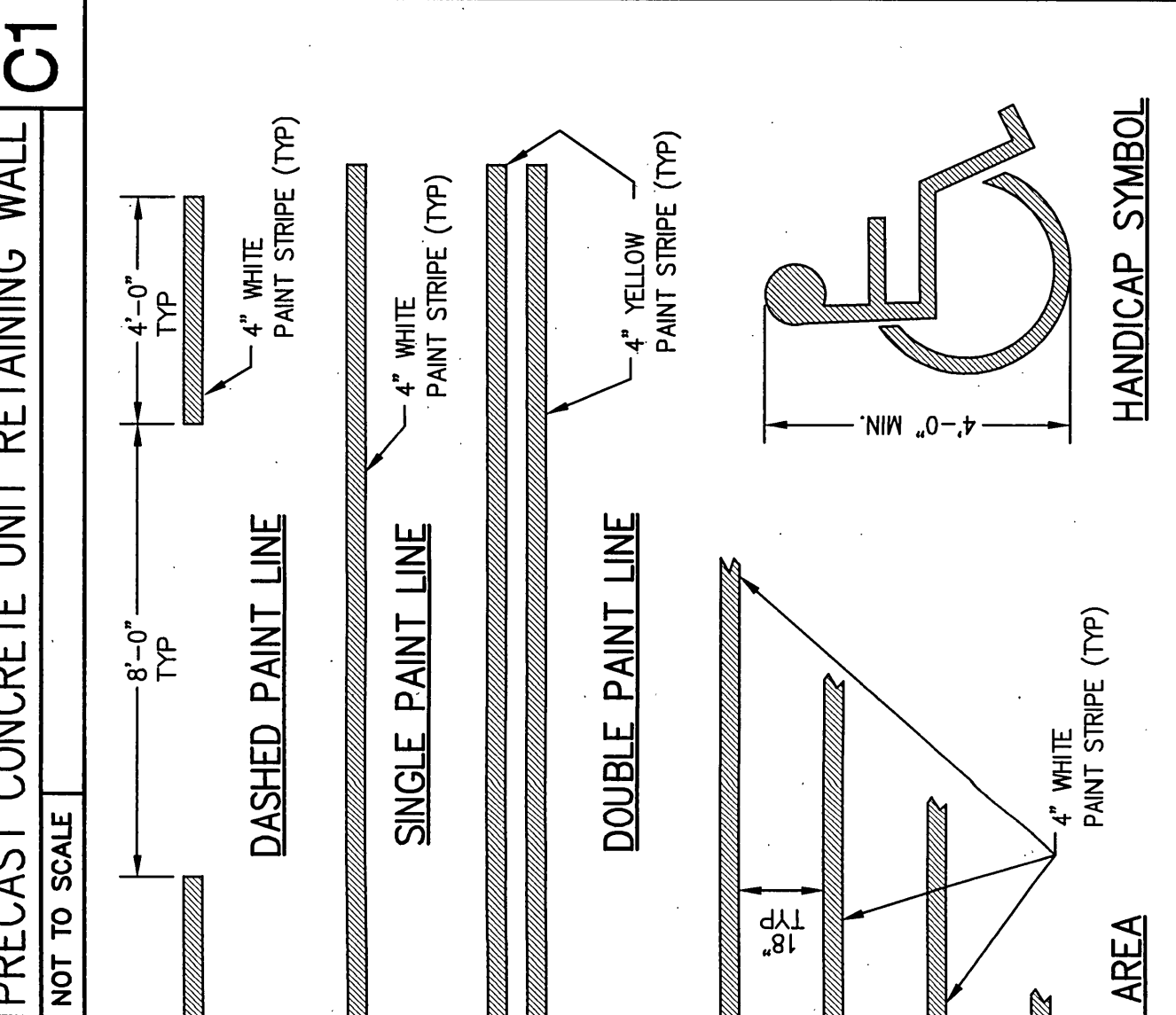
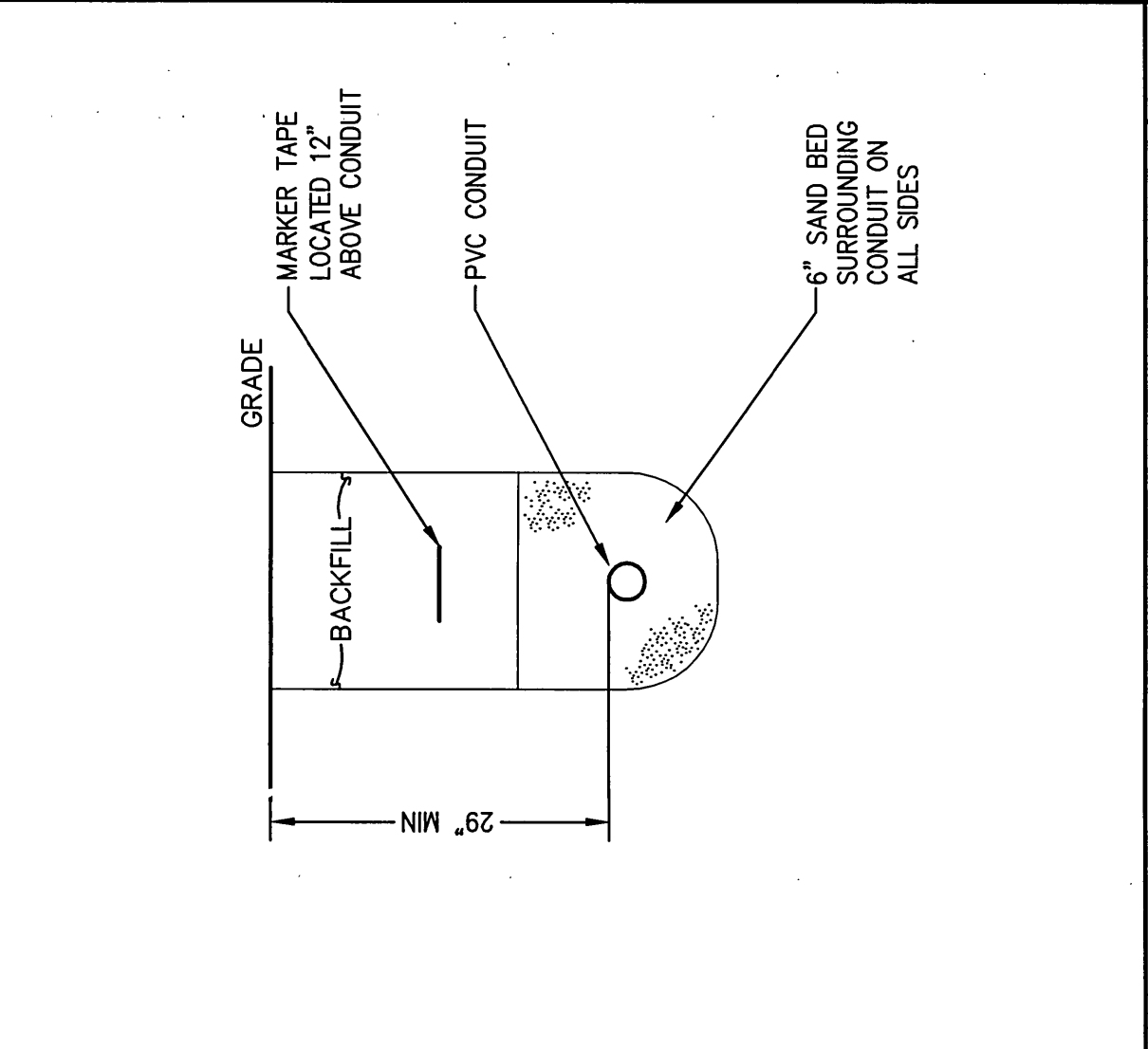
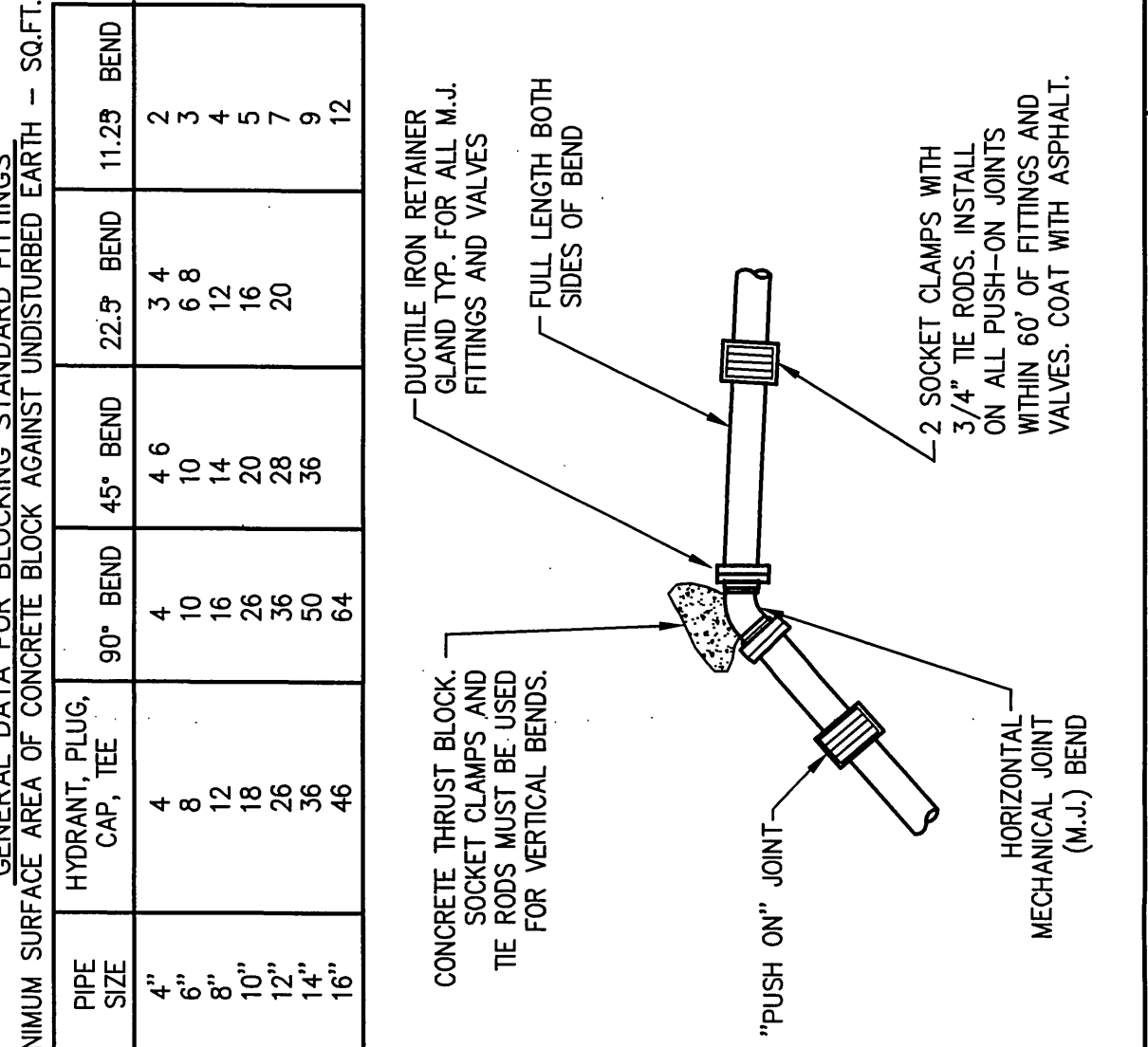
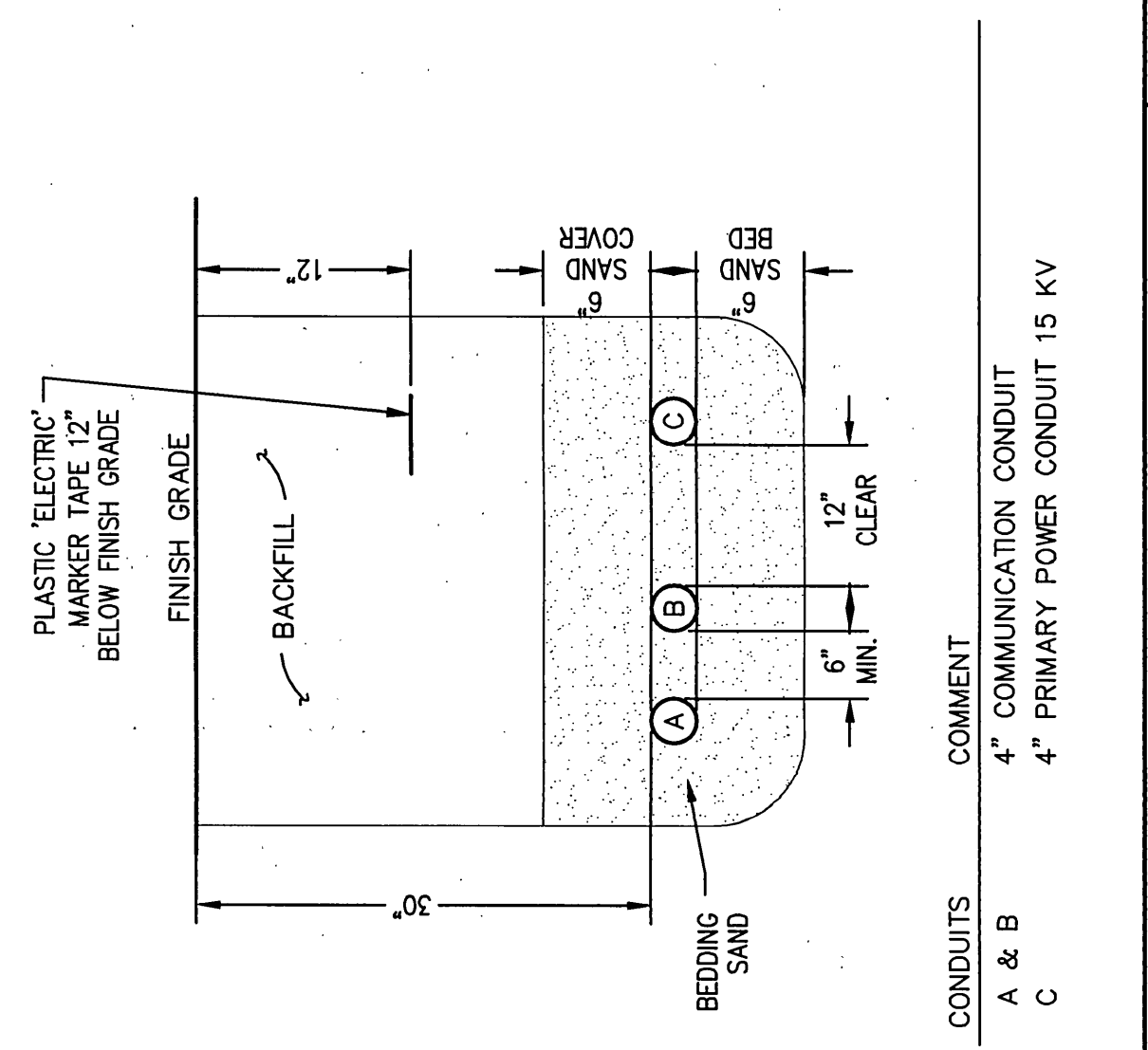
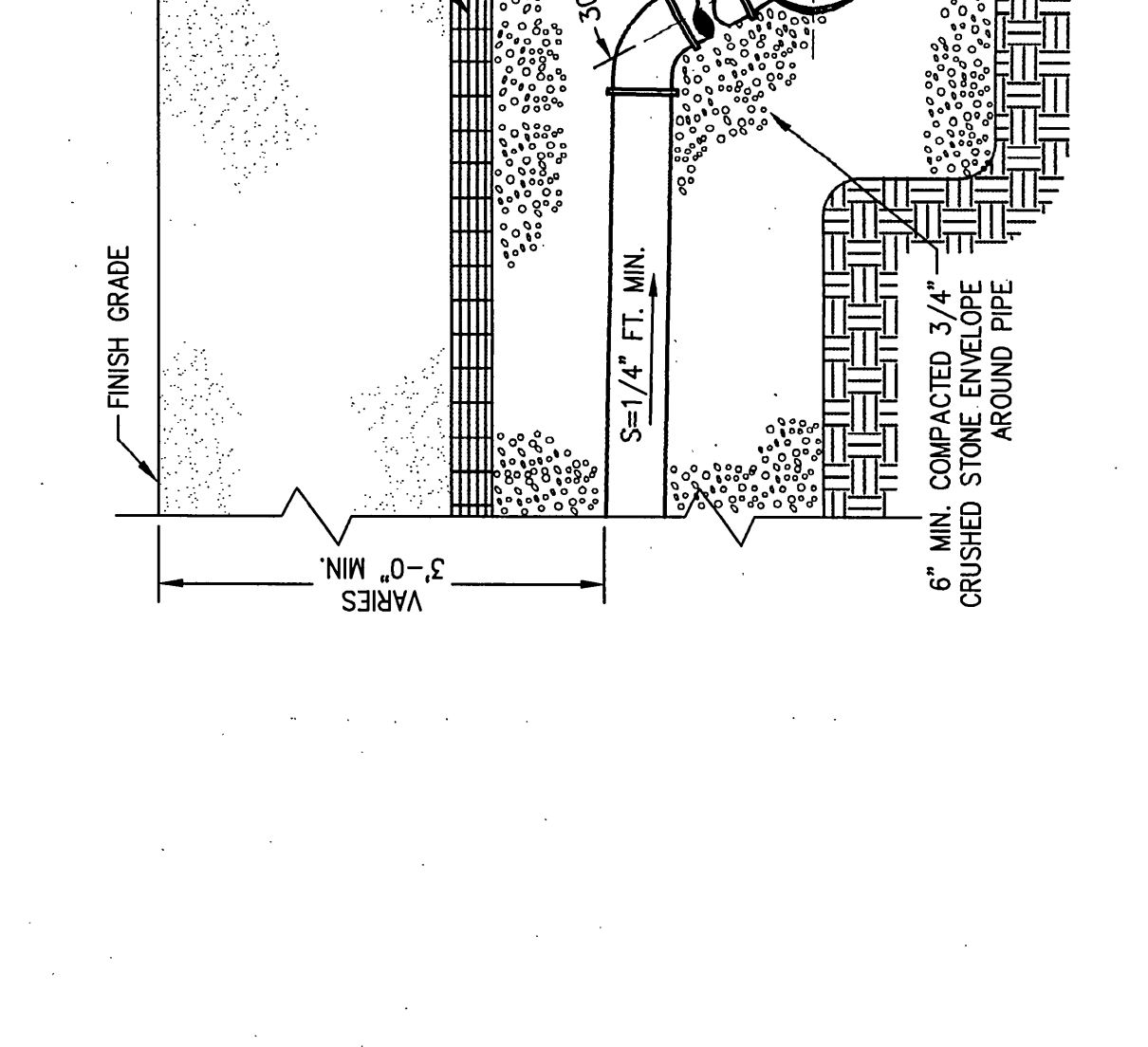
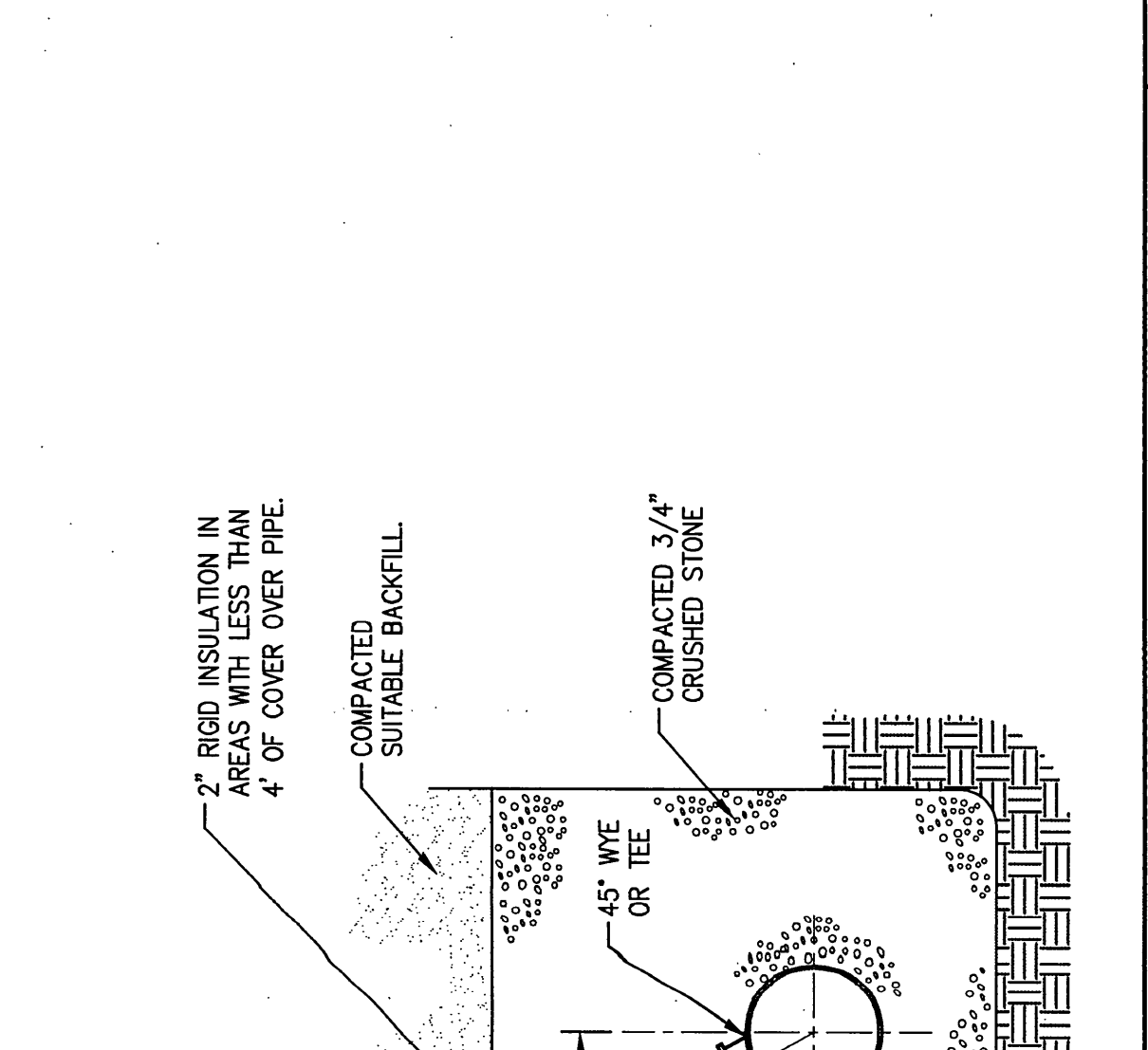
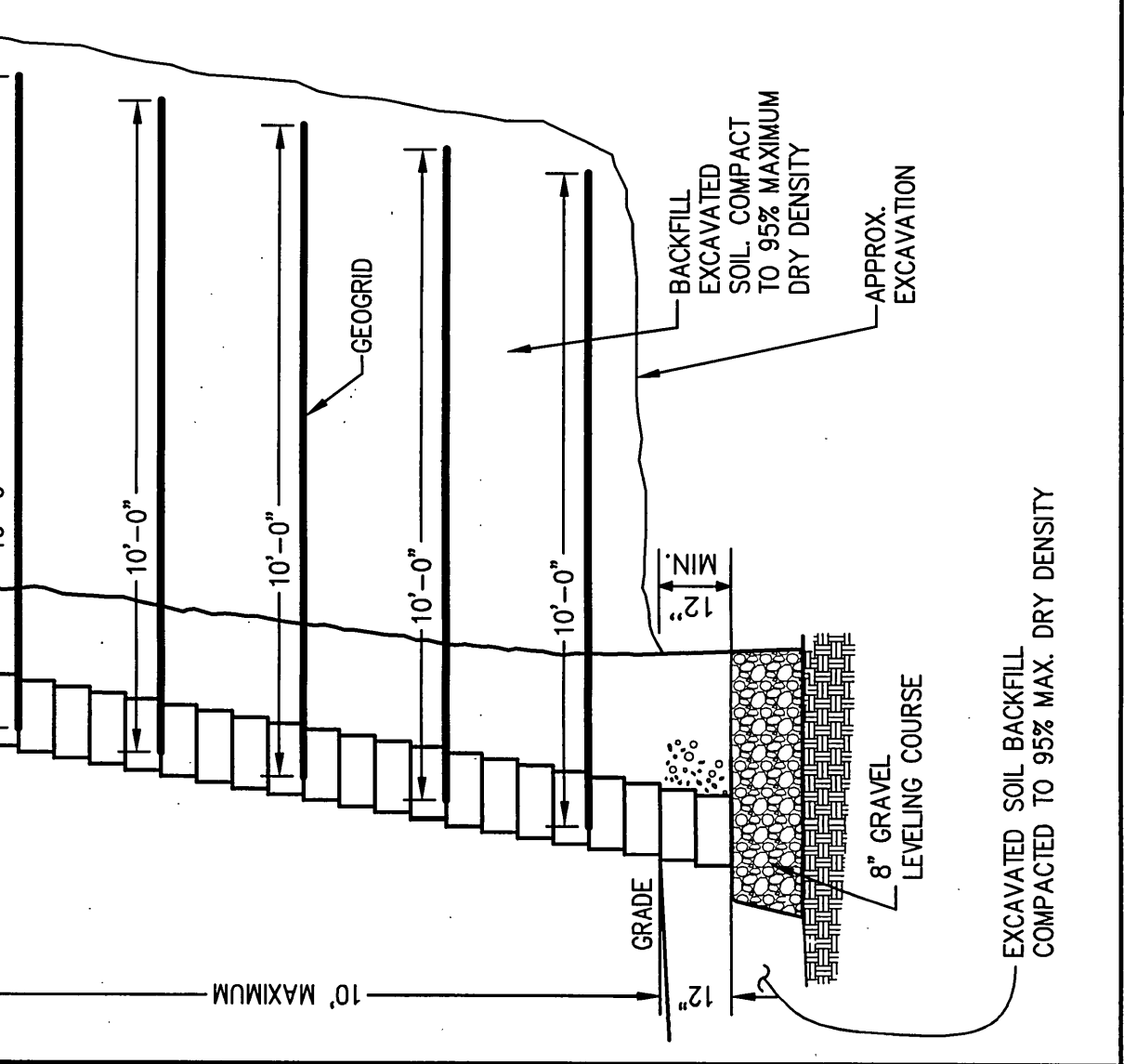
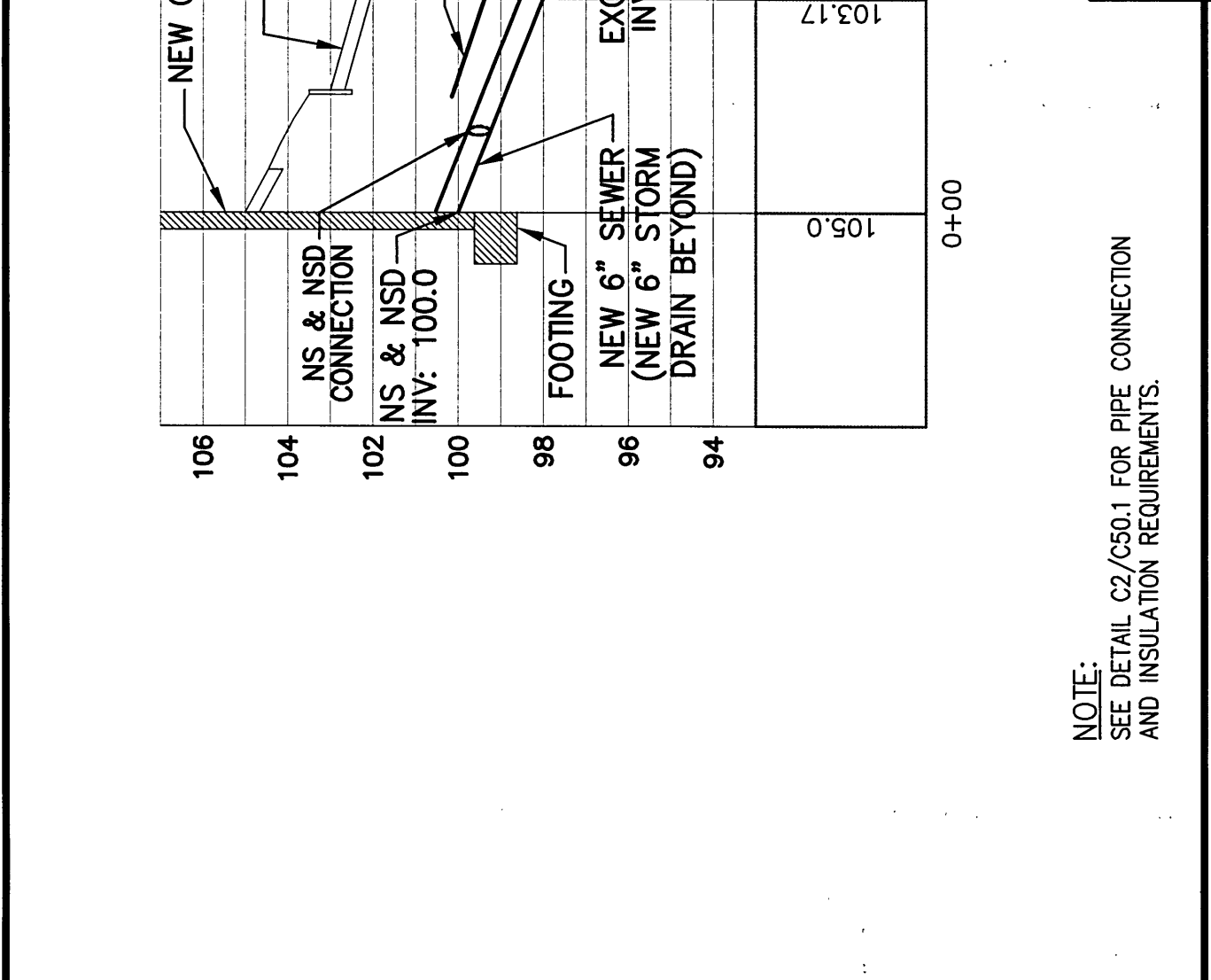
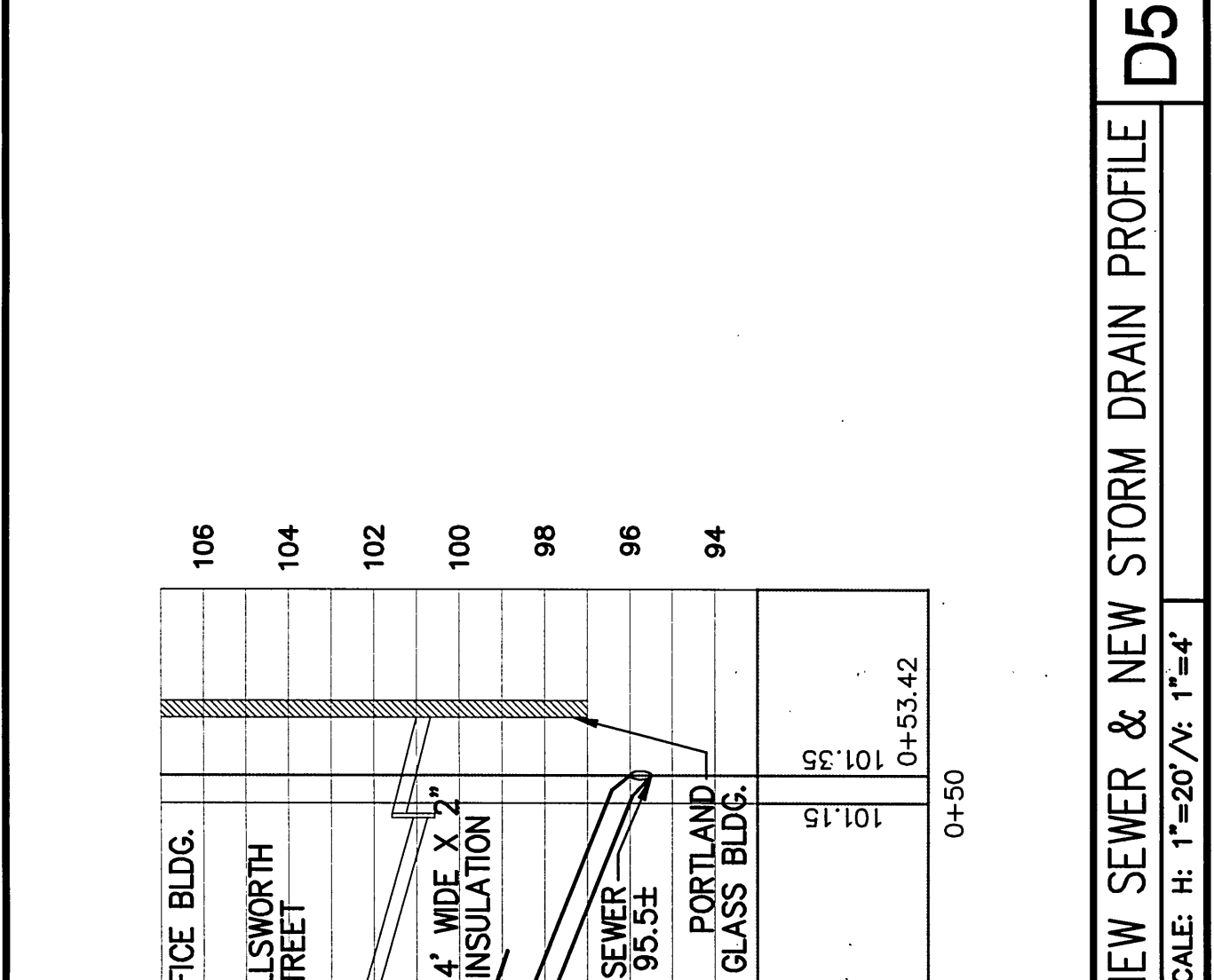
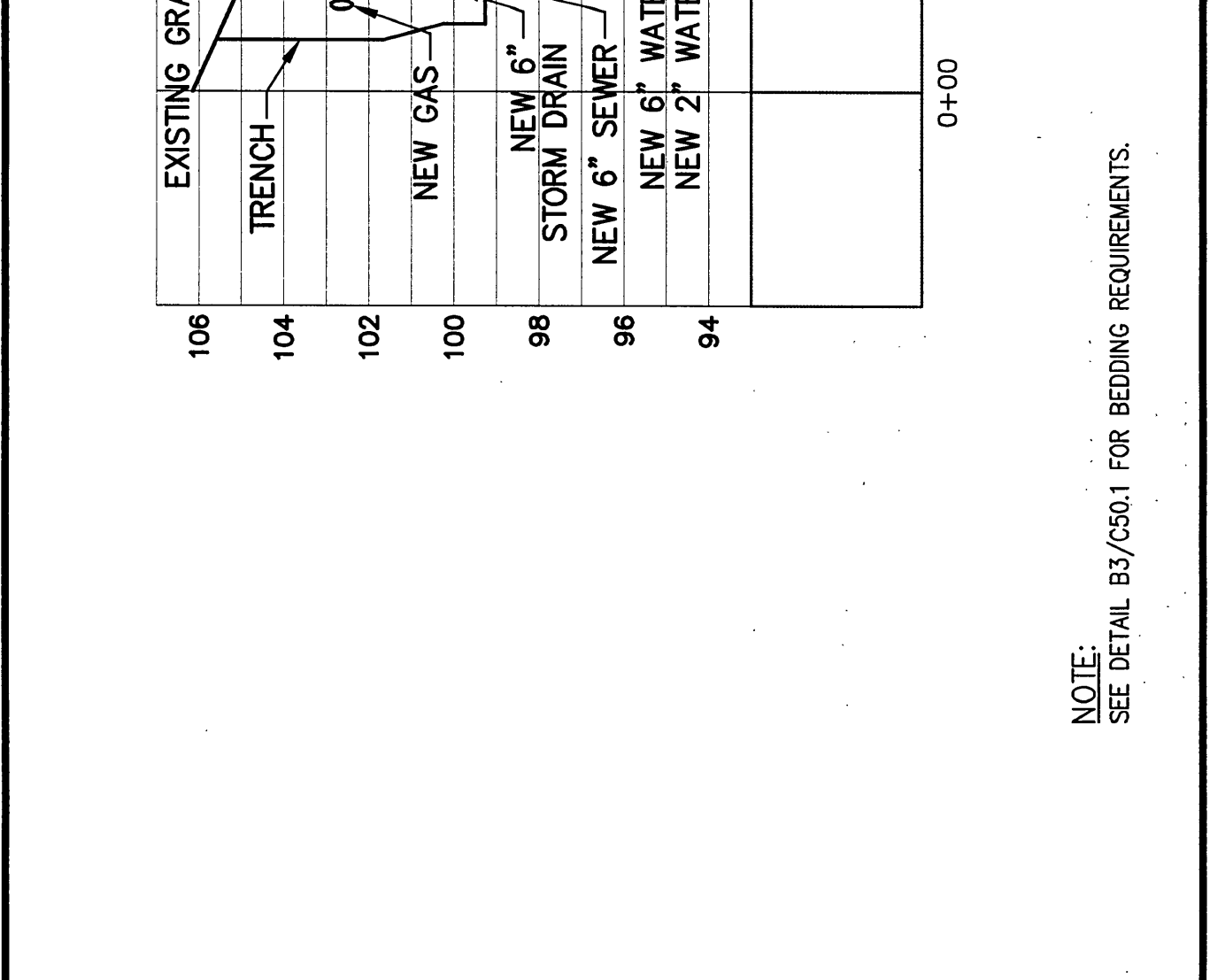
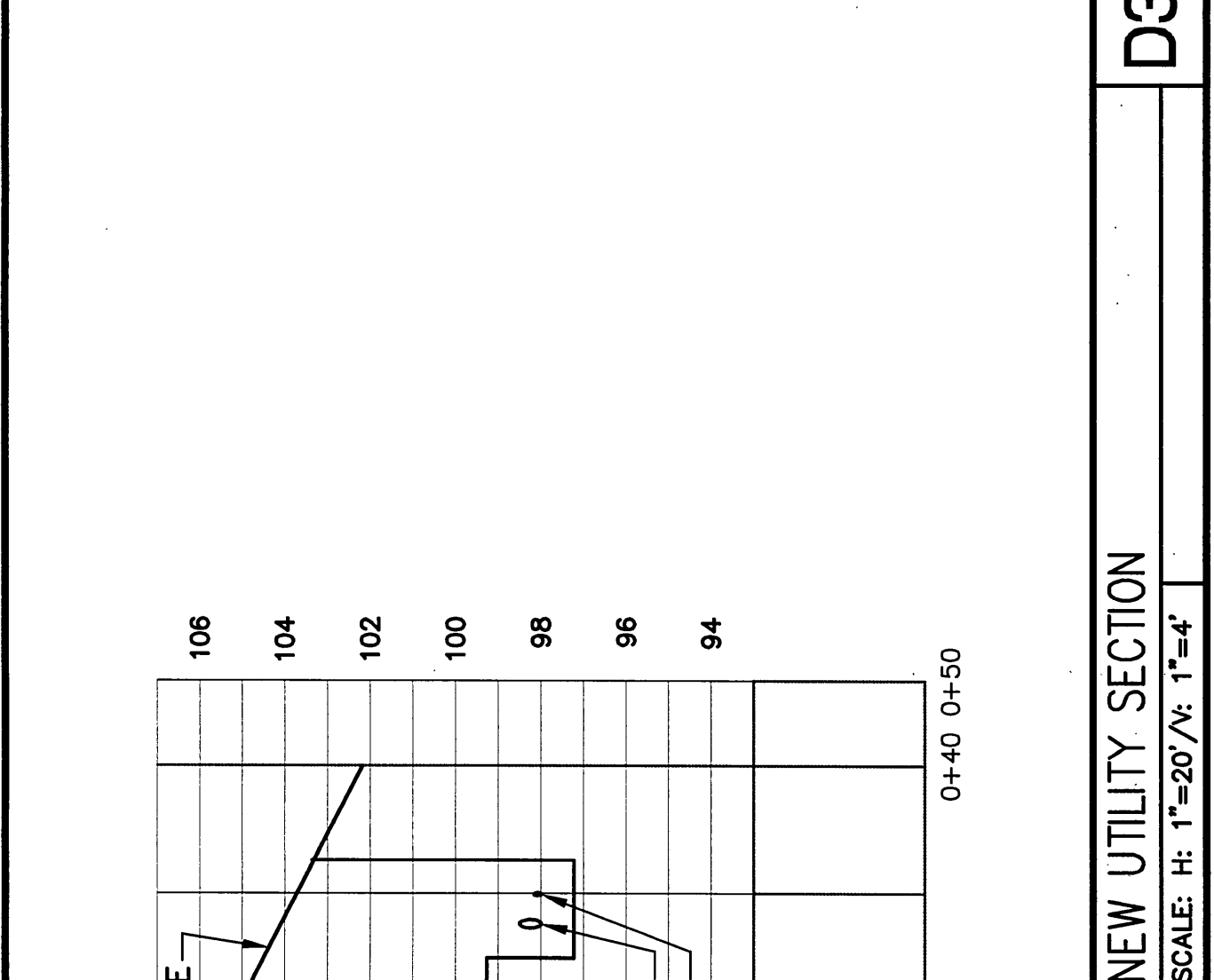
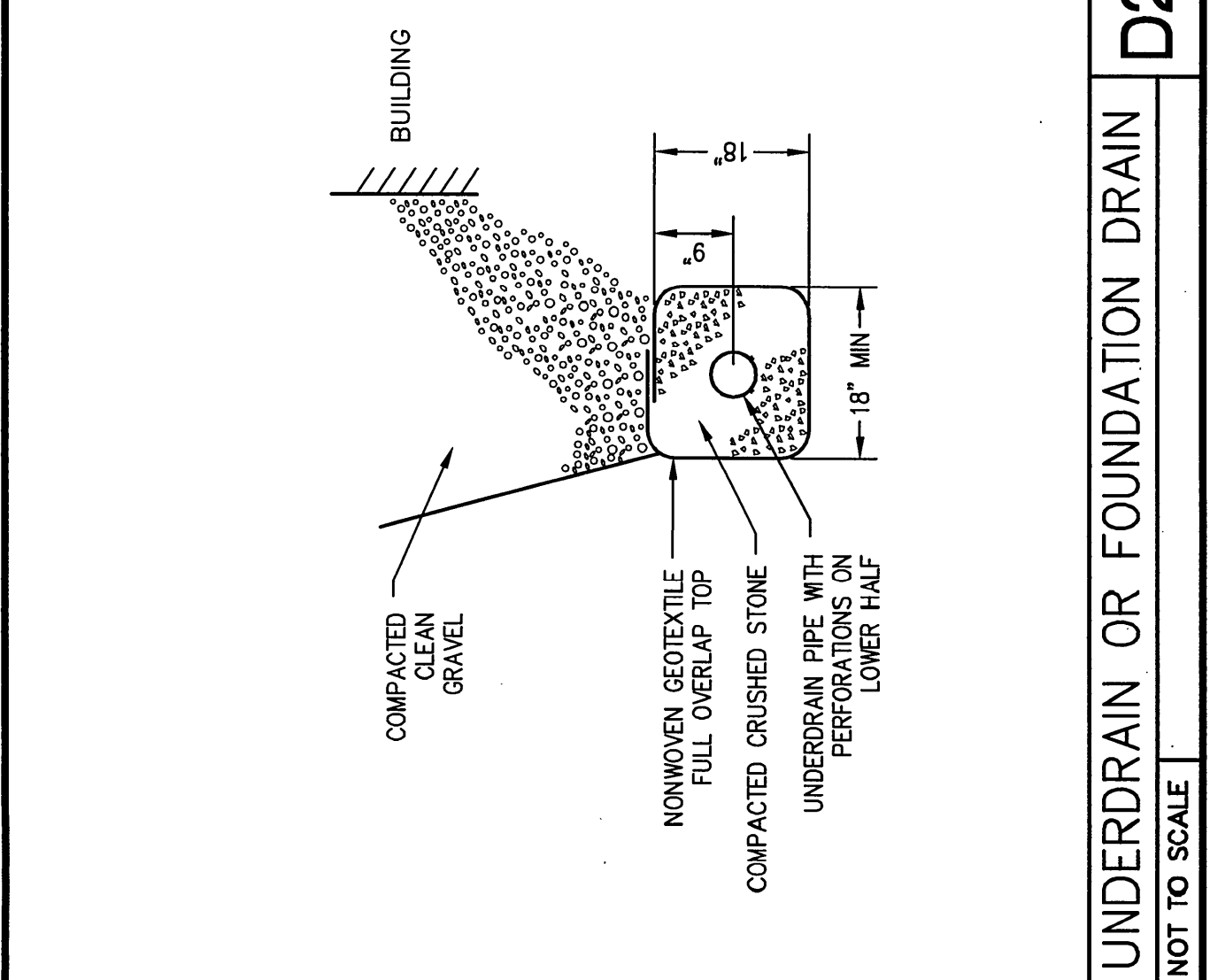
SITE DETAILS

Project Title: MAINE HEART SURGICAL ASSOC. NEW OFFICE BLDG.
 Port No. 04180
 Key Plan

Drawing Status: NOT IN CONTRACT

PA / PE: FLC
 Drawn By: MRL/ANHS
 Drawing Number: C50.1

NOTE: SUBMIT FOR REVIEW DRAWN PROFILES AND SECTIONS PRIOR TO CONSTRUCTING P.C. CONC. UNIT RETAINING WALLS. FOR WALLS MORE THAN 5' TALL, SUBMIT DESIGN DRAWINGS AND COMPUTATIONS STAMPED BY A PROFESSIONAL ENGINEER. LENGTH AND NUMBER OF GEORID LAYERS MAY VARY BASED ON WALL DESIGN.



NEW SEWER & NEW STORM DRAIN PROFILE
 SCALE: H: 1"=20' V: 1"=4'

PIPE SIZE	HYDRANT PLUG CAP. IN.	90° BEND	45° BEND	22.5° BEND	11.25° BEND
4"	4	4	4	3	2
6"	6	6	6	5	3
8"	8	8	8	6	4
10"	10	10	10	8	5
12"	12	12	12	10	7
14"	14	14	14	12	8
16"	16	16	16	14	10

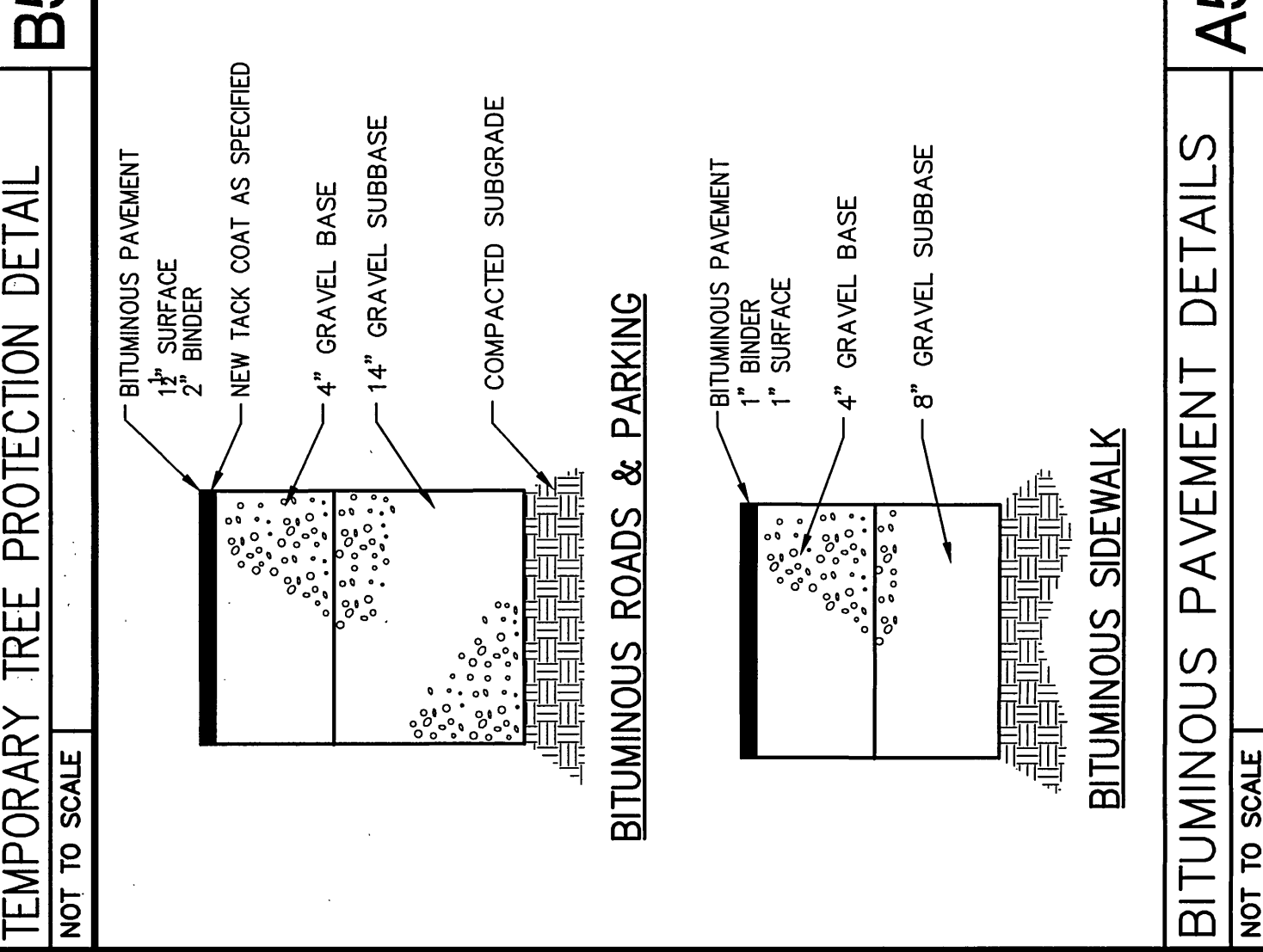
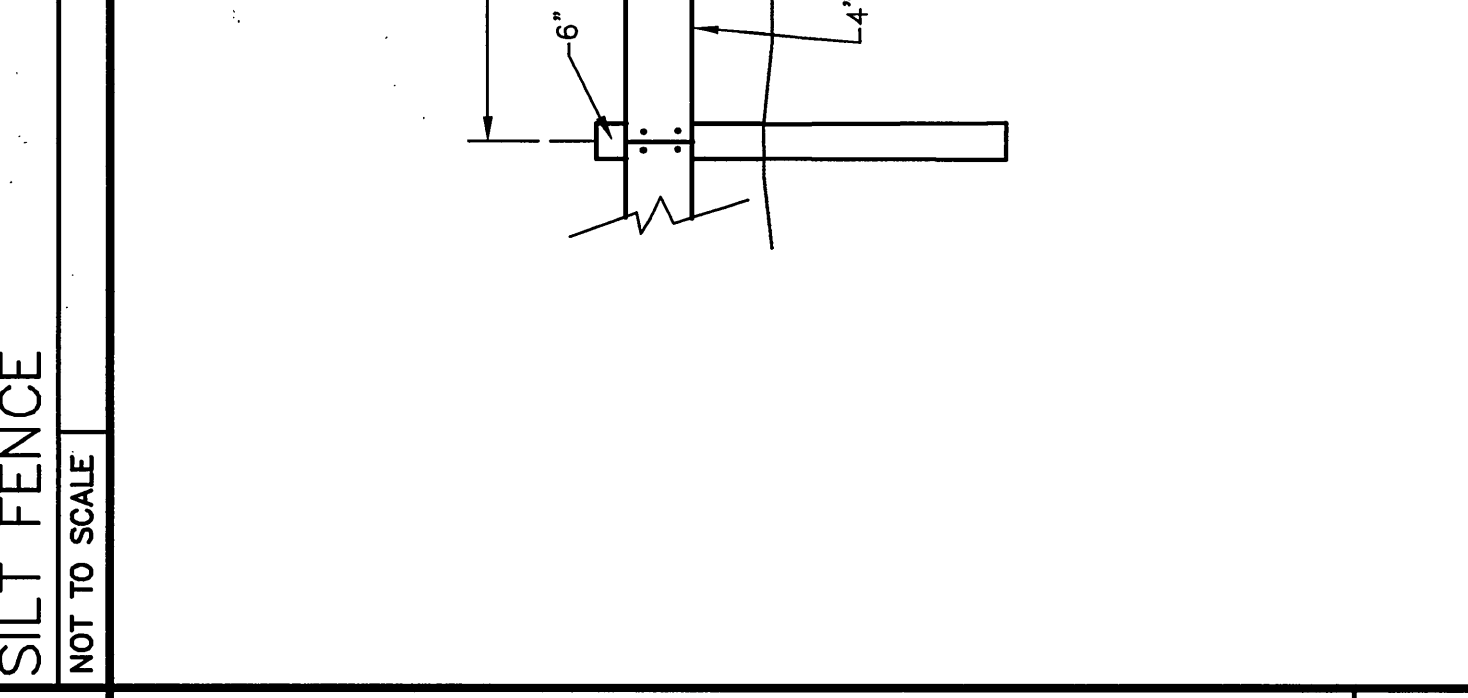
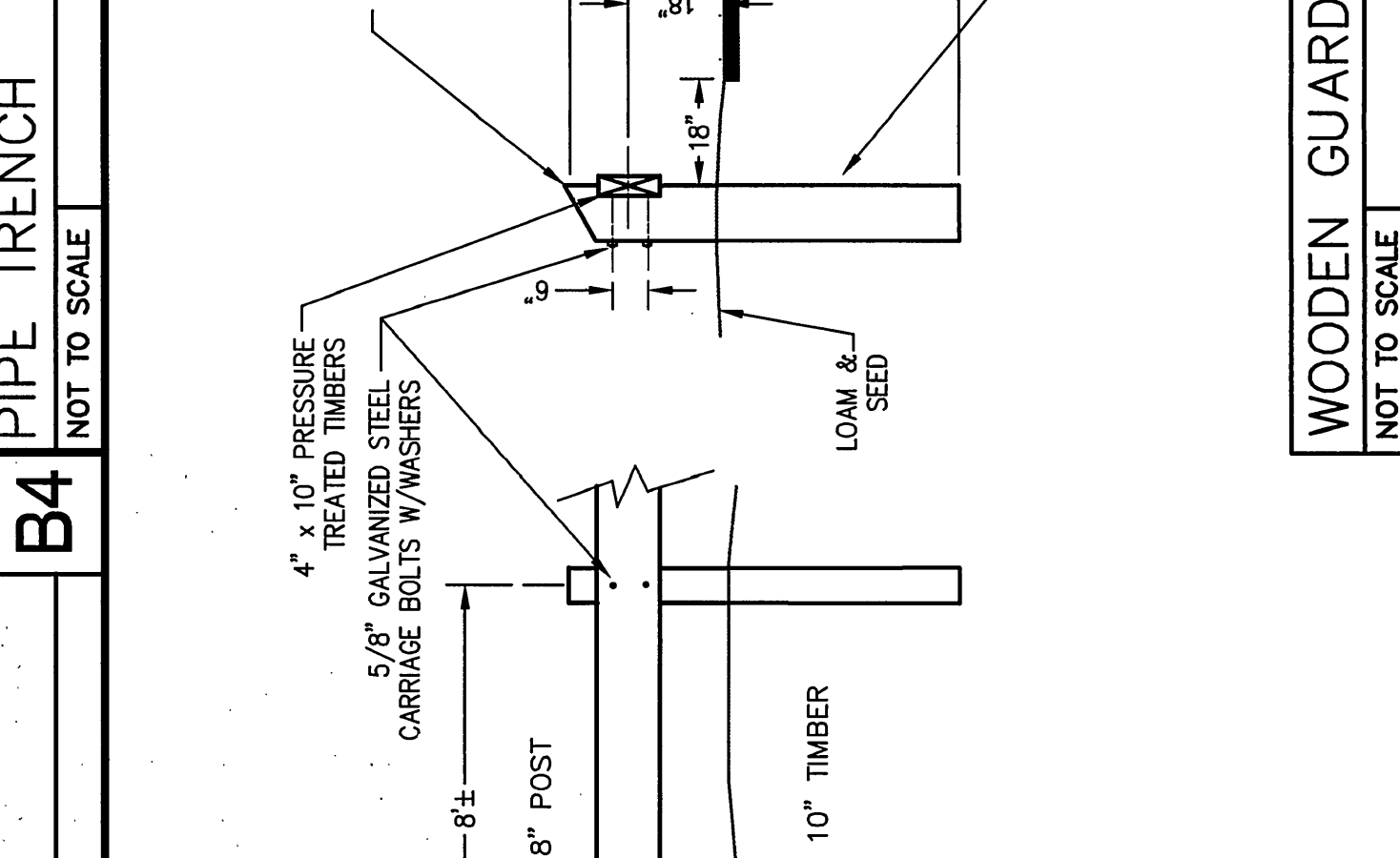
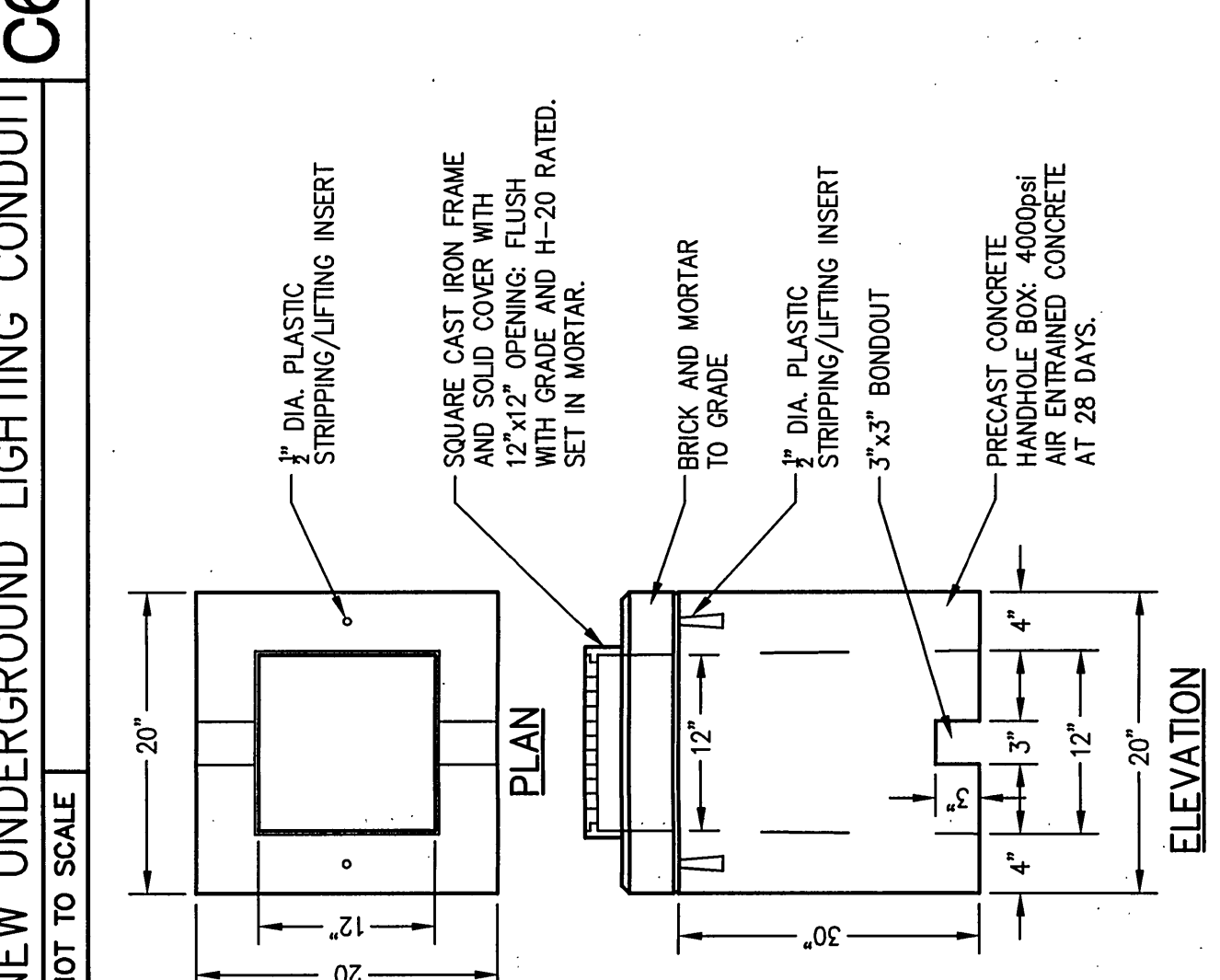
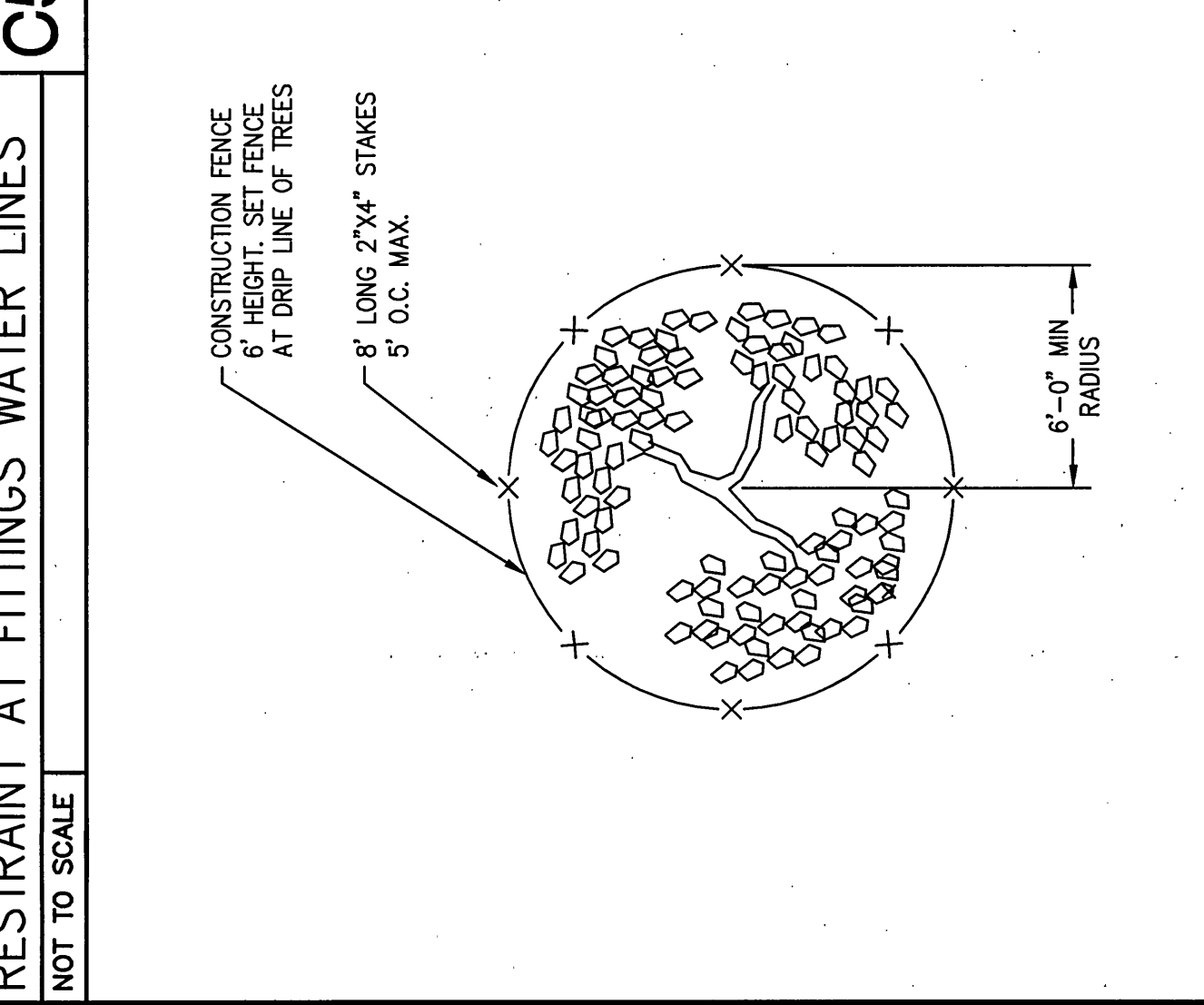
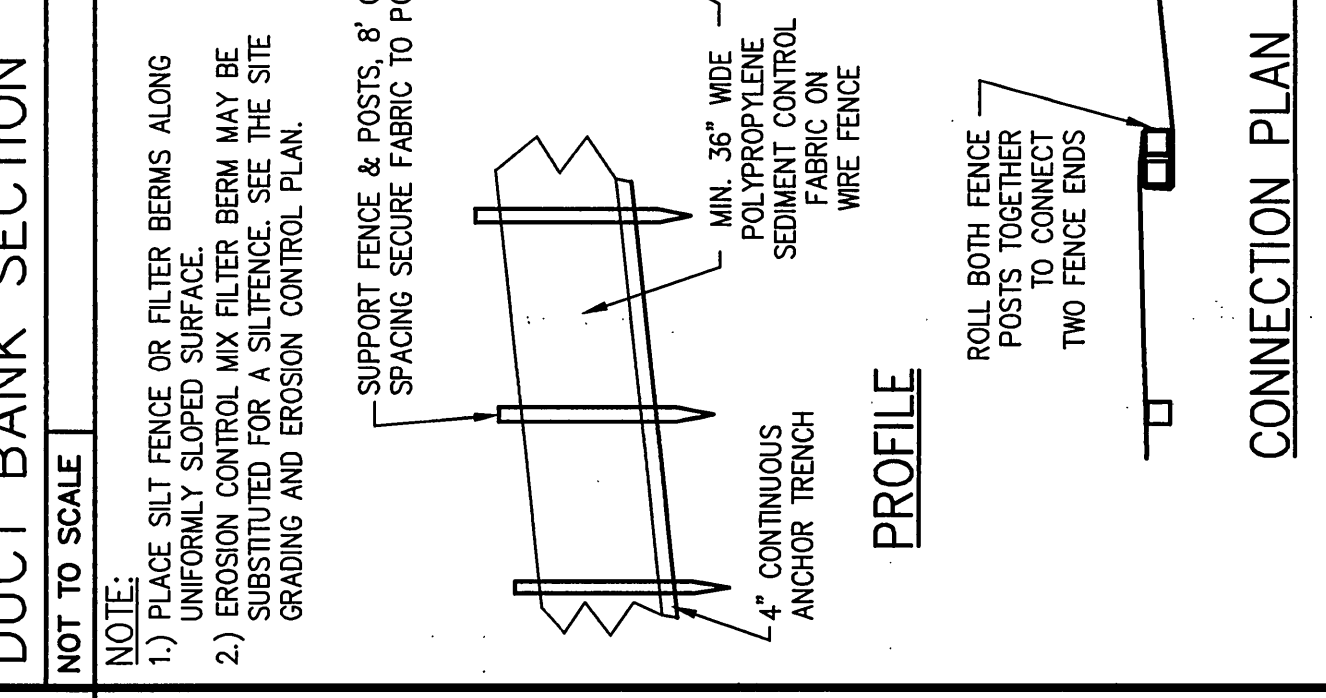
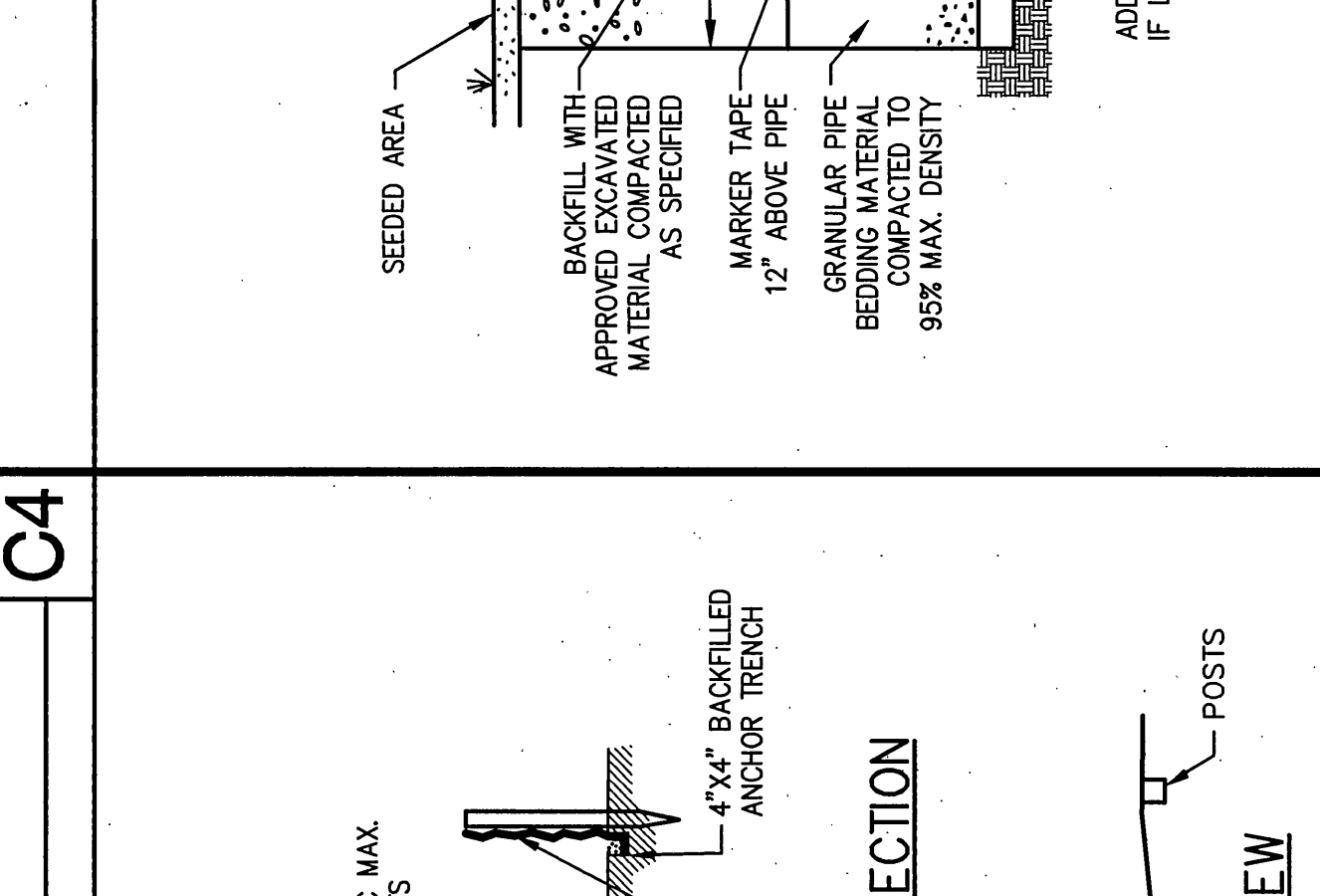
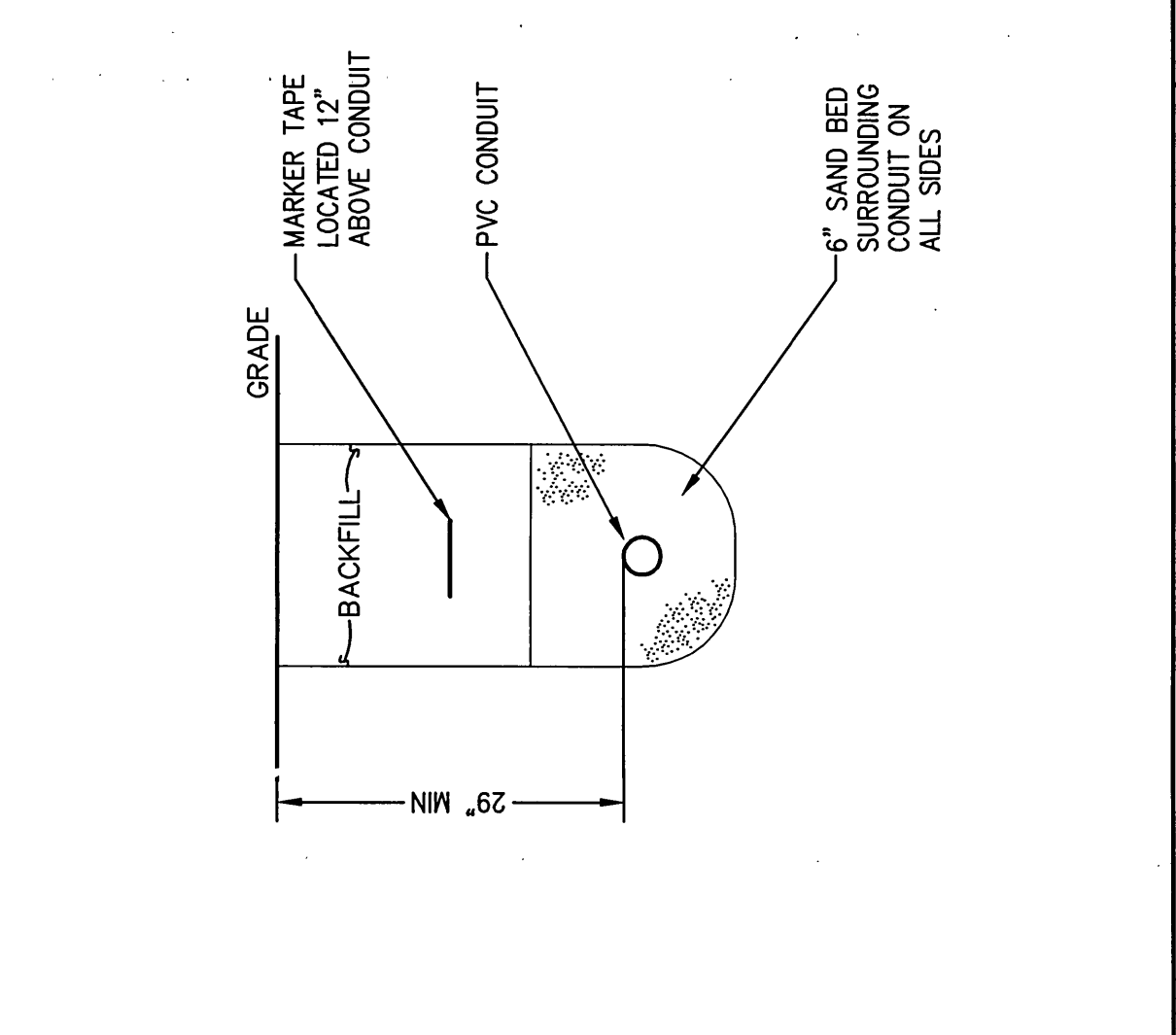
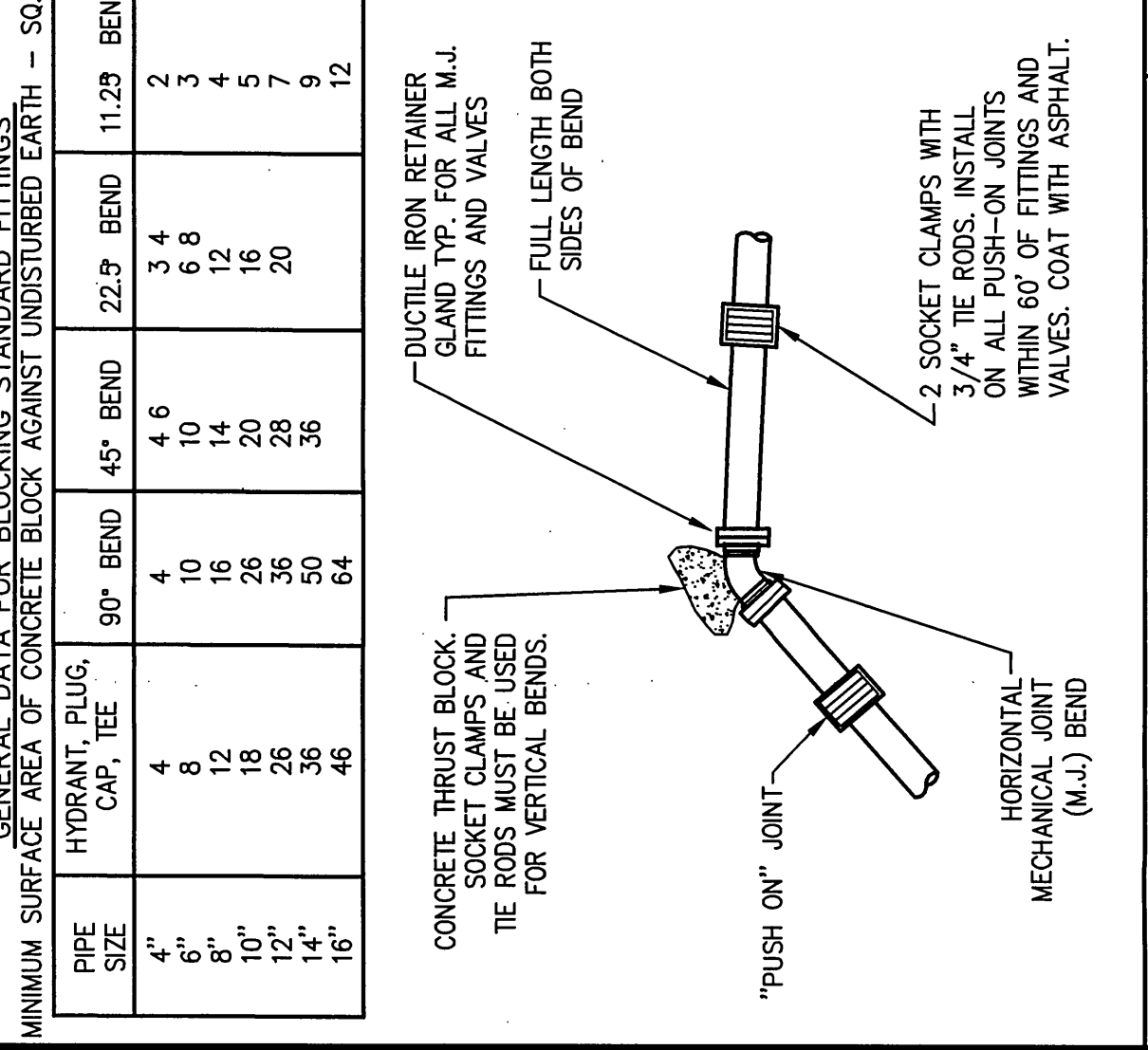
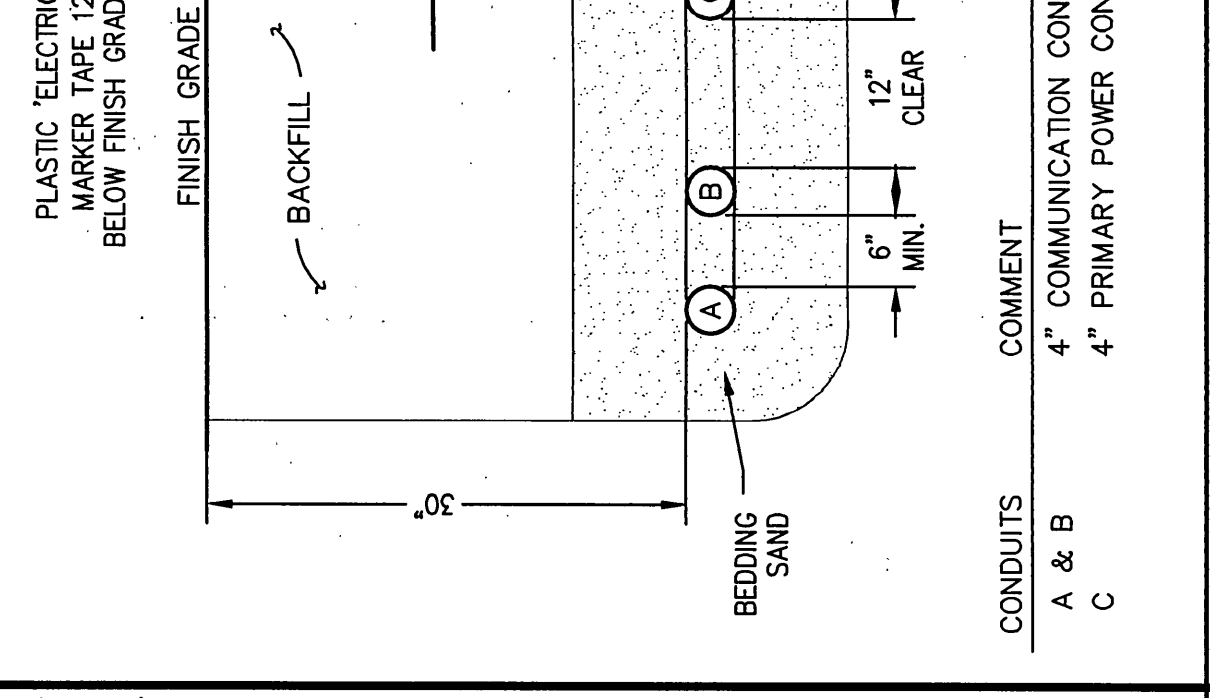
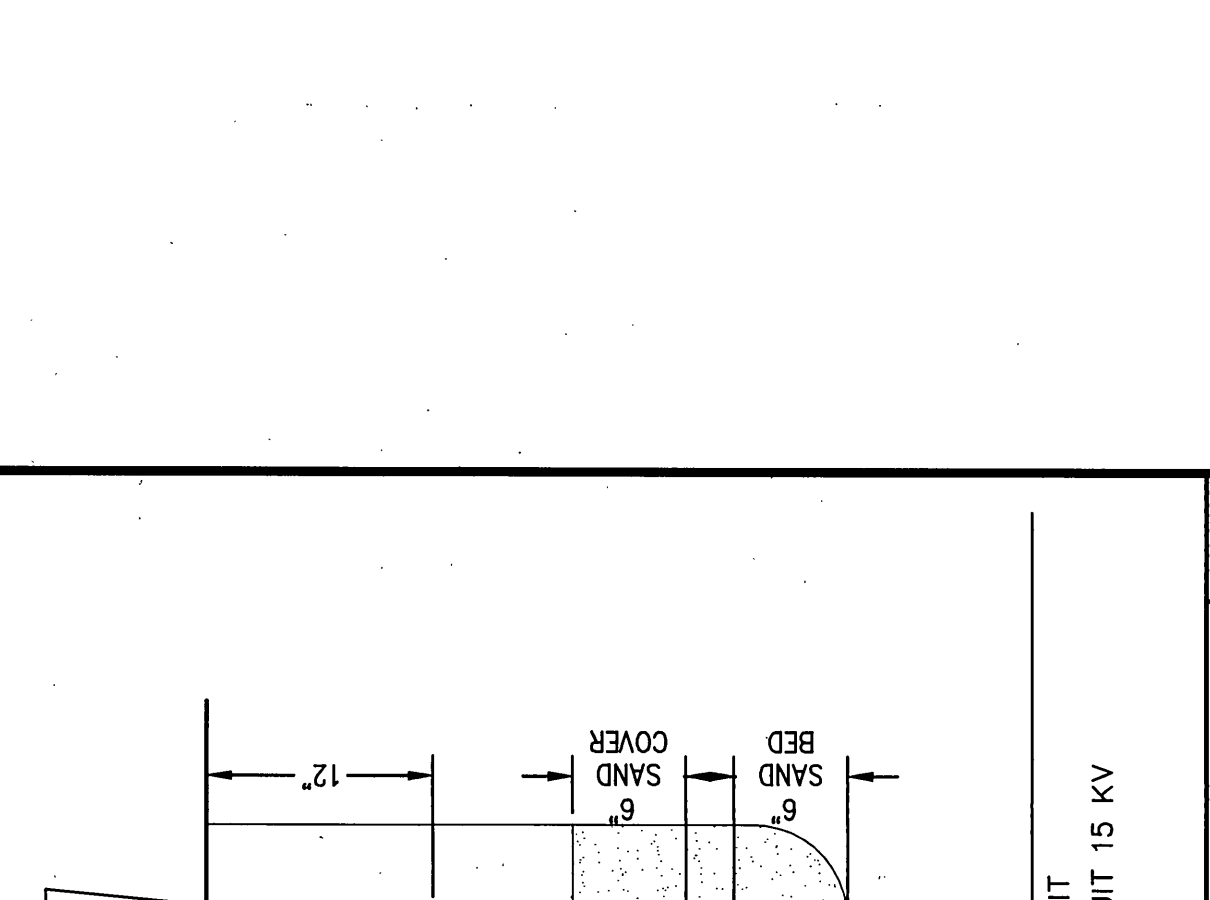
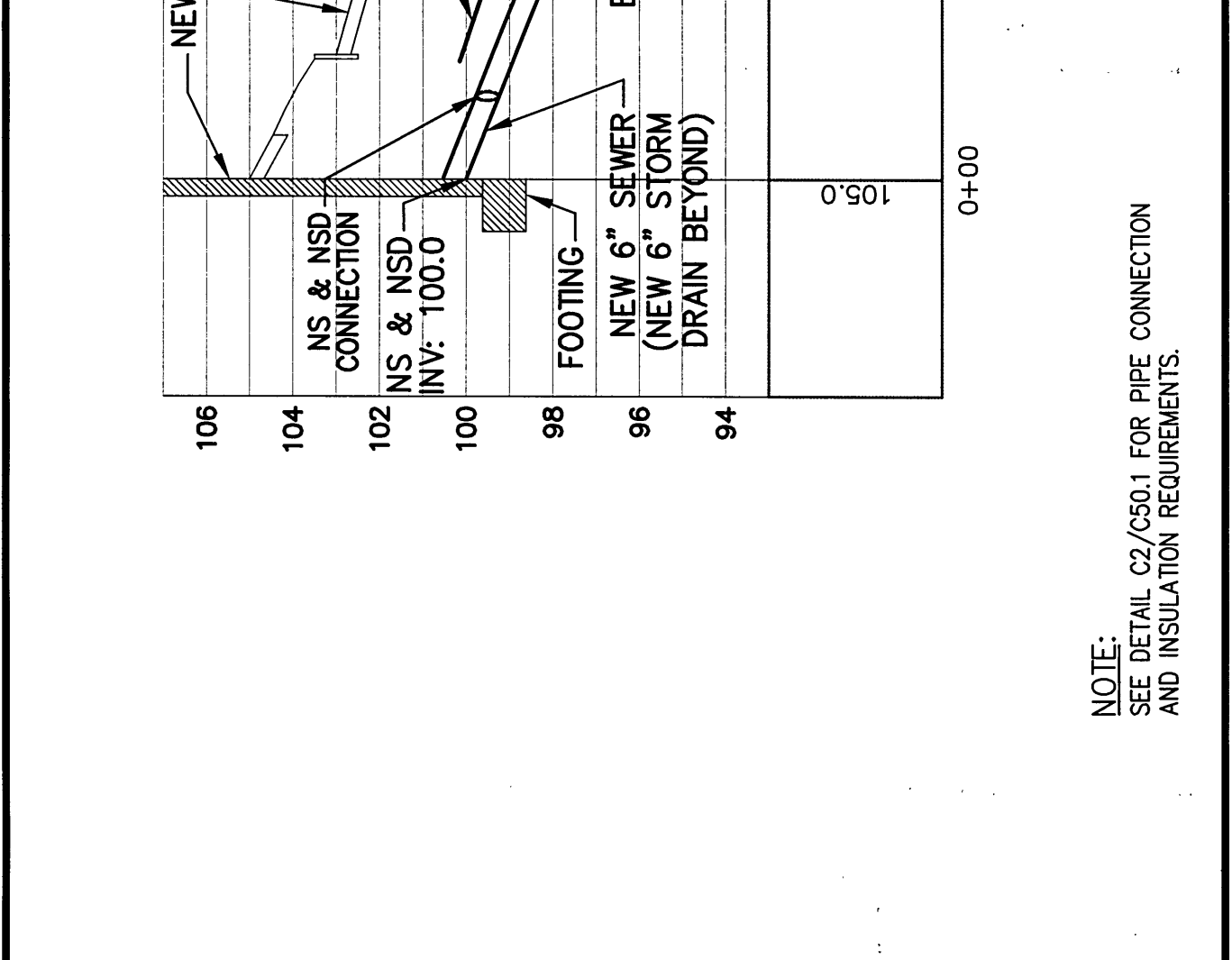
MINIMUM SURFACE AREA OF CONCRETE BLOCK AGAINST UNDISTURBED EARTH - SQ.FT.

CONCRETE THRUST BLOCK. CONCRETE CLAMPS SHALL BE USED FOR VERTICAL BENDS.
 "PUSH ON" JOINT
 HORIZONTAL MECHANICAL JOINT (M-J) BEND

DUCTILE IRON RETAINER FITTINGS AND VALVES
 FULL LENGTH BOTH SIDES OF BEND

2 SOCKET CLAMPS WITH 3/4" TIE BOLDS INSTALL ON ALL PUSH-ON JOINTS WITHIN 60" OF FITTINGS AND VALVES. COAT WITH ASPHALT.

6" SAND BED LOCATED 12" ABOVE CONDUIT ON ALL SIDES



WOODEN GUARDRAIL DETAIL NOT TO SCALE	A3
BITUMINOUS CAPE COD BERM CURB NOT TO SCALE	A2
STANDARD SITE LEGEND N.L.C.	A1