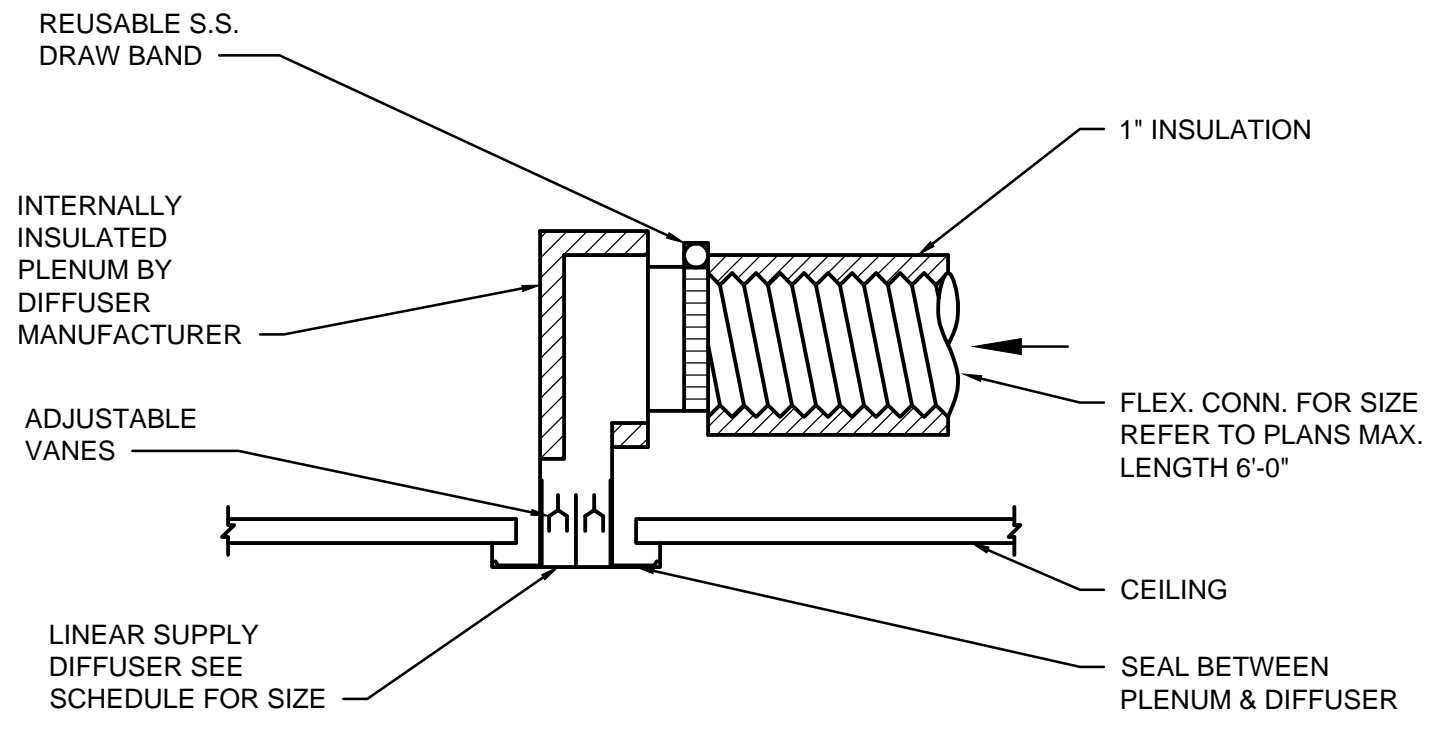
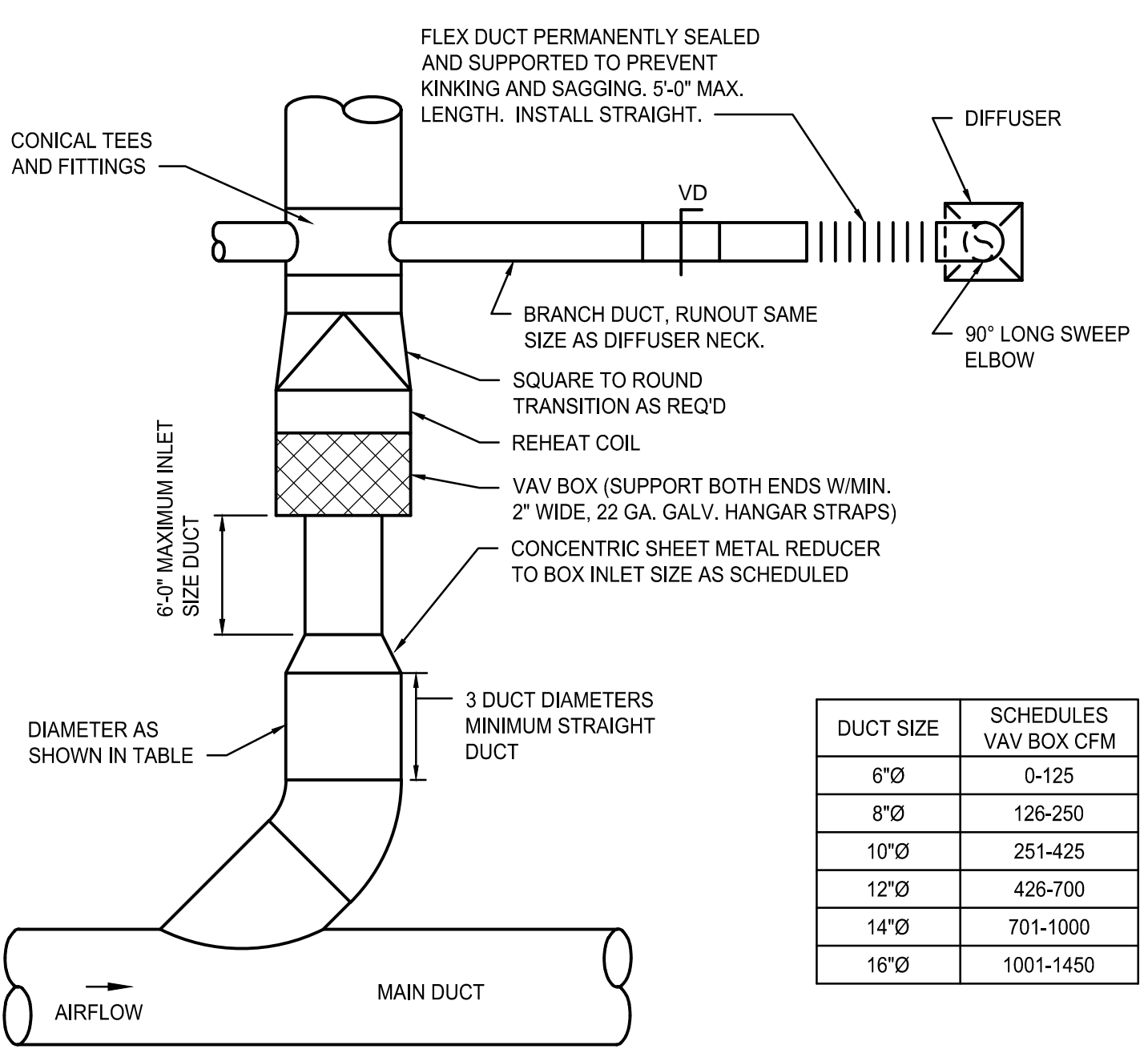


LOW PRESSURE DUCT ELBOWS - TYPICAL DETAIL (J11)
NOT TO SCALE



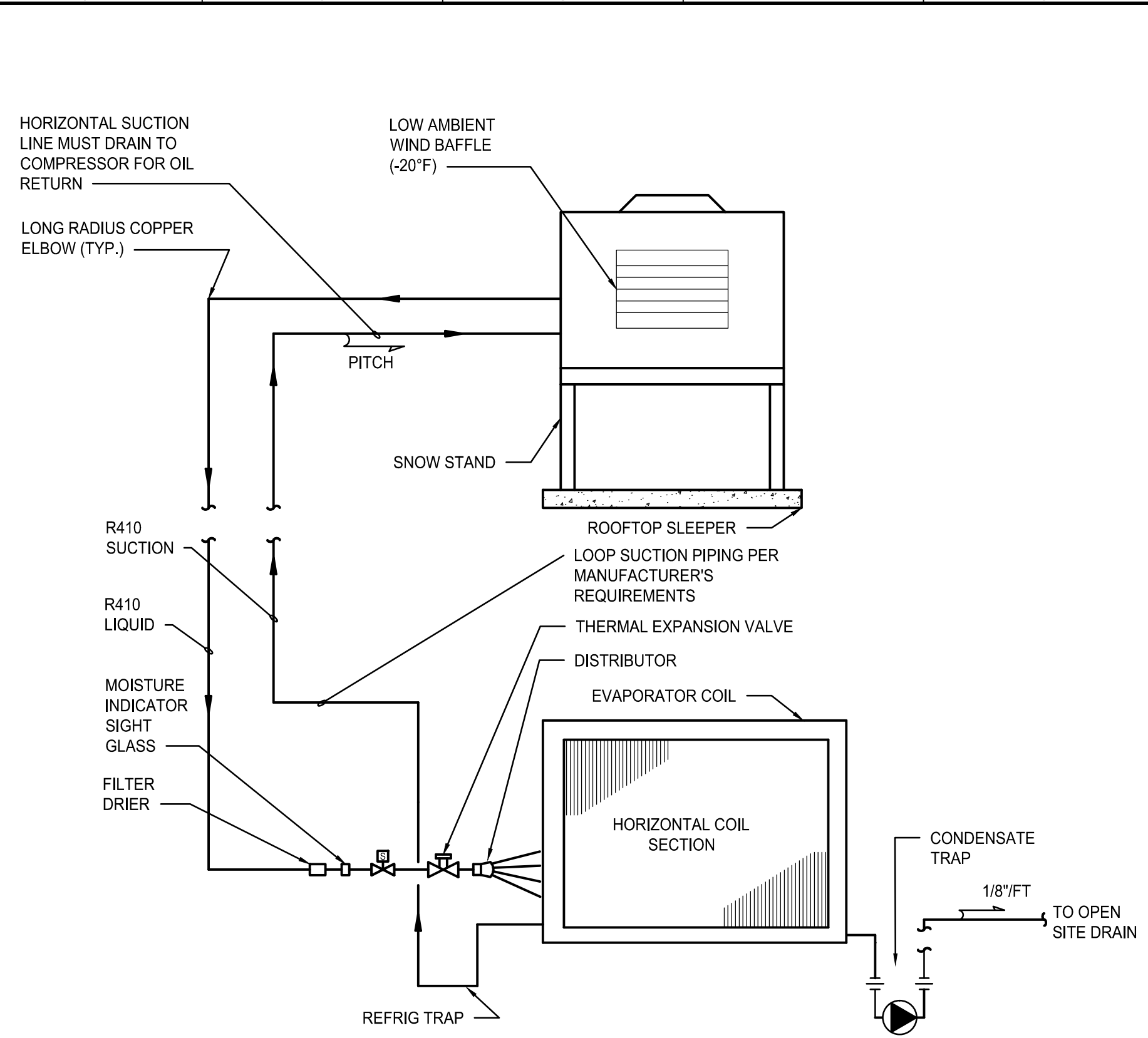
- NOTES:**
1. OFFSETS W/ FLEX DUCT SHALL NOT EXCEED 30° & SHALL BE GRADUAL. OFFSETS IN EXCESS OF 30° SHALL BE HARD DUCTED.
 2. FLEX DUCT SHALL NOT HAVE MORE THAN 1/3" SAG/FT.
 3. FOR PLENUM LENGTH REFER TO PLANS.

TYPICAL LINEAR DIFFUSER DETAIL (E11)
NOT TO SCALE

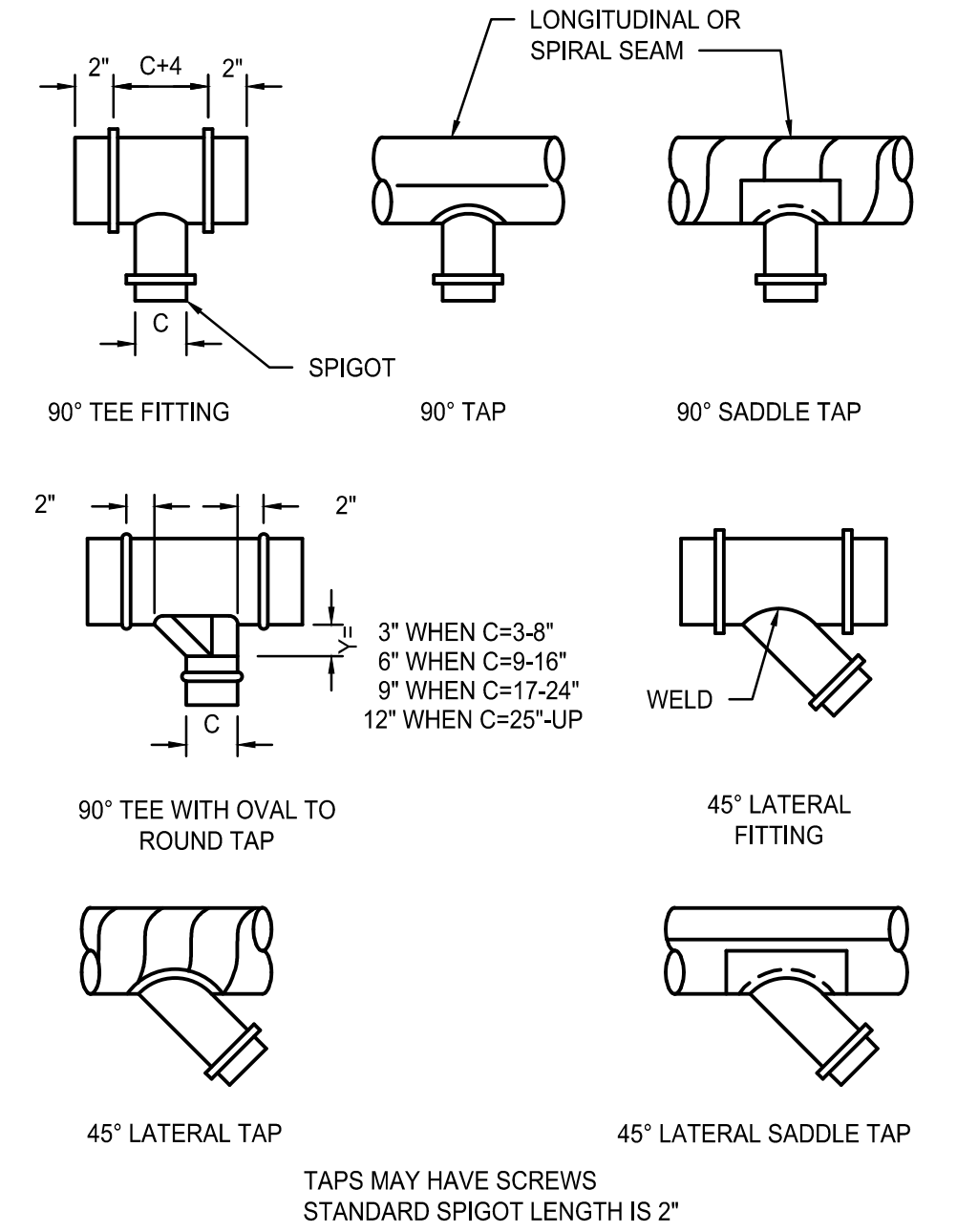


DUCT SIZE	SCHEDULES VAV BOX CFM
6"Ø	0-125
8"Ø	126-250
10"Ø	251-425
12"Ø	426-700
14"Ø	701-1000
16"Ø	1001-1450

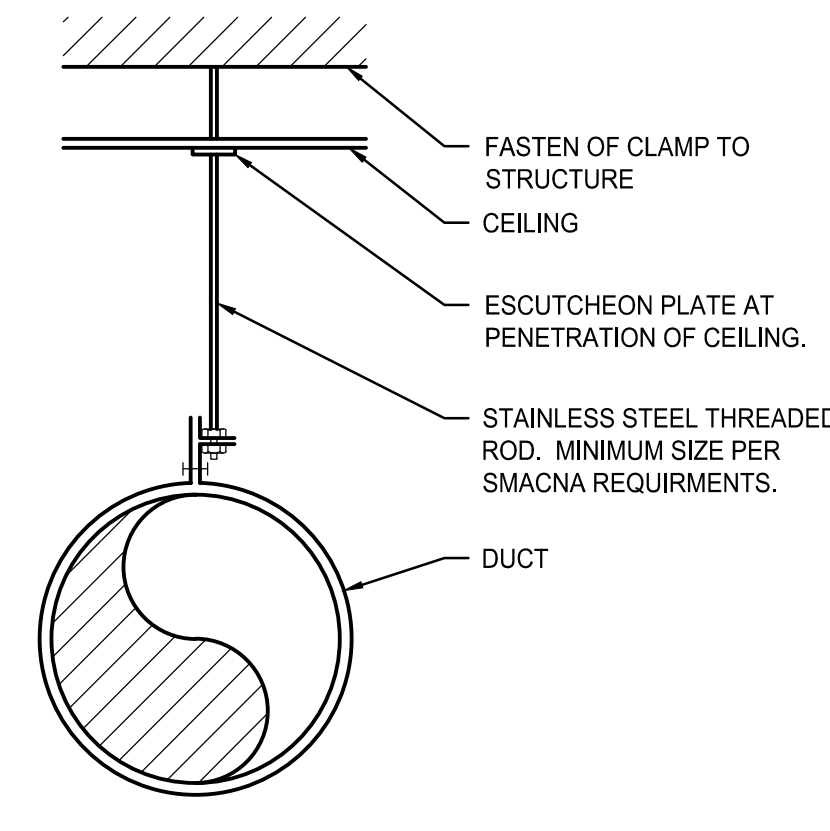
VAV BOX SCHEMATIC (A11)
NOT TO SCALE



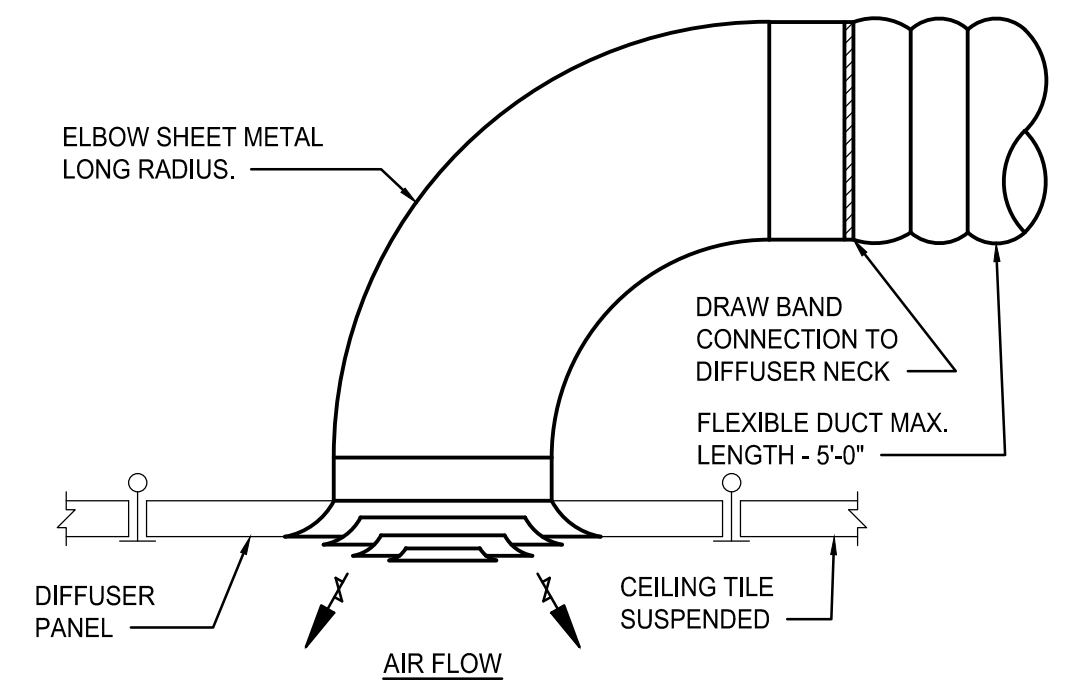
SPLIT SYSTEM PIPING SCHEMATIC (G6)
NOT TO SCALE



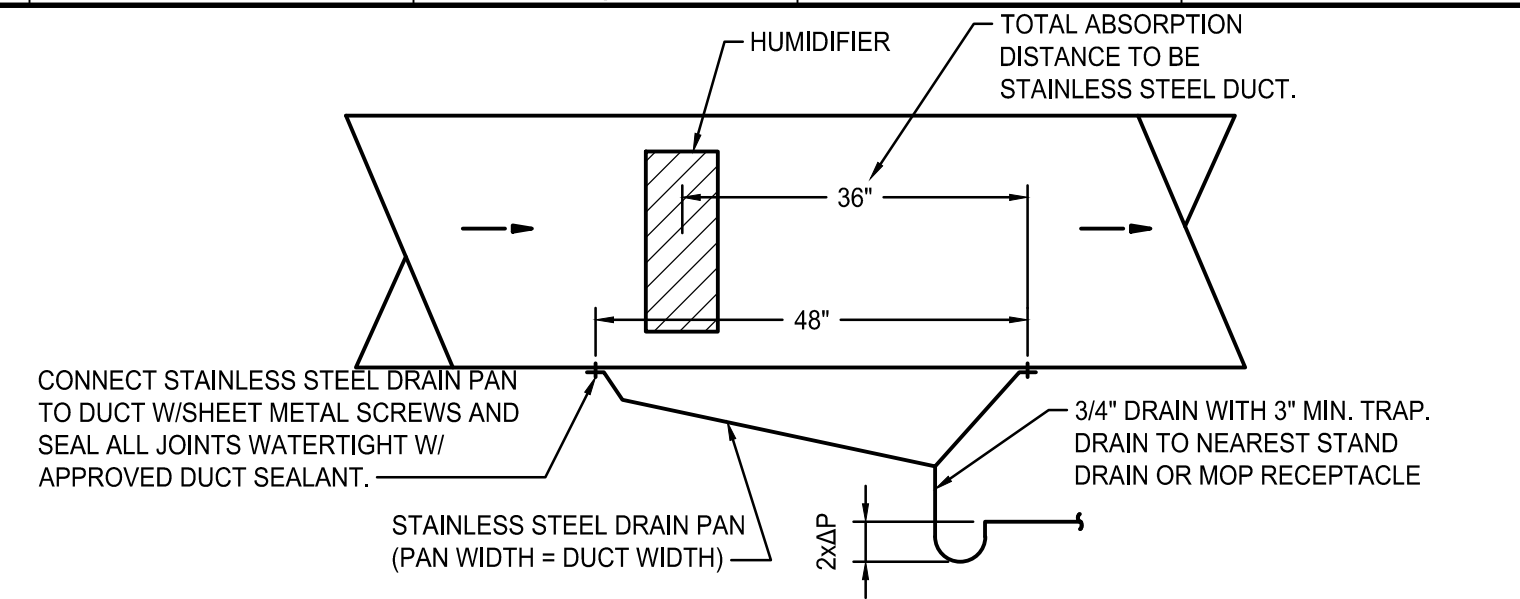
TEES AND LATERALS DETAIL (D8)
NOT TO SCALE



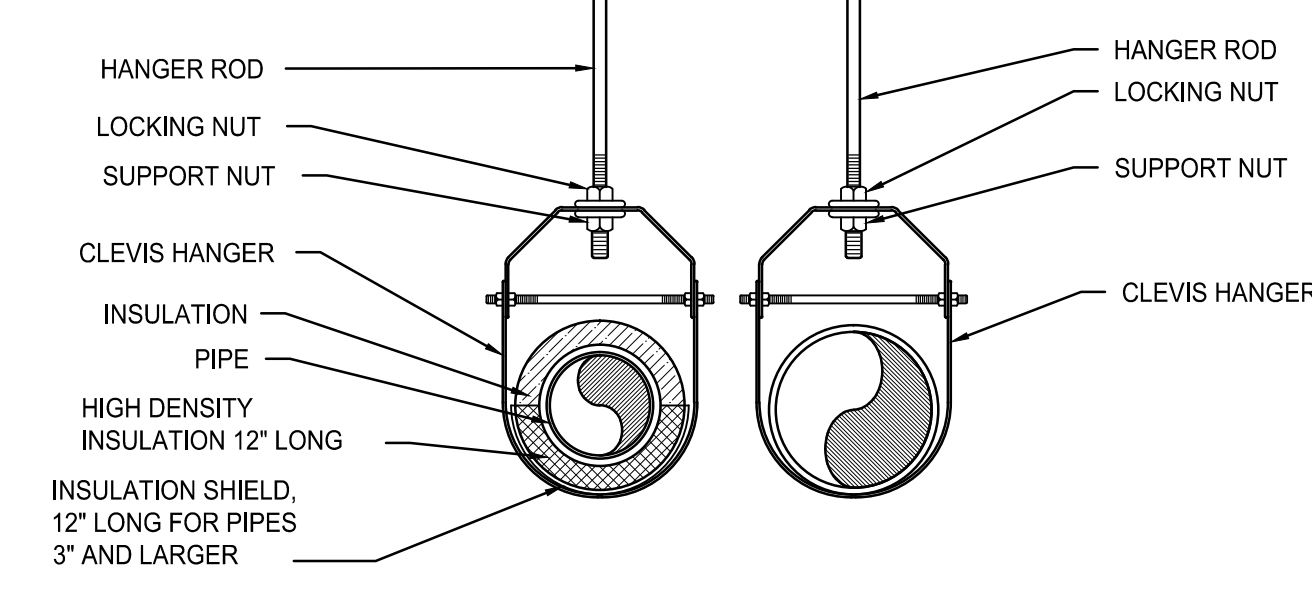
DUCT HANGER DETAIL (A8)
NOT TO SCALE



DIFFUSER CONNECTION DETAIL (A5)
NOT TO SCALE

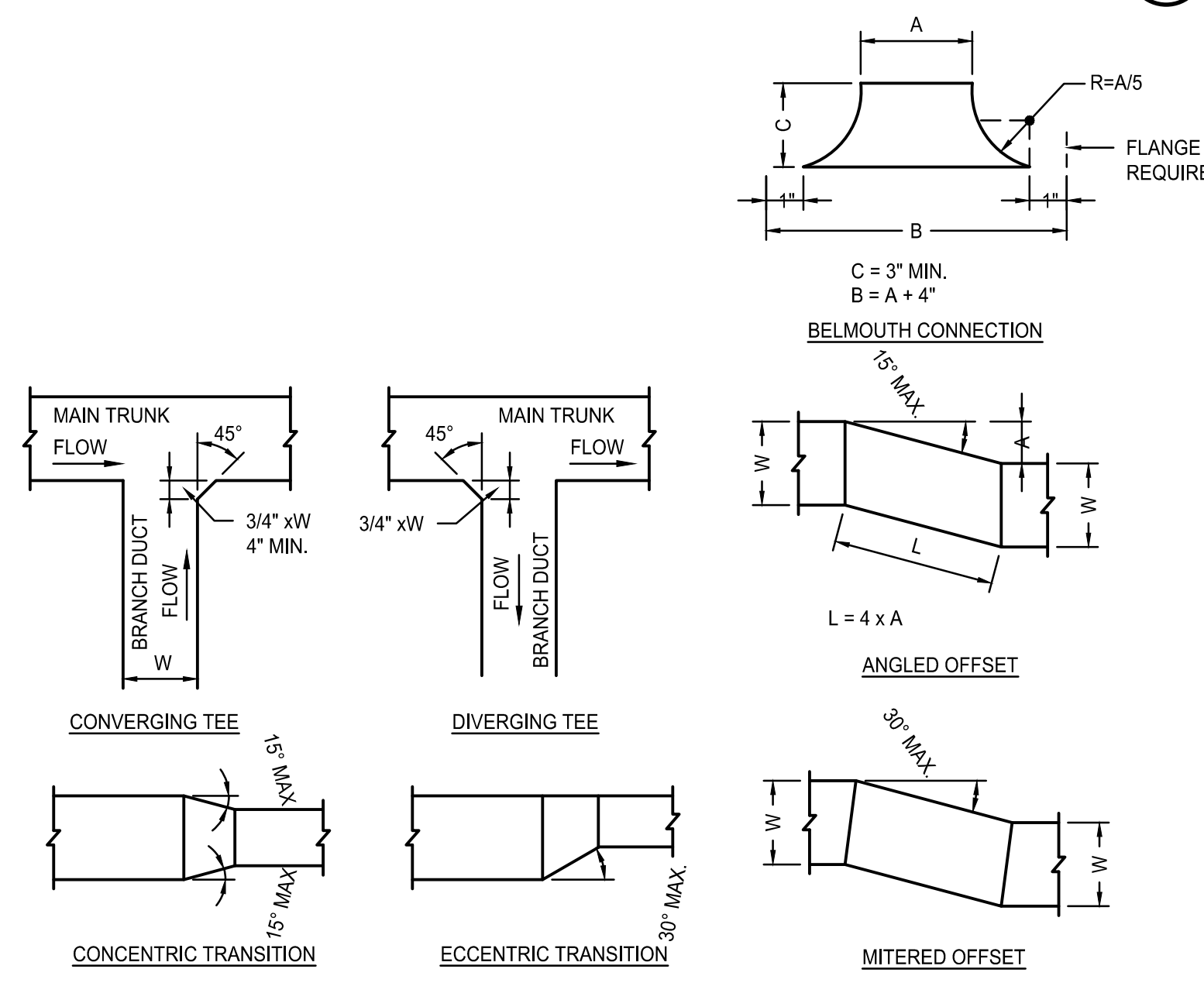


DRAIN PAN DETAIL (K1)
NOT TO SCALE

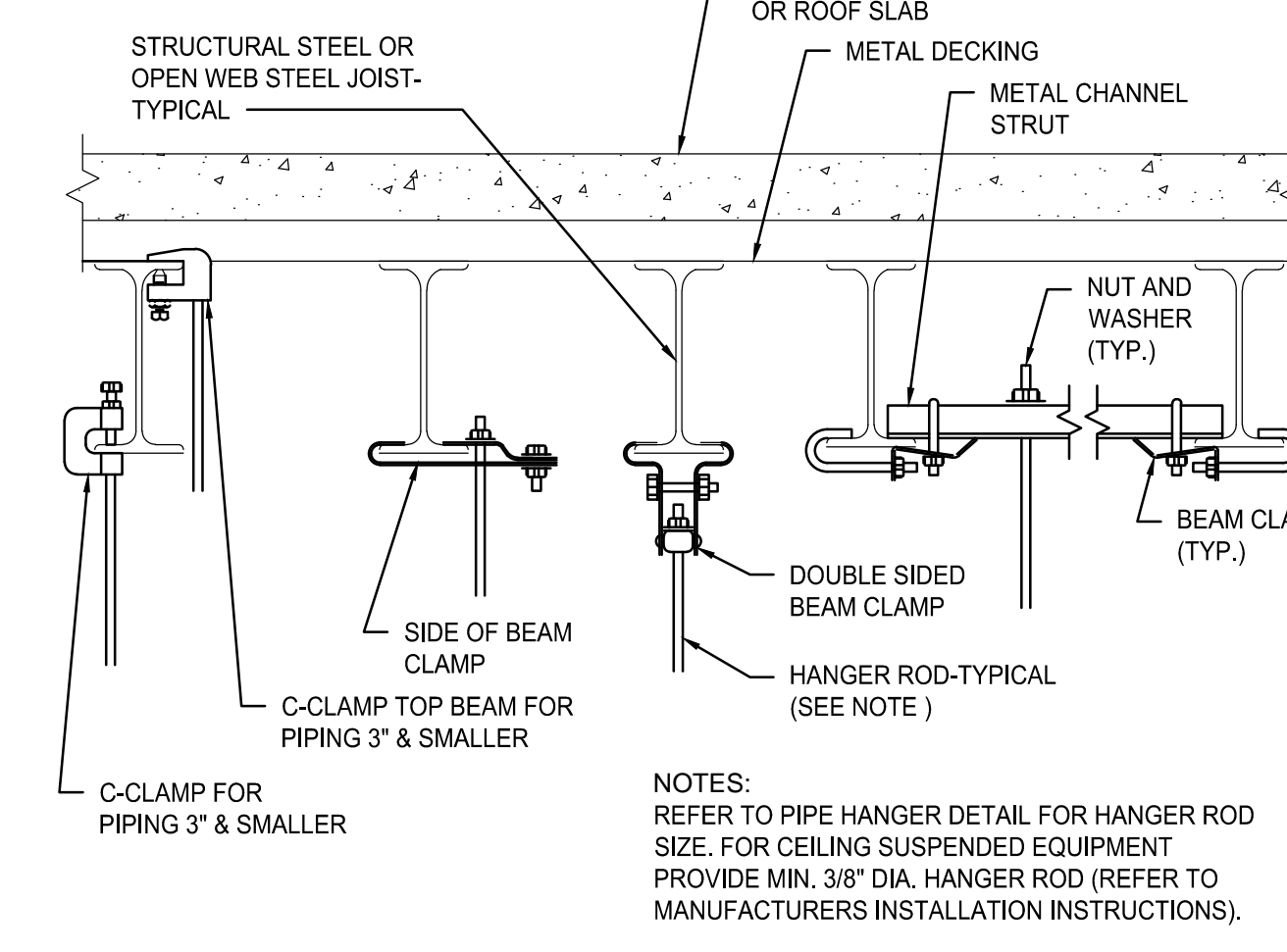


HANGER ROD SCHEDULE		HANGER ROD SPACING	
PIPE SIZE	ROD SIZE	PIPE SIZE	MAX. ALLOWABLE SPACING
UP TO 2"	3/8" DIA.	1"	7'
2 1/2" THRU 3"	1/2" DIA.	1 1/4"	8'
4" AND 5"	5/8"	1 1/2"	9'
6" THRU 8"	3/4"	2"	10'
12"	7/8"	2 1/2"	11'
		3" THRU 8"	12'
		10" & 12"	15'

PIPE HANGERS DETAIL (G1)
NOT TO SCALE



DUCT TRANSITION DETAILS (D1)
NOT TO SCALE

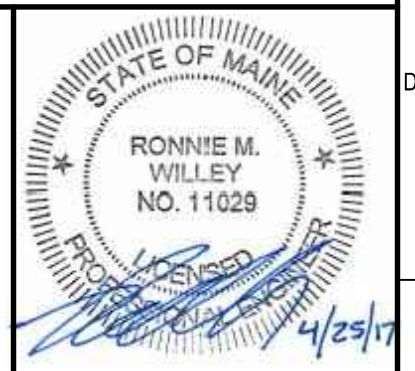


METHODS OF SECURING HANGER RODS TO STEEL (A1)
NOT TO SCALE

NOTE:
1. SEE M-001 FOR THE LEGEND AND ABBREVIATIONS.

REV	DESCRIPTION	DATE
0	ISSUED FOR CONSTRUCTION	4-25-17

ISSUED FOR CONSTRUCTION
4-25-17
CURRENT ISSUE STATUS:



SMRT Architects and Engineers
144 Fore Street
Portland, Maine 04104
1.877.700.7678
www.smrta.com

**MAINE MEDICAL PARTNERS
SURGICAL CARE RENOVATIONS**

PORTLAND, MAINE

**MECHANICAL
DETAILS**

SHEET TITLE:

SCALE: AS NOTED

PROJECT MANAGER: DJV	PROJECT NO: 17027
A/E OF RECORD: RMW	
JOB CAPTAIN: CAH	
DRAWN BY: CWF	
SMRT FILE: M-501-17027	SHEET NO. M-501