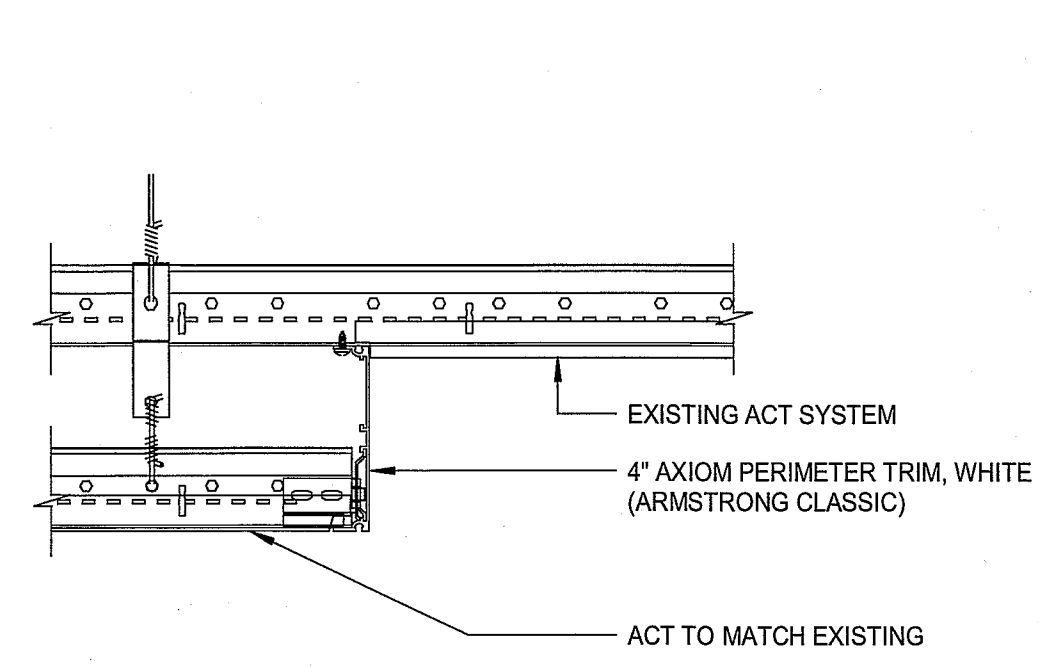
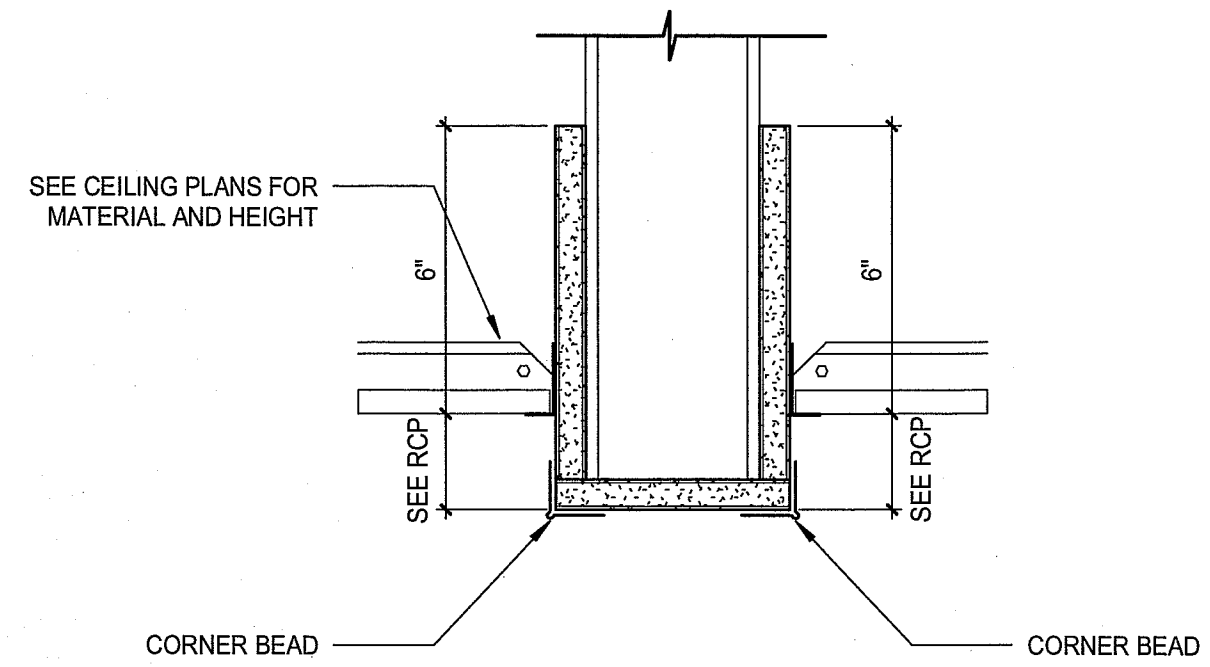


PLAN NOTES:

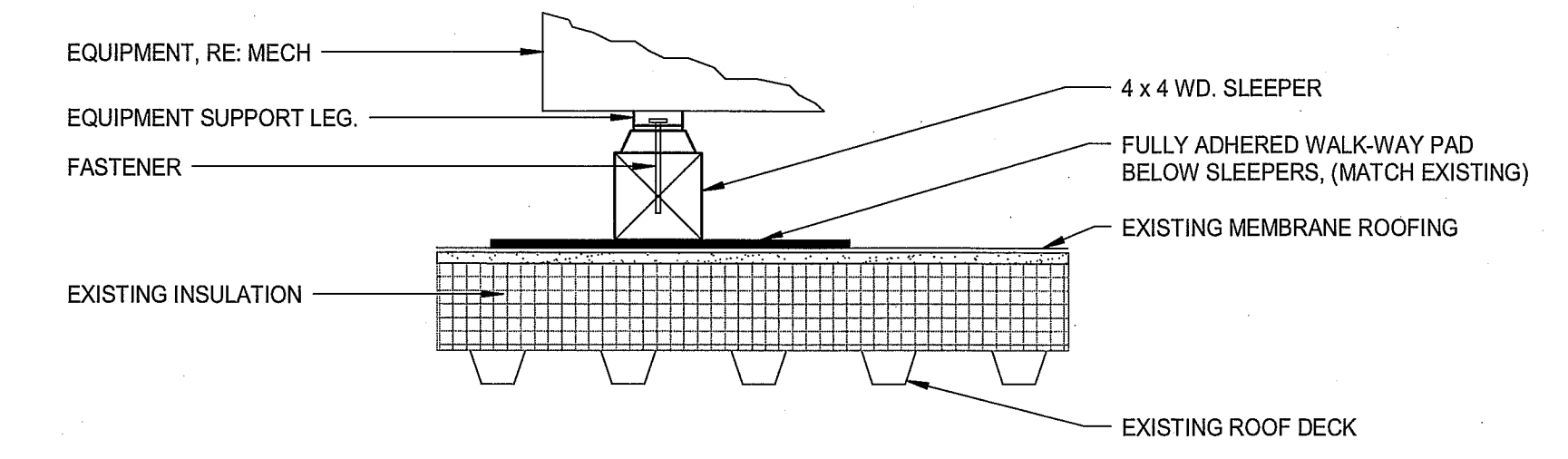
1. SEE GI001 FOR GENERAL PROJECT NOTES, LEGENDS AND ABBREVIATIONS.



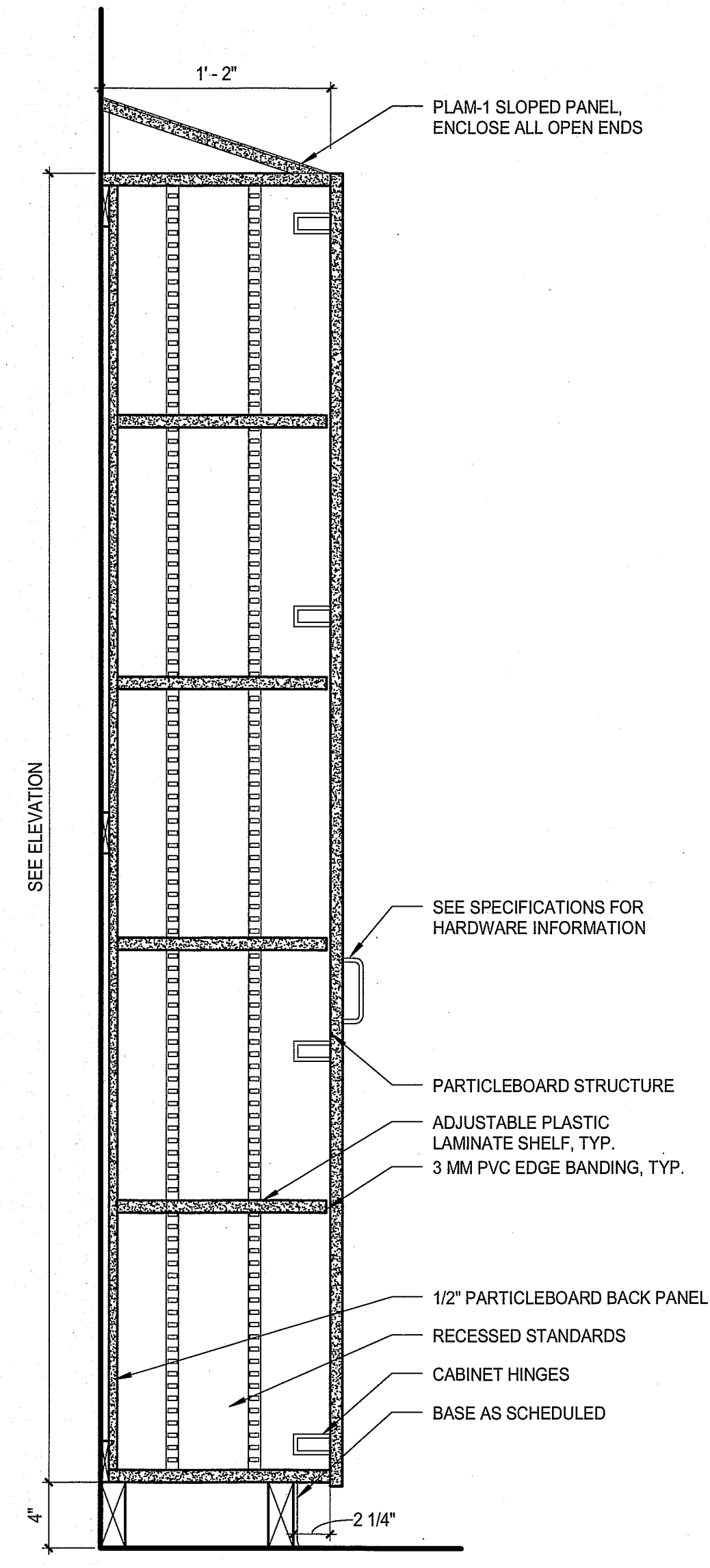
AXIOM TRIM J10
3" = 1'-0"



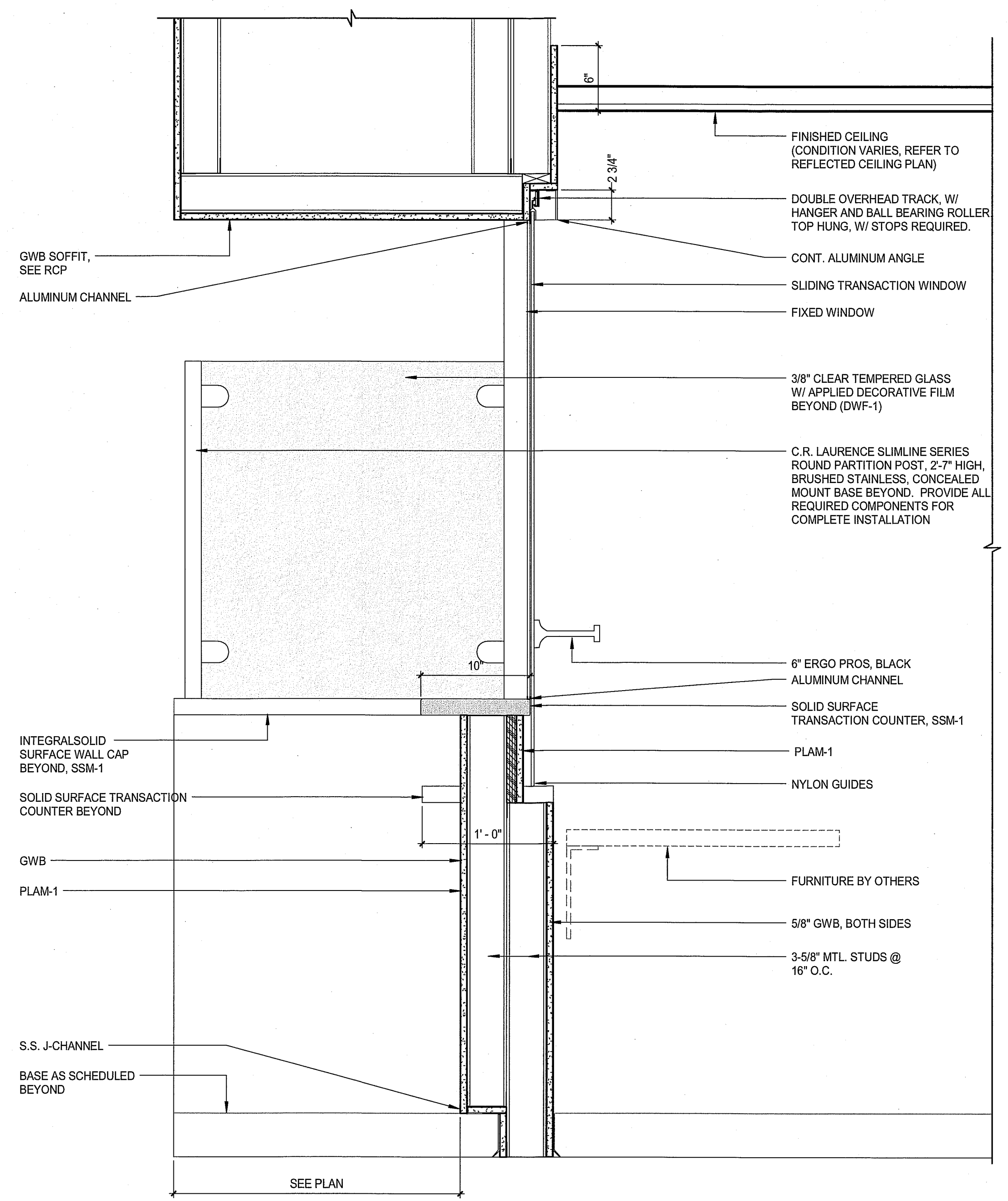
SOFFIT DETAIL J6
3" = 1'-0"



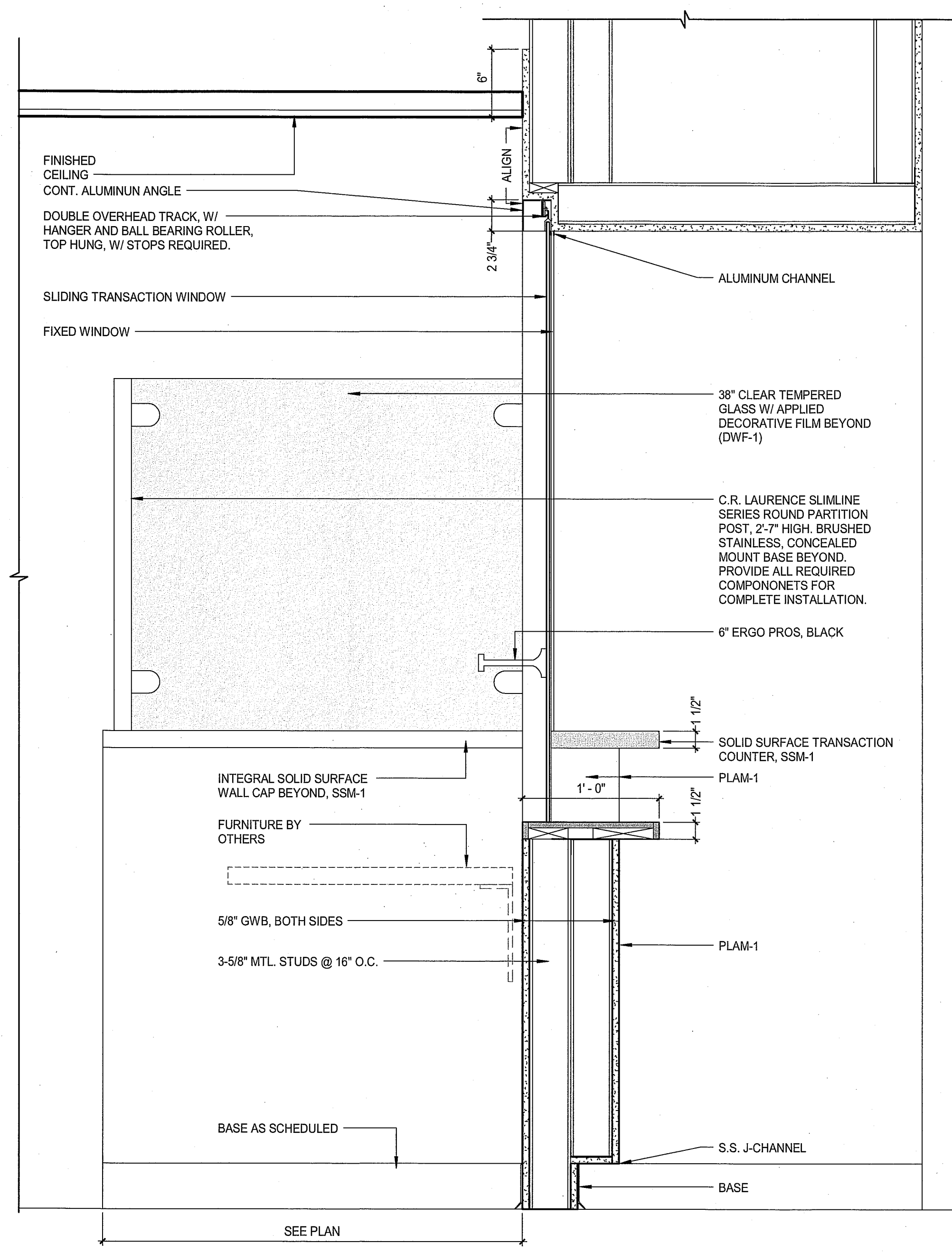
SLEEPER DETAIL J1
1 1/2" = 1'-0"



CASEWORK DETAIL A12
1 1/2" = 1'-0"



SECTION - CHECK-OUT HIGH SOFFIT A7
1 1/2" = 1'-0"



SECTION - CHECK-OUT STAFF GLASS A1
1 1/2" = 1'-0"

REV	DESCRIPTION	DATE
0	ISSUED FOR CONSTRUCTION	4-25-17

ISSUED FOR CONSTRUCTION
4-25-17

CURRENT ISSUE STATUS:

9-25-17

SMRT Architects and Engineers
144 Fore Street/P.O. Box 618
Portland, Maine 04104

ARCHITECTURE | ENGINEERING | PLANNING | INTERIORS | ENERGY **SMRT**
MAINE MEDICAL PARTNERS
SURGICAL CARE RENOVATIONS

PORTLAND, MAINE
DETAILS

SHEET TITLE:
SCALE: AS NOTED
PROJECT MANAGER: DJV PROJECT NO: 17027
A/E OF RECORD: DJV
JOB CAPTAIN: CAH
DRAWN BY: CAH/JCH
SMRT FILE: AE501-17027 SHEET No. **AE501**