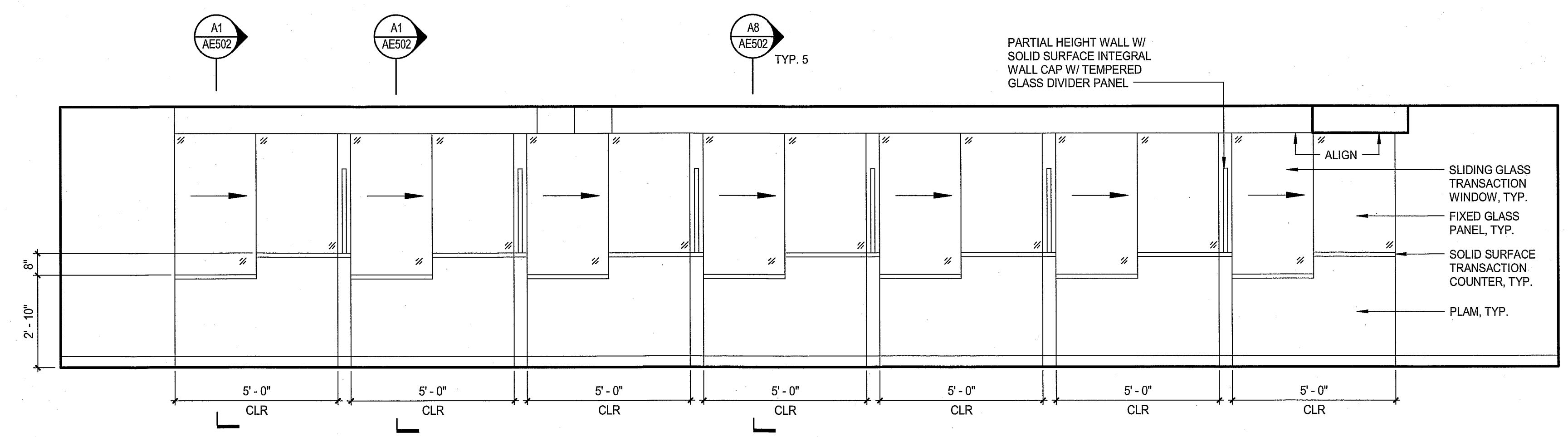
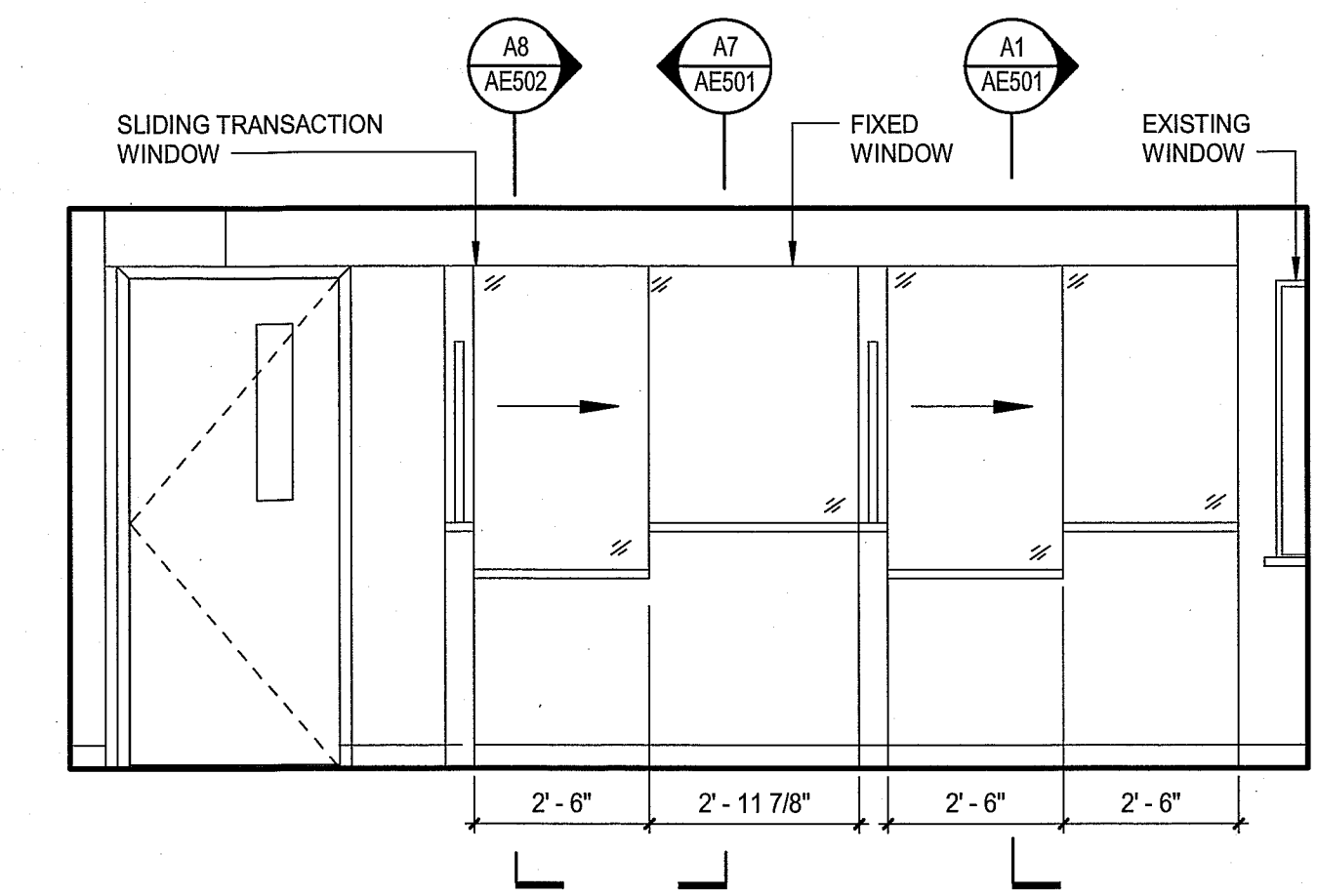


PLAN NOTES:

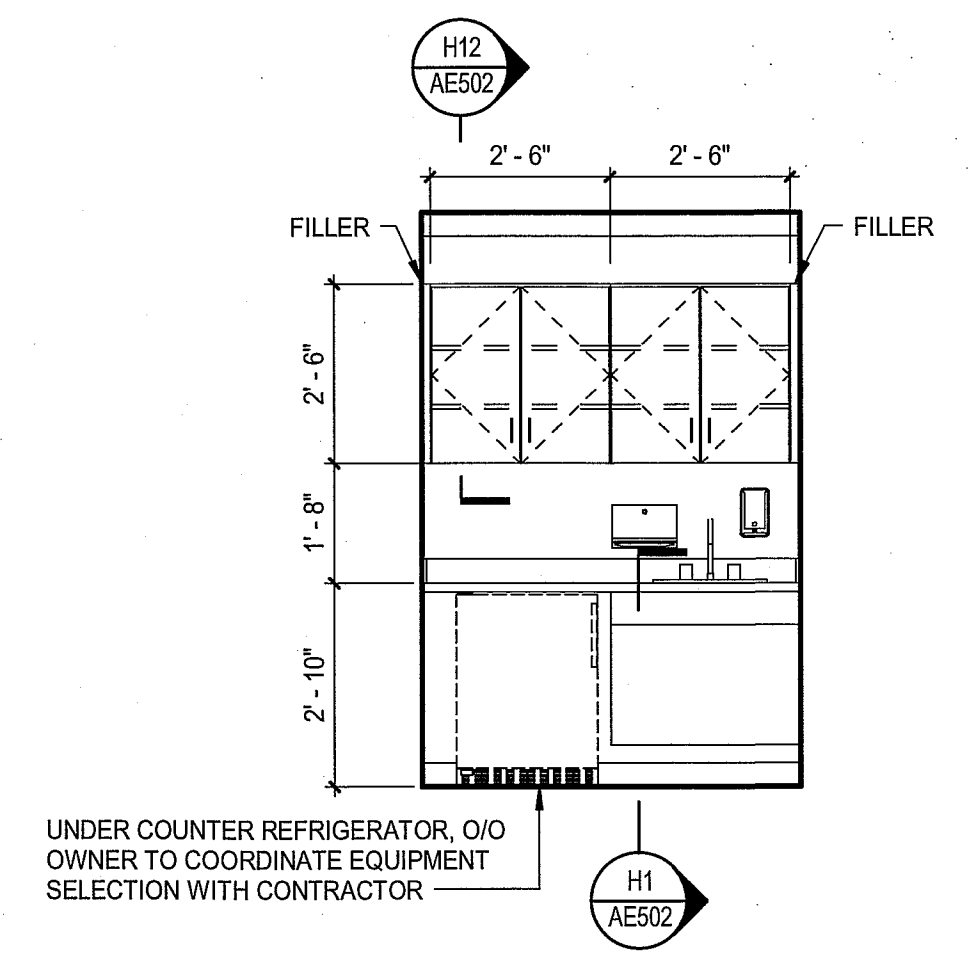
1. SEE G1001 FOR GENERAL PROJECT NOTES, LEGENDS AND ABBREVIATIONS.



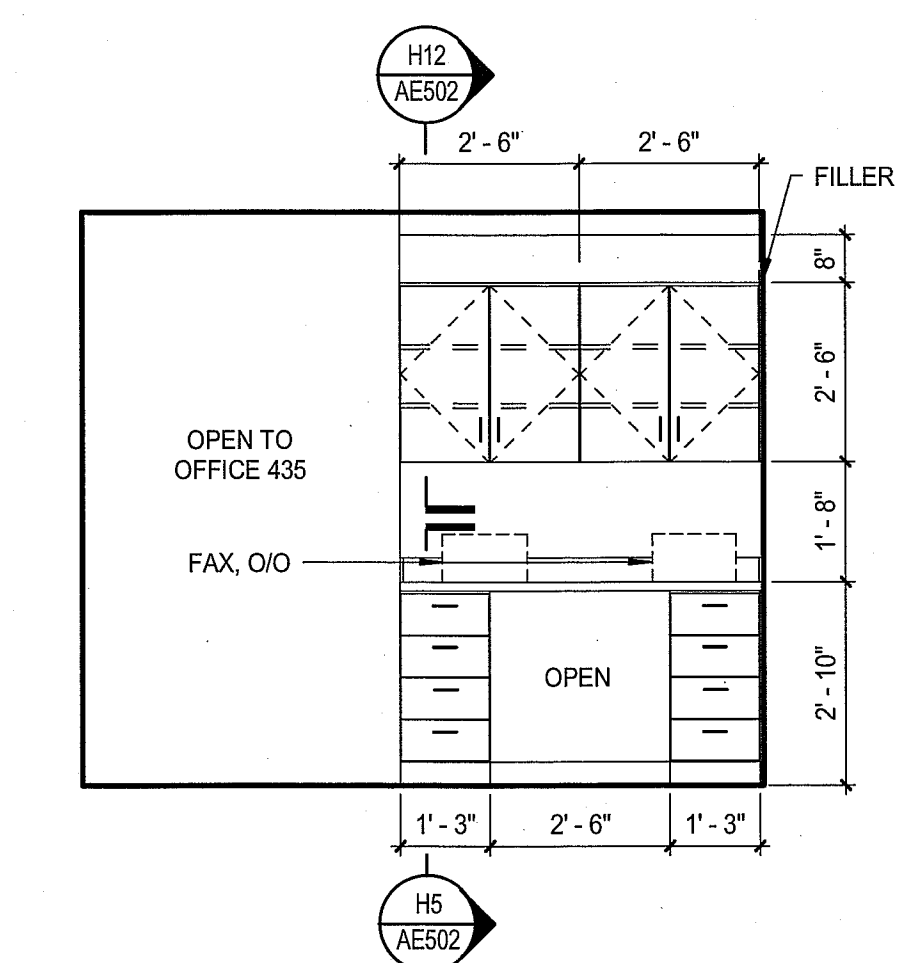
CHECK-OUT G1
3/8" = 1'-0"



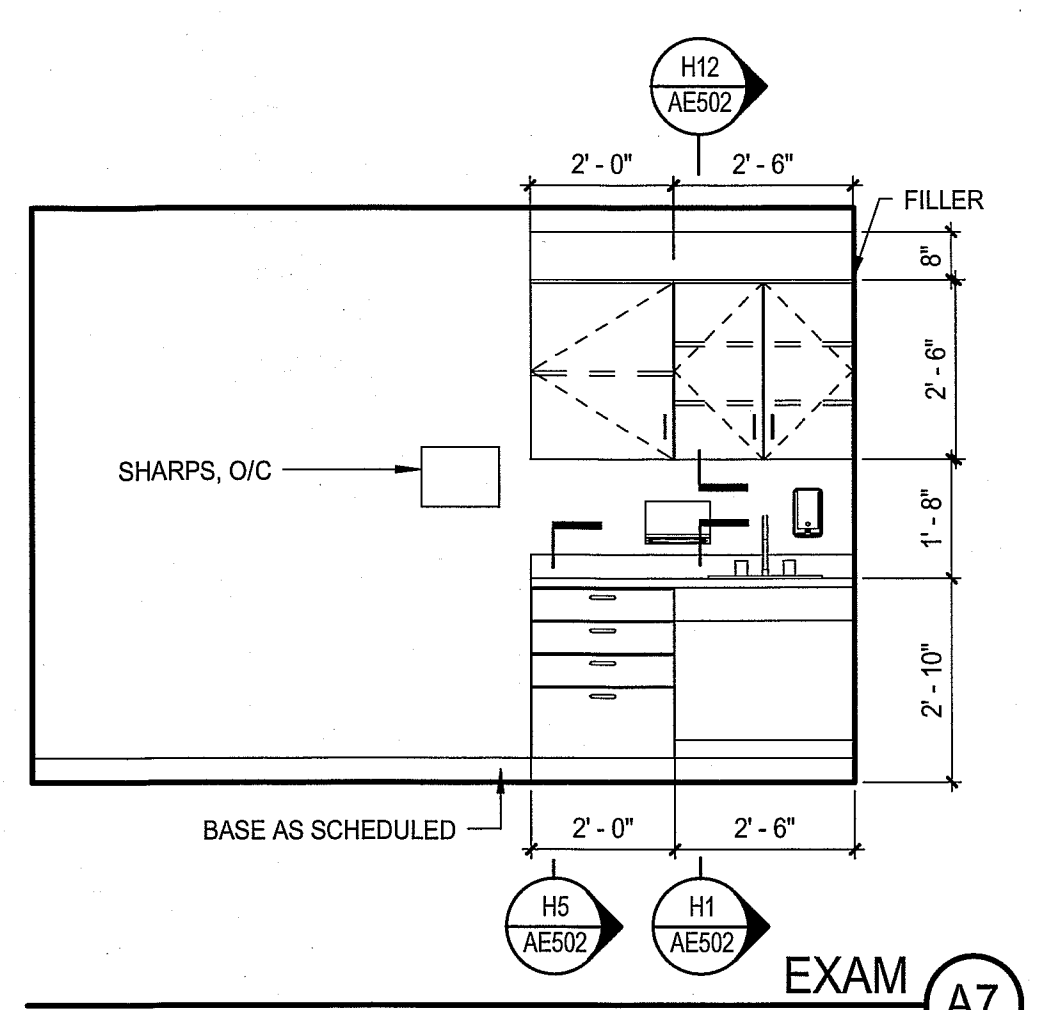
CHECK-OUT AND CHECK-IN D7
3/8" = 1'-0"



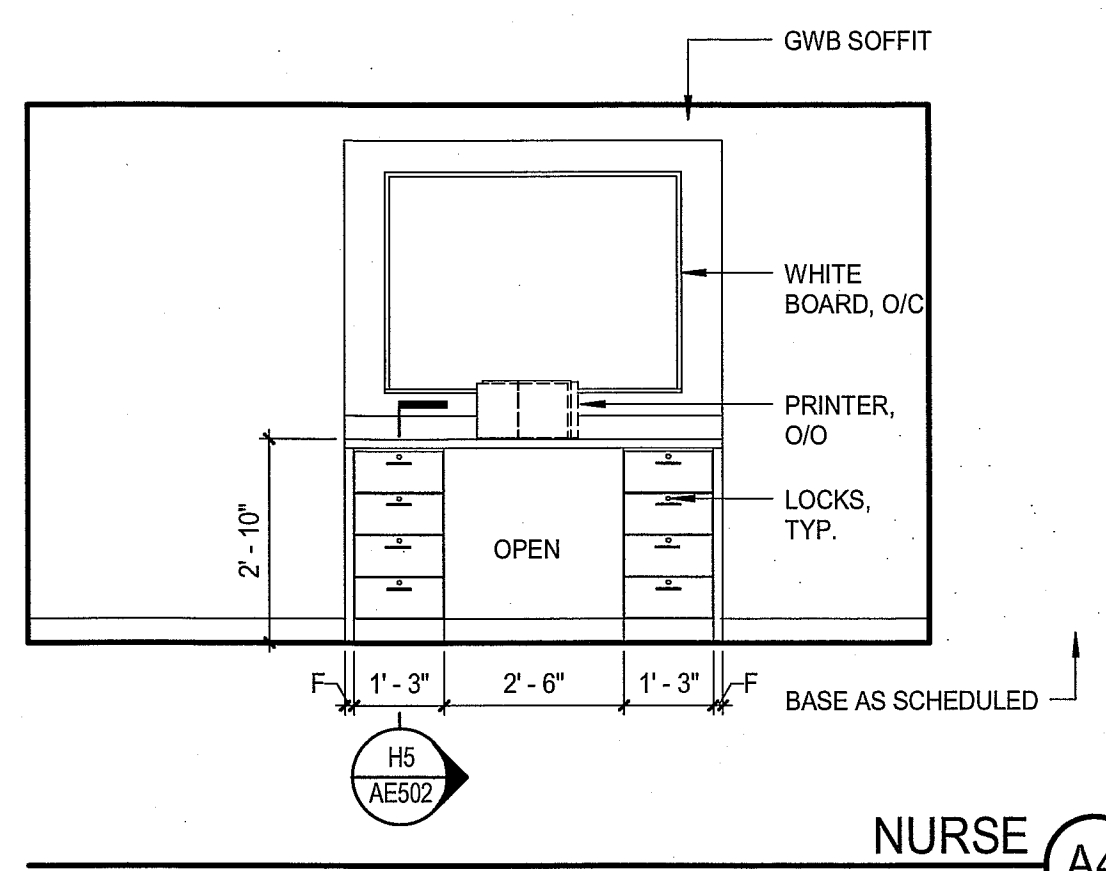
MED ROOM D4
3/8" = 1'-0"



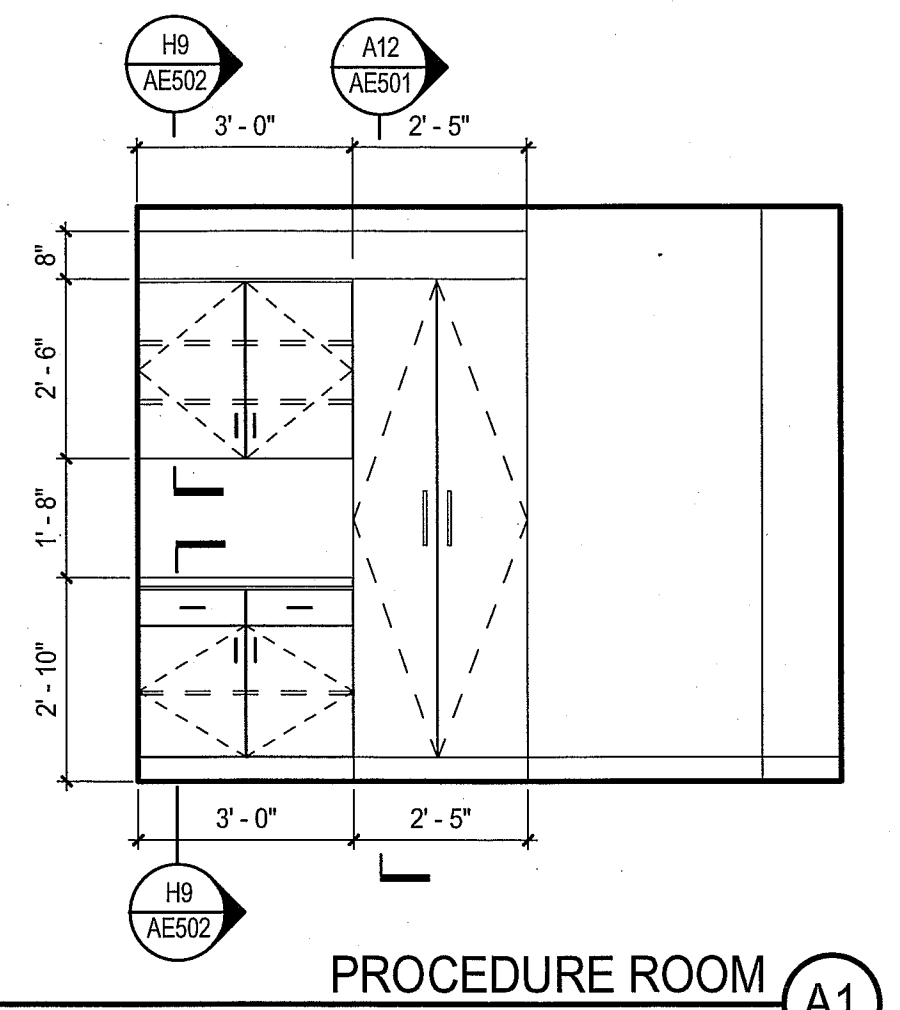
WORK AREA D1
3/8" = 1'-0"



EXAM A7
3/8" = 1'-0"



NURSE A4
3/8" = 1'-0"

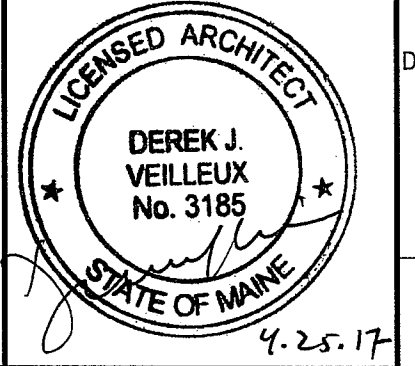


PROCEDURE ROOM A1
3/8" = 1'-0"

REV	DESCRIPTION	DATE
0	ISSUED FOR CONSTRUCTION	4-25-17

ISSUED FOR CONSTRUCTION
4-25-17

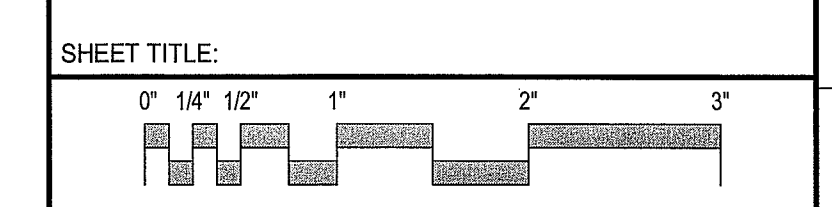
CURRENT ISSUE STATUS:



SMRT Architects and Engineers
144 Fore Street/P.O. Box 618
Portland, Maine 04104

ARCHITECTURE | ENGINEERING | PLANNING | INTERIORS | ENERGY **SMRT**
MAINE MEDICAL PARTNERS
SURGICAL CARE RENOVATIONS

PORTLAND, MAINE
INTERIOR ELEVATIONS



SHEET TITLE:	SCALE: AS NOTED
PROJECT MANAGER: DJV	PROJECT NO: 17027
A/E OF RECORD: DJV	
JOB CAPTAIN: CAH	
DRAWN BY: CAH/JCH	
SMRT FILE: AE201-17027	SHEET No. AE201