

- DOUBLE FACE, INTERNALLY ILLUMINATED, FABRICATED ALUMINUM CABINET WITH BRAKE FORMED ALUMINUM FILLERS ON EACH END; PAINT FILLERS TO MATCH POLES, 1/8" THICK ALUMINUM FACES (SEE SECTION DETAIL)
- (2) ALUMINUM ROUND TUBES WITH REMOVABLE, FABRICATED ALUMINUM, TOP PIECES; PAINT TOP PIECES MAP COOL METALLIC #MP18091; PAINT POLES MAP COOL METALLIC #MP18128 EXCEPT FOR TOP ACCENTS TO BE PAINTED MAP COOL METALLIC #MP18091
- "887" - TRANSLUCENT WHITE ACRYLIC, PUSH THROUGH FLUSH; PAINT BACKGROUND MAP BLUE METALLIC #MP22005
- "CONGRESS STREET MEDICAL BUILDING" - TRANSLUCENT WHITE ACRYLIC, PUSH THROUGH FLUSH; PAINT BACKGROUND MAP BLUE METALLIC #MP22006
- "PARKING" WITH HANDICAP SYMBOL - TRANSLUCENT WHITE ACRYLIC, PUSH THROUGH FLUSH; PAINT BACKGROUND MAP BLUE METALLIC #MP22021
- PARKING SYMBOL - TRANSLUCENT WHITE ACRYLIC, PUSH THROUGH FLUSH WITH FIRST SURFACE VINYL GRAPHICS: GSP TRANS DARK RED (230-73) AND GSP TRANS INTENSE BLUE (230-127)
- DIRECTIONAL ARROW - TRANSLUCENT WHITE ACRYLIC, PUSH THROUGH FLUSH WITH FIRST SURFACE GSP TRANS DARK BLUE (230-36) VINYL AND KNOCKED OUT TRANS WHITE ARROW
- BOTTOM GRID (2) LAYERS OF 1/4" THICK ALUMINUM BACK TO BACK; PAINT MAP COOL METALLIC #MP18249; GRID TO MATCH PEDESTRIAN BRIDGE DETAIL
- 1'-0" X 7'-0" X 5'-0" DEEP CONCRETE BASE

SIGN		TYPE	
MATL:		DEPTH:	
RET:			
THK:		MATL:	
COLOR:			
COPY:			
FACE		DEEP	
MATL:		HT:	
INTERIOR EXTERIOR		FACE-LIT BACK-LIT	
RETURNS:		BACKS:	
TUBING COLOR:		ROWS:	
TRANSF:		WIRING: R/W 1/2 BX 3/8 LIQ	
HOUSINGS:		AMTG:	
PRIMARY VOLTS:		NO. OF CIRCUITS:	
LAMPS:	QTY:		
LAMPS:	QTY:		
BALLAST:	QTY:		
LOAD:	UL: YES NO		
MATL:	SIZE:		
QTY:	C-C:		
PL MATL:	PL SIZE:	PL THK:	
BASE TYPE:	SET IN CONC ANCHOR BOLTS		
BOLT SIZE:	SPACING:		
STORE FOR NEOKRAFT STORE FOR CUSTOMER			

Maine Medical Center 01896

RED FILE ONLY

Location: 887 Congress St.
Portland, ME

Drawing No.: 1 of 1

Drawn by: PFAT

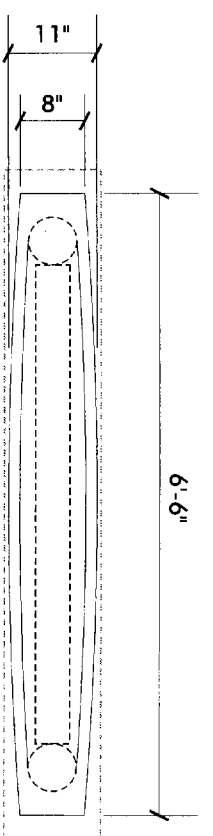
Date: 04.16.2004

Gen Ref.:



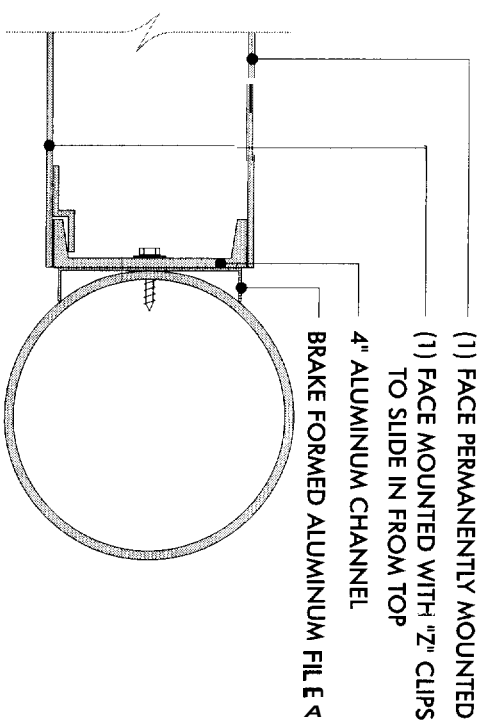
Neokraft Signs Inc.
686 Main Street
Leviston, Maine 04240

http://www.neokraft.com
T:207.782.9654 F:782.0009
1.800.339.2258



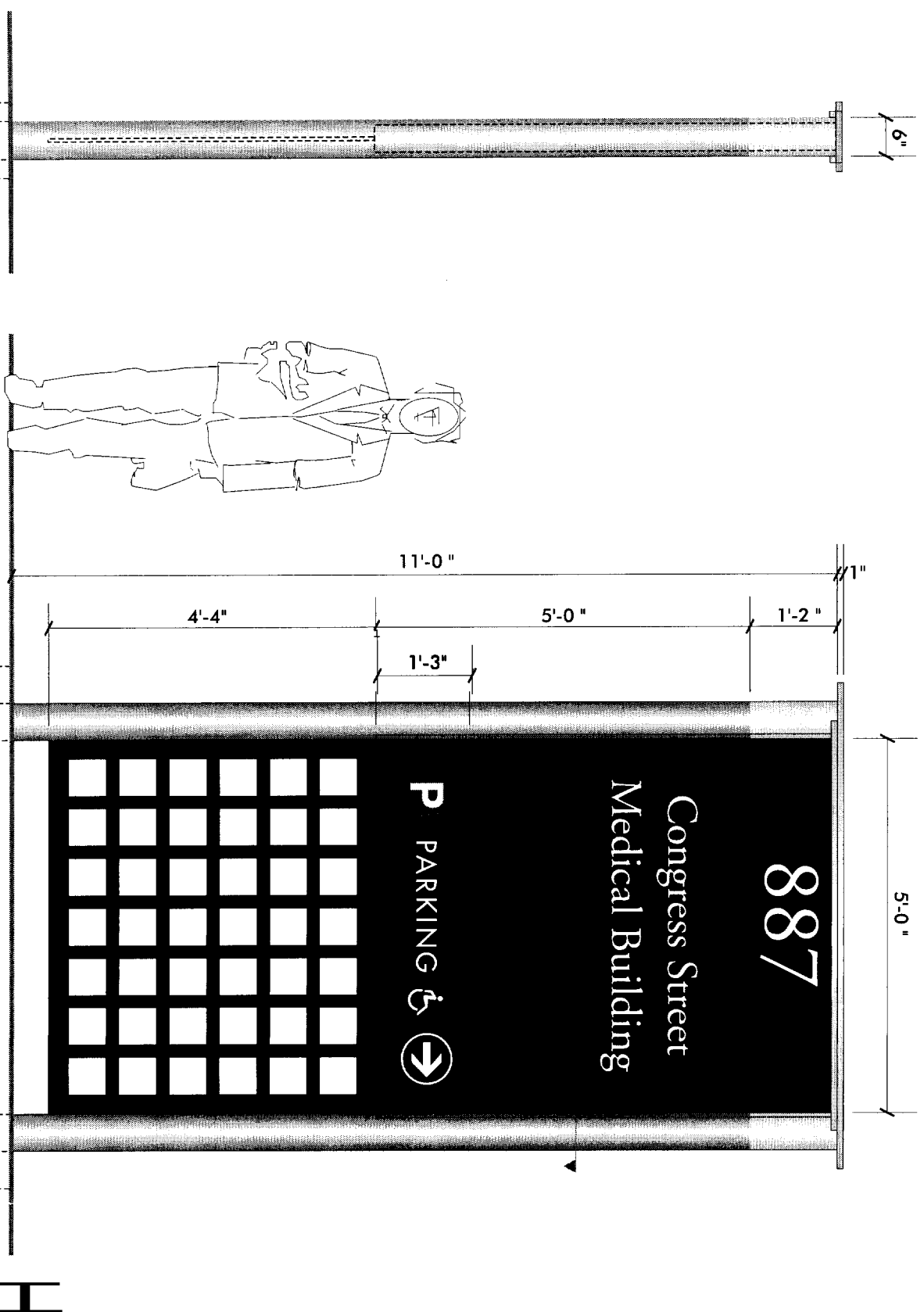
TOP VIEW

SCALE: 1/2" = 1'-0"



SECT ON DETAIL

SCALE: 3" = 1'-0"



END VIEW

SCALE: 1/8" = 1'-0"

G:\Drafting\0155(MA)M&P\Maine Med. Ctr.\DIP Lighted pylon\20040406.cdr
Thursday, June 03, 2004 2:49:59 PM

DOUBLE FACE INTERNALLY ILLUMINATED PYLON
SCALE: 1/2" = 1'-0"
(1) REQUIRED

- (1) FACE PERMANENTLY MOUNTED TO SLIDE IN FROM TOP
- 4" ALUMINUM CHANNEL
- BRAKE FORMED ALUMINUM FILLER
- DOUBLE FACE, INTERNALLY ILLUMINATED, FABRICATED ALUMINUM CABINET WITH BRAKE FORMED ALUMINUM FILERS ON EACH END; PAINT FILERS TO MATCH POLES; 1/8" THICK ALUMINUM FACES (SEE SECTION DETAIL)
- (2) ALUMINUM ROUND TUBES WITH REMOVABLE, FABRICATED ALUMINUM, TOP PIECES; PAINT TOP PIECES MAP COOL METALLIC #MP18091; PAINT POLES MAP COOL METALLIC #MP18128 EXCEPT FOR TOP ACCENTS TO BE PAINTED MAP COOL METALLIC #MP18091
- "887" - TRANSLUCENT WHITE ACRYLIC, PUSH THROUGH FLUSH; PAINT BACKGROUND MAP BLUE METALLIC #MP22005
- "CONGRESS STREET MEDICAL BUILDING" - TRANSLUCENT WHITE ACRYLIC, PUSH THROUGH FLUSH; PAINT BACKGROUND MAP BLUE METALLIC #MP22006
- "PARKING" WITH HANDICAP SYMBOL - TRANSLUCENT WHITE ACRYLIC, PUSH THROUGH FLUSH; PAINT BACKGROUND MAP BLUE METALLIC #MP22021
- PARKING SYMBOL - TRANSLUCENT WHITE ACRYLIC, PUSH THROUGH FLUSH WITH FIRST SURFACE VINYL GRAPHICS: GSP TRANS DARK RED (230-73) AND GSP TRANS INTENSE BLUE (230-127)
- DIRECTIONAL ARROW - TRANSLUCENT WHITE ACRYLIC, PUSH THROUGH FLUSH WITH FIRST SURFACE GSP TRANS DARK BLUE (230-36) VINYL AND KNOCKED OUT TRANS WHITE ARROW
- BOTTOM GRID - (2) LAYERS OF 1/4" THICK ALUMINUM BACK TO BACK, PAINT MAP COOL METALLIC #MP18249; GRID TO MATCH PEDESTRIAN BRIDGE DETAIL
- 1'-0" X 7'-0" X 5'-0" DEEP CONCRETE BASE

SIGN		FACE		PC		LETTERS		ELECTRICAL		POLES		BASE & PLATE		RMVL	
MATL:	TYPE:	THK:	MATL:	MATL:	HT:	DEEP:	INTERIOR EXTERIOR	FACE-LIT BACK-LIT	NO. OF CIRCUITS:	MATL:	SIZE:	BASE TYPE:	SET IN CONC ANCHOR BOLTS	STORE FOR NEOKRAFT STORE FOR CUSTOMER	
RELT. DEPTH:		COLOR:	COPY:	RETURN:	BACKS:	TUBING COLOR:	ROWS:	MM:	LAMPS:	QTY:	LAMPS:	QTY:	BOLT SIZE:	SPACING:	
						TRANSF:	WRING: RMW 1/4 BX 3/8 LIQ	HOUSINGS:			LOAD:	UL: YES NO			

Maine Medical Center 01896

SHOP DRAWING

Location: 887 Congress St.
Portland, ME

Drawn By: PFAT
Date: 04.16.2004
Gen Ref: .

