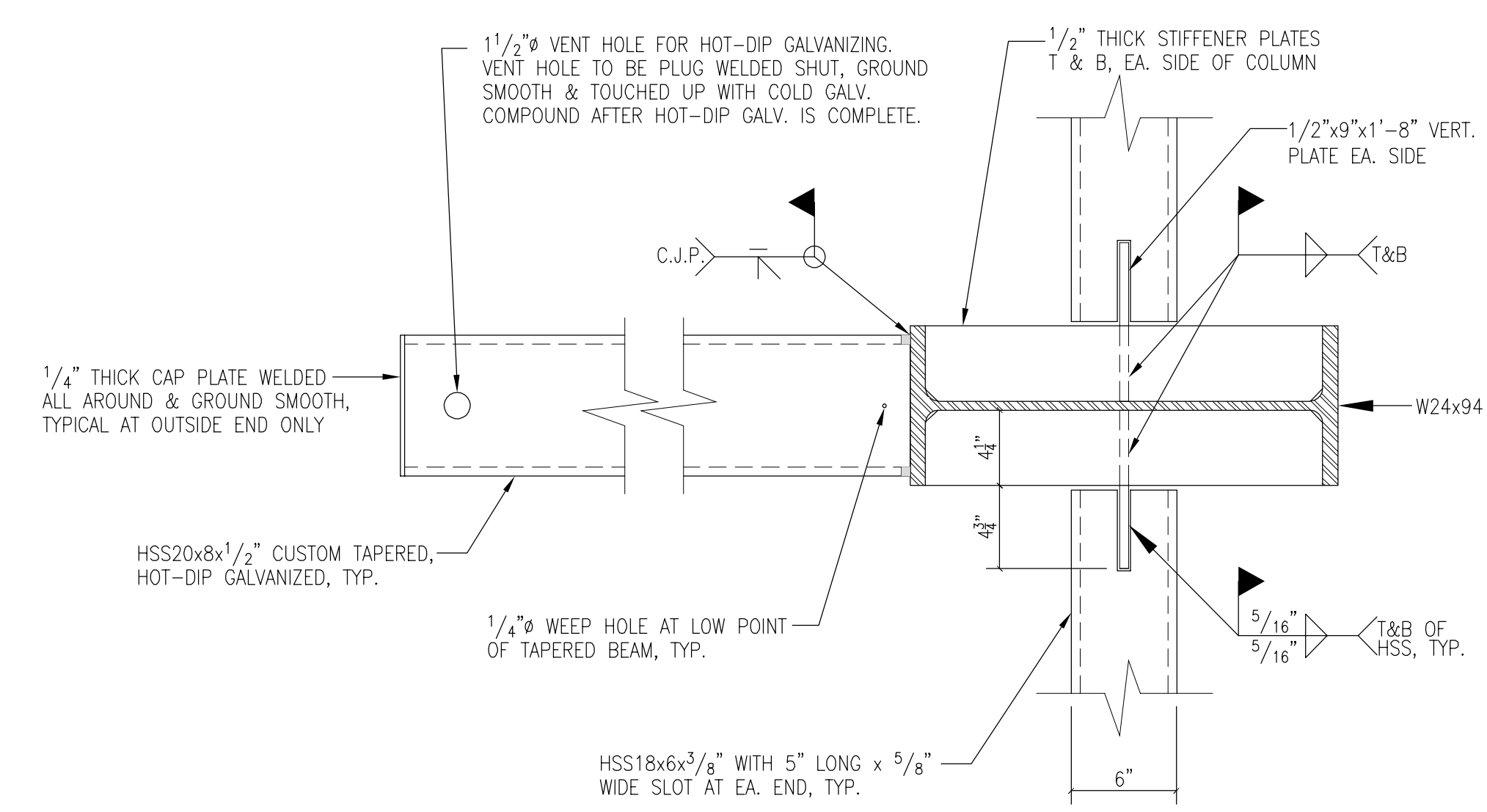
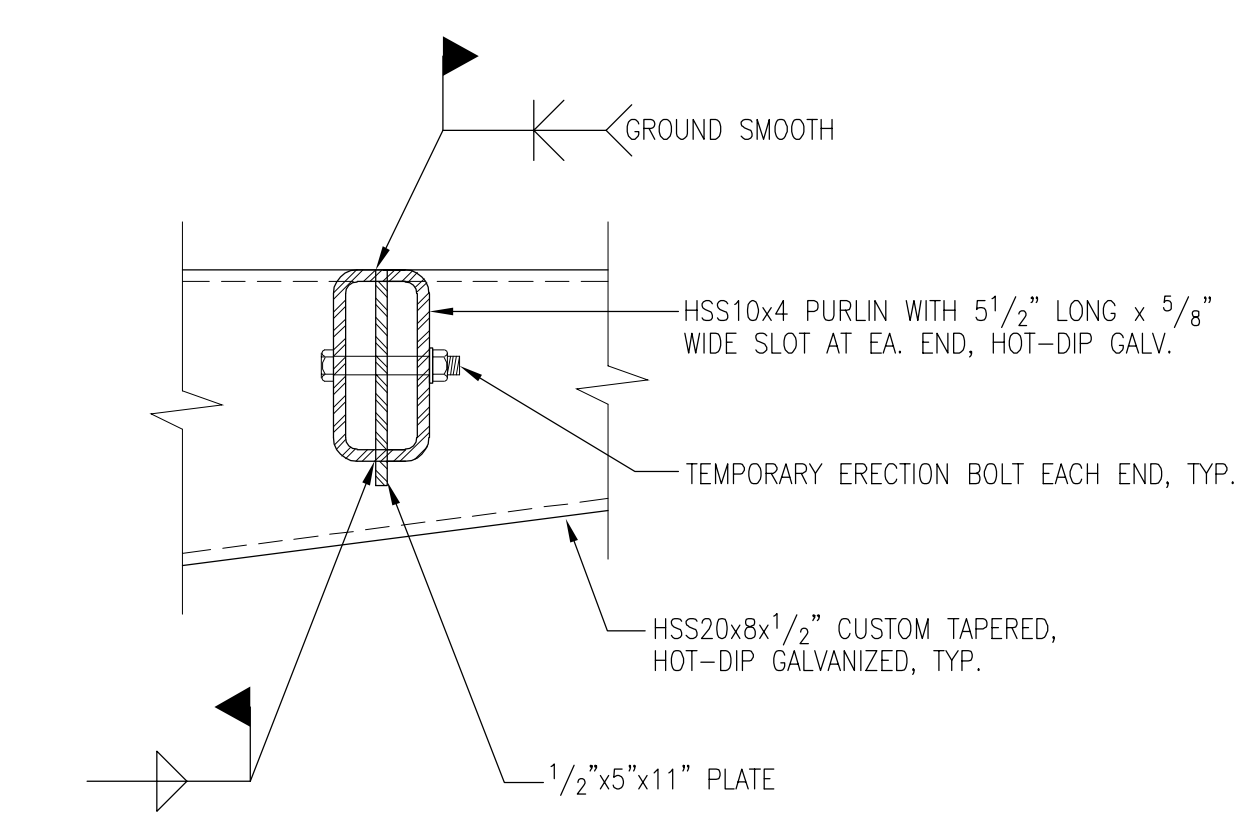


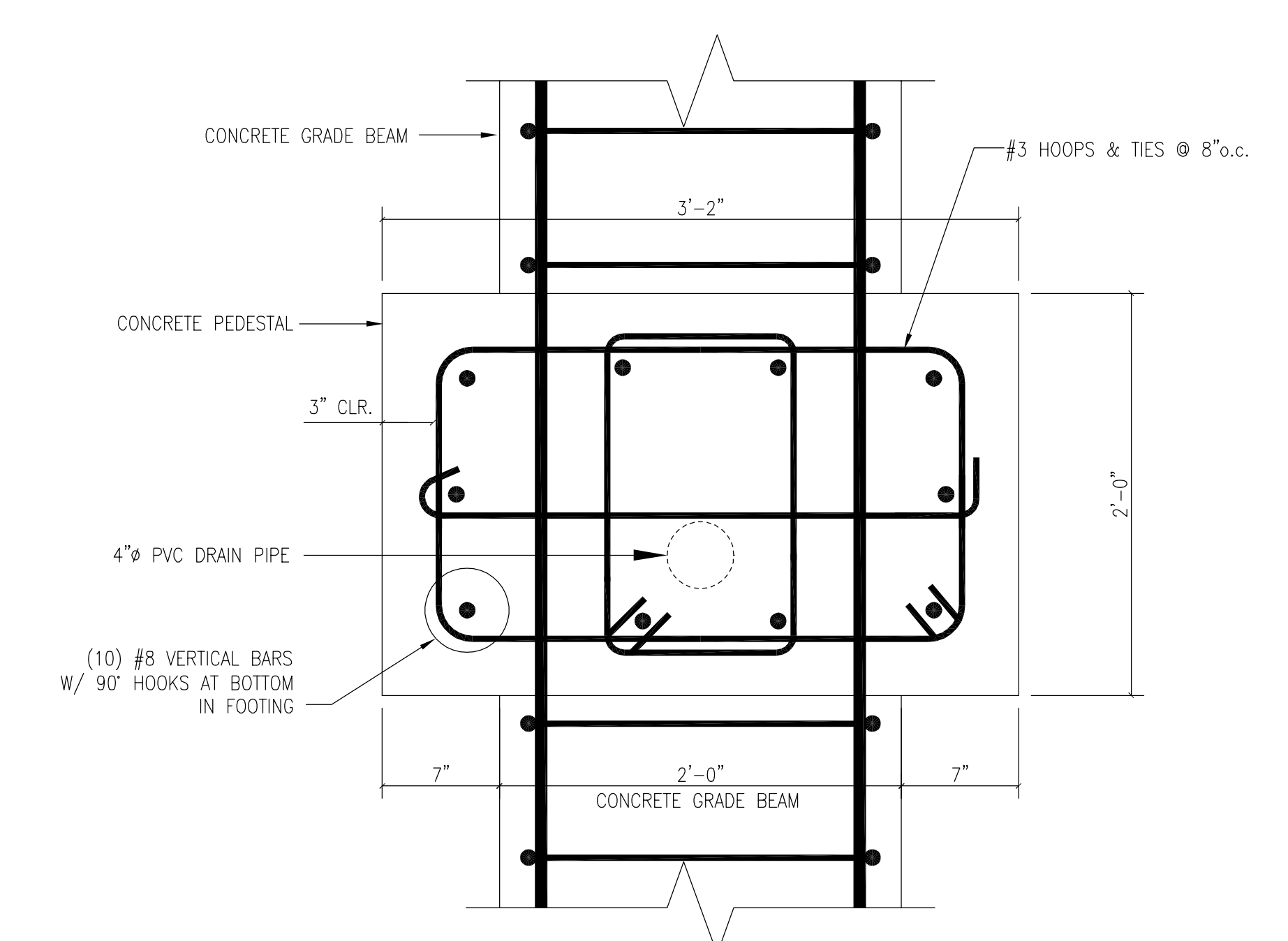
1 PLAN DETAIL: CONNECTION OF HSS20x8 CANTILEVERED TOP BEAMS TO W24 COLUMN
1 1/2" = 1'-0"



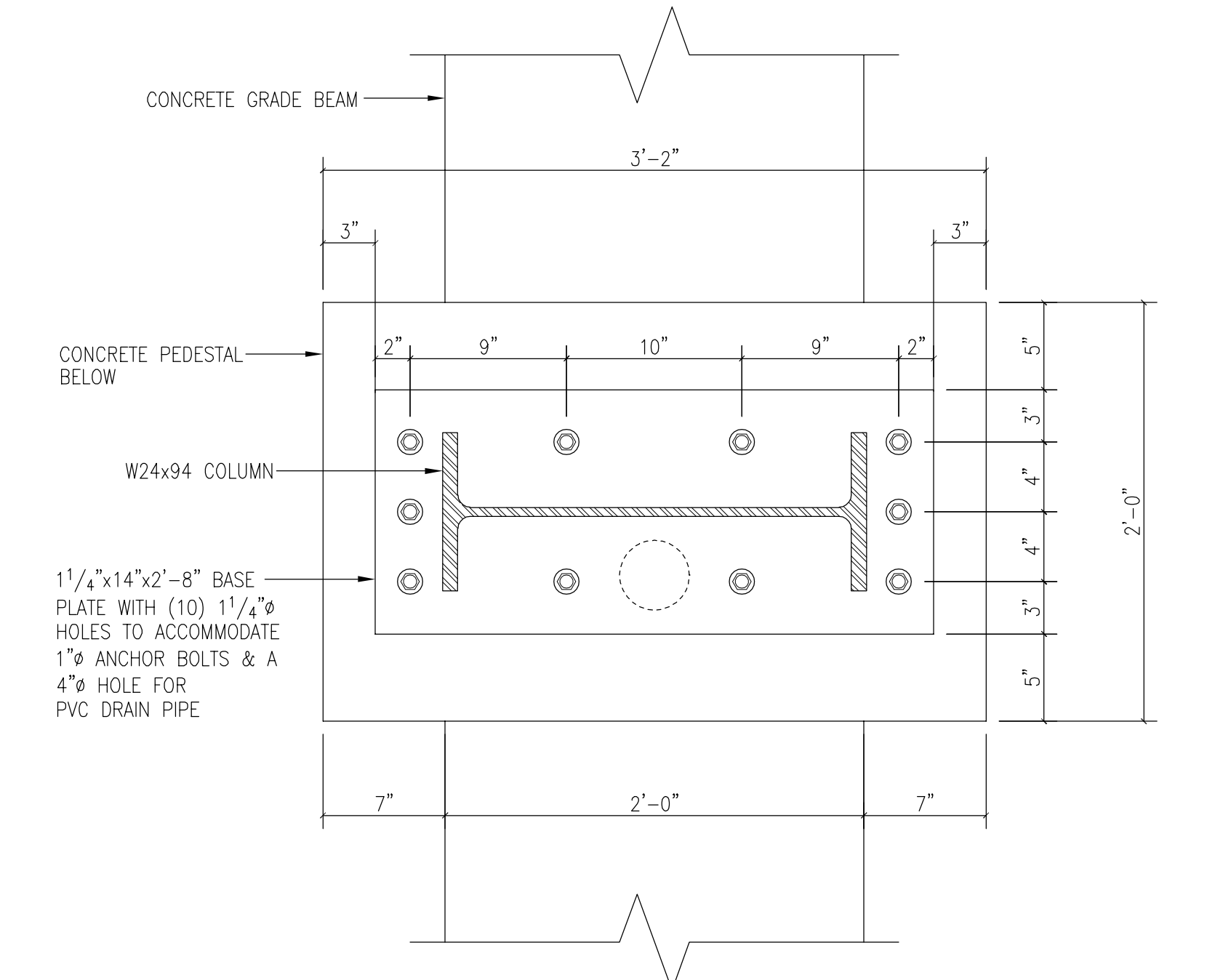
2 PLAN DETAIL: CONNECTION OF HSS20x8 CANTILEVERED BOTTOM BEAM TO W24 COLUMN
1 1/2" = 1'-0"



3 SECTION: CONNECTION OF HSS10x4 PURLIN TO HSS20x8 BEAM
1 1/2" = 1'-0"



4 PLAN DETAIL: CONCRETE PEDESTAL & GRADE BEAM
1 1/2" = 1'-0"



5 PLAN DETAIL: CONCRETE PEDESTAL WITH STEEL BASE PLATE
1 1/2" = 1'-0"

SGH
Simpson Gumpertz & Heger Inc.
Consulting Engineers

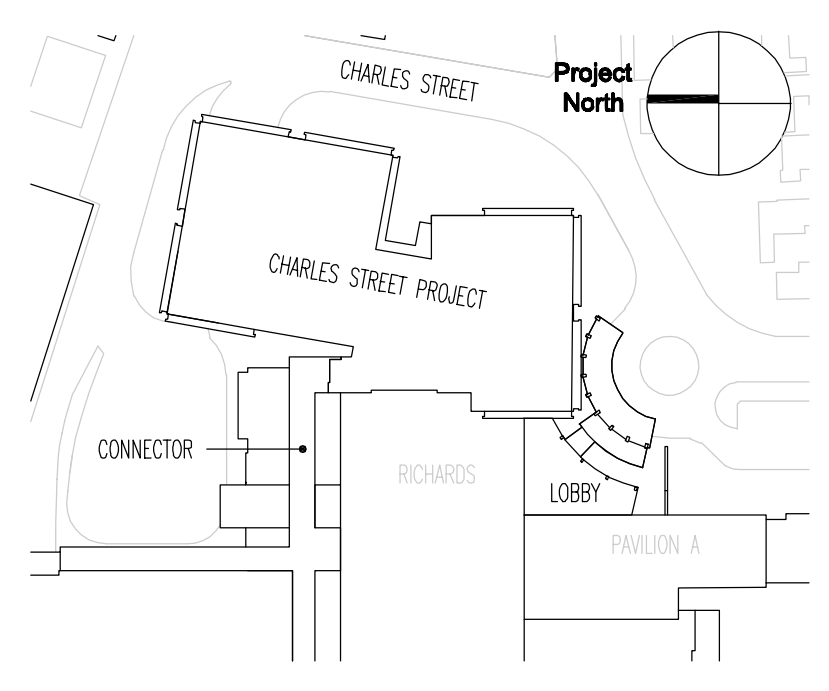
Boston, MA 41 Seay Street, Building 1, Suite 500, Waltham, MA 02453
Telephone: (781) 907 9000
Facsimile: (781) 907 9009

San Francisco, CA 222 Sutter Street, Suite 300, San Francisco, CA 94108-4445
Telephone: (415) 498 3700
Facsimile: (415) 498 3550

Washington, DC 1365 Piccard Drive, Suite 220, Rockville, MD 20850
Telephone: (301) 417 0999
Facsimile: (301) 417 9825

FOR PERMIT ONLY - NOT FOR CONSTRUCTION

PERMIT 09/24/04 PERMIT SET - NOT FOR CONSTRUCTION
Issue Log



TRO
ARCHITECTURE
PLANNING
ENGINEERING
INTERIOR DESIGN

The Ritchie Organization
80 Bridge Street
Newton, MA 02459-1154
617-869-9400

Maine Medical Center
Charles Street Project
Portland, Maine MMC Project No. 21841

Drawing Title
**ENTRANCE CANOPY
FRAMING SECTIONS
AND DETAILS**

Commission No.	4673	Date Issued	20 October 2003
Scale	AS SHOWN	Sheet Number	
Drawn By	KMG/SK		
Approved By	JMT		
Discipline	1/2000/2068-0002/04		

S502