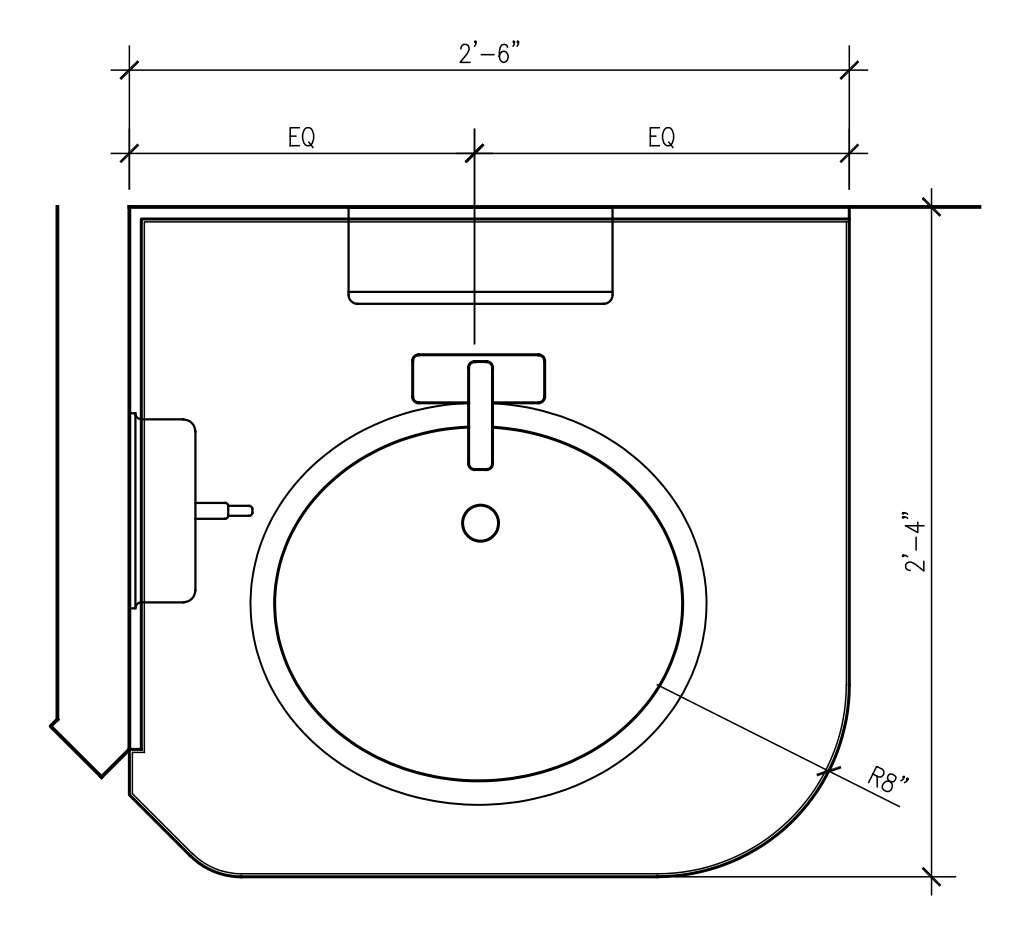
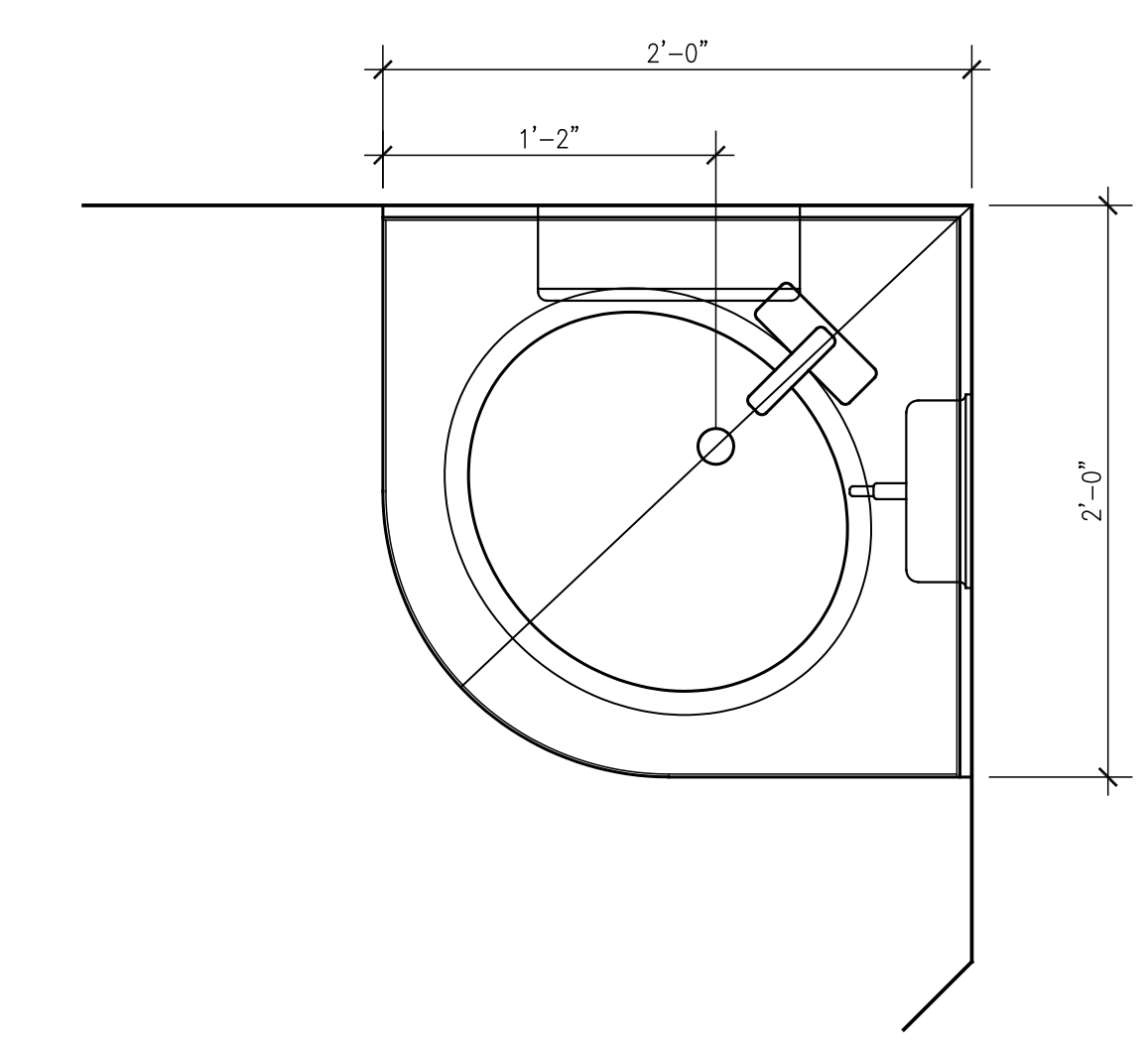


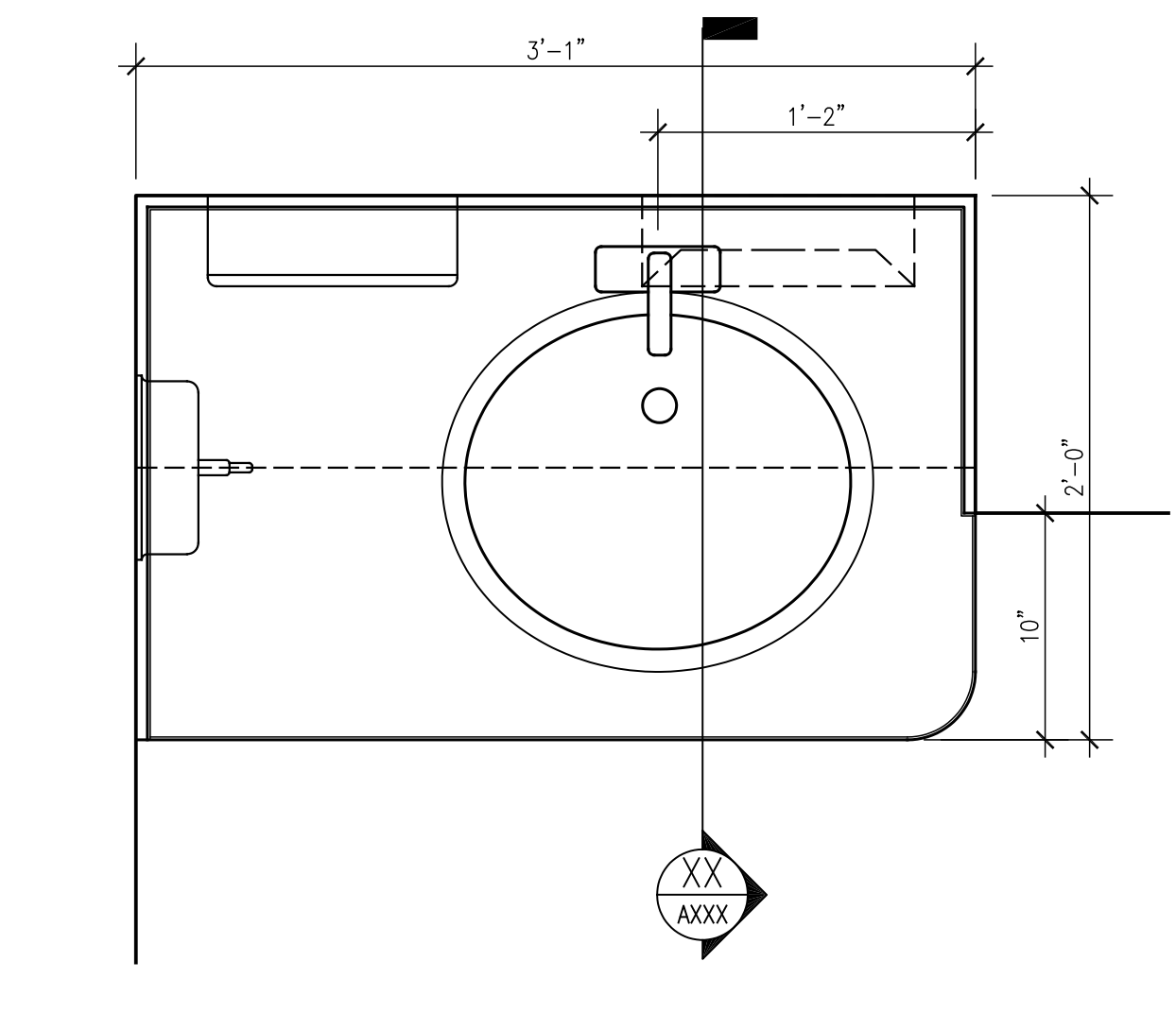
General Notes:



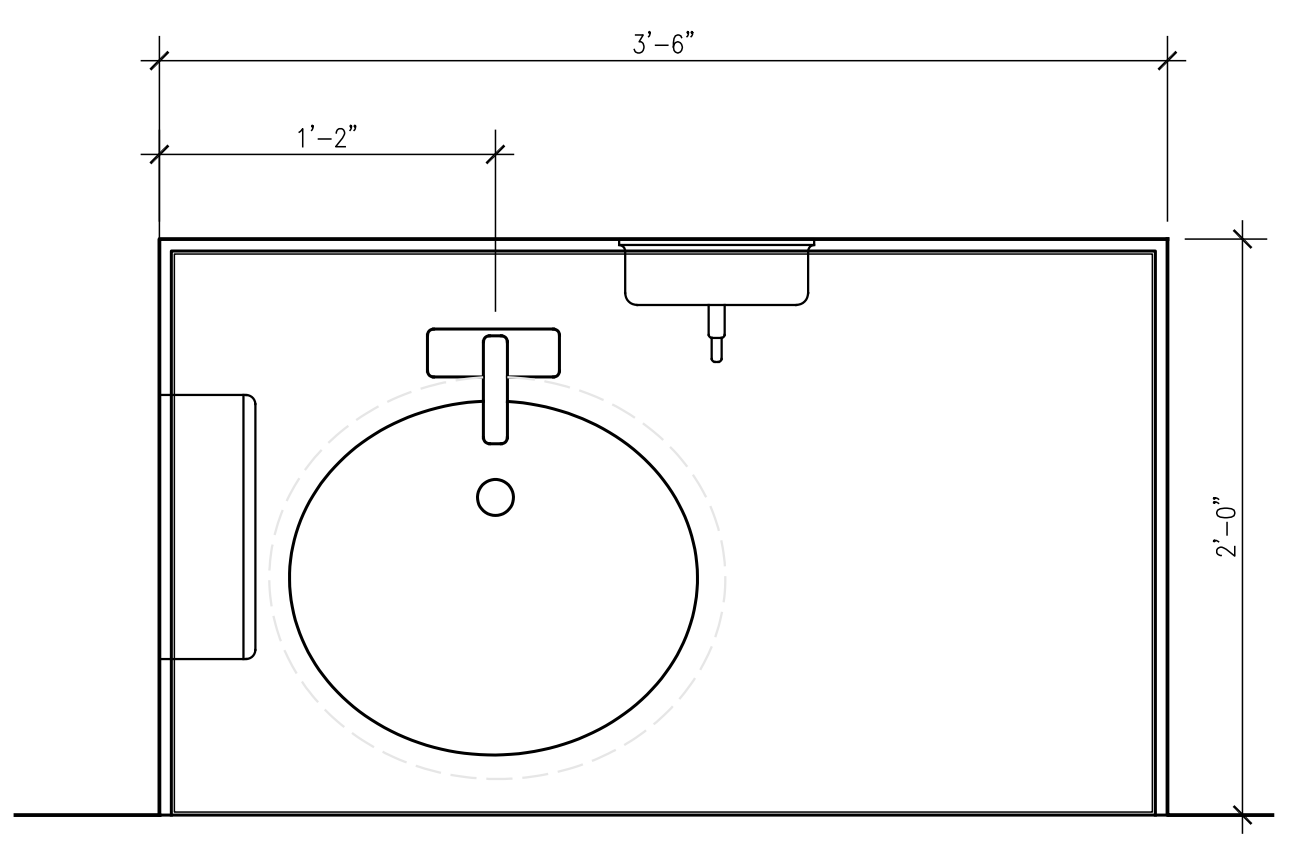
D1 PLAN - SINK AT ANTE PRTM  
SCALE: 1 1/2" = 1'-0"



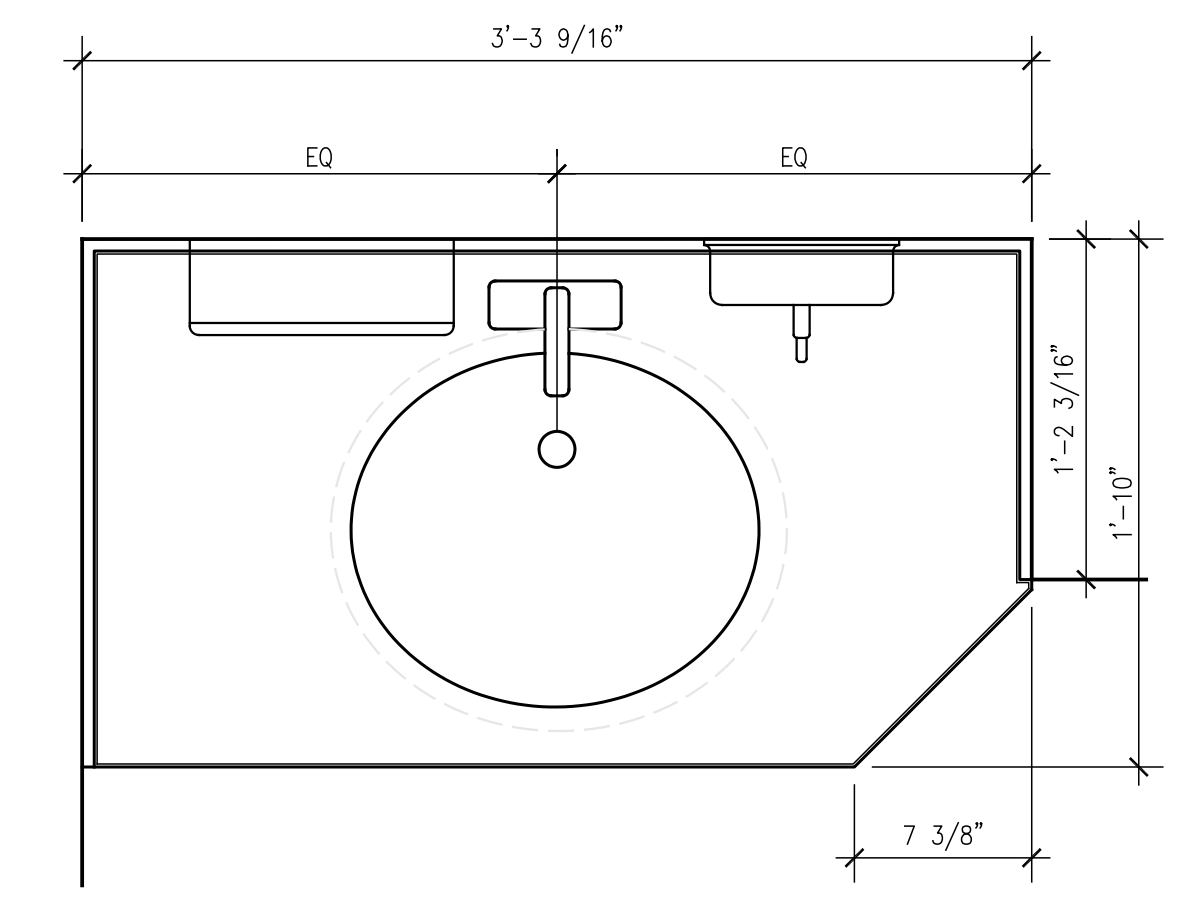
E1 PLAN - SINK AT ANTE PRTM  
SCALE: 1 1/2" = 1'-0"



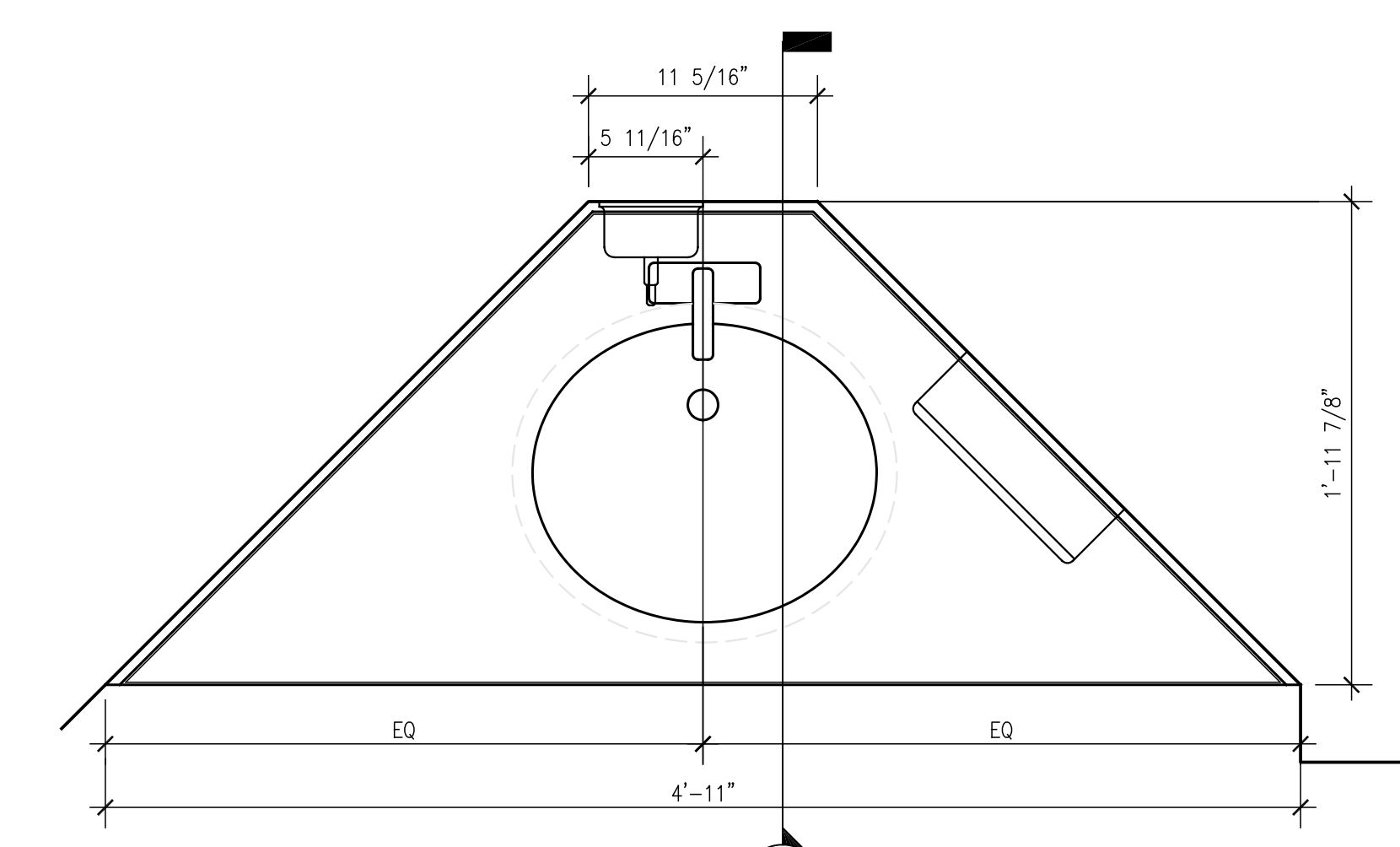
F1 PLAN - SINK AT ANTE PRTM  
SCALE: 1 1/2" = 1'-0"



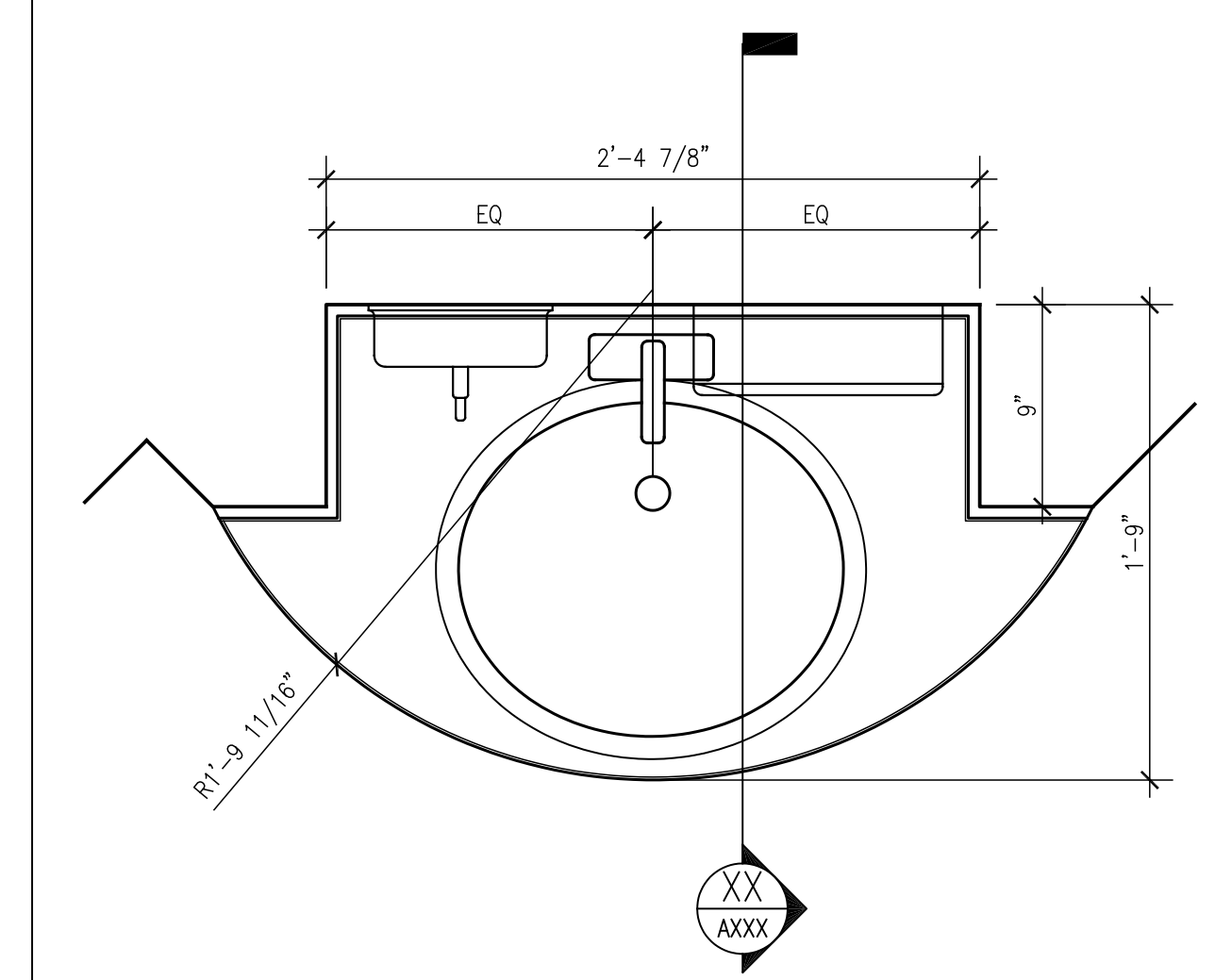
B2 PLAN - SINK AT ANTE ROOM  
SCALE: 1 1/2" = 1'-0"



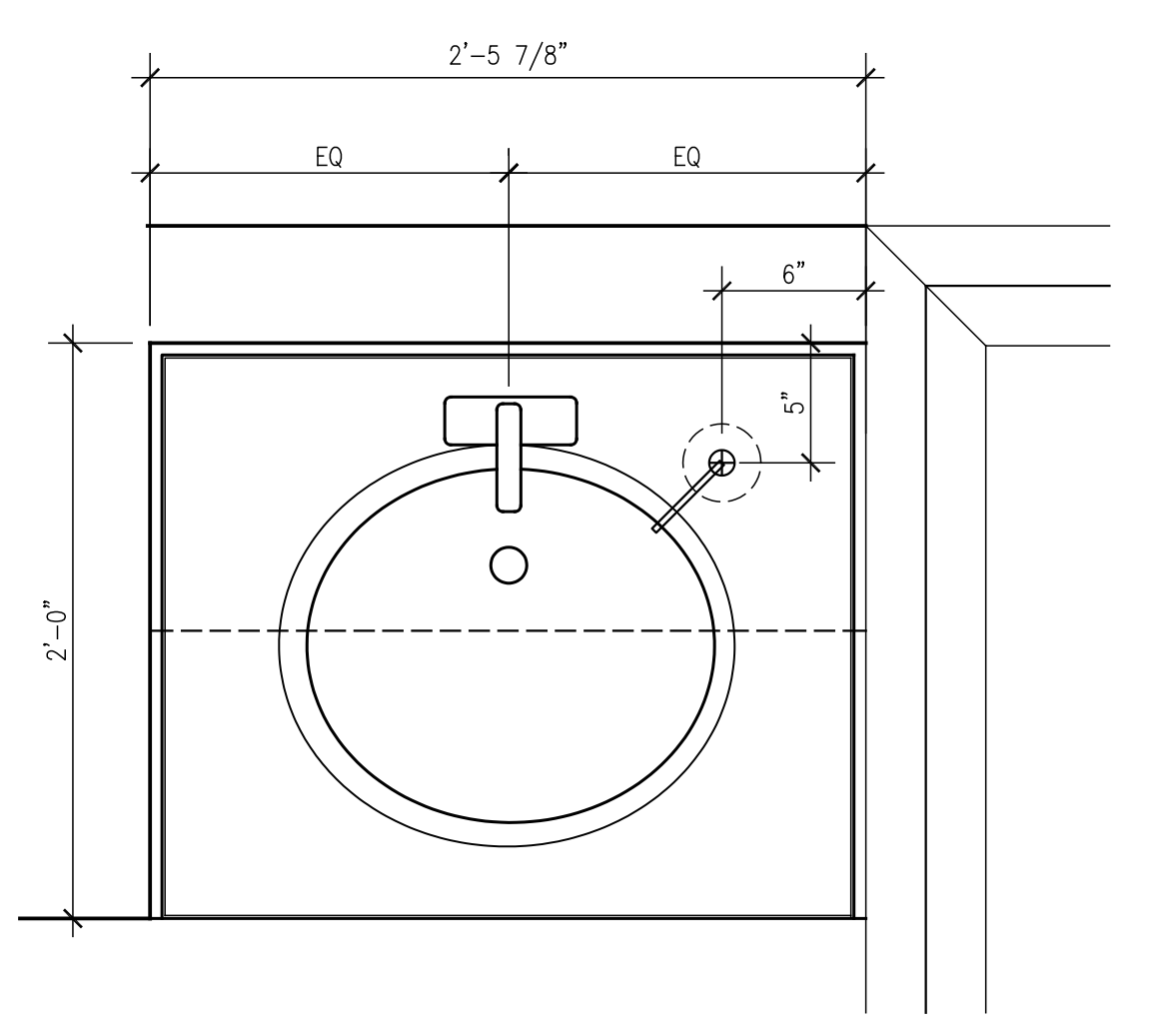
C2 PLAN - SINK AT TRIAGE  
SCALE: 1 1/2" = 1'-0"



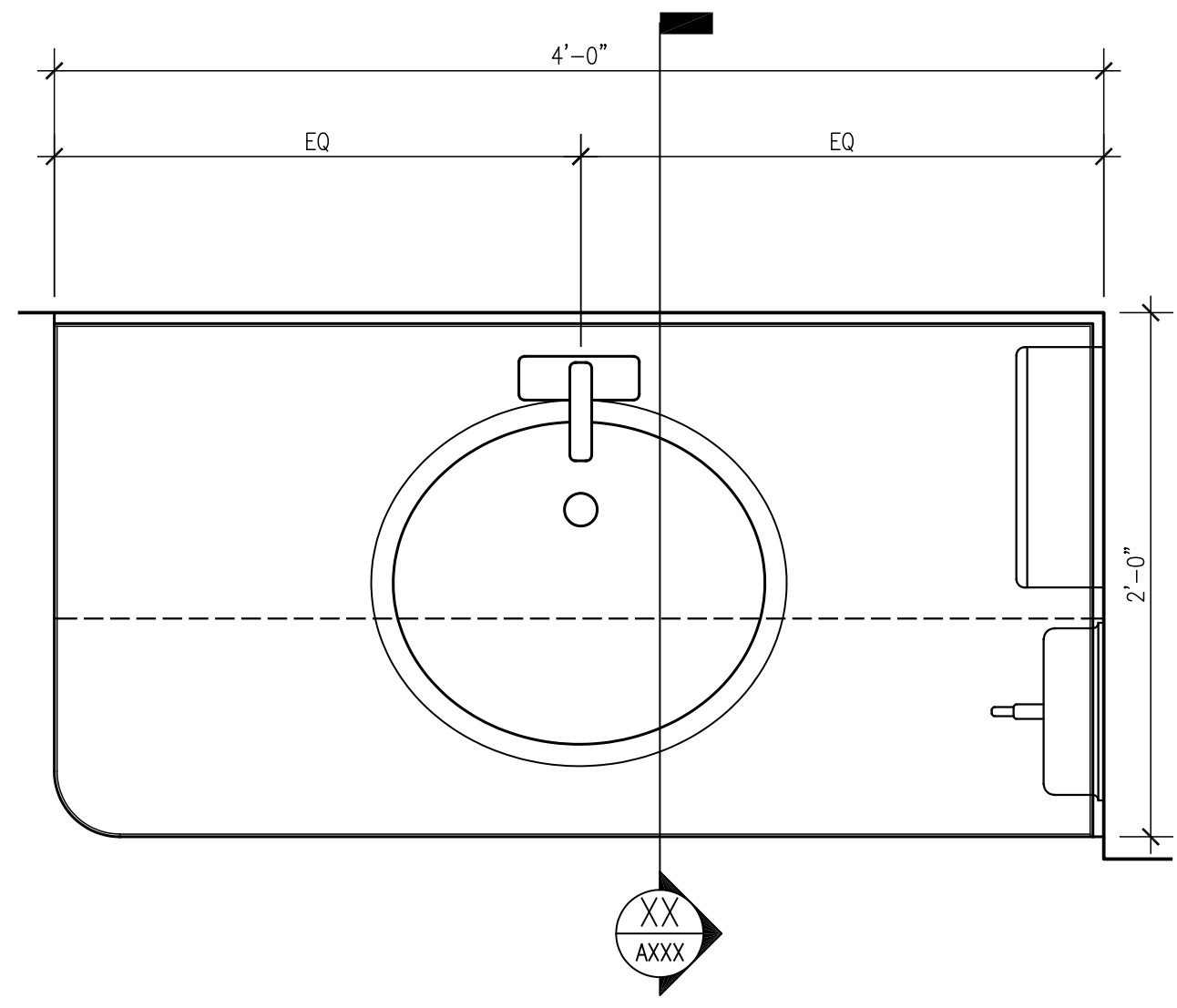
D2 PLAN - SINK AT LDR & STAFF T/SH  
SCALE: 1 1/2" = 1'-0"



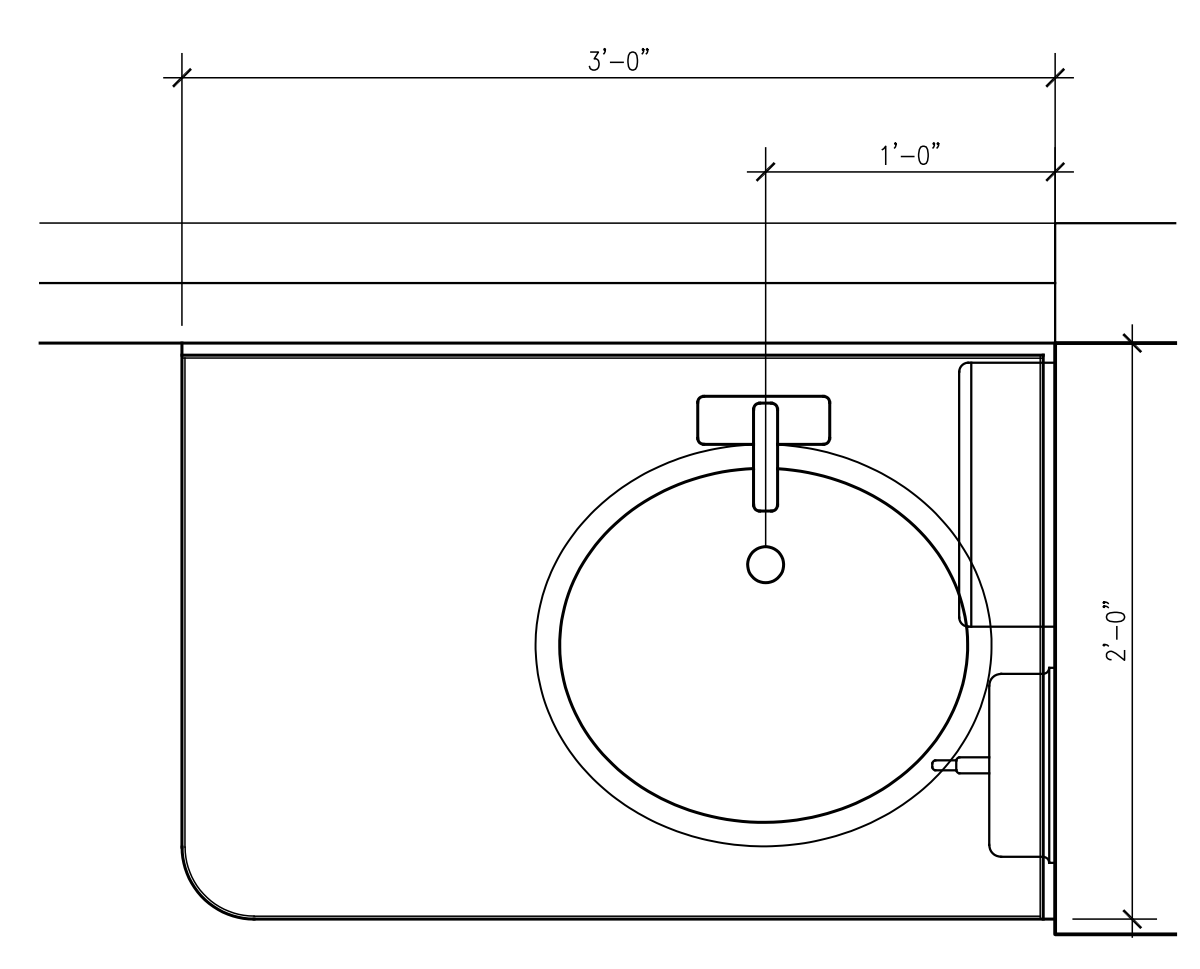
F2 PLAN - SINK AT LDR  
SCALE: 1 1/2" = 1'-0"



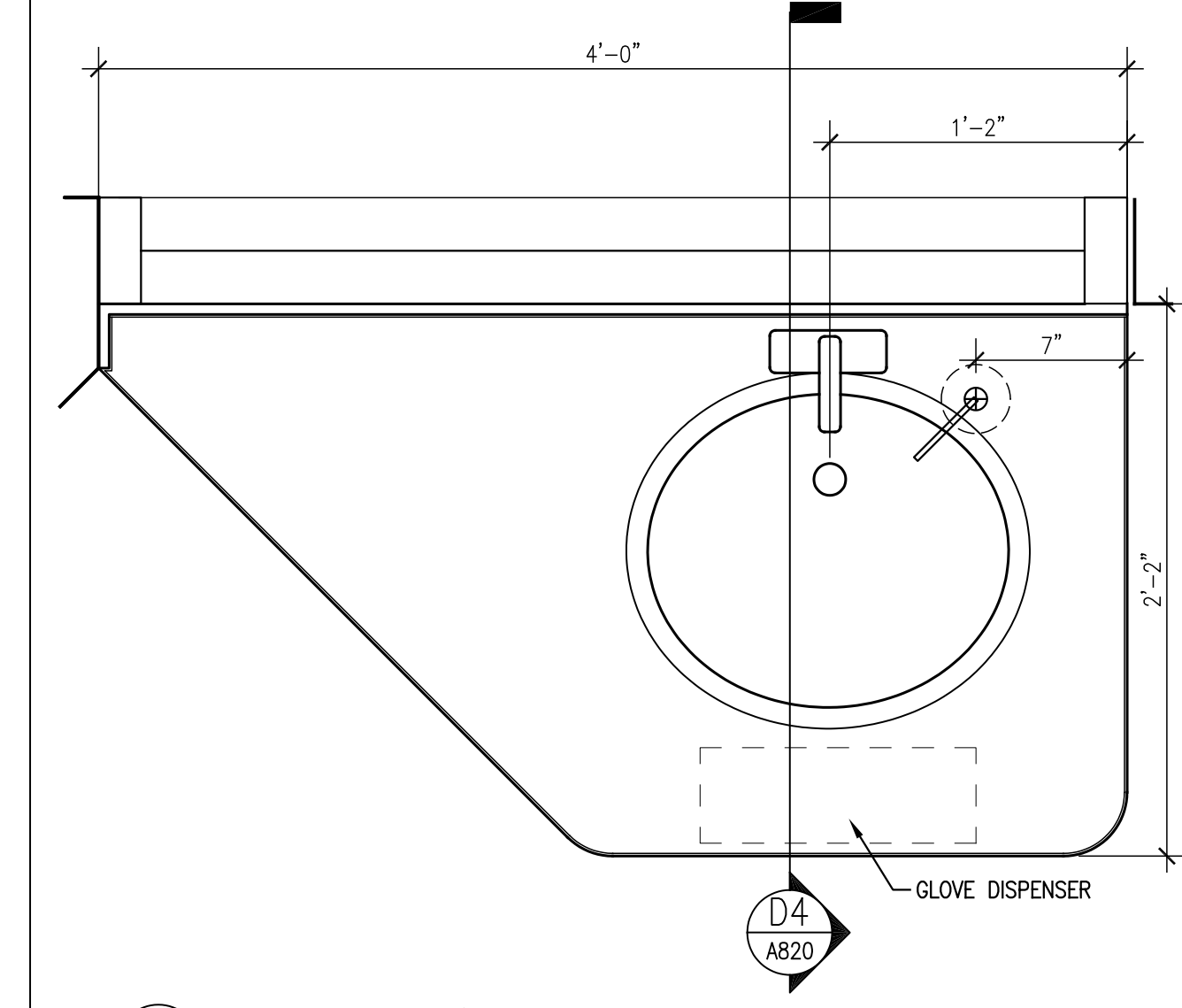
C3 PLAN - SINK AT CCN  
SCALE: 1 1/2" = 1'-0"



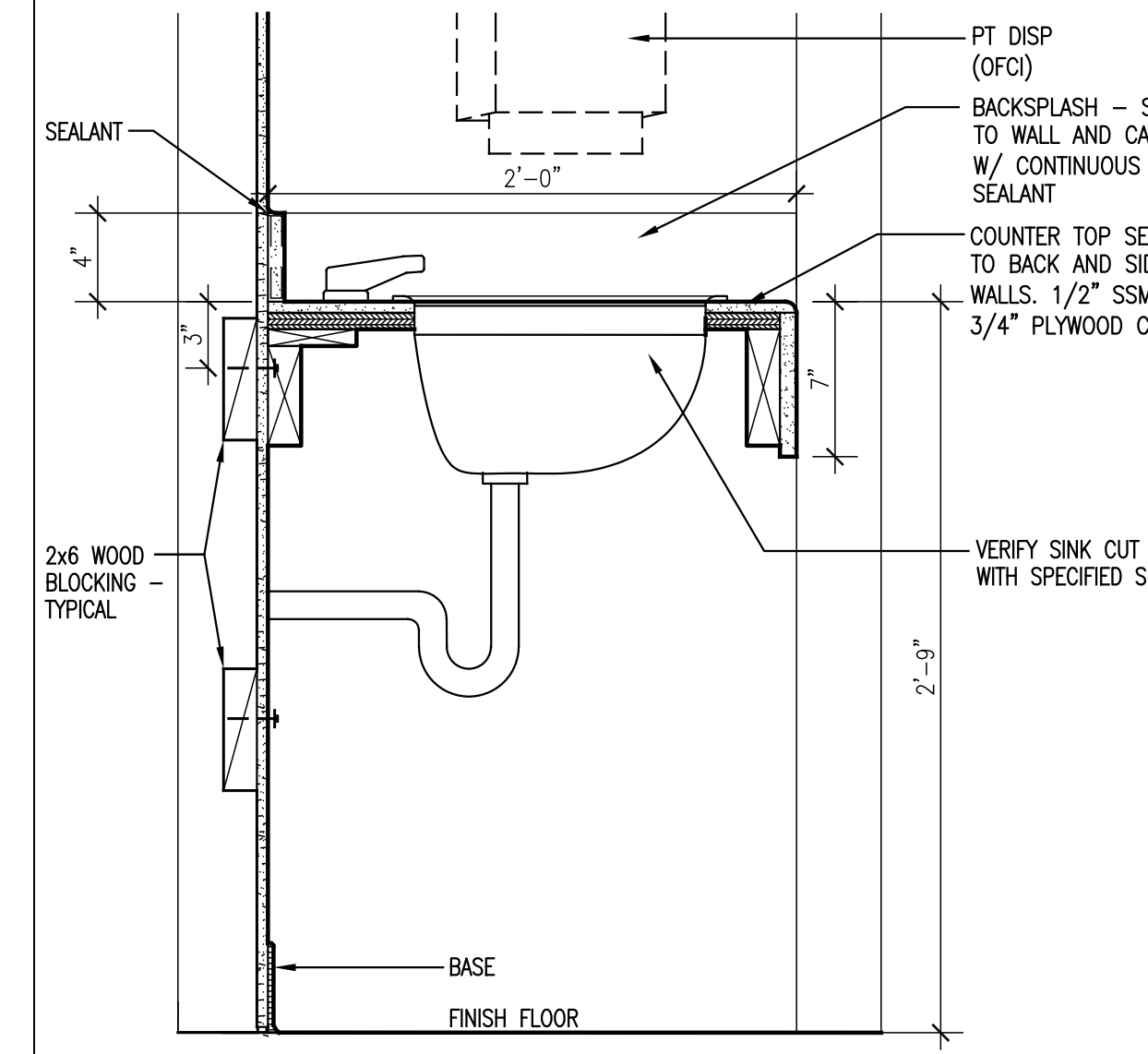
D3 PLAN - SINK AT ANTE ROOM  
SCALE: 1 1/2" = 1'-0"



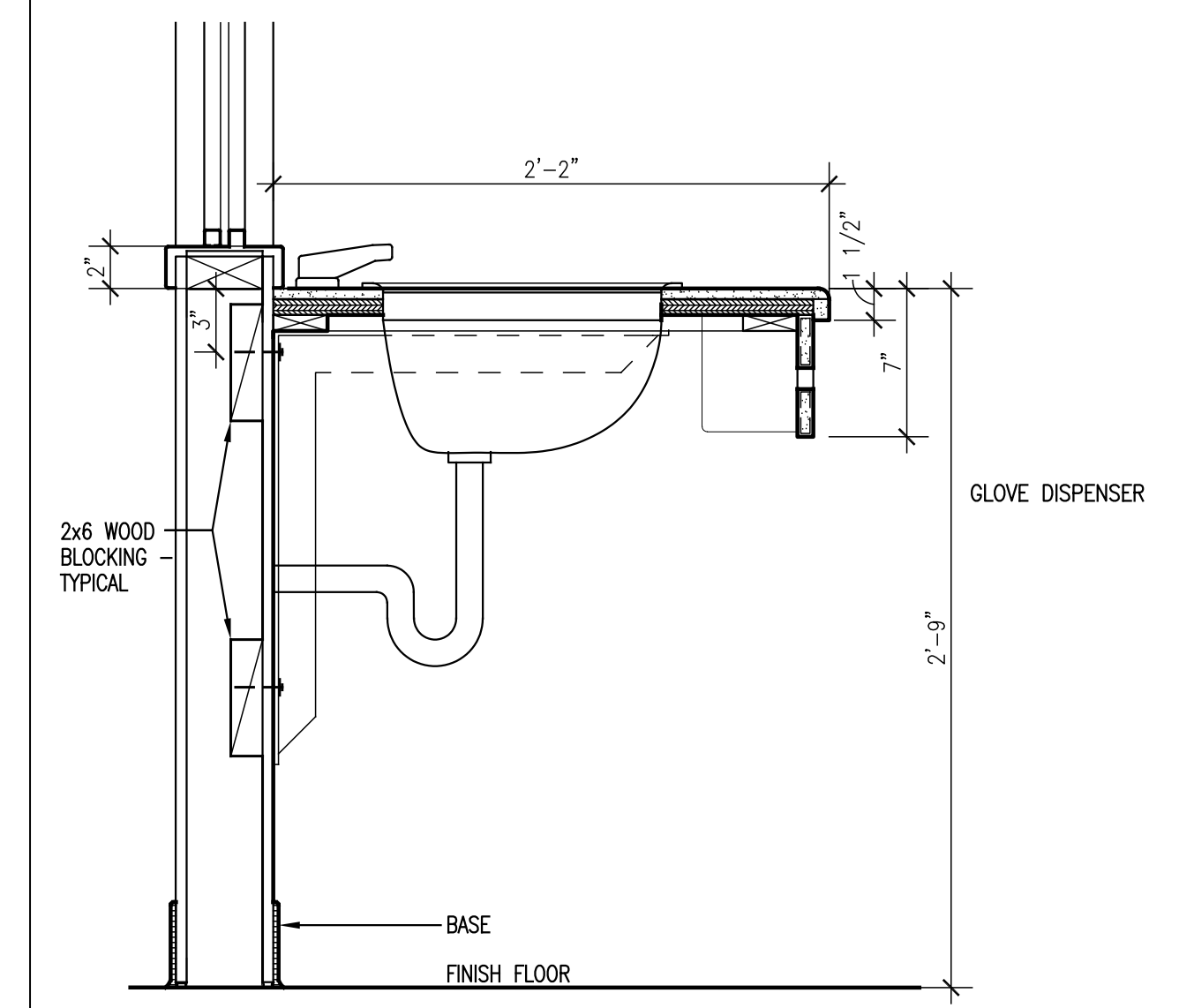
E3 PLAN - SINK AT NICU  
SCALE: 1 1/2" = 1'-0"



F3 PLAN - SINK AT NICU  
SCALE: 1 1/2" = 1'-0"



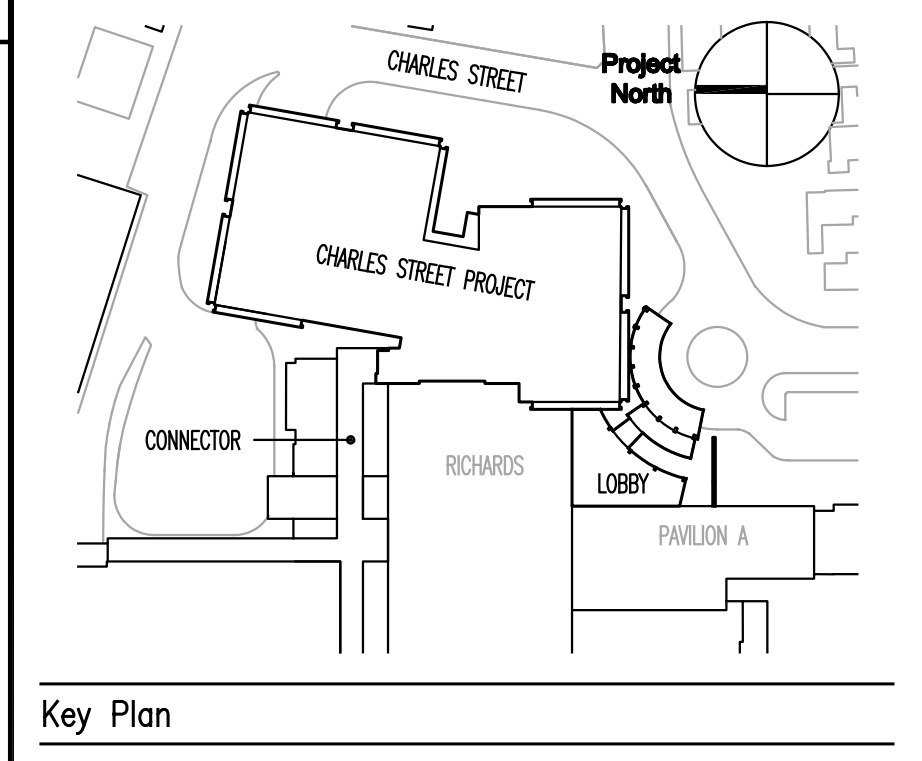
D4 SECTION - SINK AT LDR  
SCALE: 1 1/2" = 1'-0"



F4 SECTION - SINK AT LDR  
SCALE: 1 1/2" = 1'-0"

**FOR PERMIT ONLY  
NOT FOR CONSTRUCTION**

MARK ISSUE DATE DESCRIPTION  
PERMIT 09/24/04 PERMIT SET - NOT FOR CONSTRUCTION  
Issue Log



**TRO**  
ARCHITECTURE  
PLANNING  
ENGINEERING  
INTERIOR DESIGN  
The Ritchie Organization  
80 Bridge Street  
Newton, MA 02460-1196  
817-999-9100

**Maine Medical Center**  
Charles Street Project  
Portland, Maine MMC Project No. 21841

Drawing Title  
**CASEWORK  
DETAILS**

Commission No.	4673	Date Issued	
Scale	AS NOTED	Sheet Number	
Drawn By	AD		
Approved By	JW		
Filename	4673A820.dwg		
Copyright	© 2004 The Ritchie Organization		

**A820**