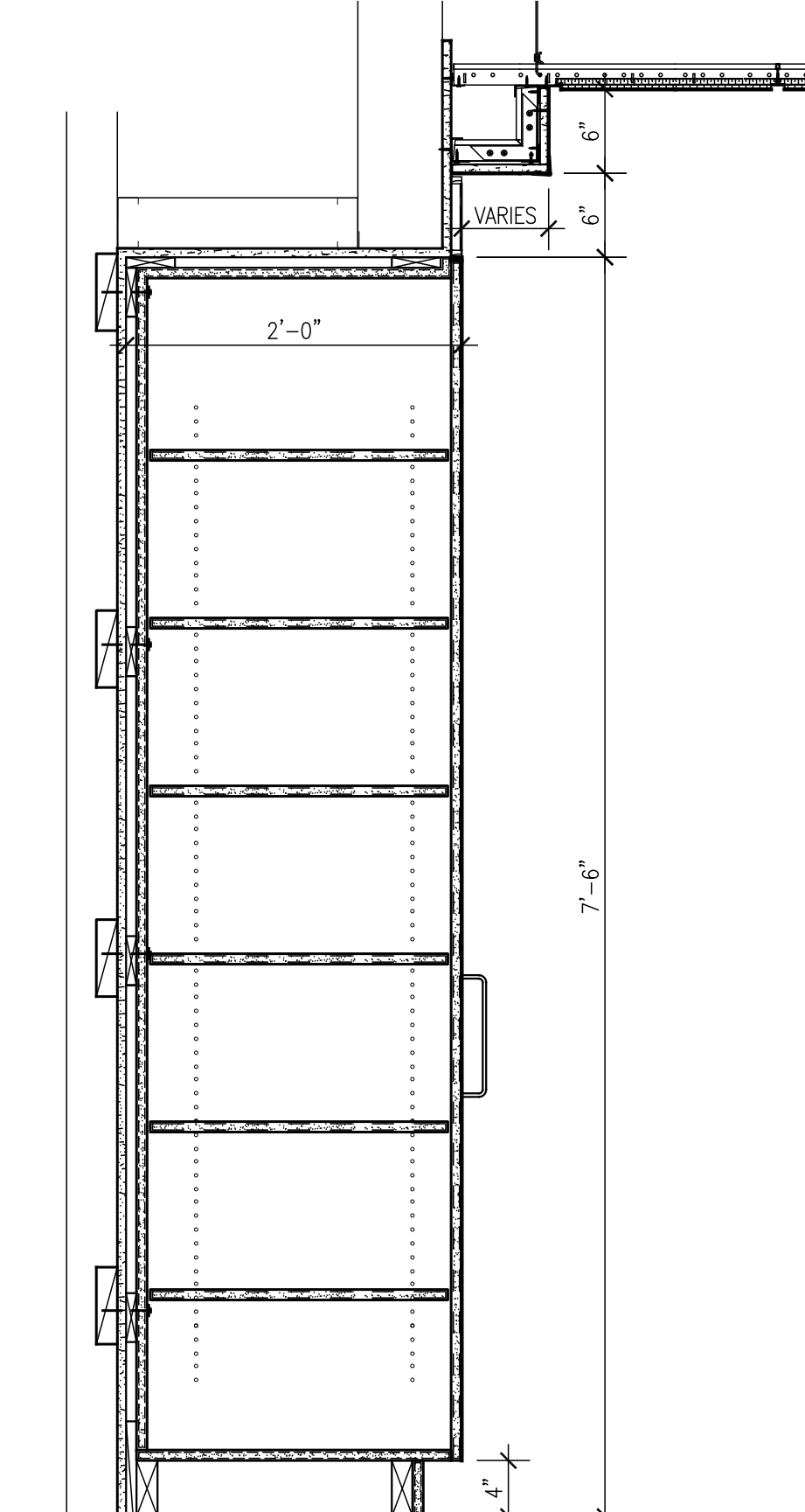
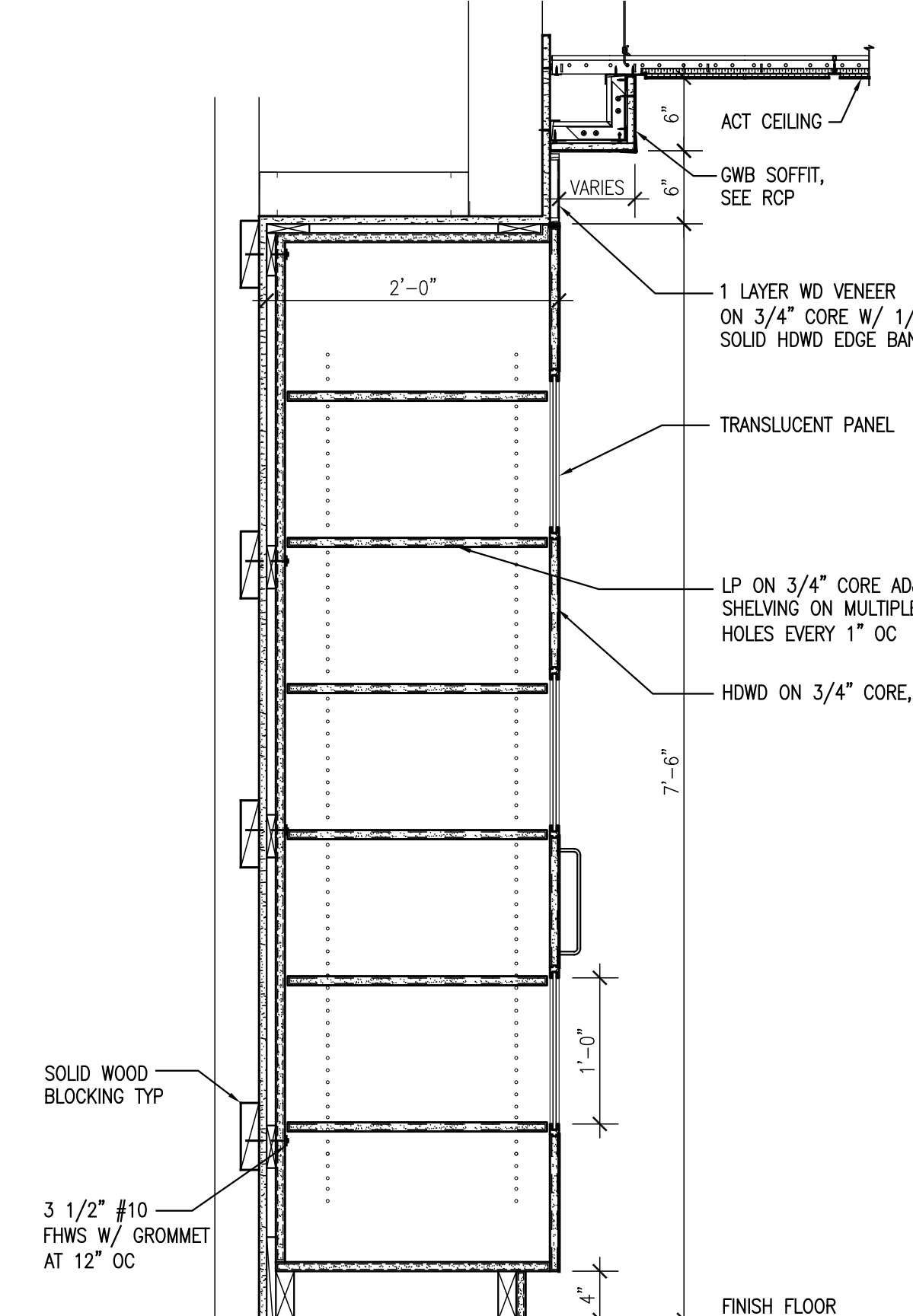


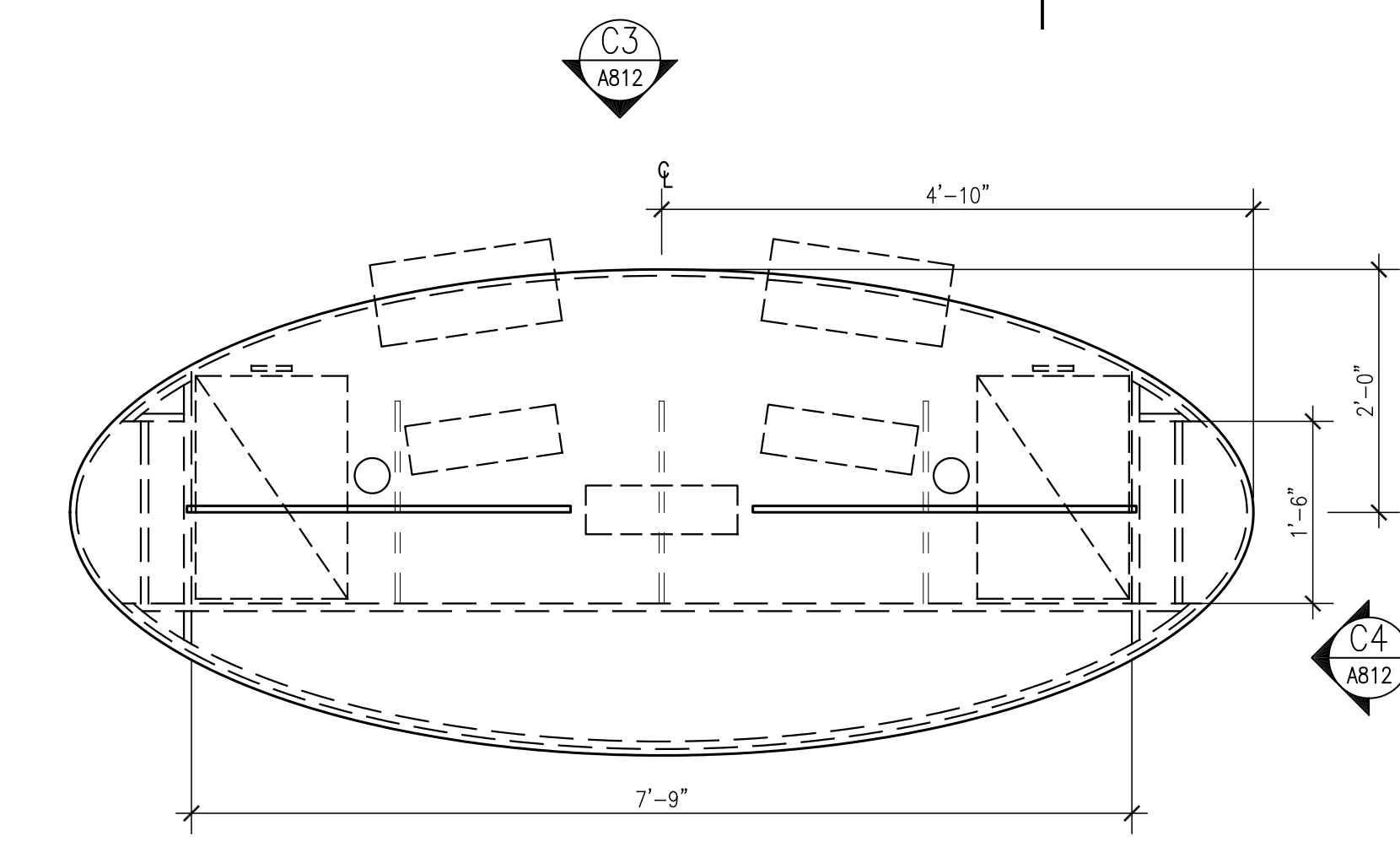
General Notes:



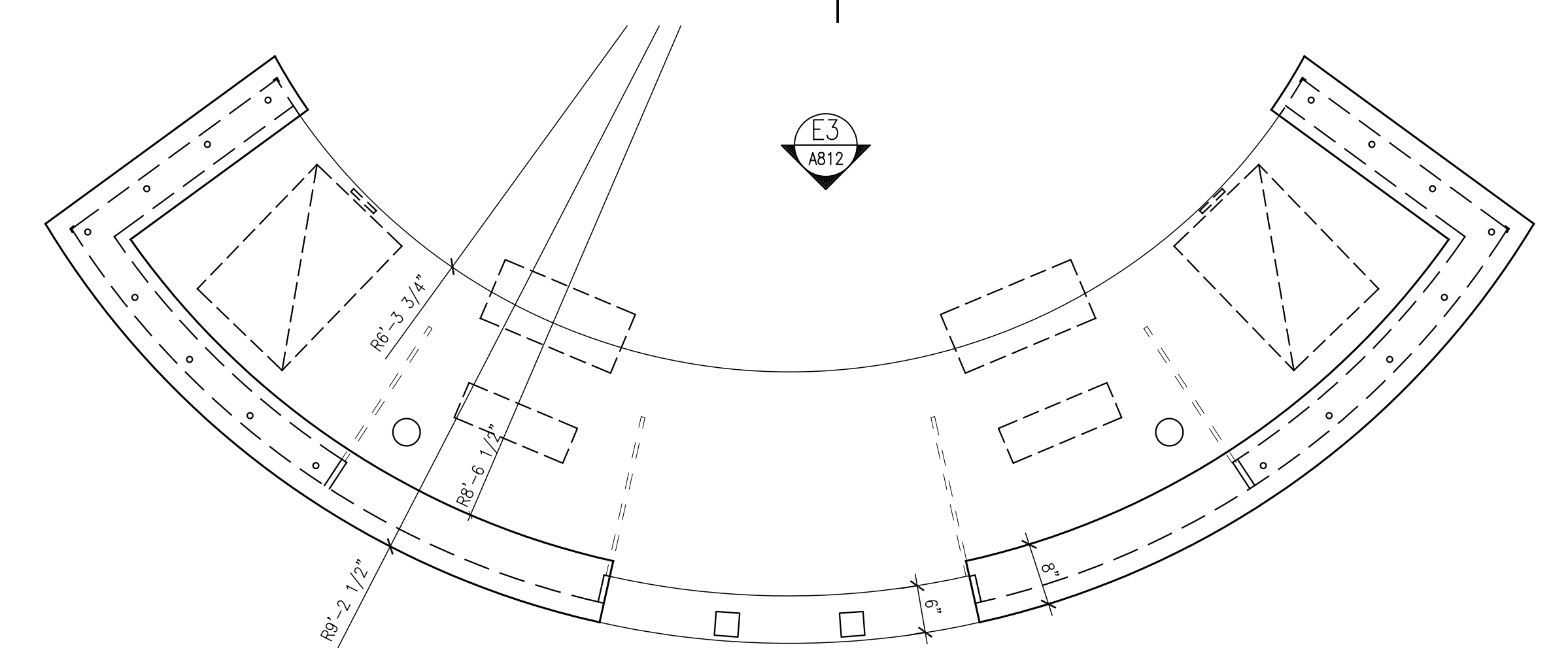
A2 FAMILY STORAGE SECTION AT LDR
SCALE: 1" = 1'-0"



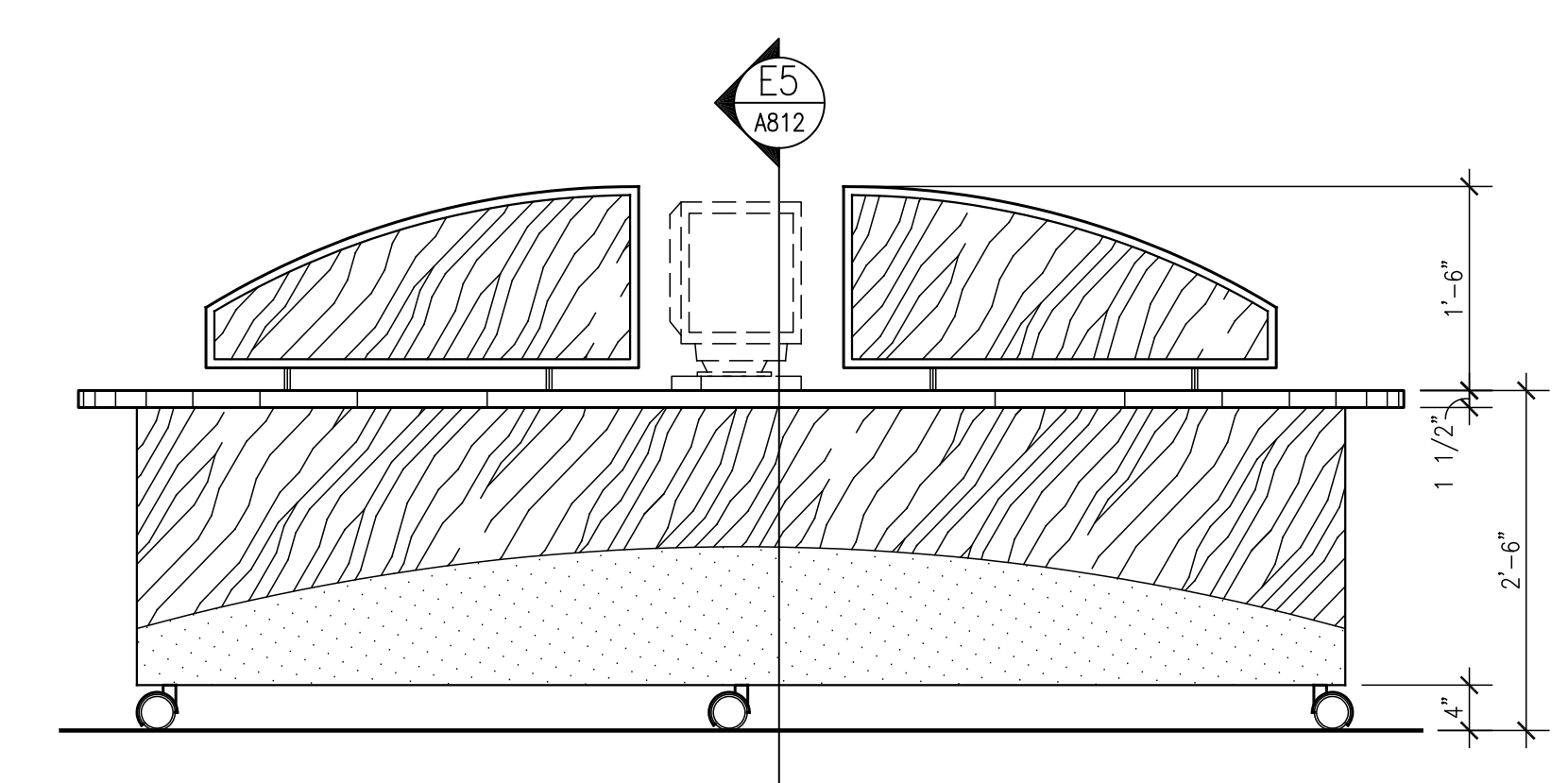
B2 CLINICAL STORAGE SECTION AT LDR
SCALE: 1" = 1'-0"



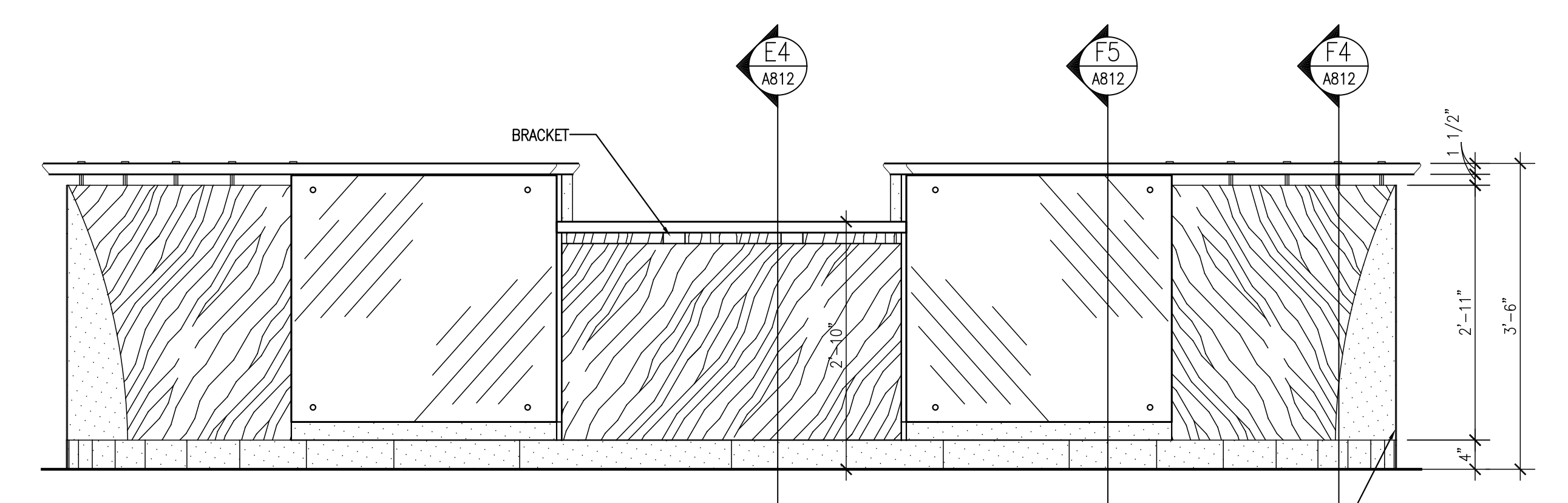
C2 ENLARGED PLAN - NICU STAFF STATION
SCALE: 3/4" = 1'-0"



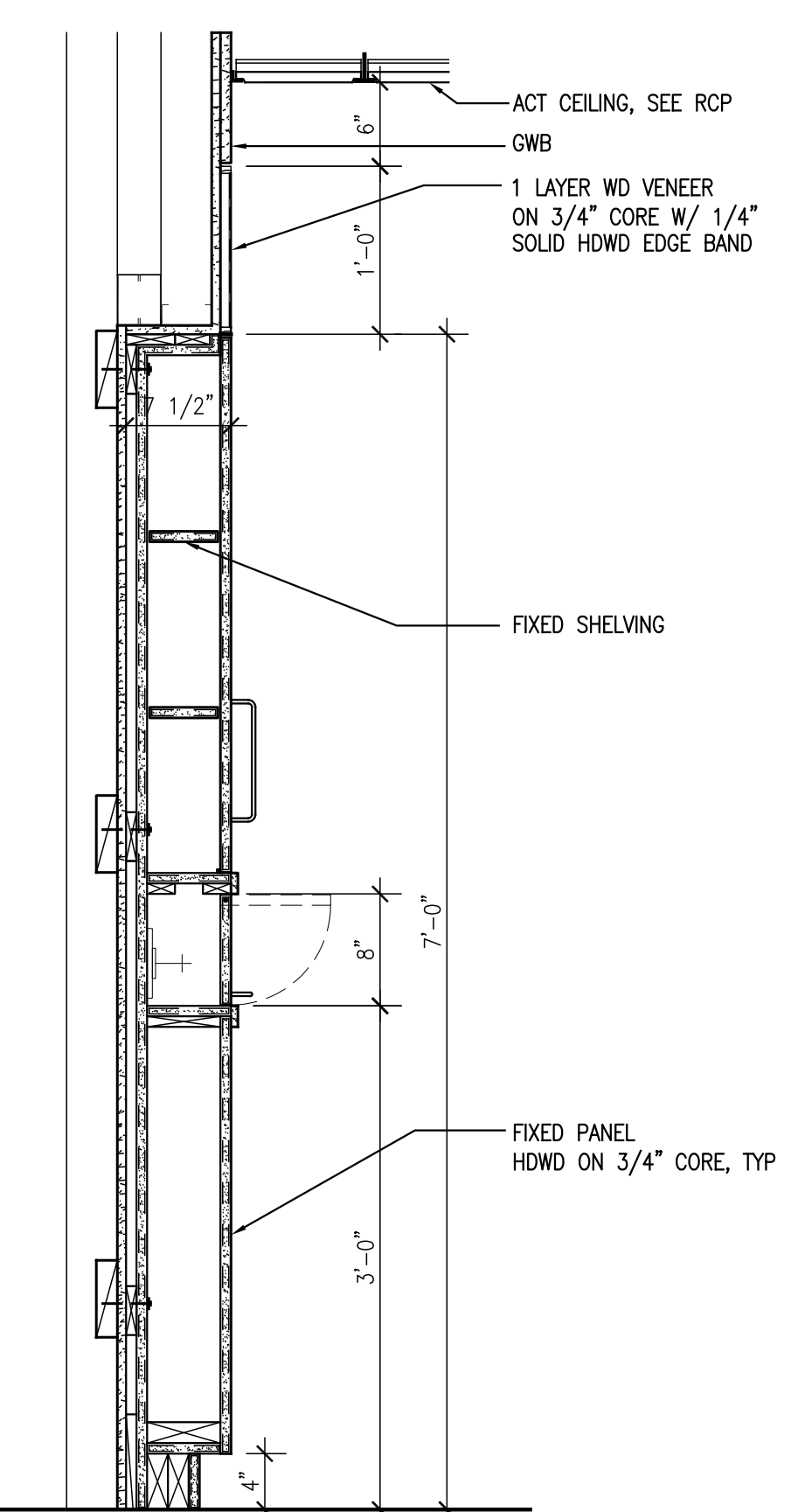
E1 ENLARGED PLAN - LDR STAFF STATION
SCALE: 3/4" = 1'-0"



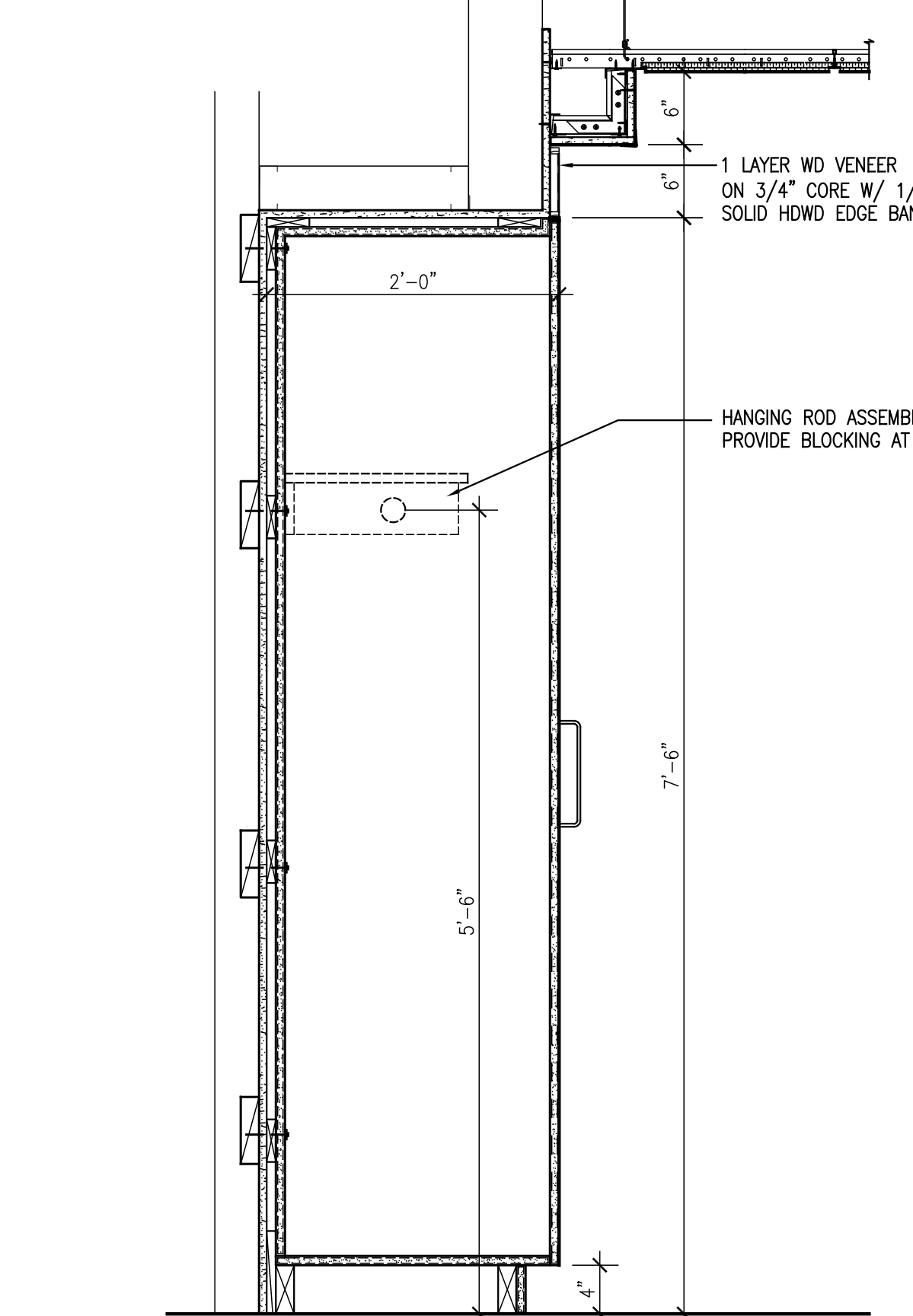
C2 ENLARGED ELEVATION - NICU STAFF STATION
SCALE: 3/4" = 1'-0"



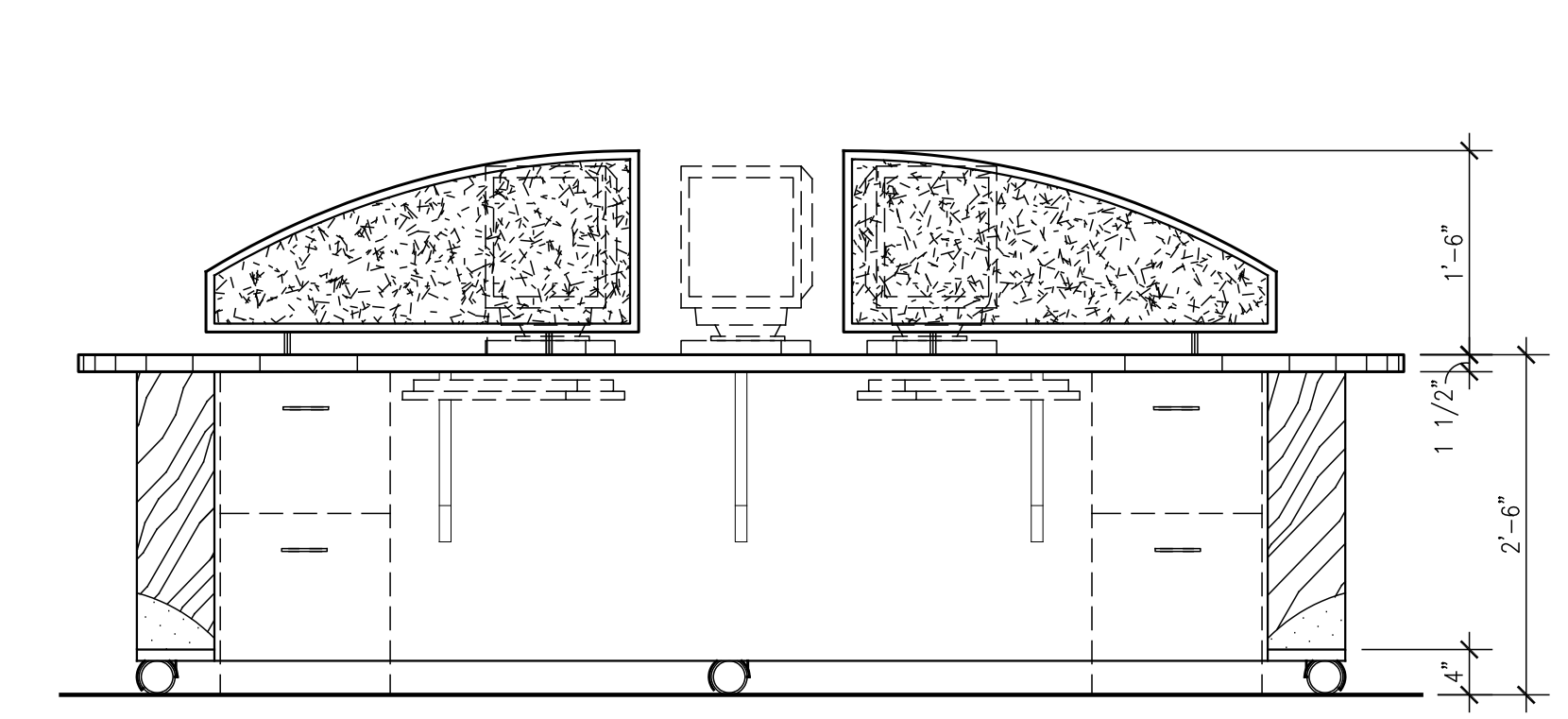
E2 ENLARGED ELEVATION - LDR STAFF STATION
SCALE: 3/4" = 1'-0"



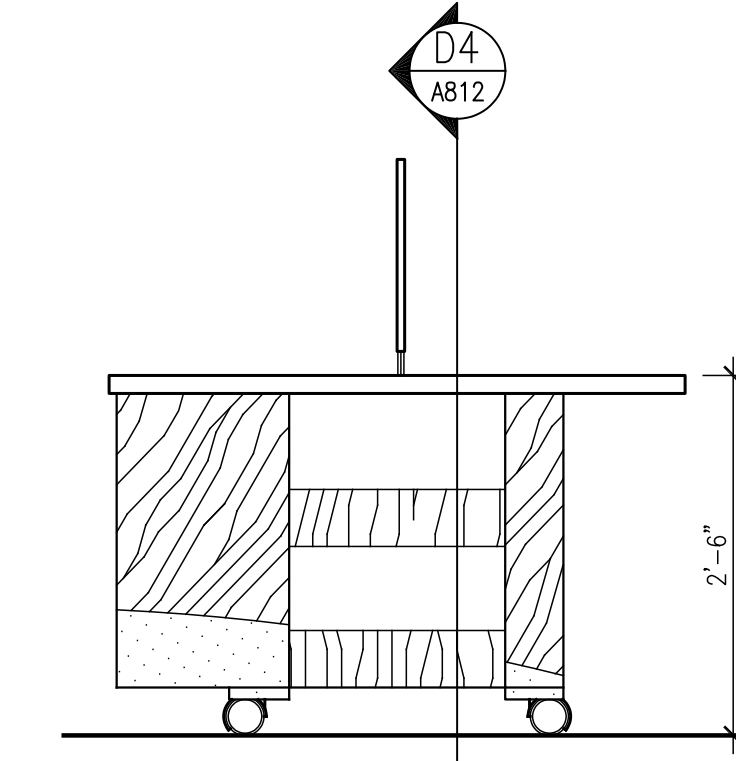
A4 INFANT WALL SECTION AT LDR
SCALE: 1" = 1'-0"



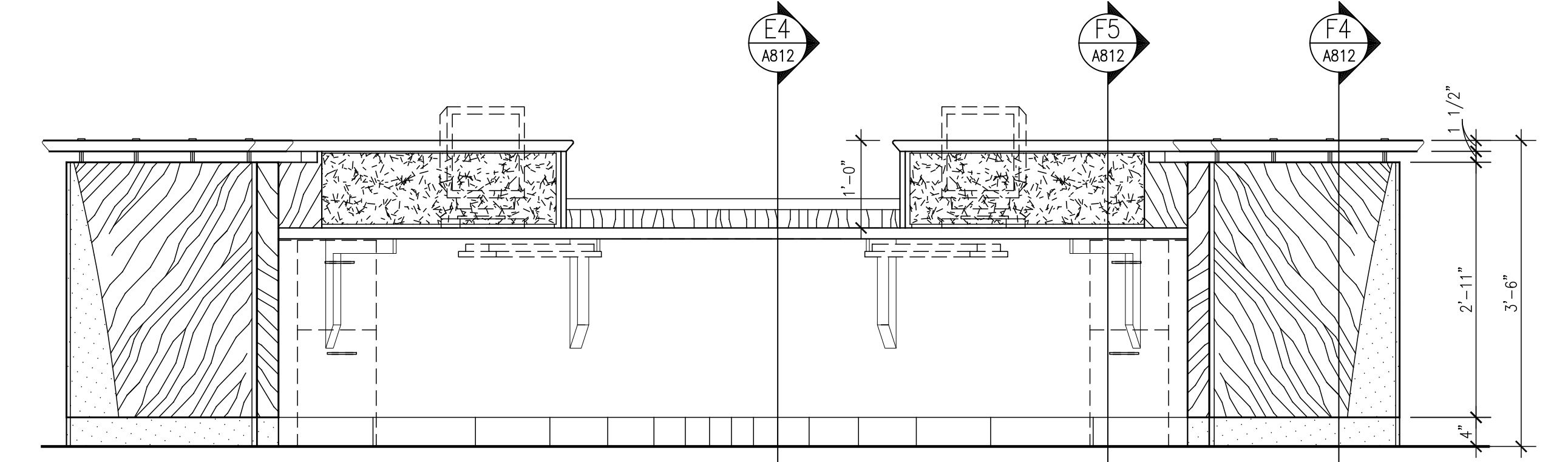
B4 FAMILY STORAGE SECTION AT LDR
SCALE: 1" = 1'-0"



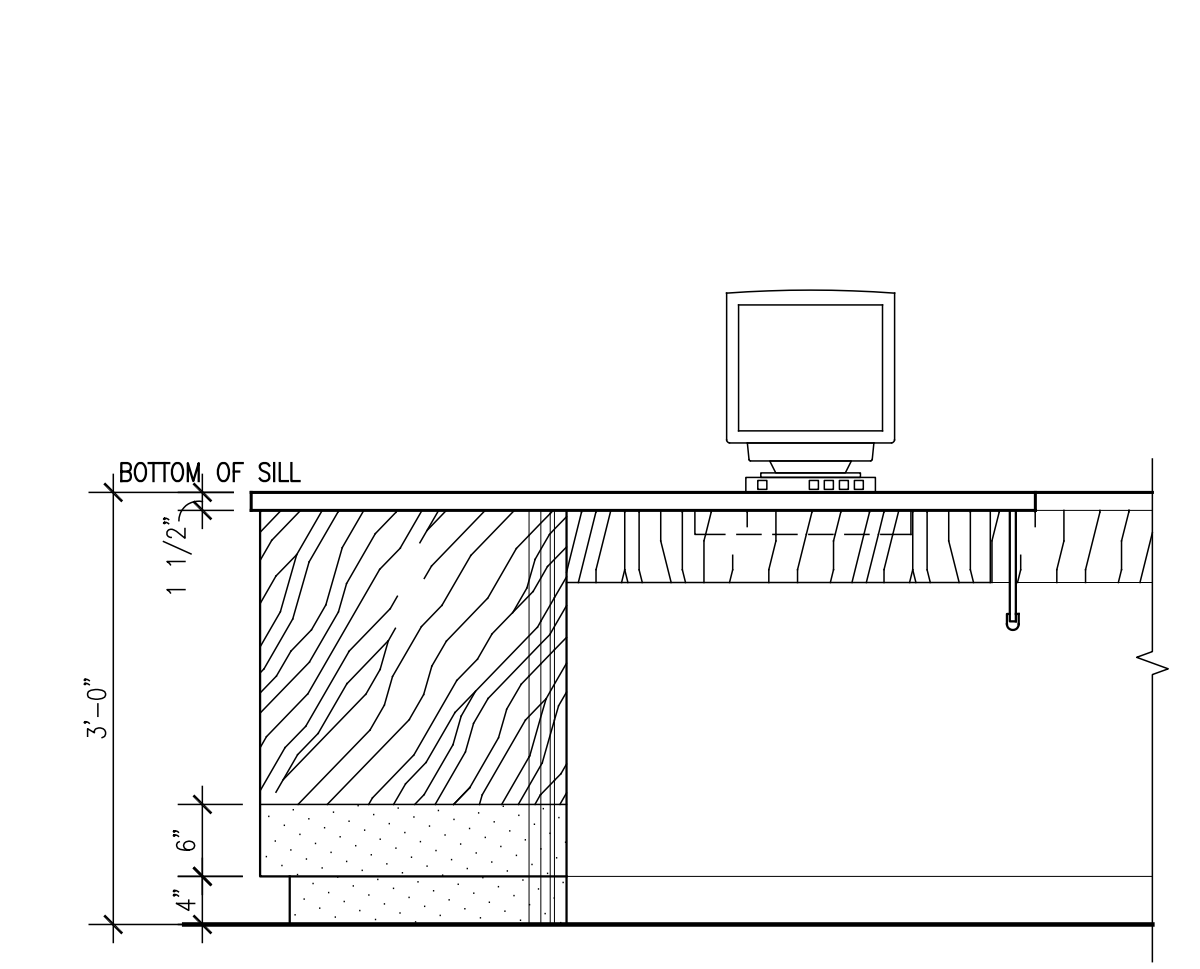
C3 ENLARGED ELEVATION - NICU STAFF STATION
SCALE: 3/4" = 1'-0"



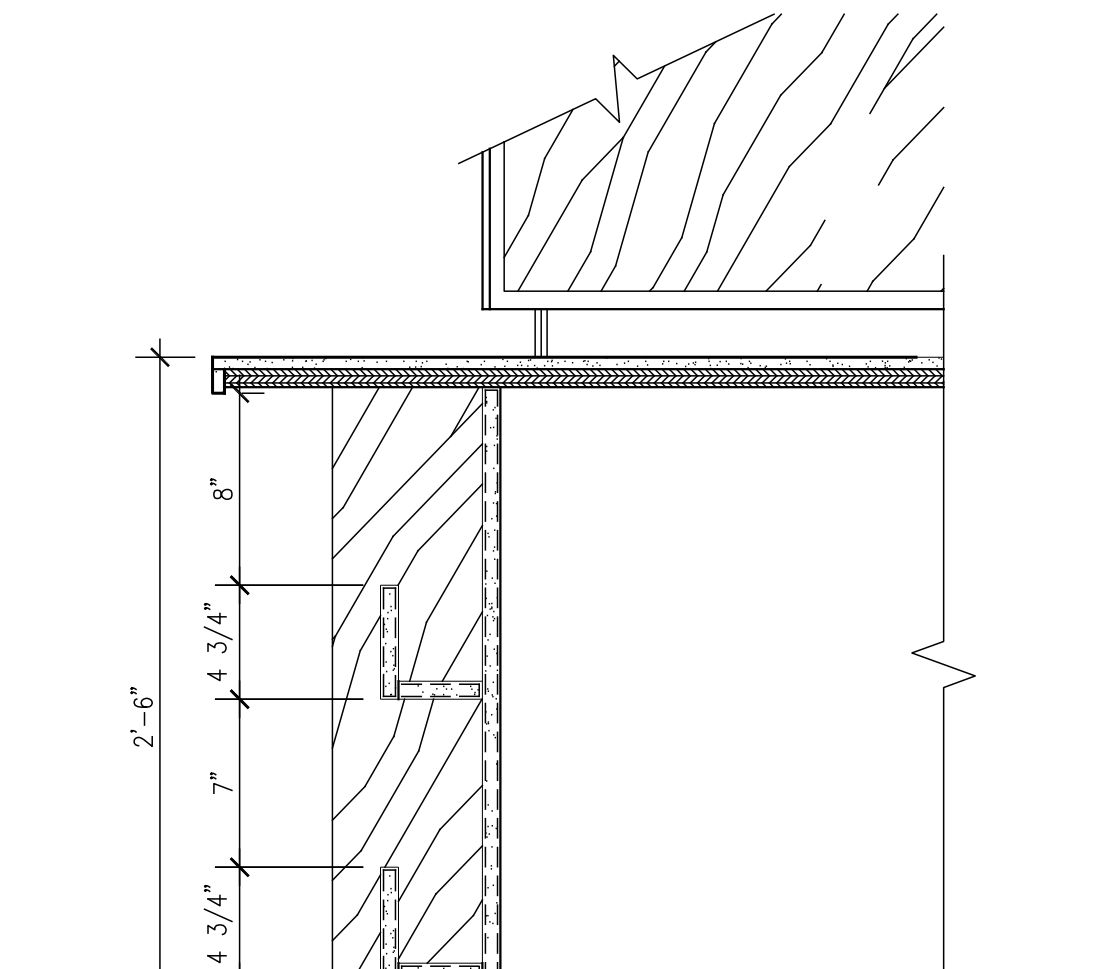
D4 SECTION - STAFF STATION
SCALE: 1 1/2" = 1'-0"



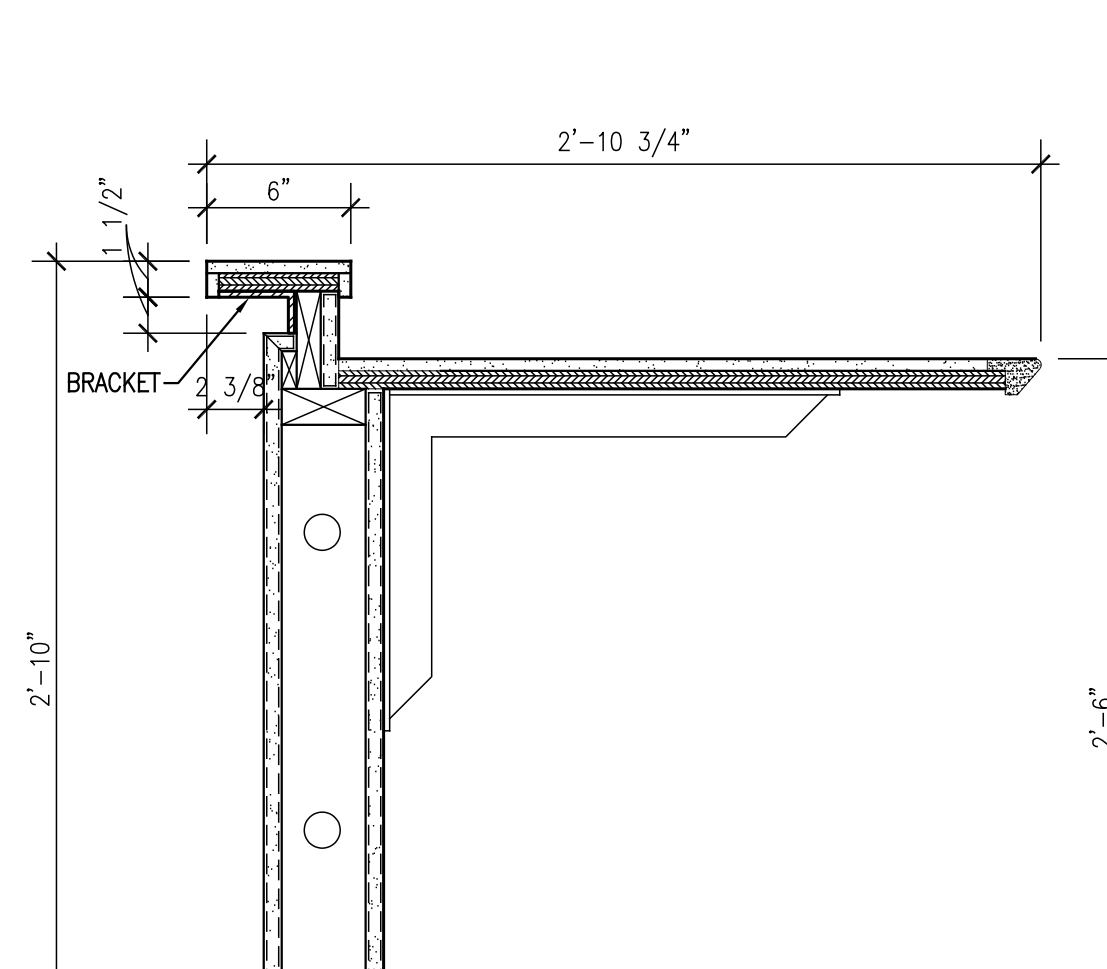
E3 ENLARGED ELEVATION - LDR STAFF STATION
SCALE: 3/4" = 1'-0"



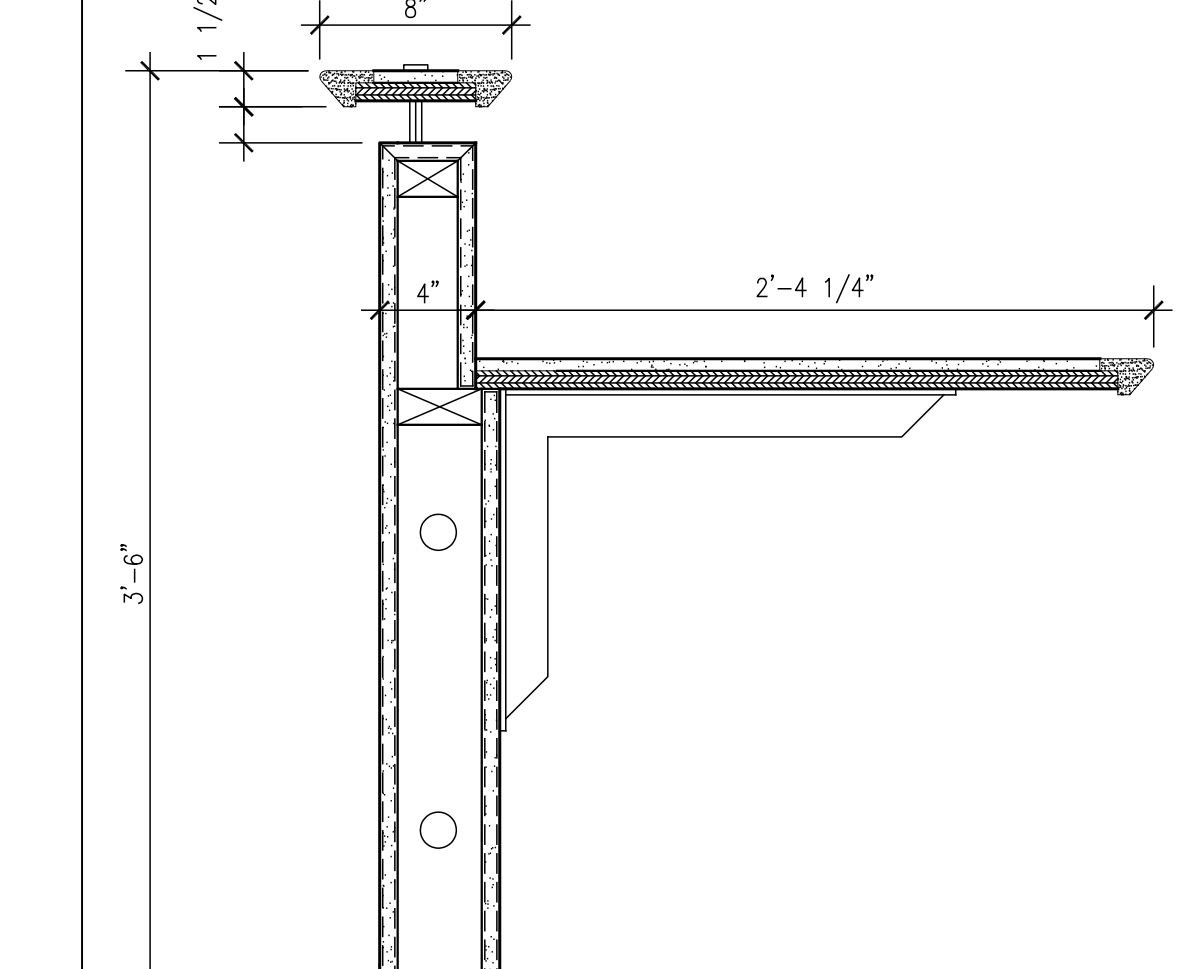
C4 ENLARGED ELEVATIONS
STAFF STATION/ NICU CORRIDOR
SCALE: 3/4" = 1'-0"



D4 SECTION - STAFF STATION
SCALE: 1 1/2" = 1'-0"



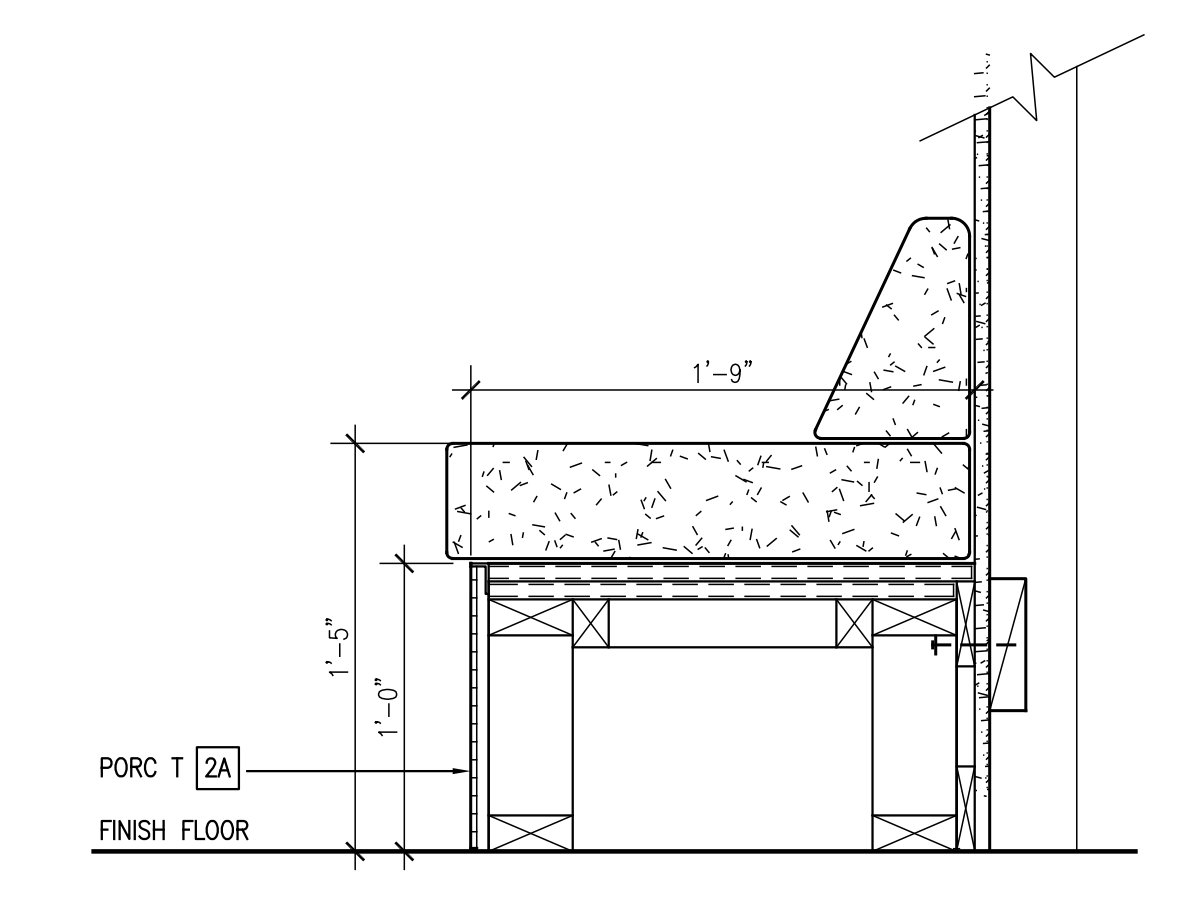
E4 SECTION - STAFF STATION
SCALE: 1 1/2" = 1'-0"



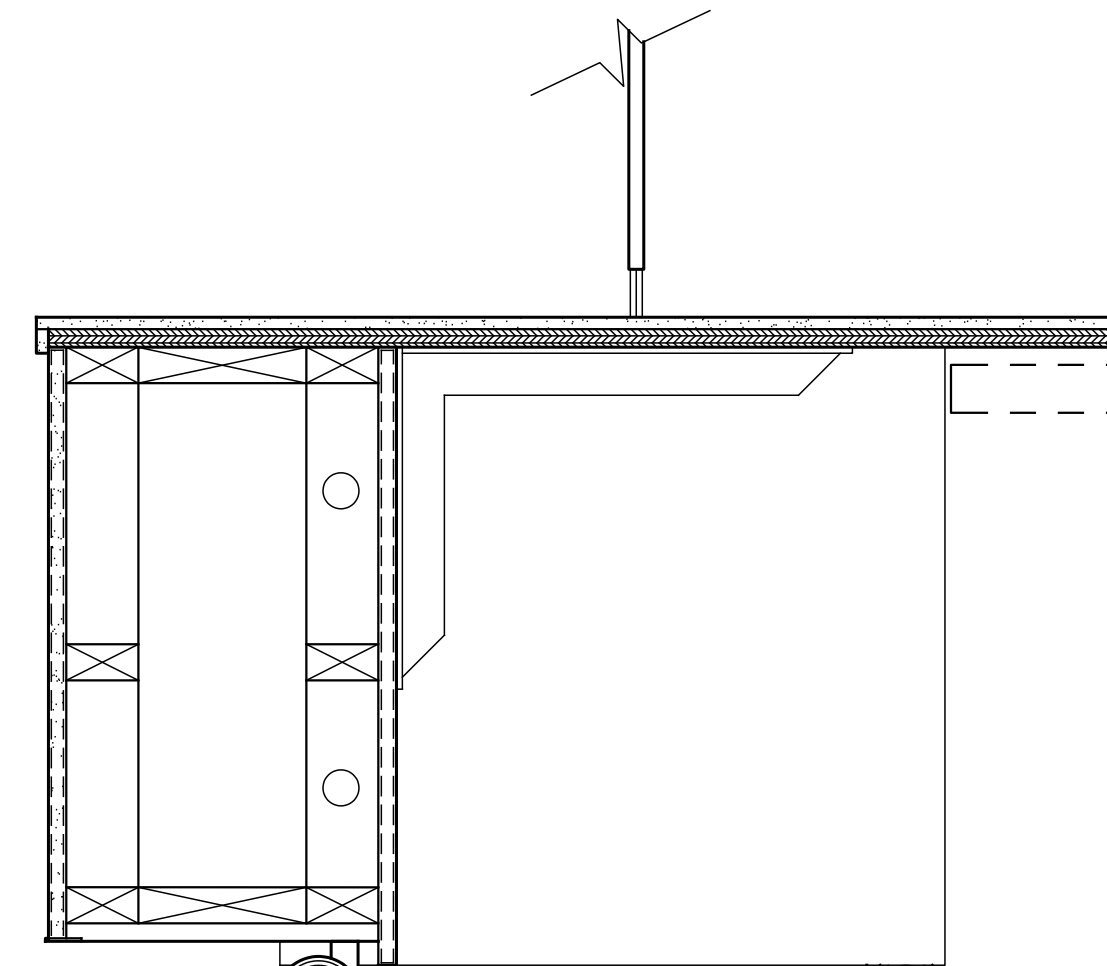
F4 SECTION - STAFF STATION
SCALE: 1 1/2" = 1'-0"



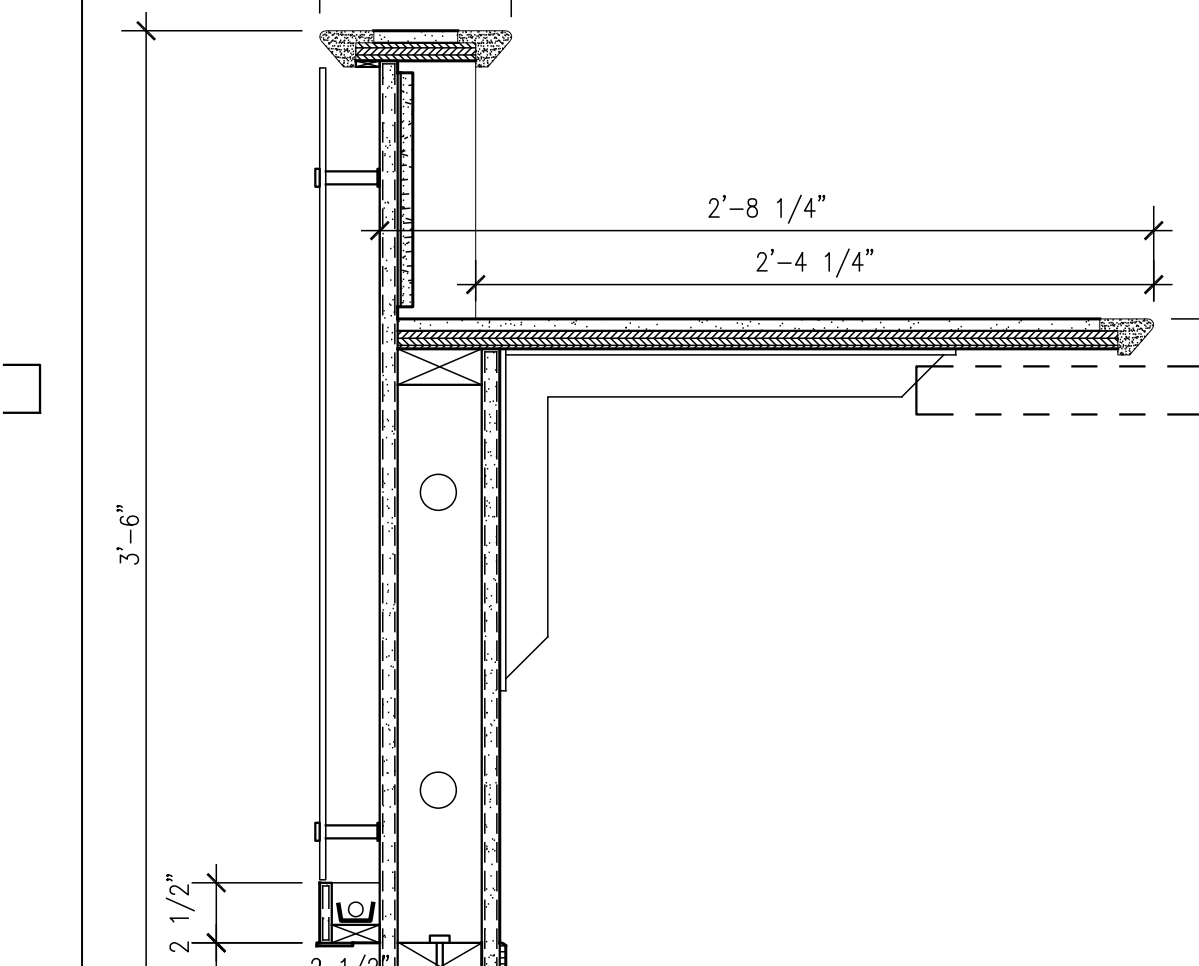
A4 INFANT WALL SECTION AT LDR
SCALE: 1" = 1'-0"



B5 BUILT-IN SOFA SECTION AT LDR
SCALE: 1 1/2" = 1'-0"

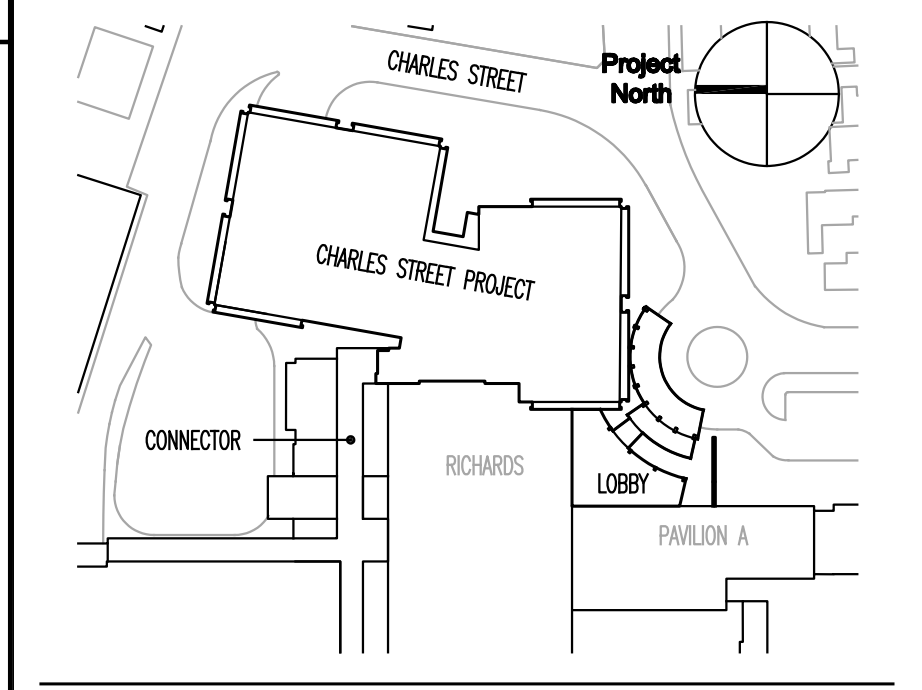


E5 SECTION - STAFF STATION
SCALE: 1 1/2" = 1'-0"



F5 SECTION - STAFF STATION
SCALE: 1 1/2" = 1'-0"

FOR PERMIT ONLY
NOT FOR CONSTRUCTION



TRO ARCHITECTURE PLANNING ENGINEERING INTERIOR DESIGN
The Ritchie Organization
80 Bridge Street
Newton, MA 02459-1196
617-552-9100

Maine Medical Center
Charles Street Project
Portland, Maine MMC Project No. 21841

CASEWORK DETAILS

Commission No.	4673	Date Issued	
Scale	AS NOTED	Sheet Number	
Drawn By	AD		
Approved By	JW		
Filename	4673AB12.dwg		
Copyright	© 2004	The Ritchie Organization	

A812