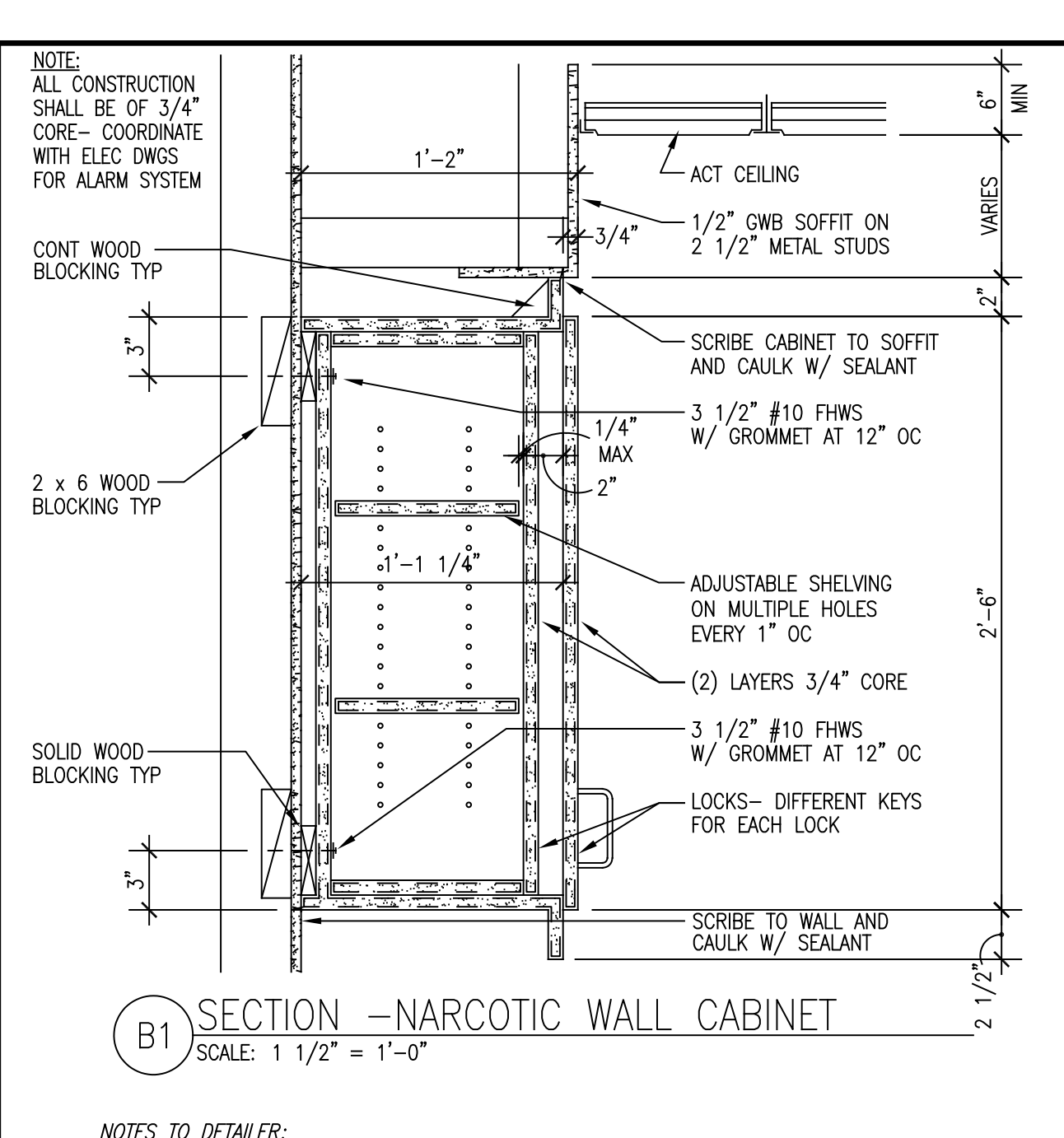
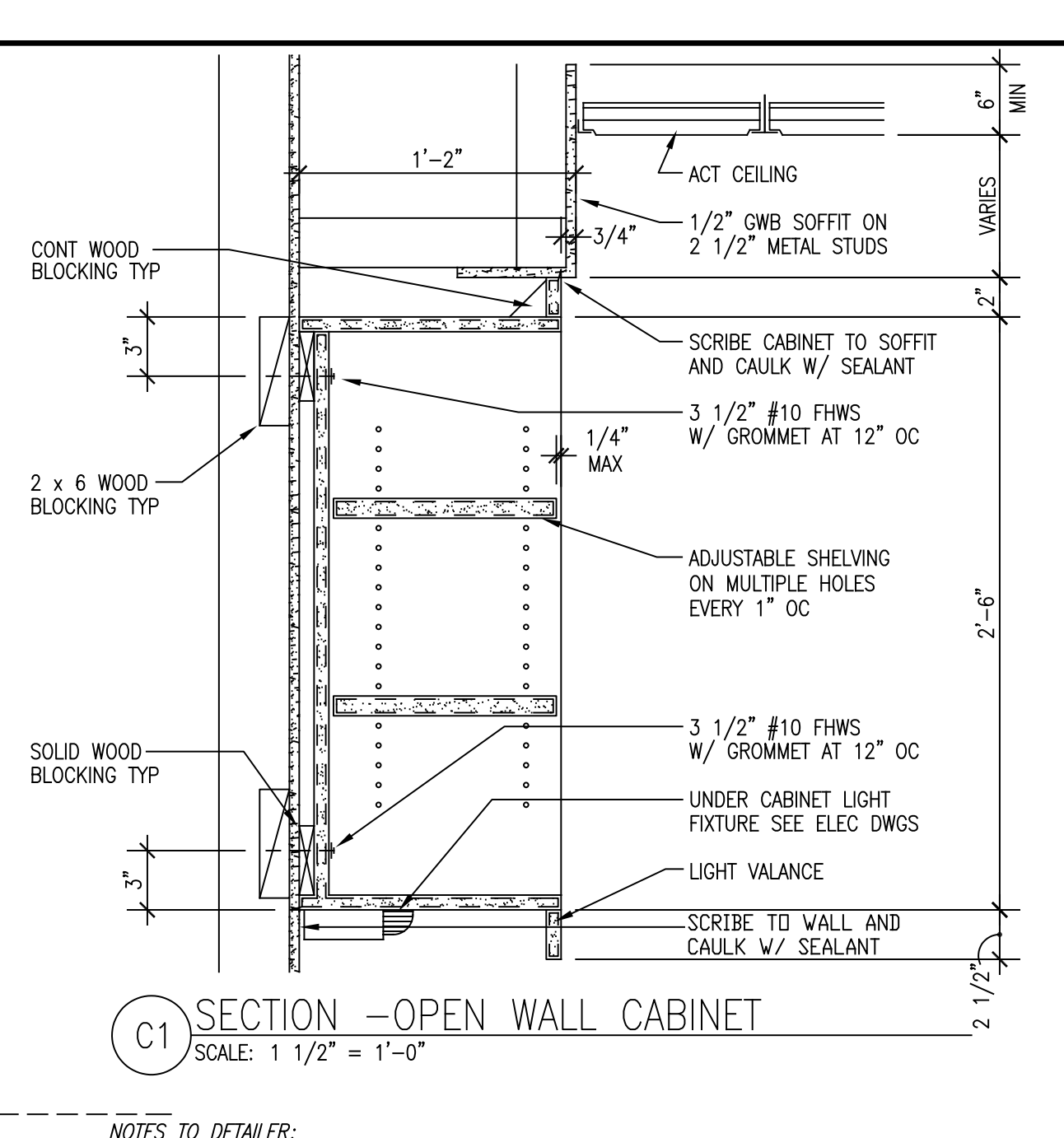


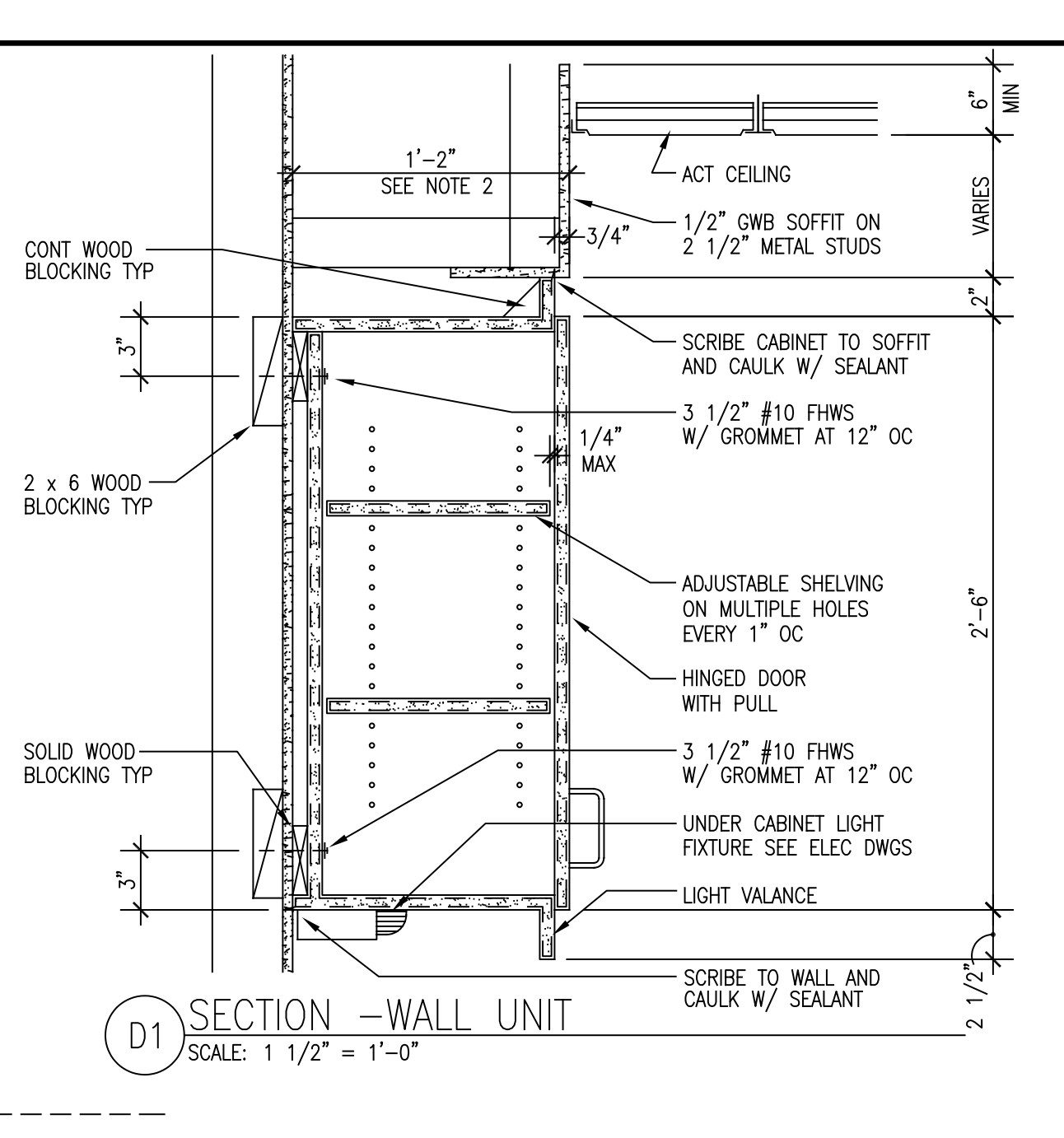
A1 SECTION - WALL UNIT WITH MICROWAVE SHELF
SCALE: 1 1/2" = 1'-0"



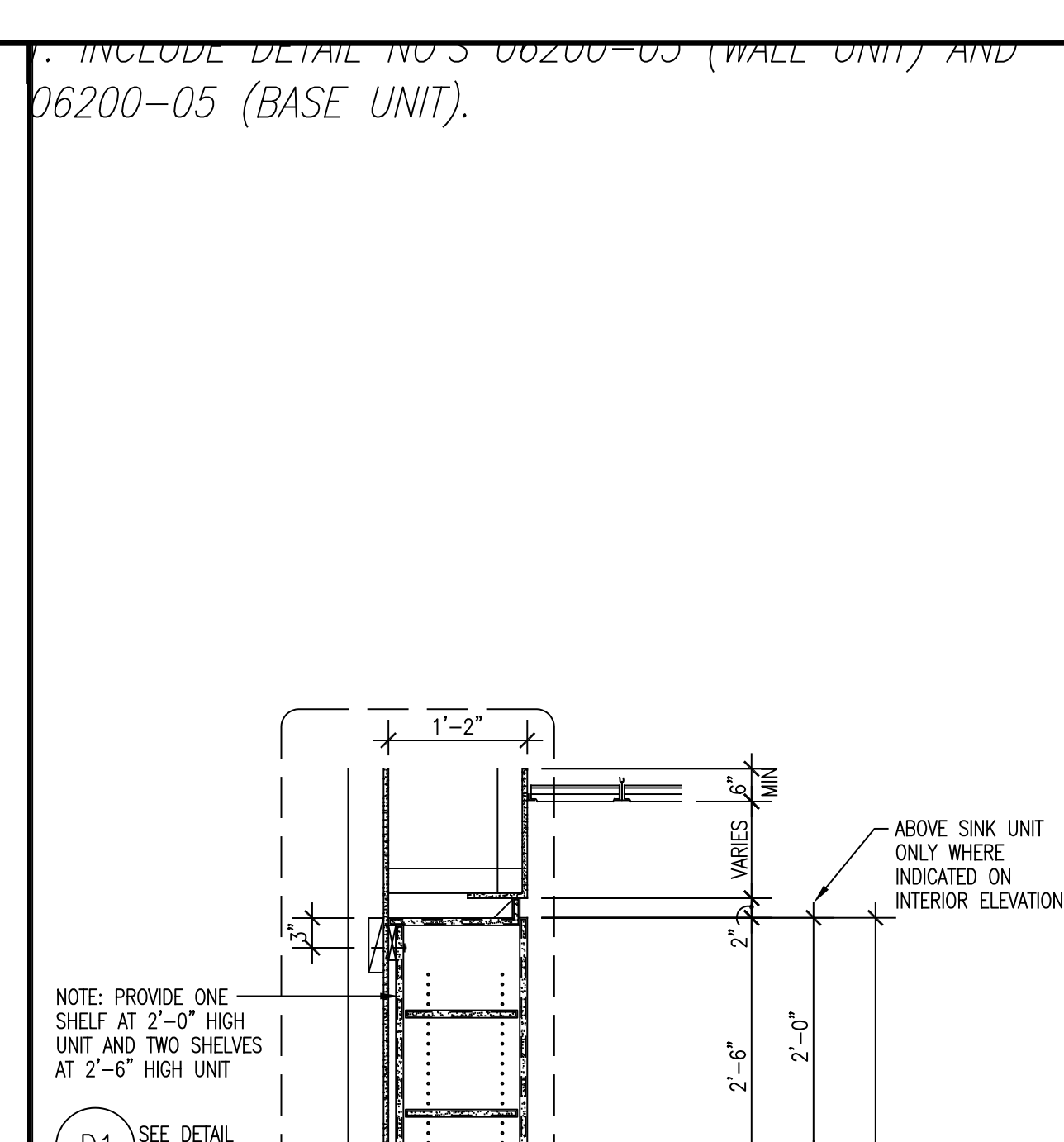
B1 SECTION - NARCOTIC WALL CABINET
SCALE: 1 1/2" = 1'-0"



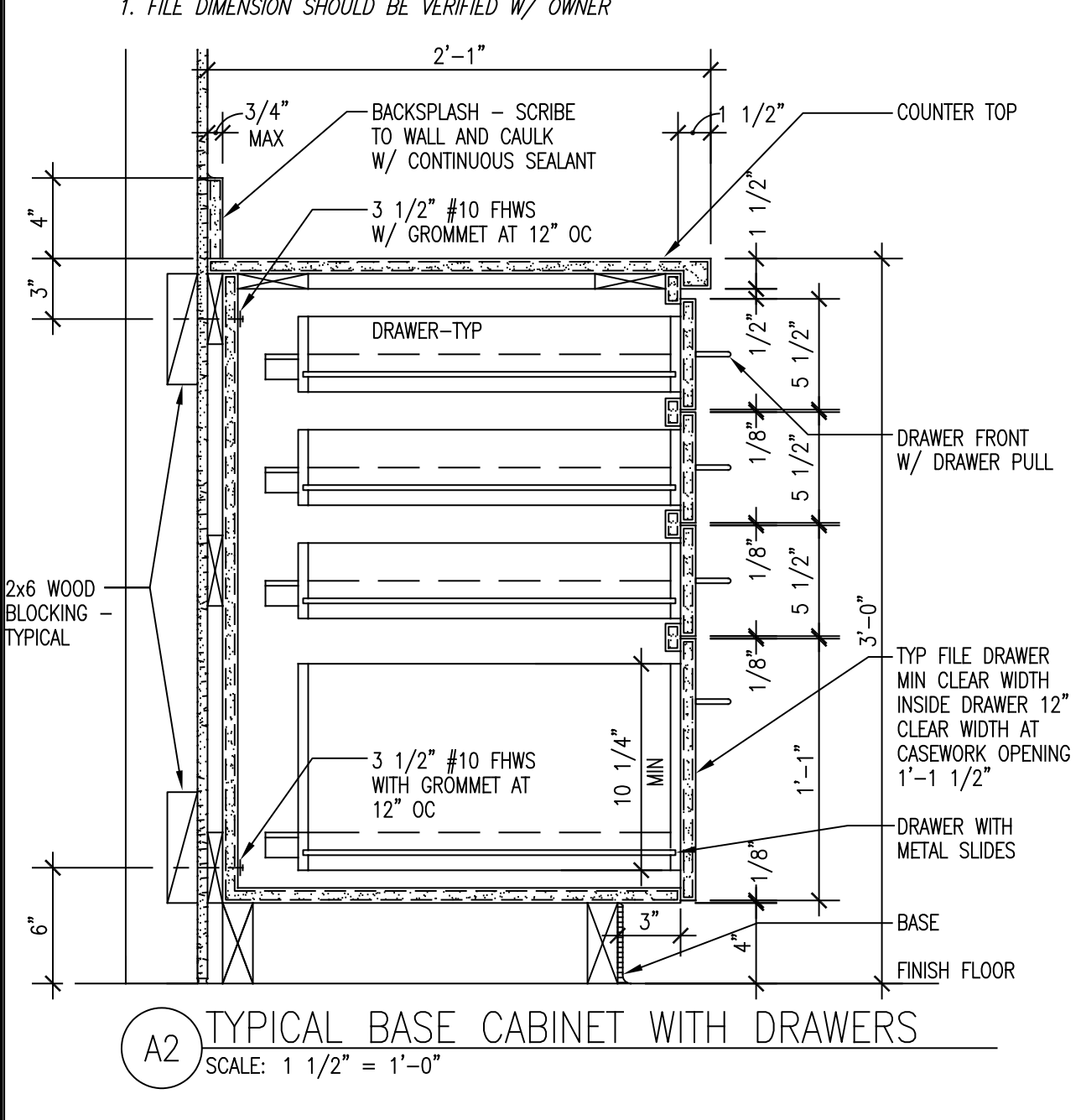
C1 SECTION - OPEN WALL CABINET
SCALE: 1 1/2" = 1'-0"



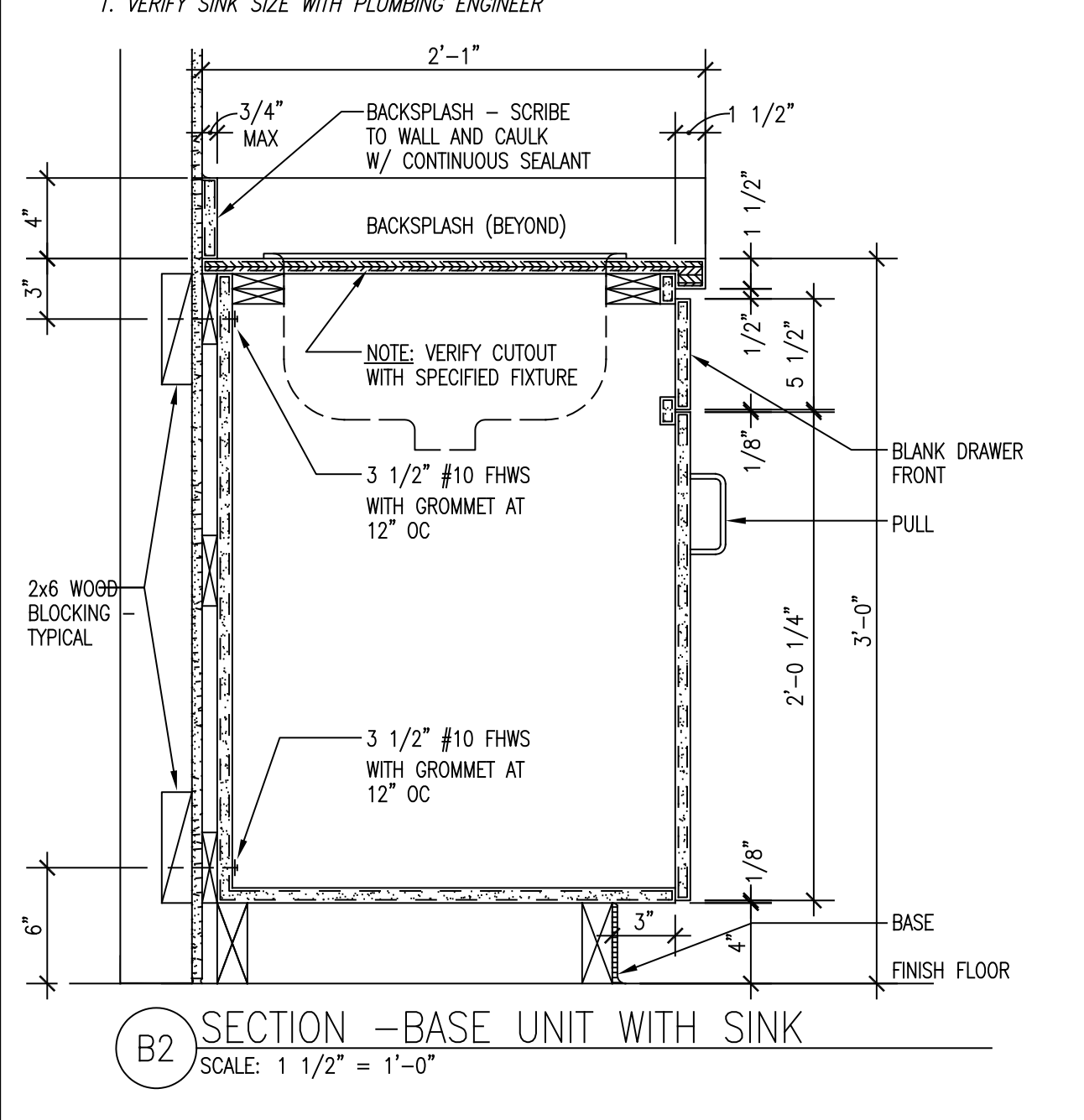
D1 SECTION - WALL UNIT
SCALE: 1 1/2" = 1'-0"



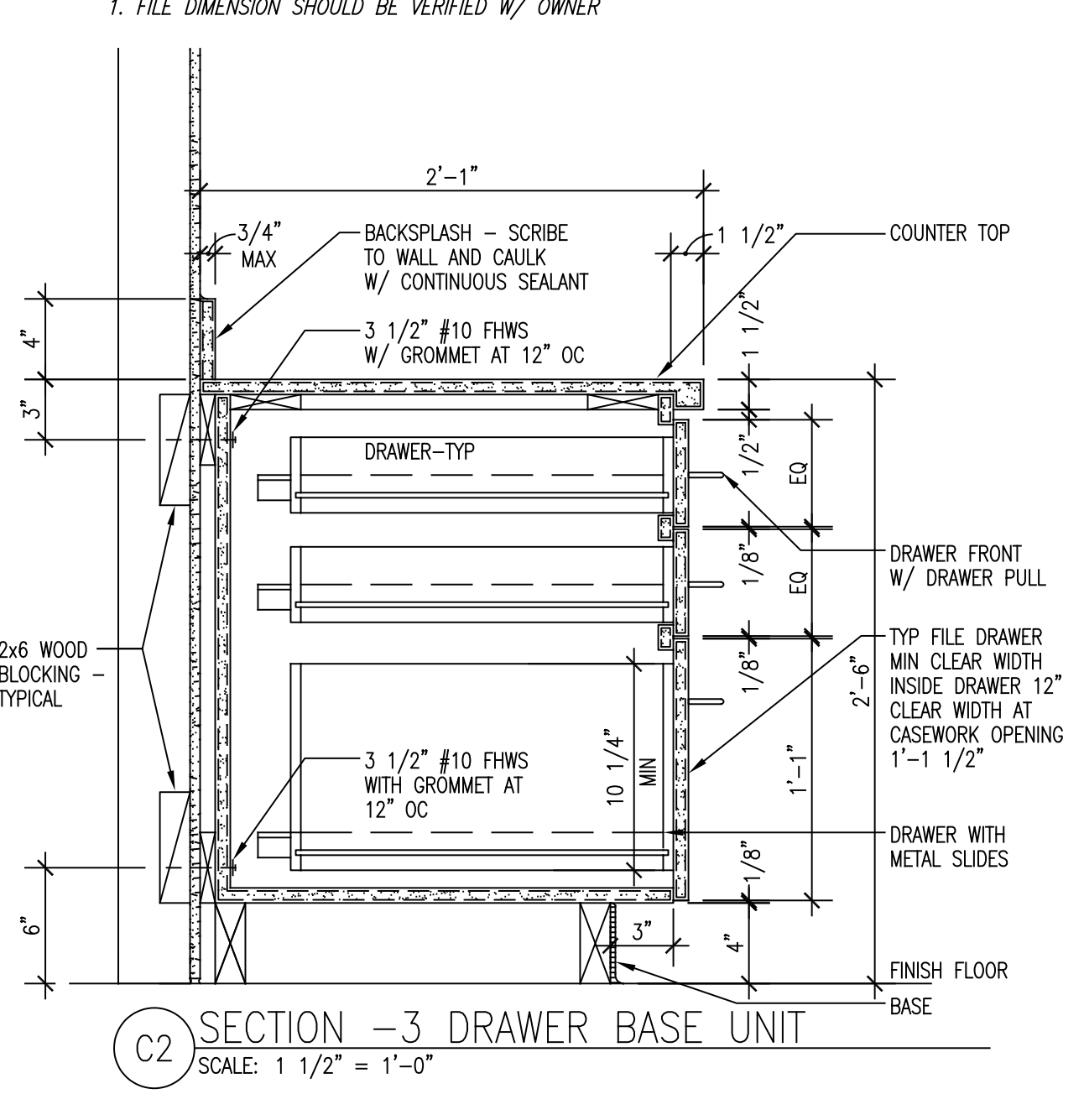
F2 SECTION - AT BASE WALL UNITS
SCALE: 3/4" = 1'-0"



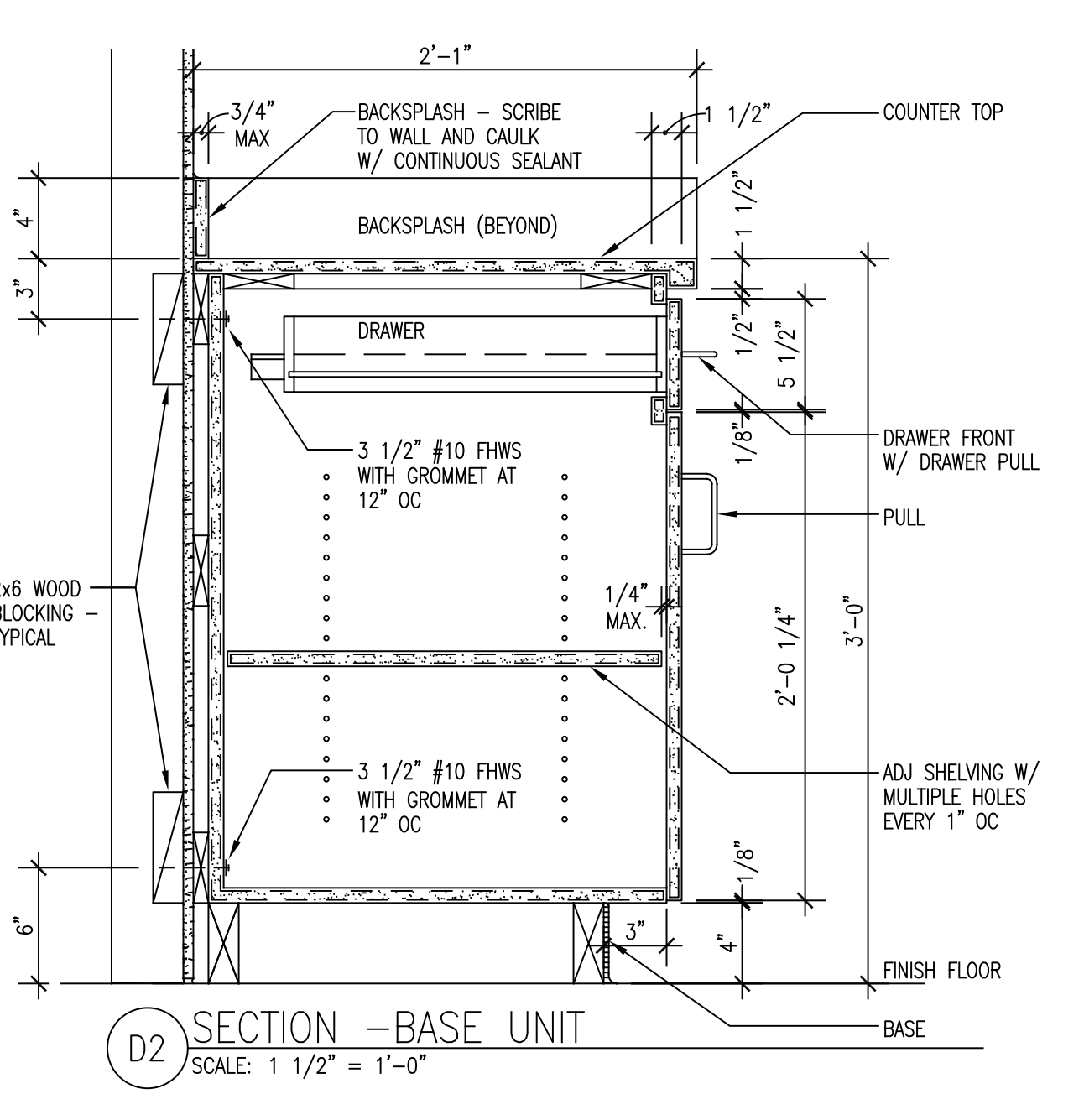
A2 TYPICAL BASE CABINET WITH DRAWERS
SCALE: 1 1/2" = 1'-0"



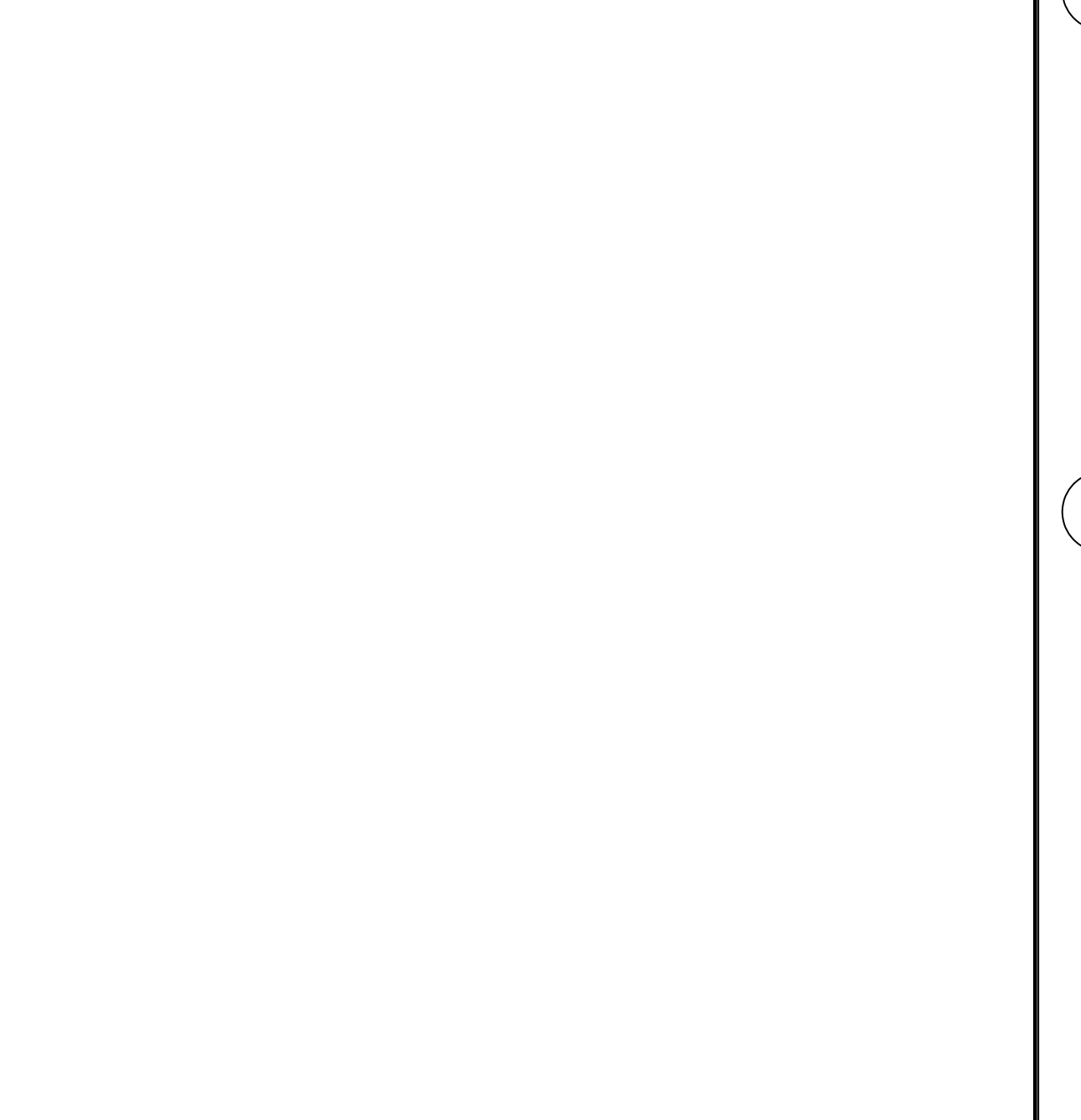
B2 SECTION - BASE UNIT WITH SINK
SCALE: 1 1/2" = 1'-0"



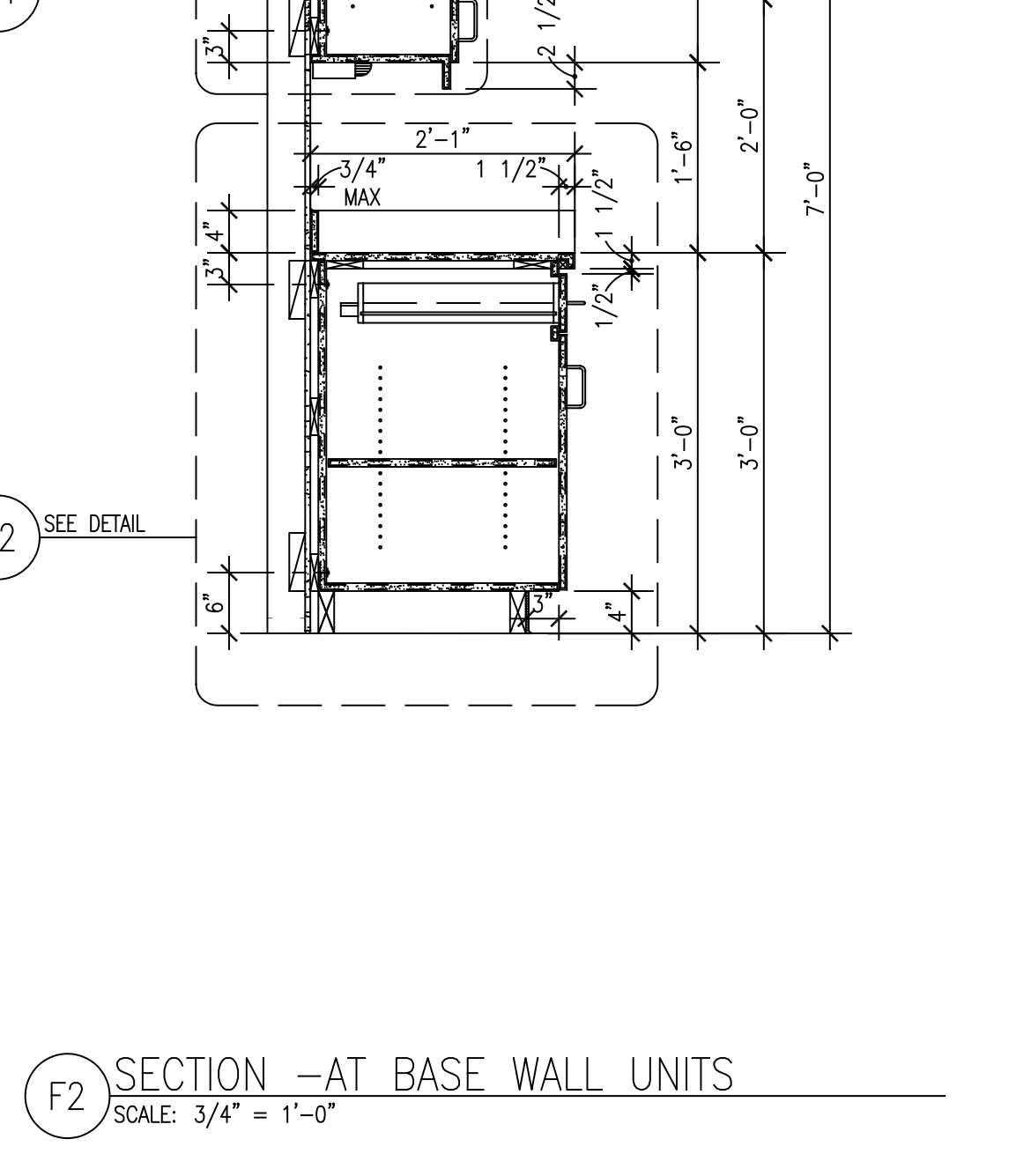
C2 SECTION - 3 DRAWER BASE UNIT
SCALE: 1 1/2" = 1'-0"



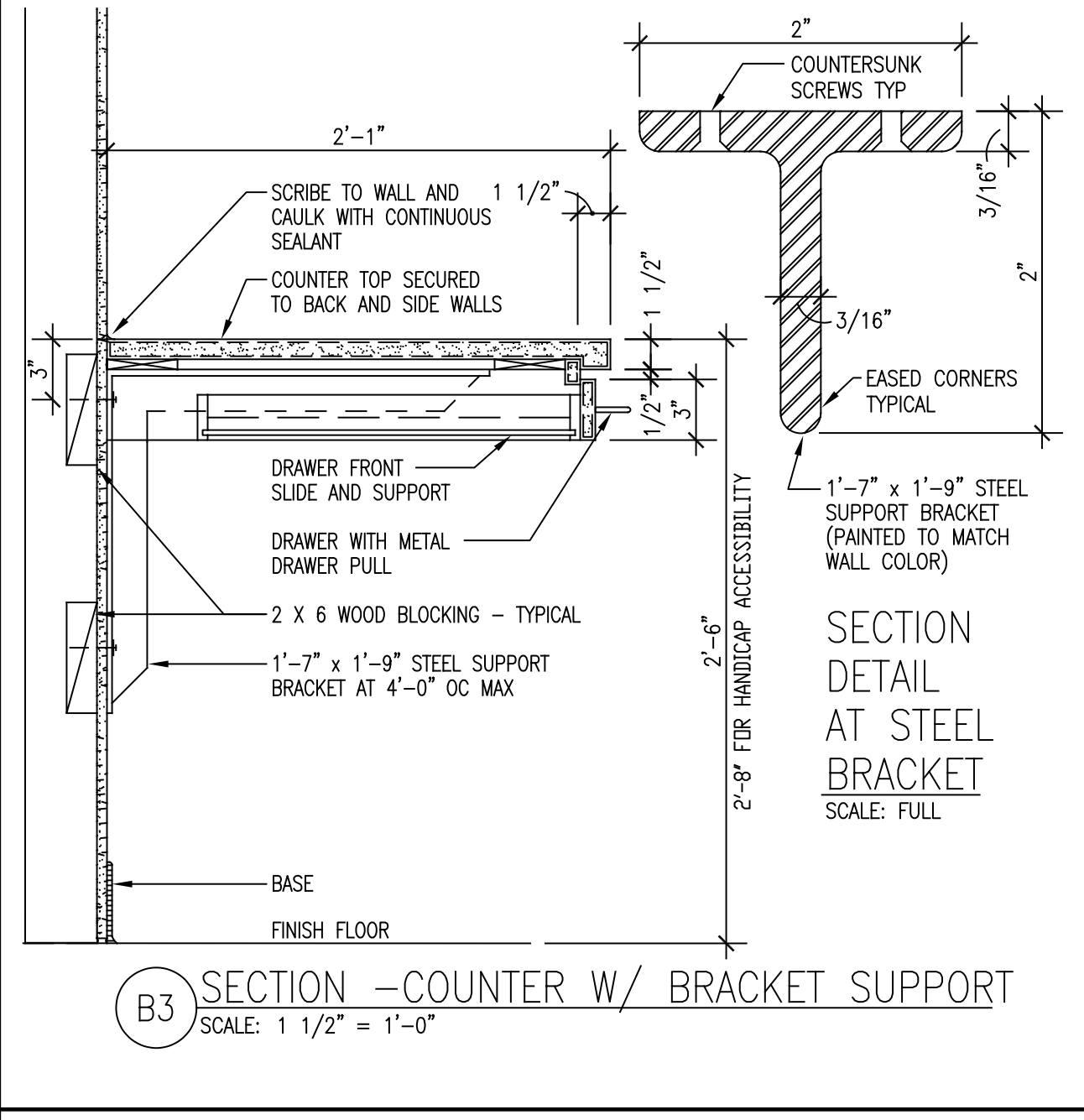
D2 SECTION - BASE UNIT
SCALE: 1 1/2" = 1'-0"



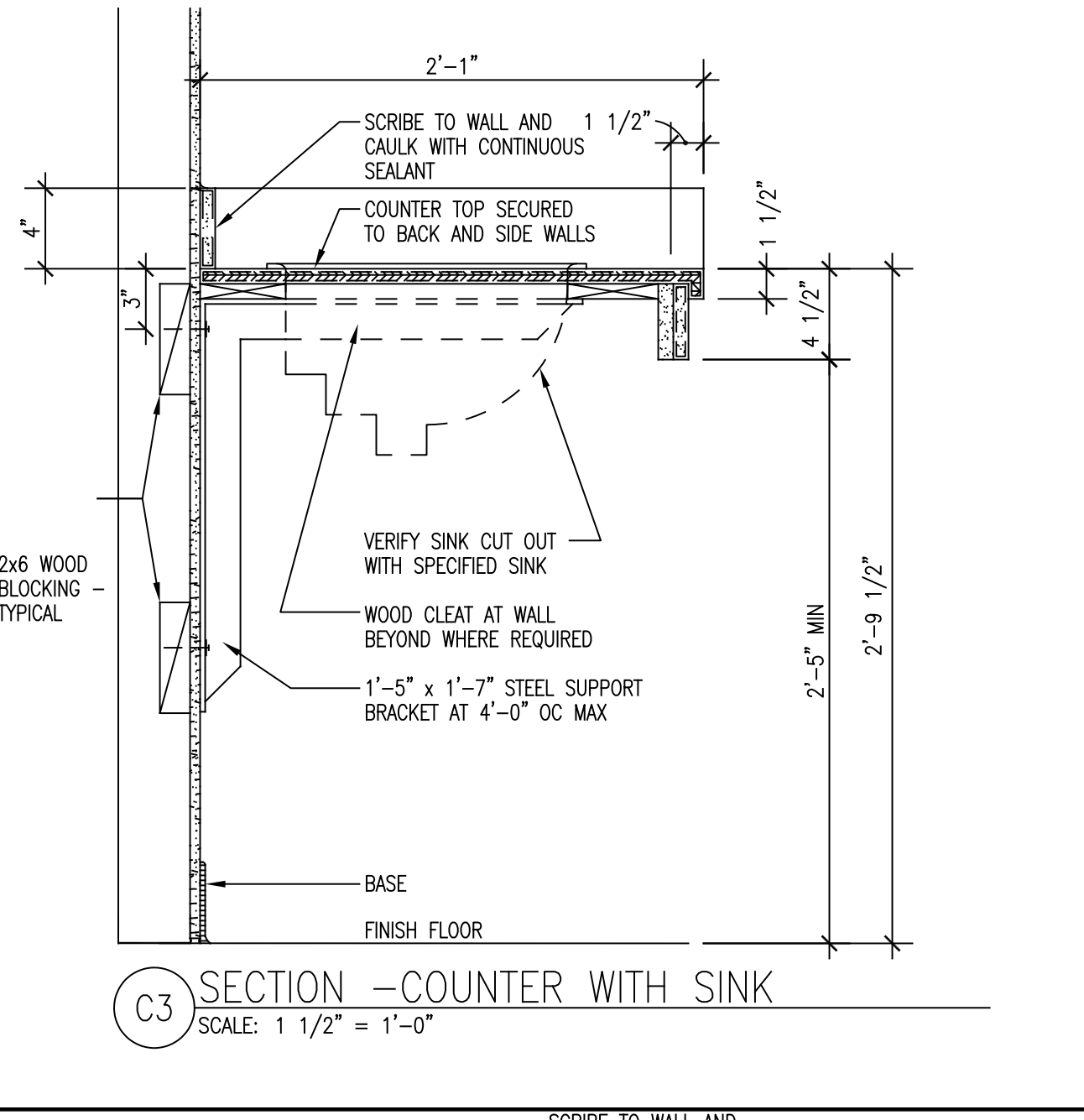
PLAN DETAIL



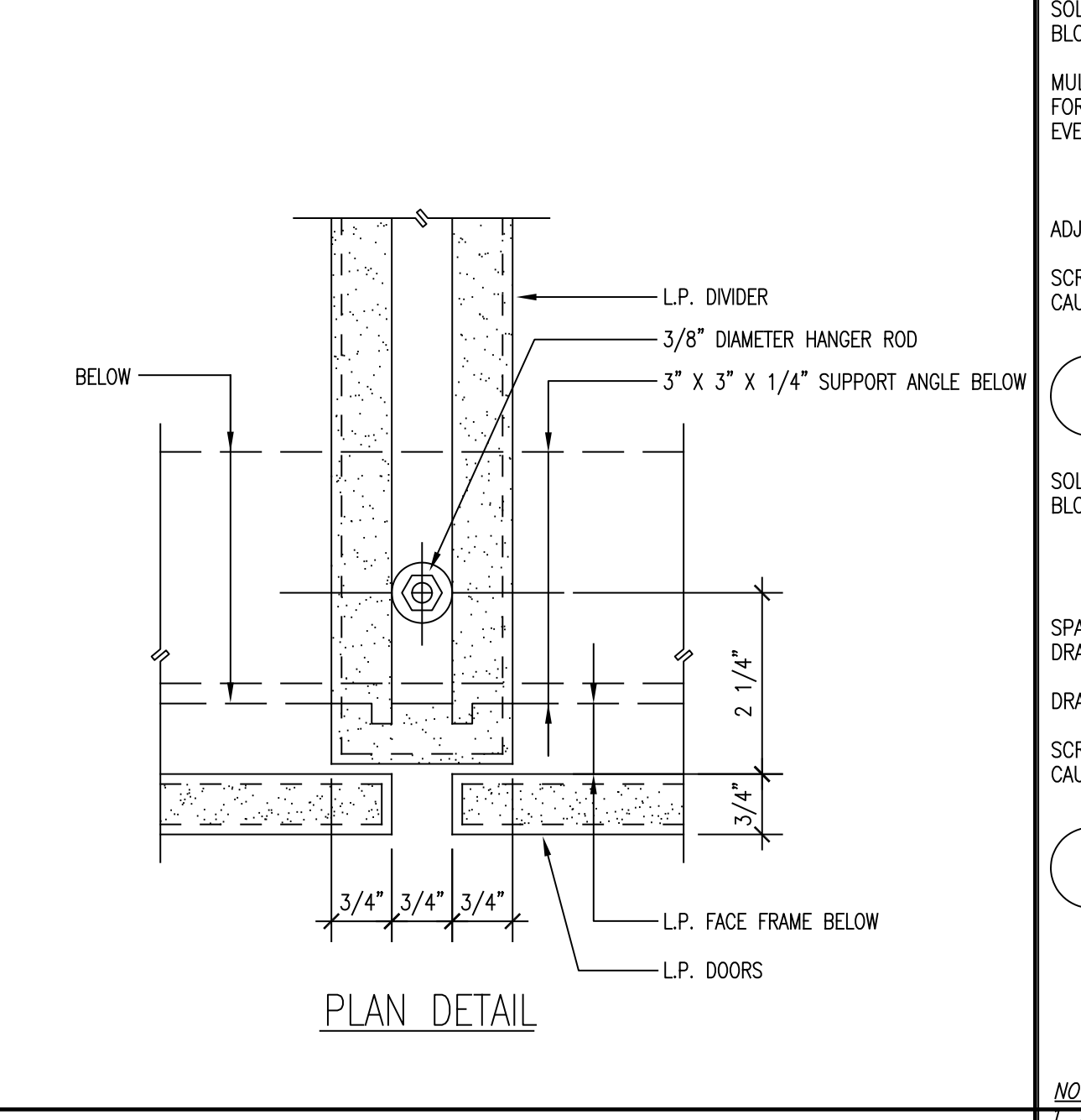
E3 TYPICAL CASEWORK SCRIBE DETAIL
SCALE: 1 1/2" = 1'-0"



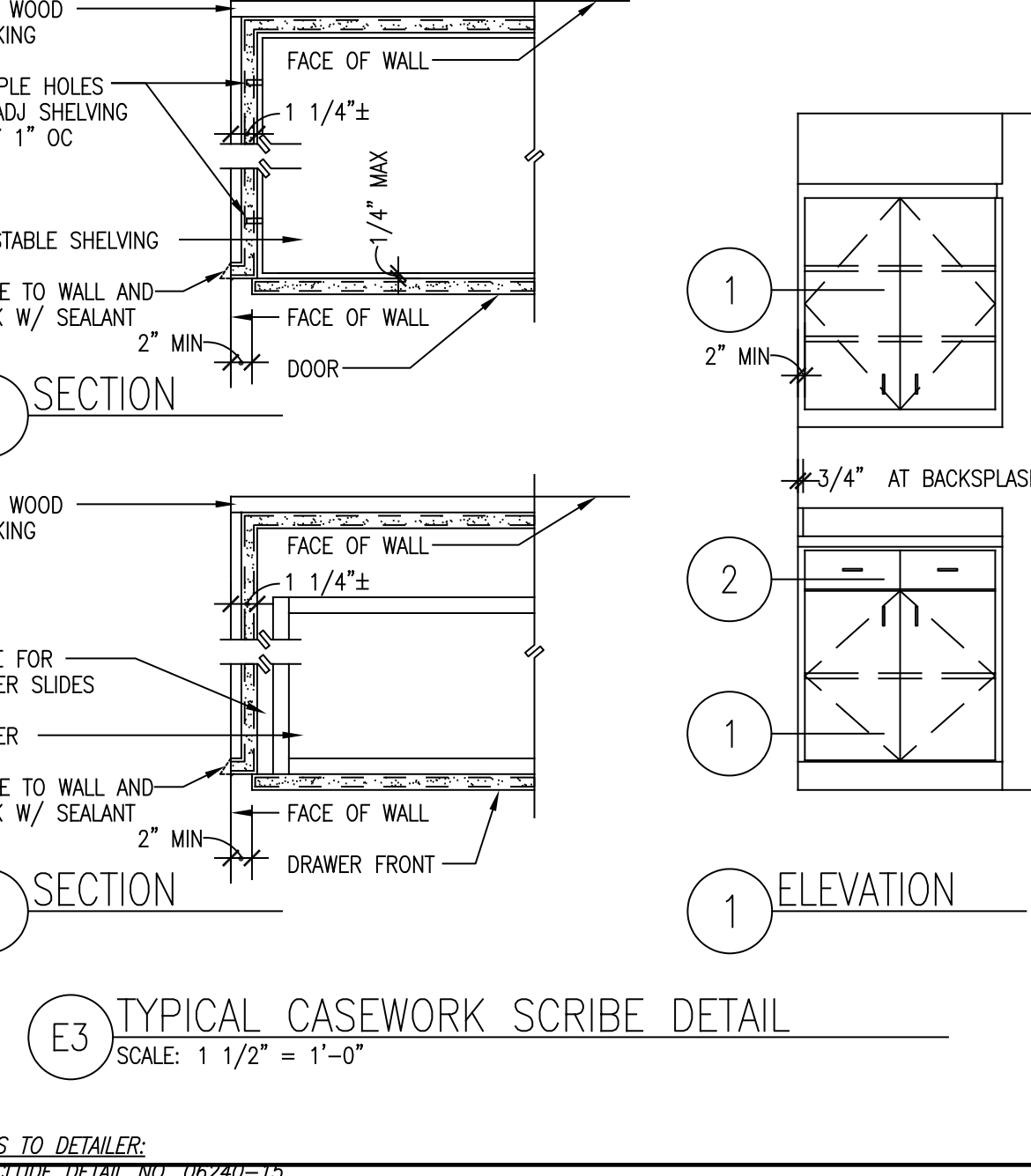
B3 SECTION - COUNTER W/ BRACKET SUPPORT
SCALE: 1 1/2" = 1'-0"



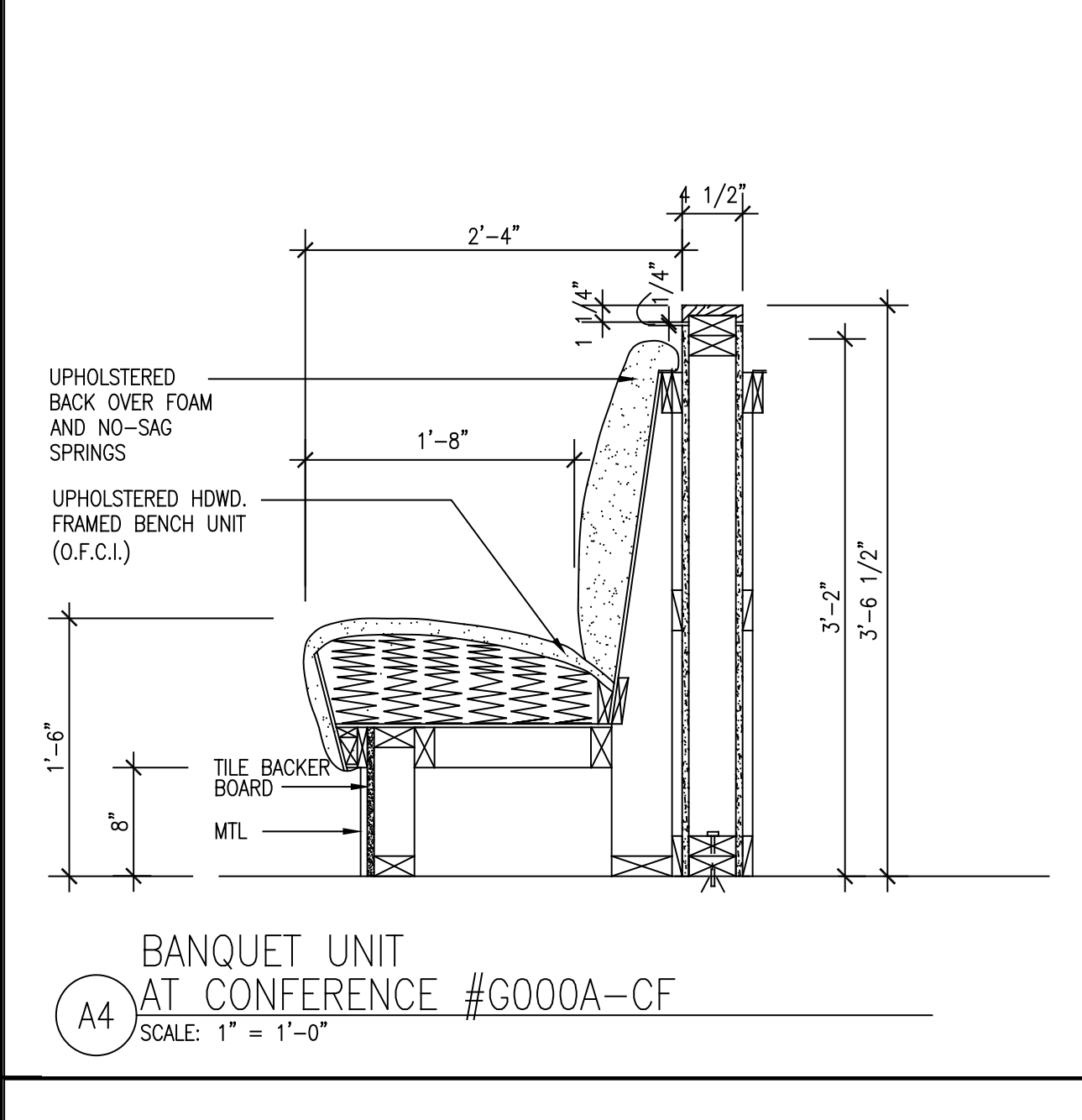
C3 SECTION - COUNTER WITH SINK
SCALE: 1 1/2" = 1'-0"



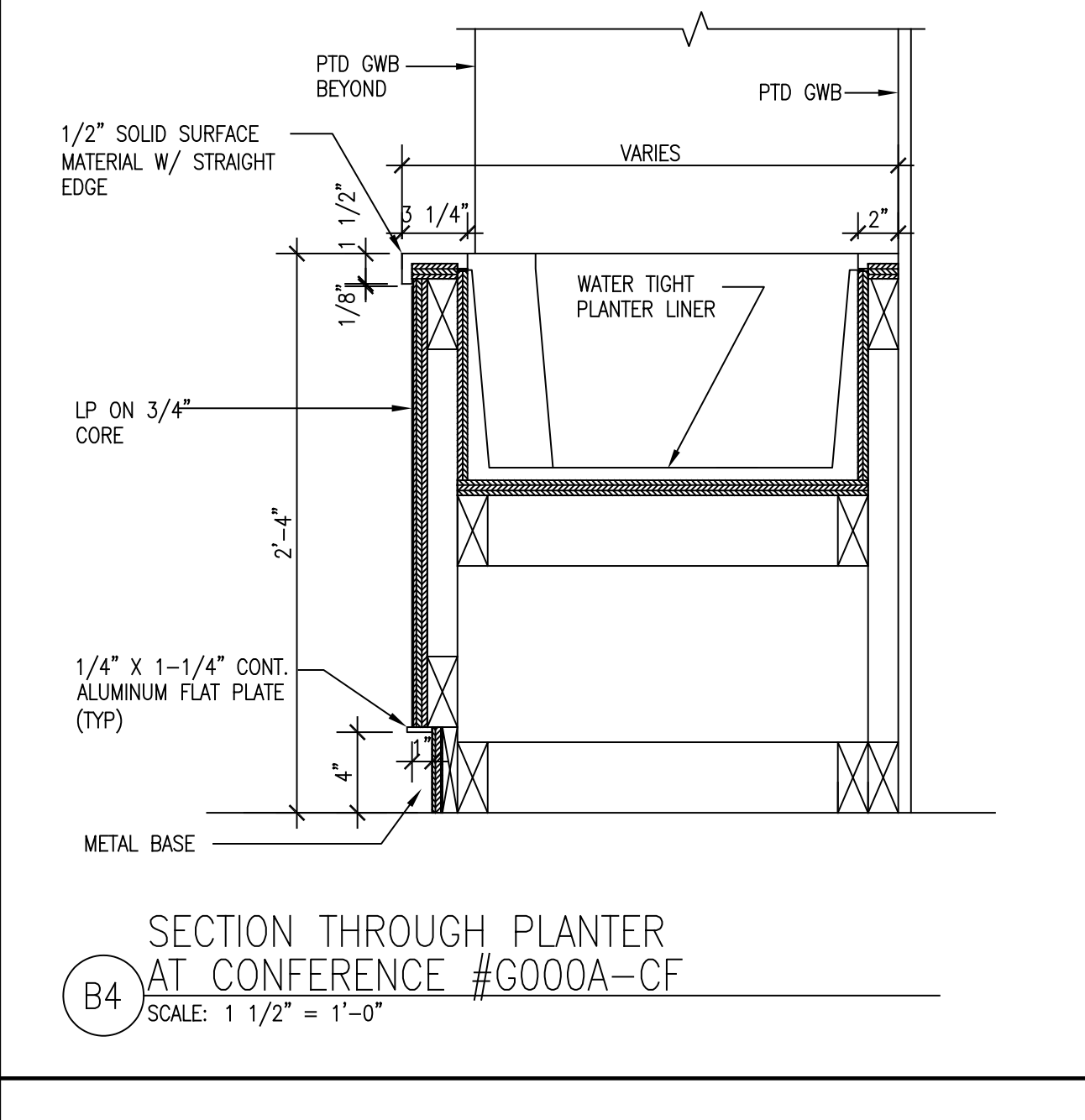
E4 SECTION
LITTER/WHEELCHAIR/CART ALCOVE CASEWORK DETAILS
SCALE: 6" = 1'-0"



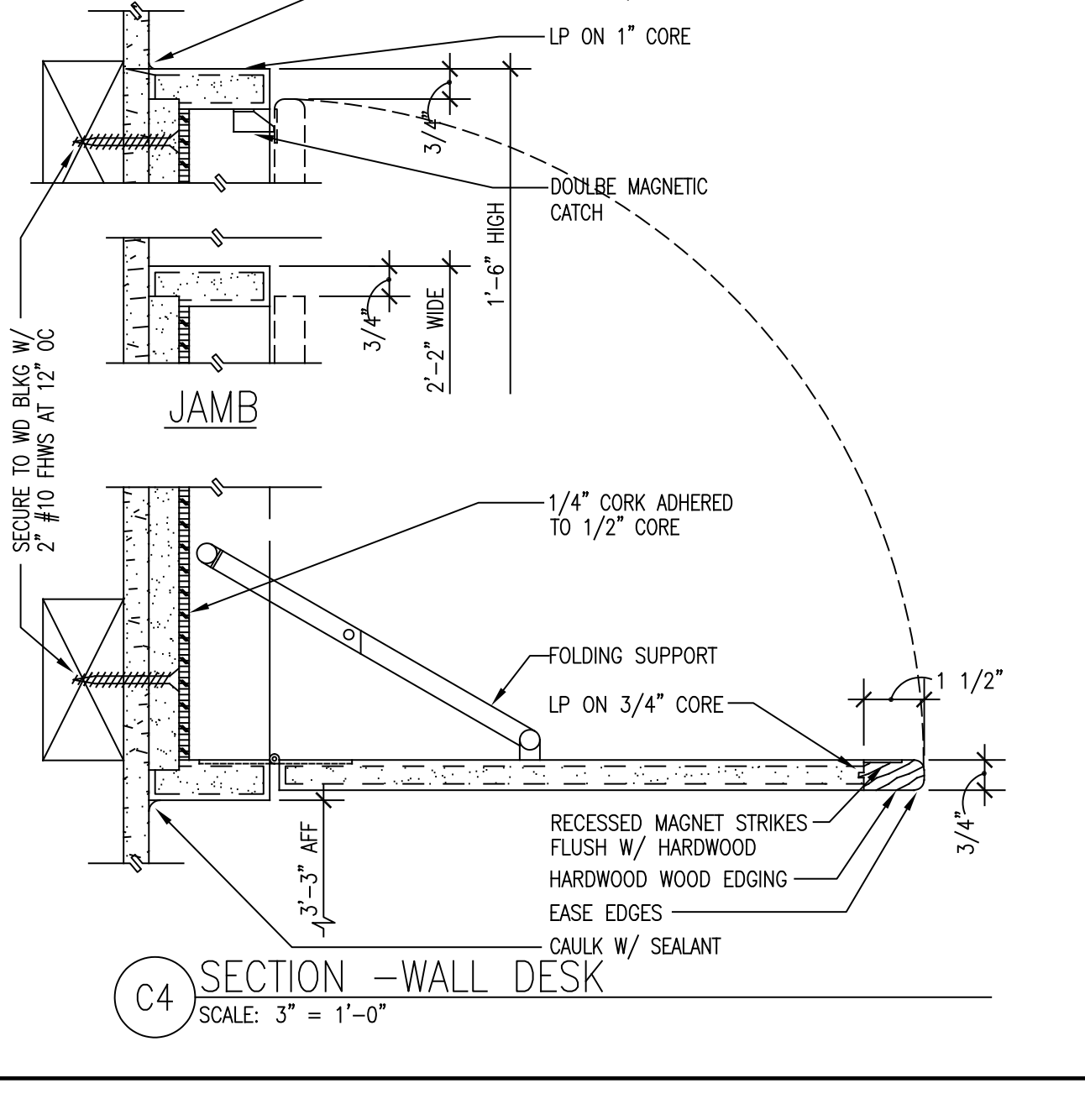
F4 SECTION
LITTER/WHEELCHAIR/CART ALCOVE WITH CASEWORK
SCALE: 1/2" = 1'-0"



A4 BANQUET UNIT AT CONFERENCE #G000A-CF
SCALE: 1" = 1'-0"



B4 SECTION THROUGH PLANTER AT CONFERENCE #G000A-CF
SCALE: 1 1/2" = 1'-0"

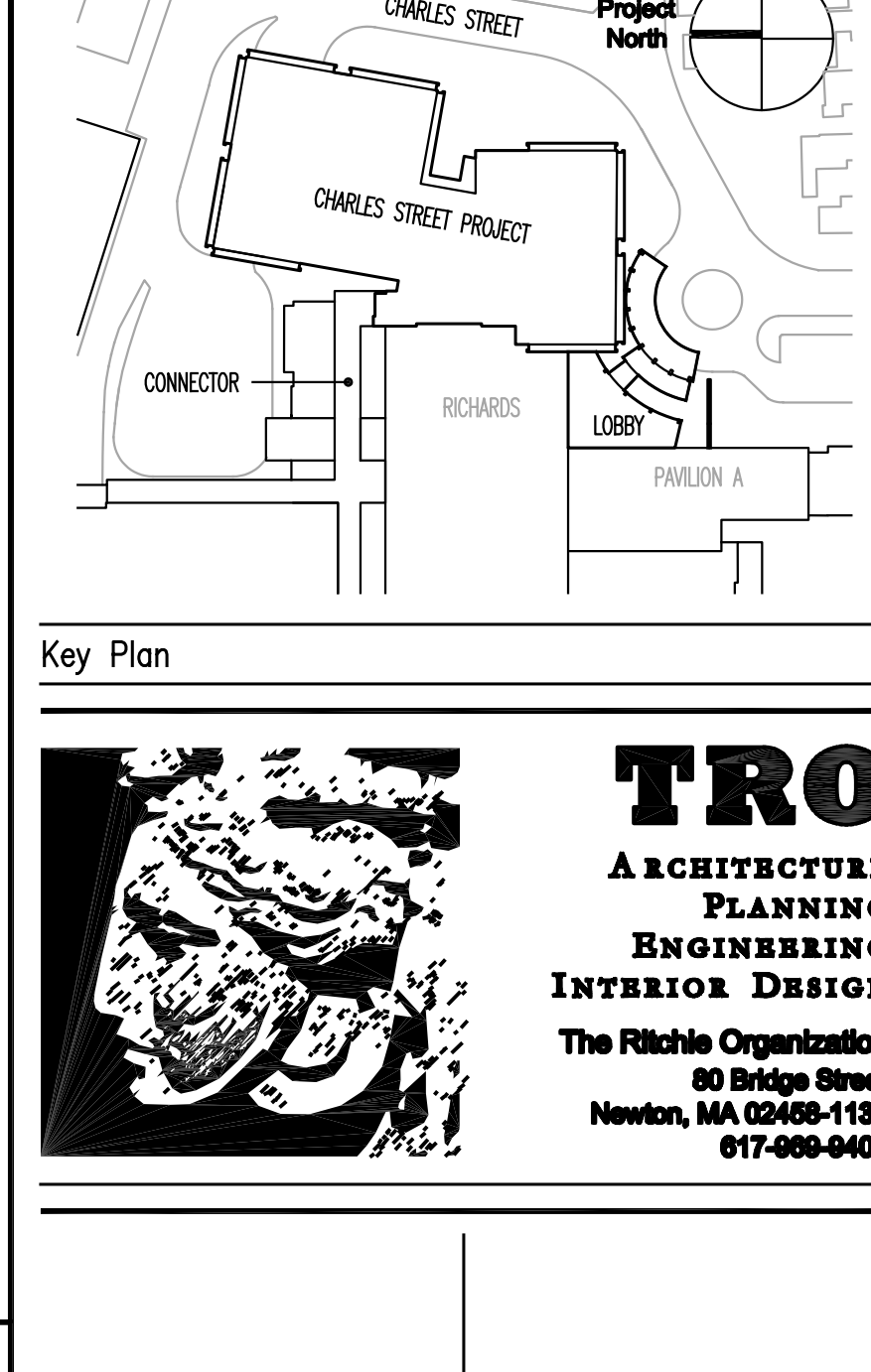


C4 SECTION - WALL DESK
SCALE: 3" = 1'-0"

General Notes:
1. INCLUDE DETAIL NOS 00200-03 (WALL UNIT) AND 06200-05 (BASE UNIT).

NOTE: PROVIDE ONE SHELF AT 2'-0" HIGH UNIT AND TWO SHELVES AT 2'-6" HIGH UNIT

MARK ISSUE DATE DESCRIPTION
FOR PERMIT ONLY
NOT FOR CONSTRUCTION
PERMIT 09/24/04 PERMIT SET - NOT FOR CONSTRUCTION
Issue Log



Maine Medical Center
Charles Street Project
Portland, Maine MMC Project No. 21841
Drawing Title
CASEWORK DETAILS
Commission No. 4673 Date Issued
Scale AS NOTED Sheet Number
Drawn By JW
Approved By RA
Filename 4673A811.dwg
Copyright © 2004 The Rhode Organization
A811