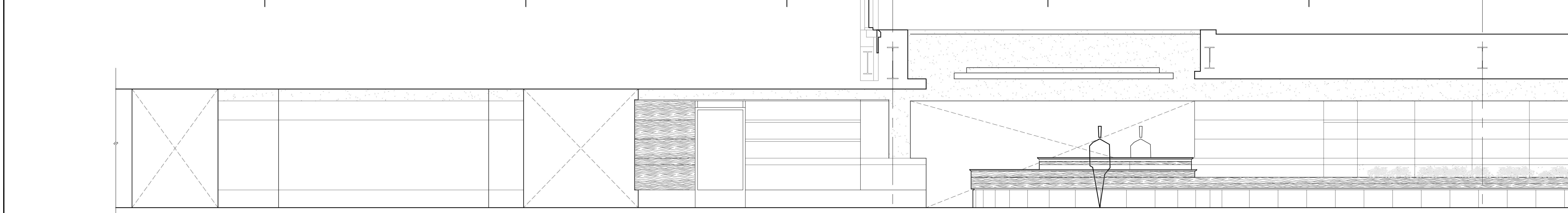


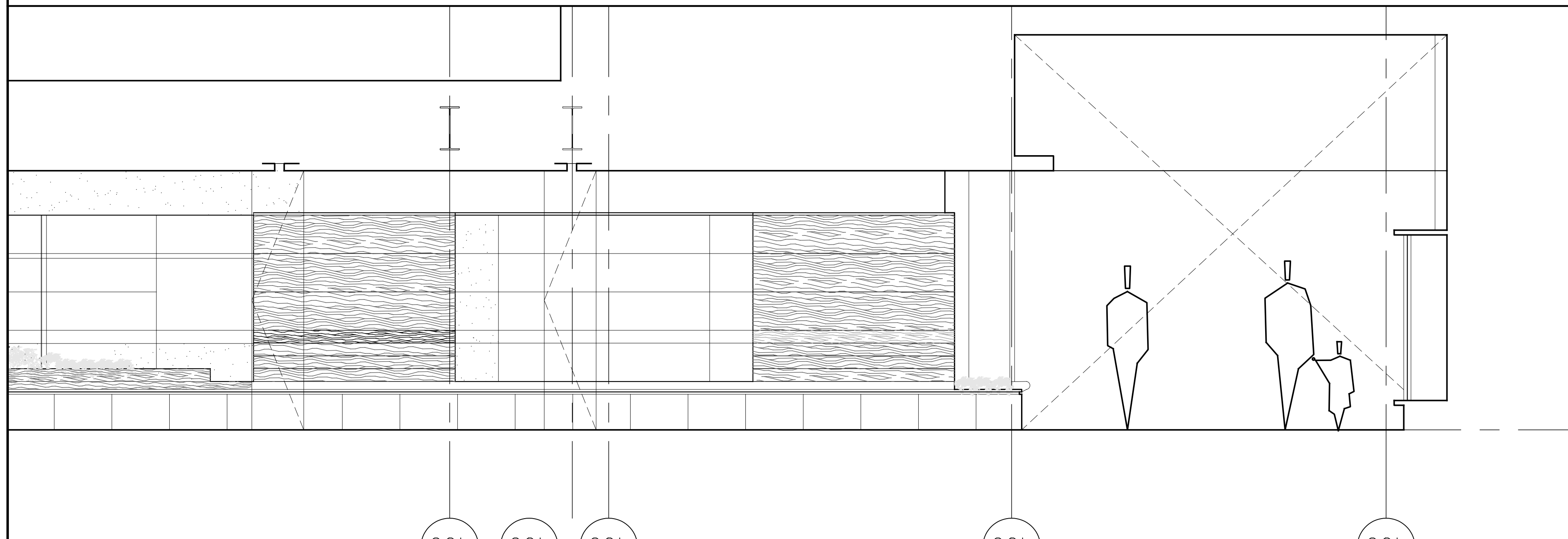
General Notes:

1 MAIN LOBBY #GXXX-LO  
SCALE: 3/8" = 1'-0"

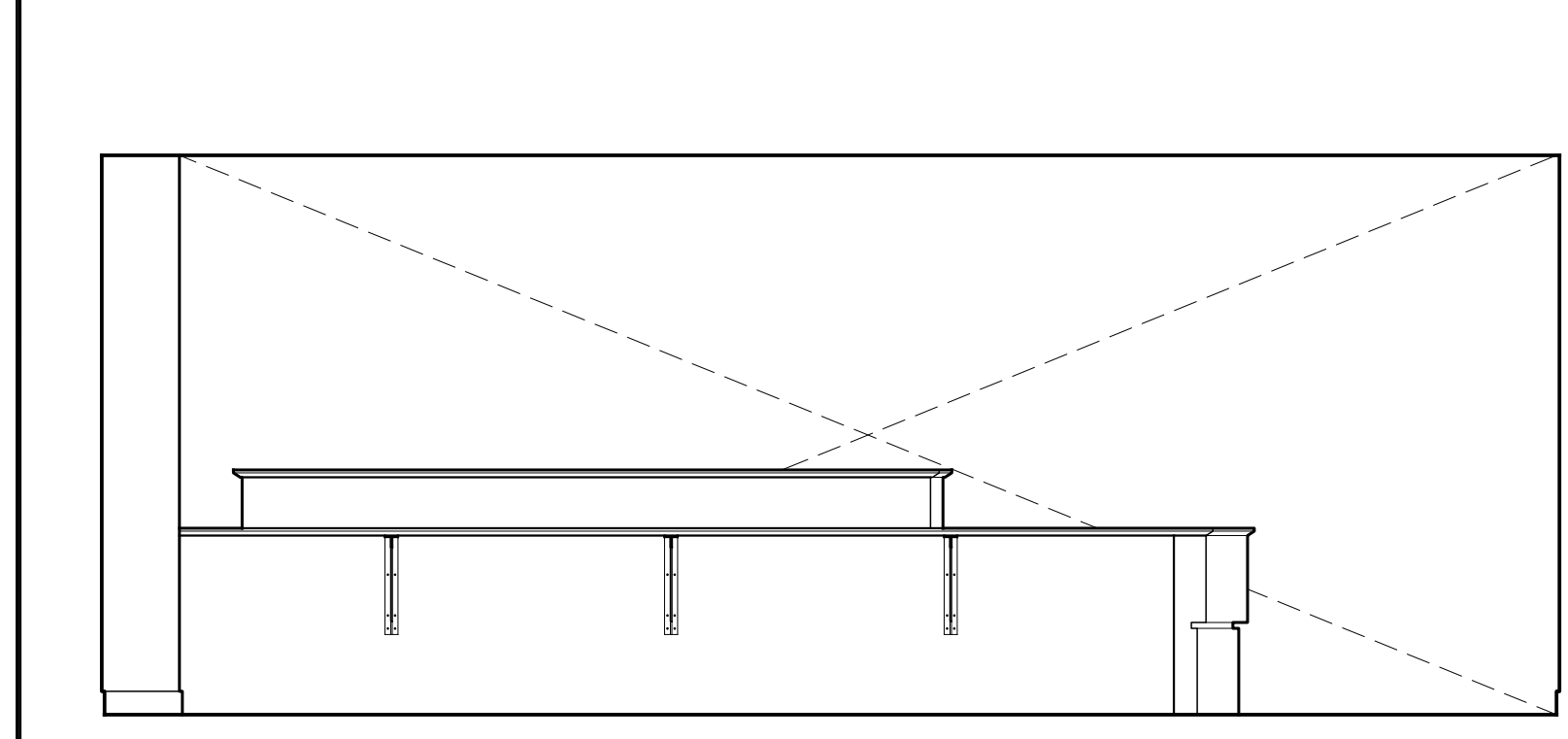


COL

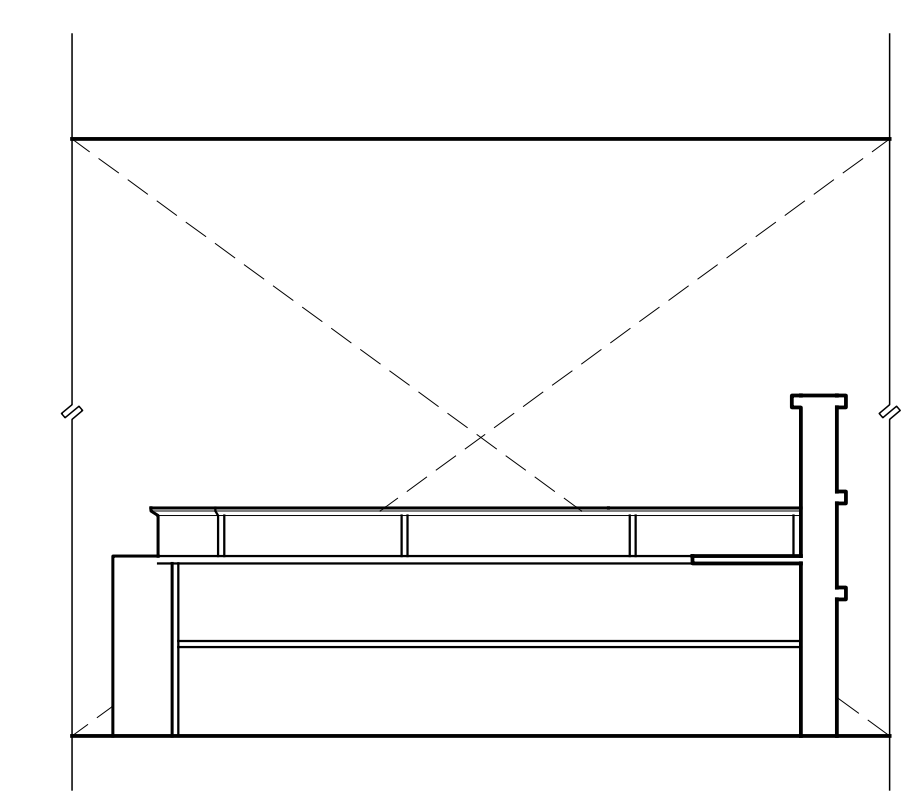
COL



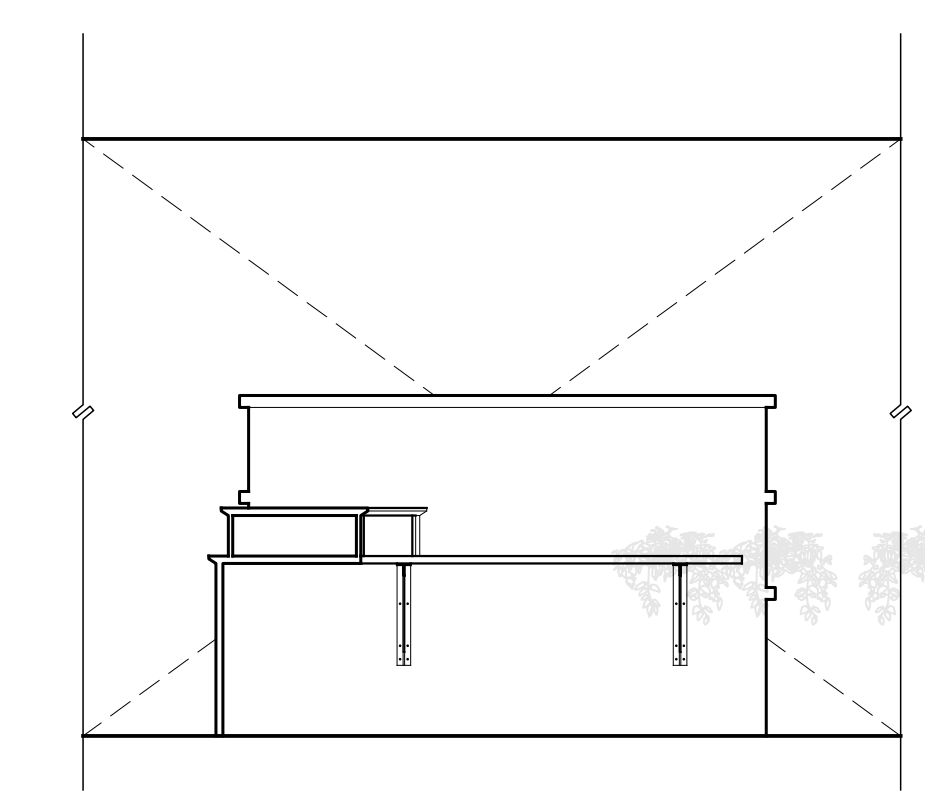
2 RECEPTION LOBBY DESK  
SCALE: 3/8" = 1'-0"



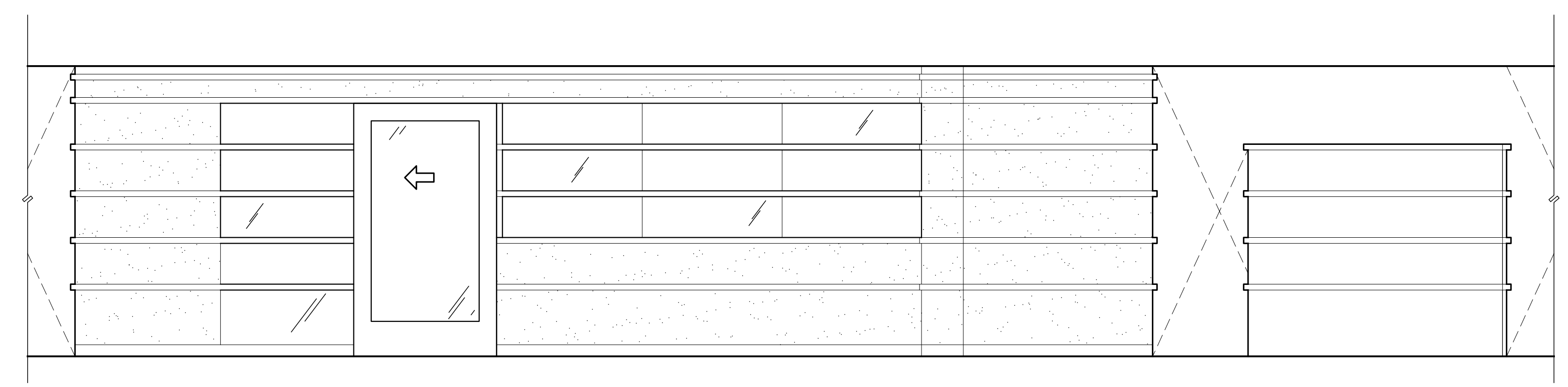
3 LOBBY KIOSK  
SCALE: 3/8" = 1'-0"



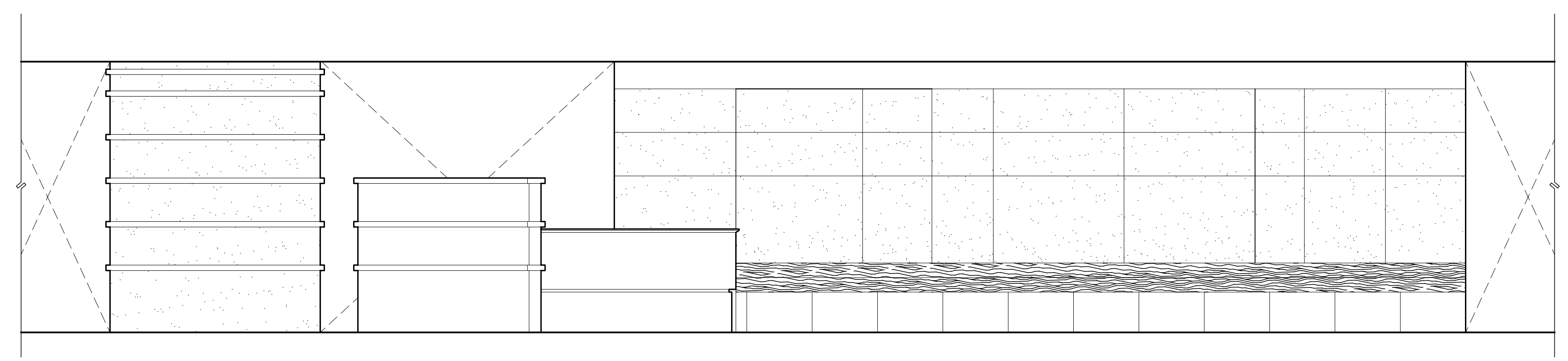
4 LOBBY KIOSK  
SCALE: 3/8" = 1'-0"



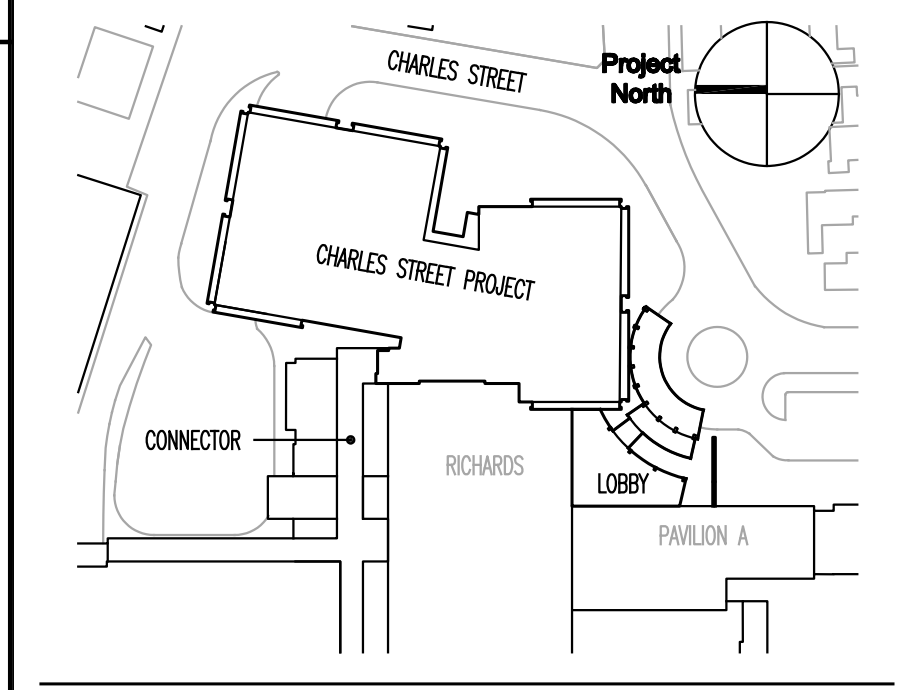
6 LOBBY (GIFT SHOP)  
SCALE: 3/8" = 1'-0"



7 LOBBY (COFFEE KIOSK)  
SCALE: 3/8" = 1'-0"



FOR PERMIT ONLY  
NOT FOR CONSTRUCTION



**TRO**  
ARCHITECTURE  
PLANNING  
ENGINEERING  
INTERIOR DESIGN  
The Ritchie Organization  
80 Bridge Street  
Newton, MA 02460-1194  
617-552-6900

**Maine Medical Center**  
Charles Street Project  
Portland, Maine MMC Project No. 21841  
Drawing Title  
**GROUND FLOOR  
INTERIOR ELEVATIONS  
SHEET 7**

Commission No.	4673	Date Issued	
Scale	AS NOTED	Sheet Number	
Drawn By	JJV		
Approved By	TML		
Filename	4673A706.7.dwg		
Copyright	© 2004 The Ritchie Organization		

**A70G.7**