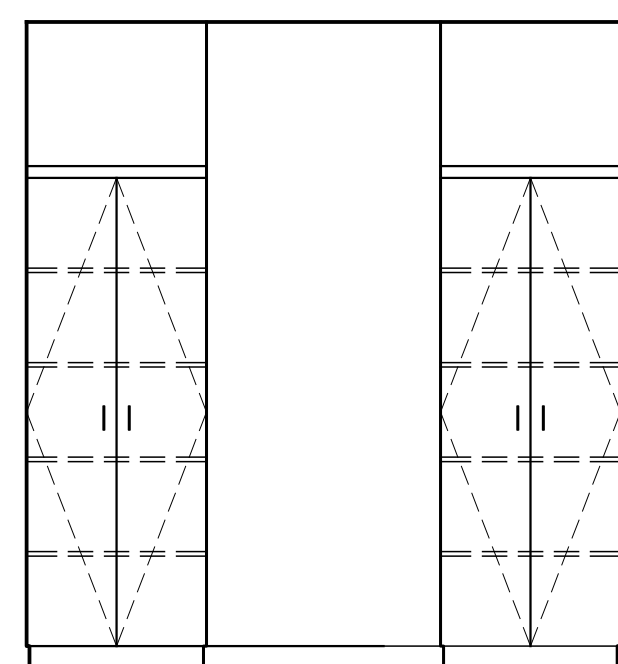
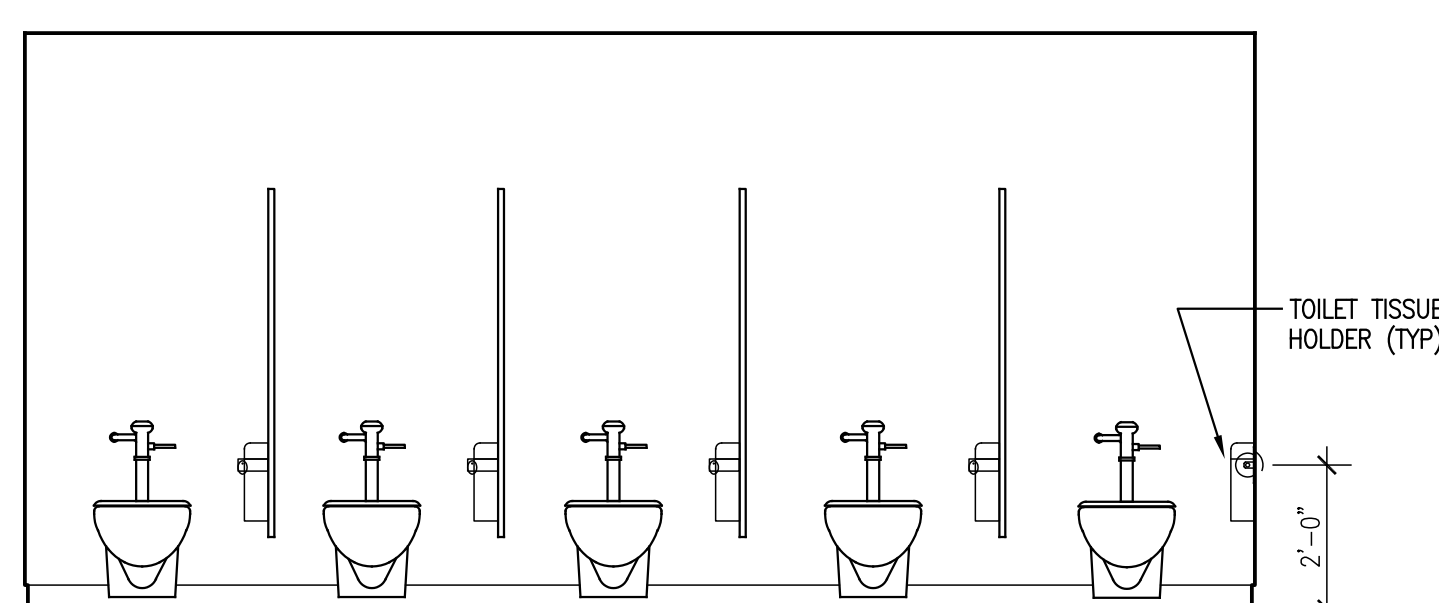


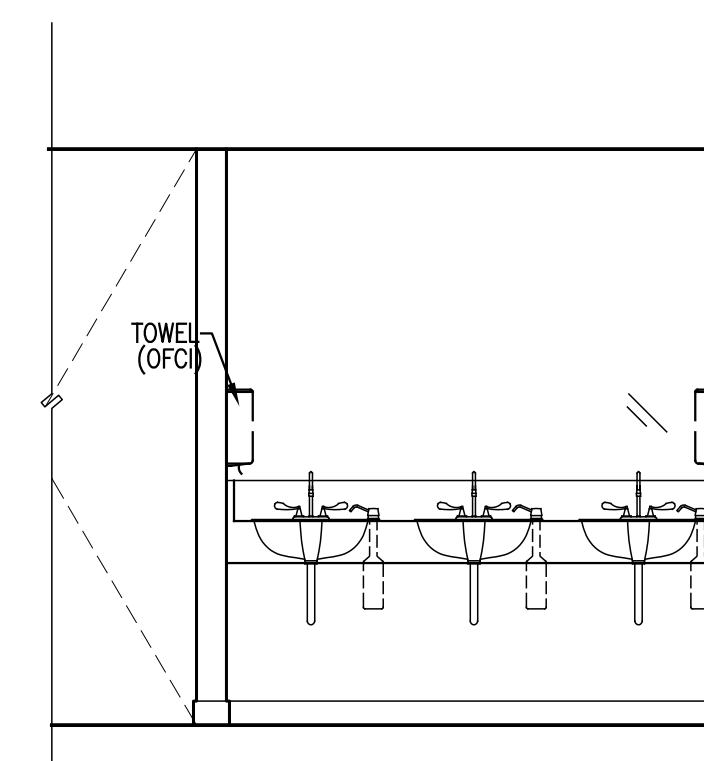
1 CASHIER INFO #G071A-PU
SCALE: 3/8" = 1'-0"



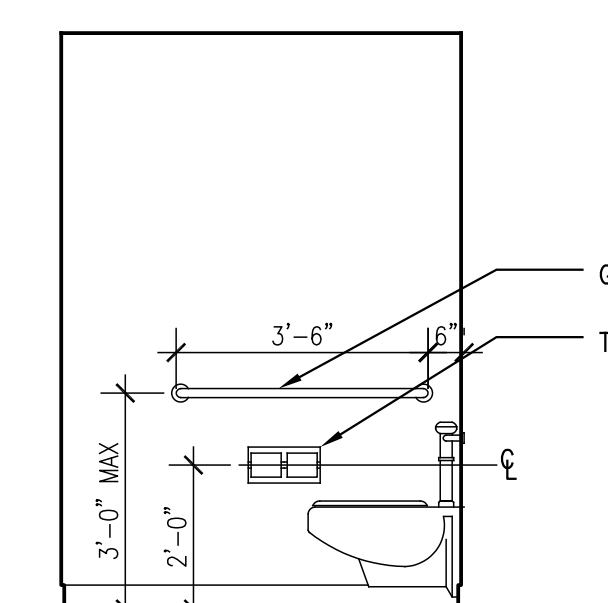
2 FITTING #G071B-PU
SCALE: 3/8" = 1'-0"



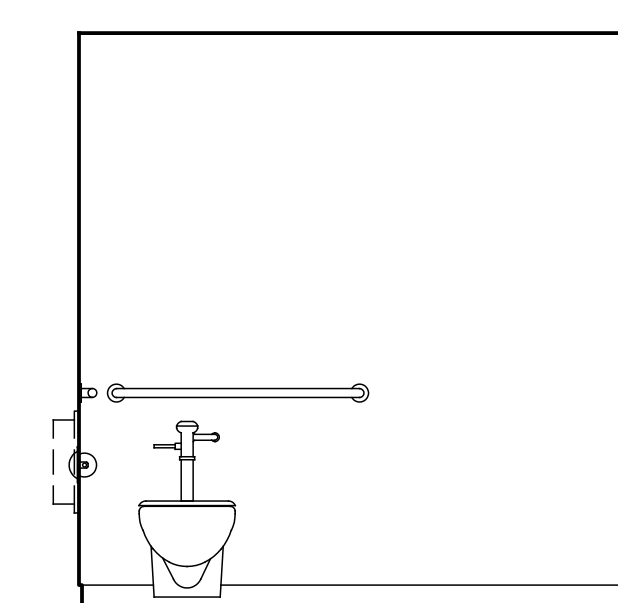
3 T. PUB. F. #G0XXX-PU
SCALE: 3/8" = 1'-0"



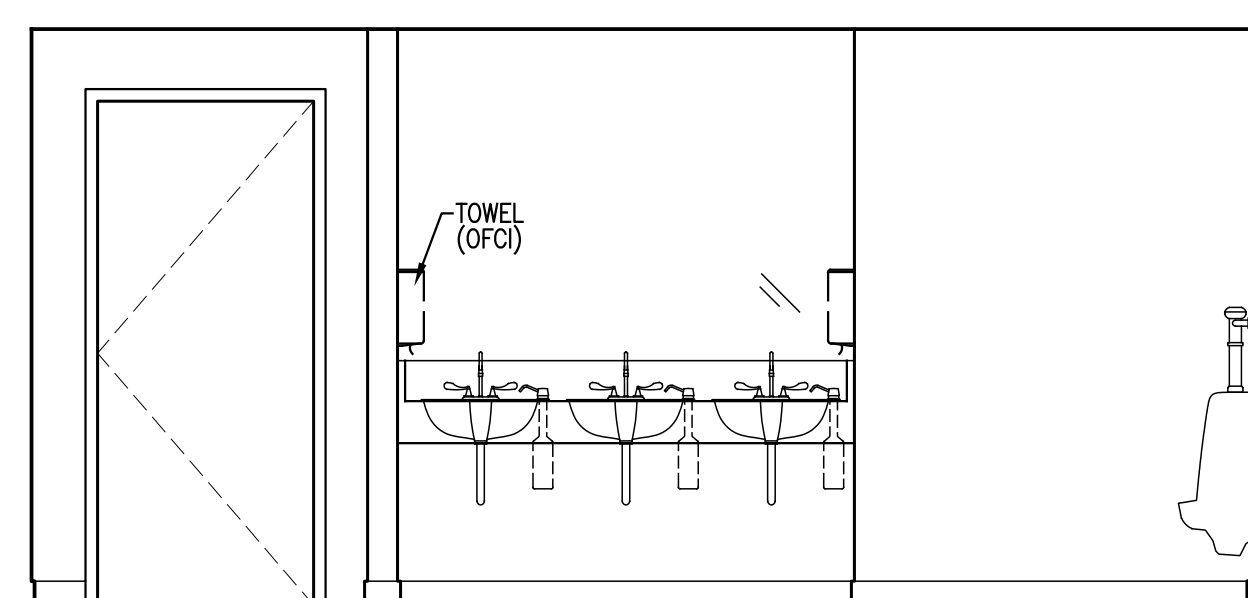
4 T. PUB. F. #G0XXX-PU
SCALE: 3/8" = 1'-0"



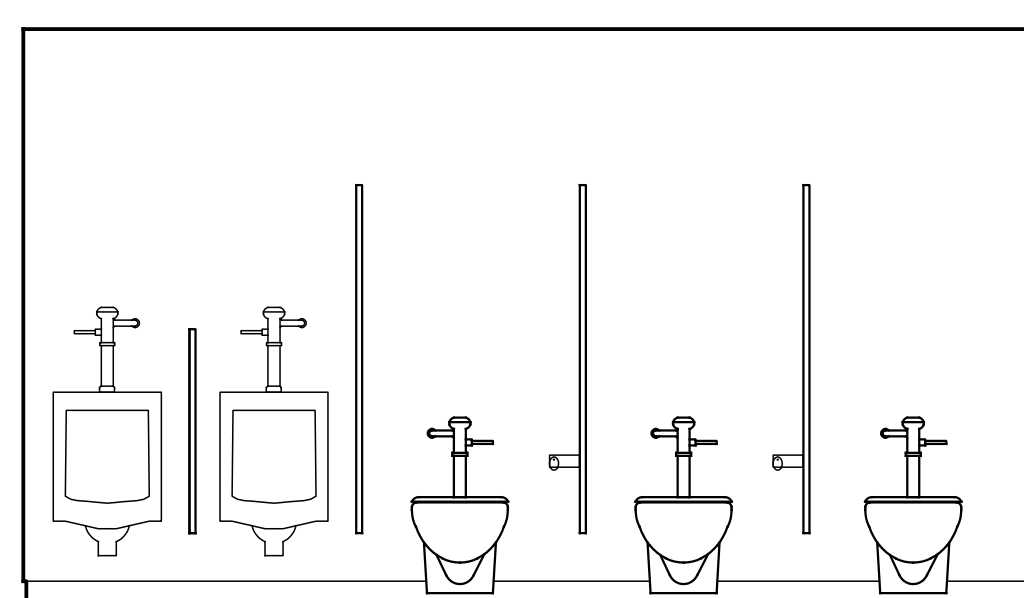
5 T. PUB. M. #G0XXX-PU
SCALE: 3/8" = 1'-0"



6 T. PUB. M. #G0XXX-PU
SCALE: 3/8" = 1'-0"



7 T. PUB. M. #G0XXX-PU
SCALE: 3/8" = 1'-0"

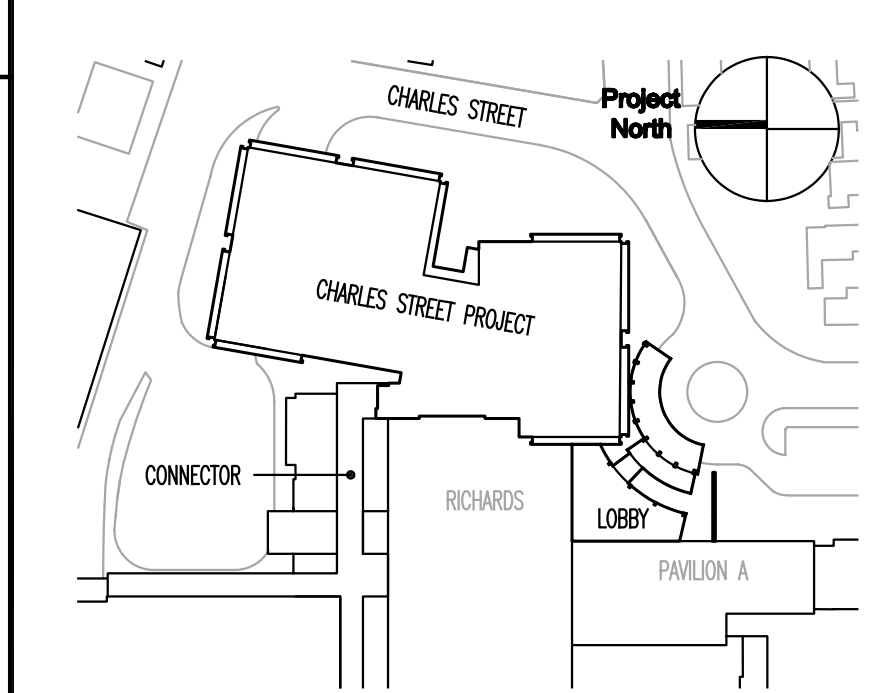


8 T. PUB. M. #G0XXX-PU
SCALE: 3/8" = 1'-0"

FOR PERMIT ONLY
NOT FOR CONSTRUCTION

PERMIT 09/24/04 PERMIT SET - NOT FOR CONSTRUCTION

Issue Log



Key Plan

TRO
ARCHITECTURE
PLANNING
ENGINEERING
INTERIOR DESIGN

The Ritchie Organization
80 Bridge Street
Newton, MA 02459-1156
617-552-6900

Maine Medical Center
Charles Street Project
Portland, Maine MMC Project No. 21841

Drawing Title
**GROUND FLOOR
INTERIOR ELEVATIONS
SHEET 4**

Commission No.	4673	Date Issued	
Scale	AS NOTED	Sheet Number	
Drawn By	JJV		
Approved By	TML		
Filename	4673A706.4.dwg		
Copyright	© 2004	The Ritchie Organization	

A70G.4