

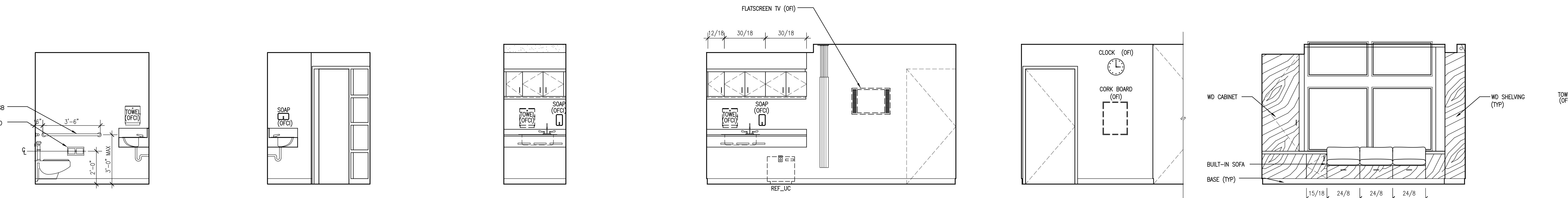
1 ANTE/ POST PARTUM - HEADWALL
SCALE: 3/8" = 1'-0"

2 ANTE/ POST PARTUM - WINDOW WALL
SCALE: 3/8" = 1'-0"

3 ANTE/ POST PARTUM - FOOTWALL WALL
SCALE: 3/8" = 1'-0"

4 ANTE/ POST PARTUM - ENTRY BATHROOM WALL
SCALE: 3/8" = 1'-0"

5 T/SH PAT
SCALE: 3/8" = 1'-0"



6 T/SH PAT
SCALE: 3/8" = 1'-0"

7 T/SH PAT
SCALE: 3/8" = 1'-0"

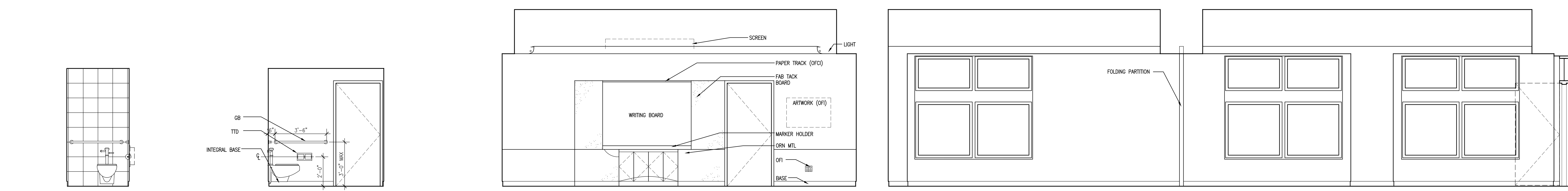
8 ANTE/ POST PARTUM CORNER ROOM
SCALE: 3/8" = 1'-0"

9 ANTE/ POST PARTUM - CORNER ROOM
SCALE: 3/8" = 1'-0"

9A ANTE/ POST PARTUM CORNER ROOM
SCALE: 3/8" = 1'-0"

10 ANTE/ POST PARTUM - CORNER ROOM
SCALE: 3/8" = 1'-0"

11 T/SH H/C
SCALE: 3/8" = 1'-0"

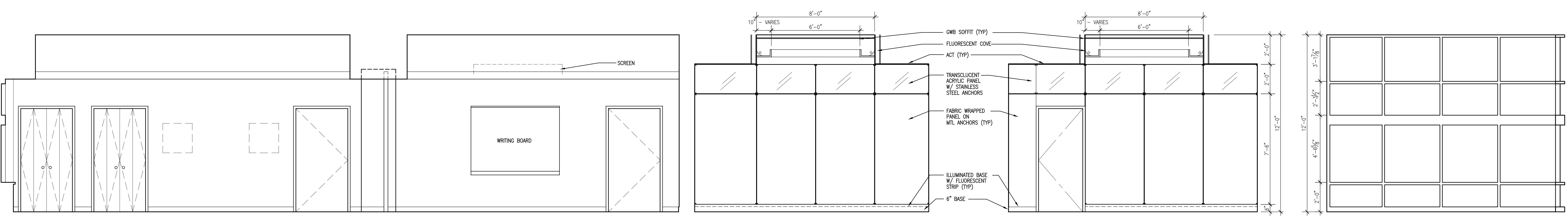


12 T/SH H/C
SCALE: 3/8" = 1'-0"

13 T/SH H/C
SCALE: 3/8" = 1'-0"

14 CLASSROOM G055-CF
SCALE: 3/8" = 1'-0"

15 CLASSROOM G060-CF
SCALE: 3/8" = 1'-0"

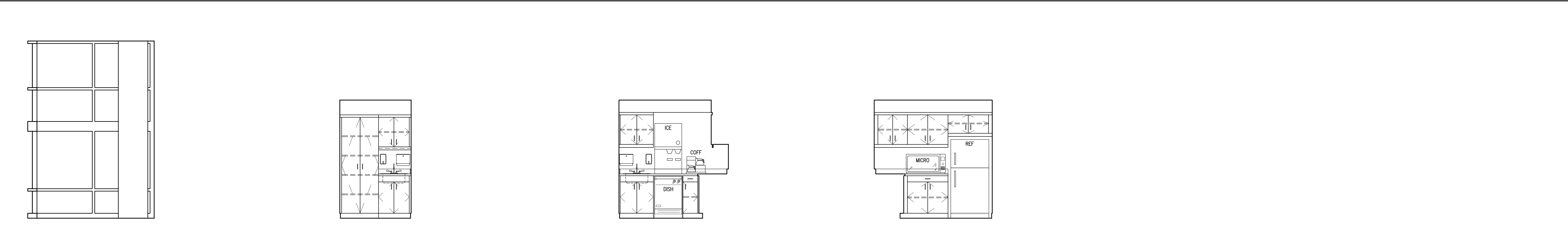


16 CLASSROOM G060-CF
SCALE: 3/8" = 1'-0"

17 WALL ELEVATION MEDITATION ROOM #G052-PC
SCALE: 3/8" = 1'-0"

18 WALL ELEVATION MEDITATION ROOM #G052-PC
SCALE: 3/8" = 1'-0"

19 WALL ELEVATION MEDITATION ROOM #G052-PC
SCALE: 3/8" = 1'-0"



20 WALL ELEVATION MEDITATION ROOM #G052-PC
SCALE: 3/8" = 1'-0"

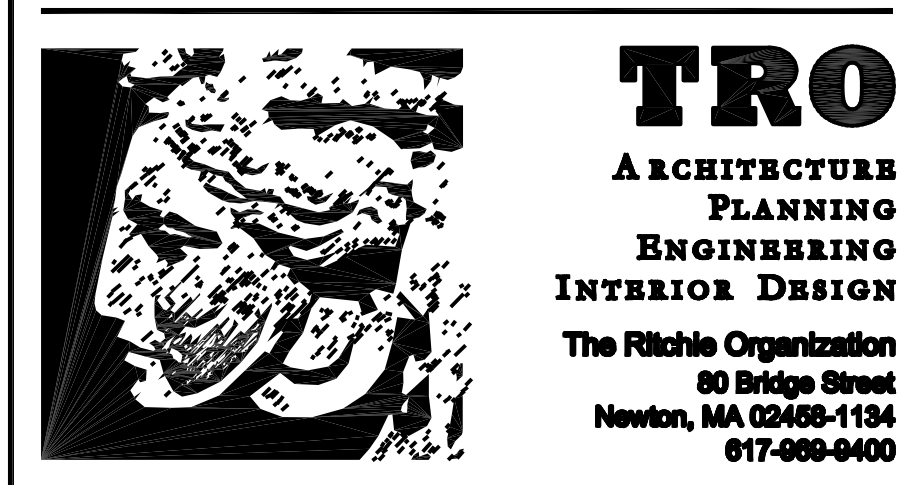
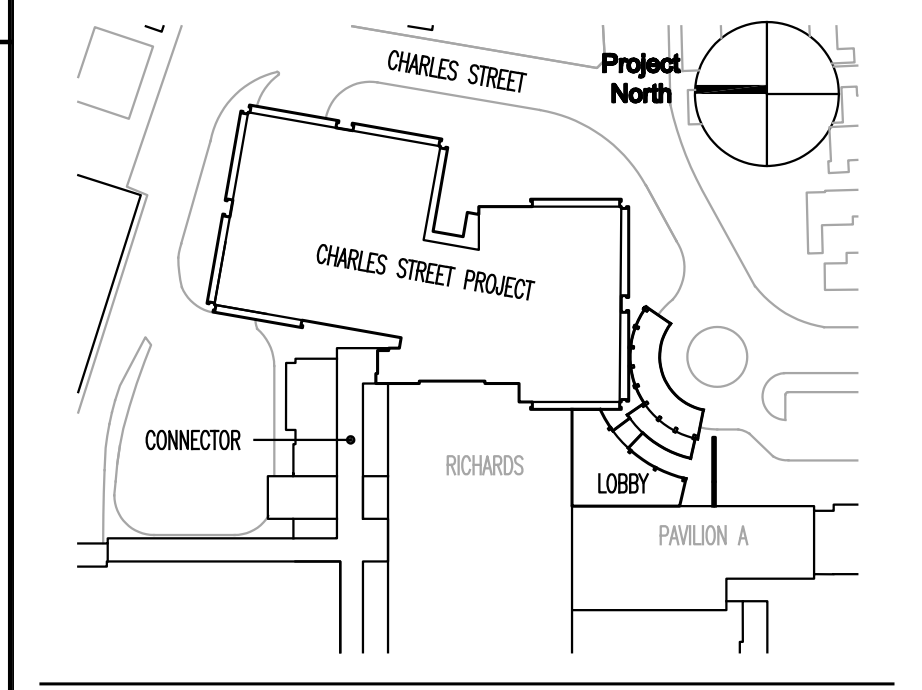
21 SACRISTY #G052A-PC
SCALE: 3/8" = 1'-0"

22 KIT #G054-CF
SCALE: 3/8" = 1'-0"

23 KIT #G054-CE
SCALE: 3/8" = 1'-0"

FOR PERMIT ONLY
NOT FOR CONSTRUCTION

ISSUE DATE: 09/24/04
PERMIT SET - NOT FOR CONSTRUCTION



Maine Medical Center
Charles Street Project
Portland, Maine MMC Project No. 21841

GROUND FLOOR
INTERIOR ELEVATIONS
SHEET 2

Commission No.	4673	Date Issued	
Scale	AS NOTED	Sheet Number	
Drawn By	JJV		
Approved By	TML		
Filename	4673A706.2.dwg		
Copyright	© 2004	The Ritchie Organization	

A70G.2