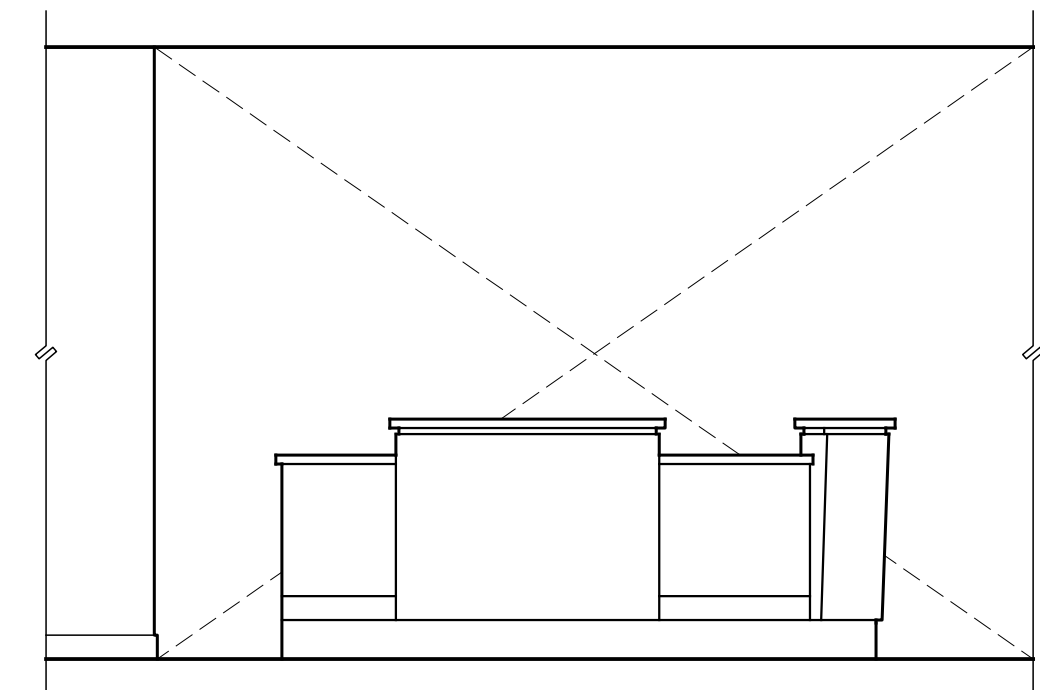
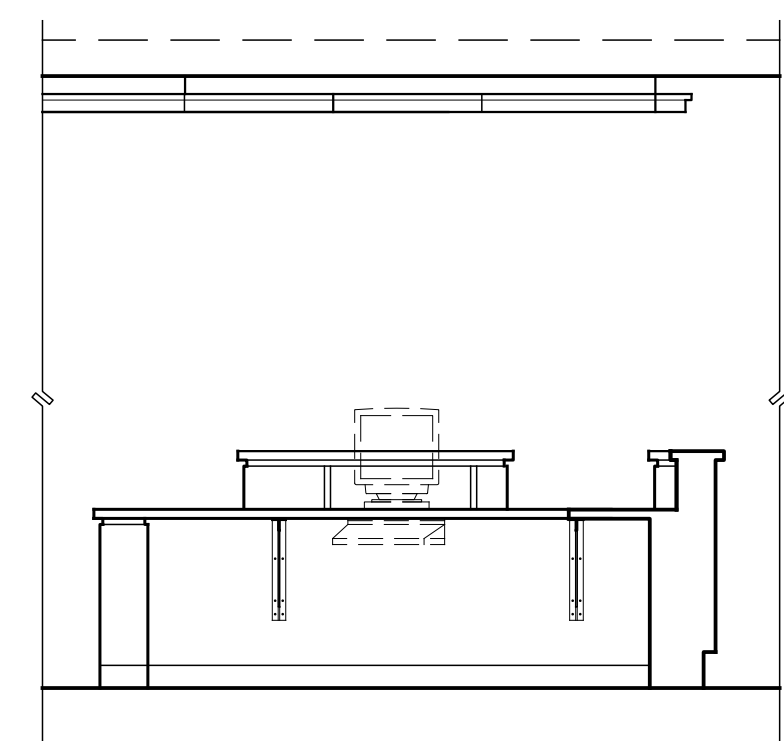


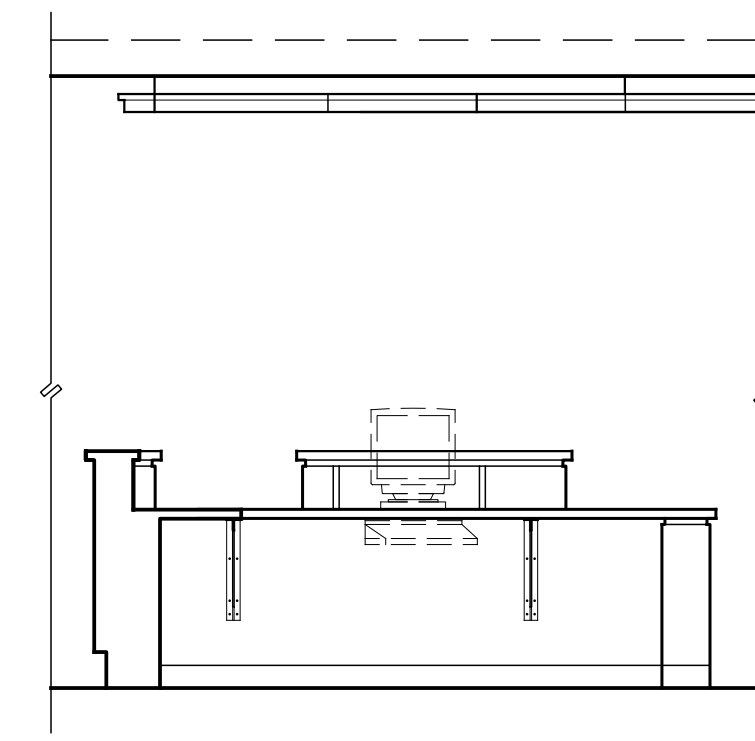
1 ANTE\_PRIM/POST PARTUM STAFF STA  
SCALE: 3/8" = 1'-0"



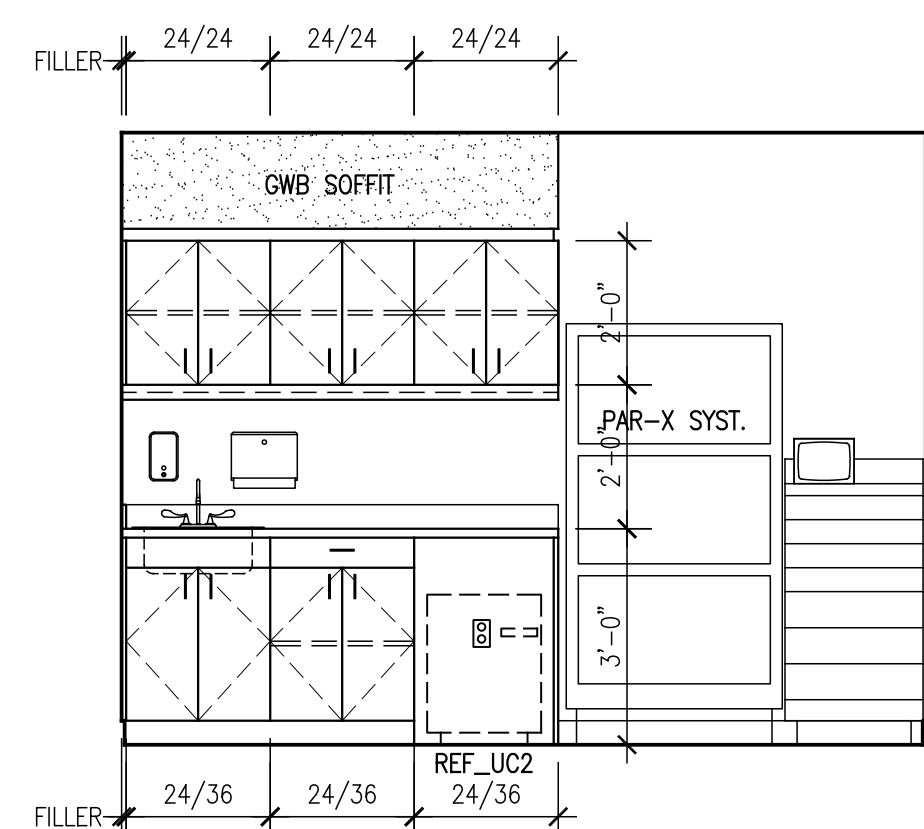
2 ANTE\_PRIM/POST PARTUM STAFF STA  
SCALE: 3/8" = 1'-0"



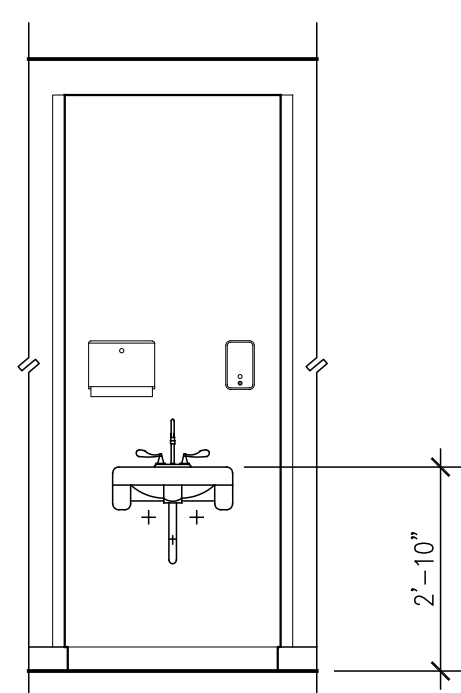
3 ANTE\_PRIM/POST PARTUM STAFF STA  
SCALE: 3/8" = 1'-0"



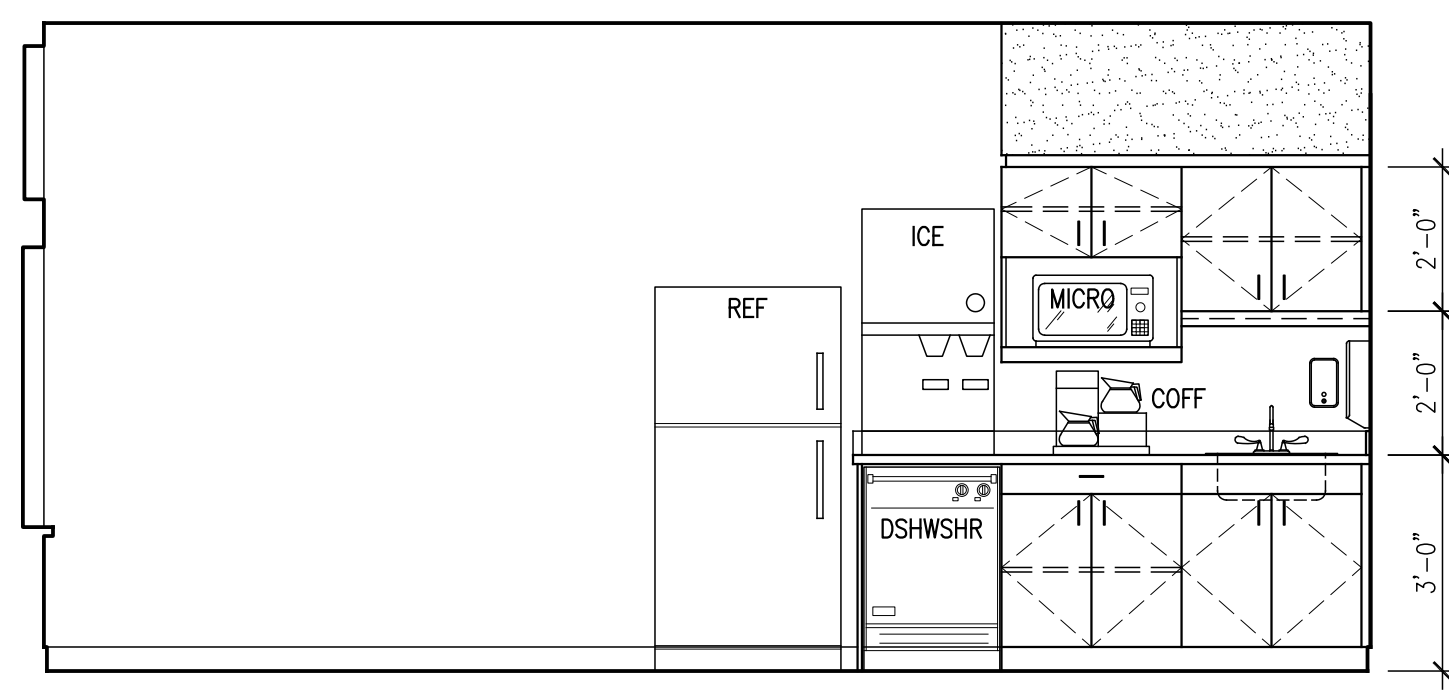
4 ANTE\_PRIM/POST PARTUM STAFF STA  
SCALE: 3/8" = 1'-0"



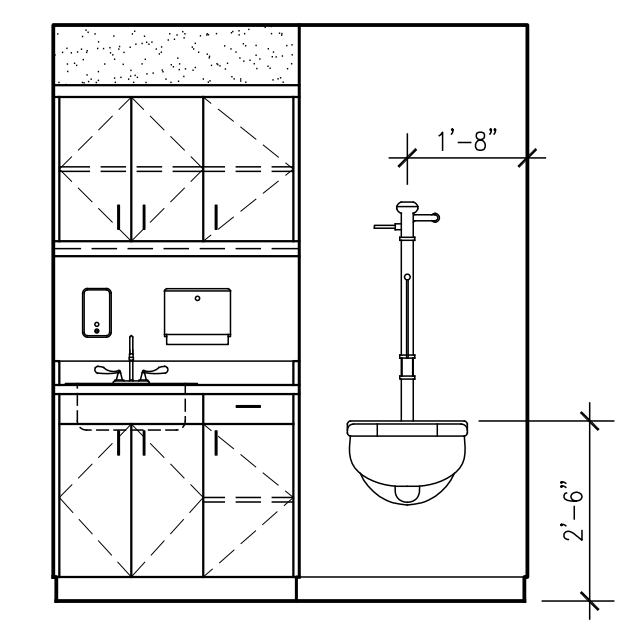
5 MEDS\_G014-WS  
SCALE: 3/8" = 1'-0"



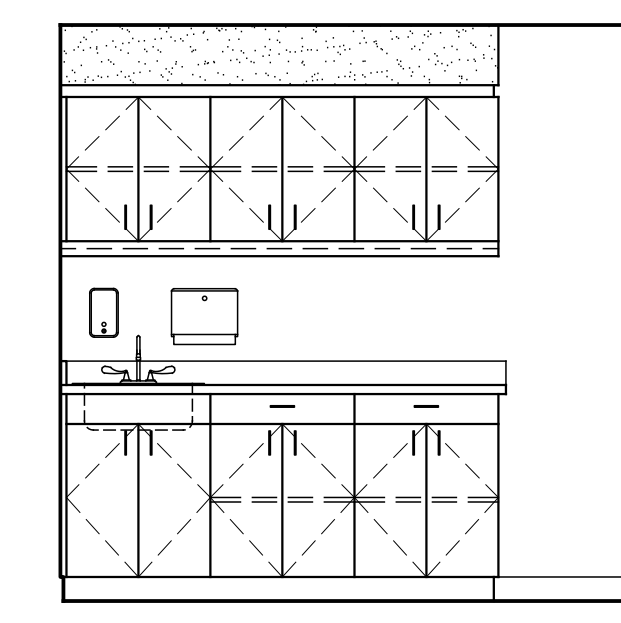
6 HANDWASHING ALCOVE (TYPICAL ALL FLOORS)  
SCALE: 3/8" = 1'-0"



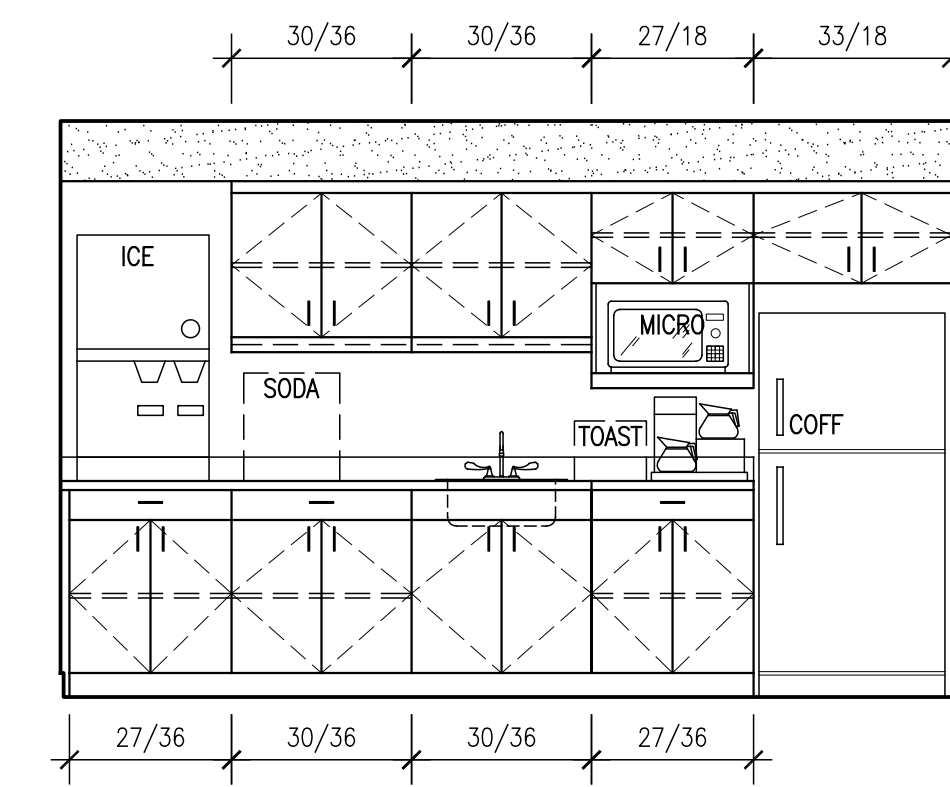
7 STAFF LOUNGE\_G031-ST  
SCALE: 3/8" = 1'-0"



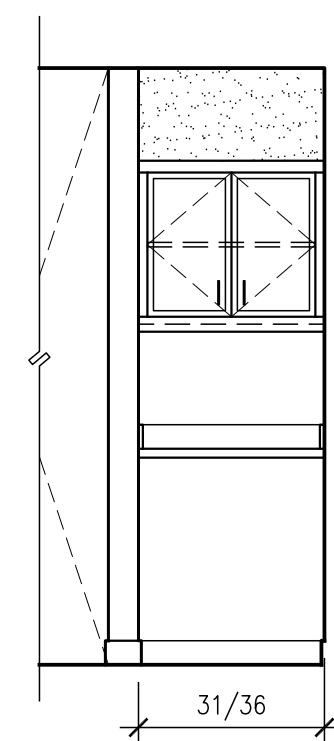
8 SOIL\_UTIL\_#G029-WS  
SCALE: 3/8" = 1'-0"



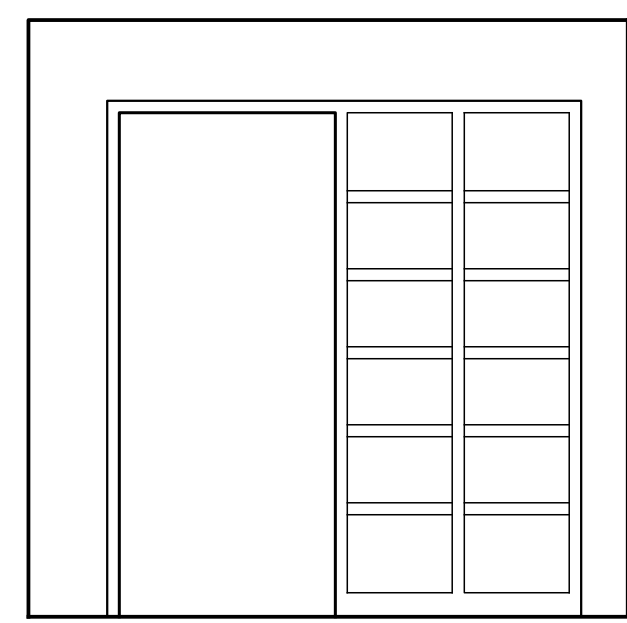
9 CLN\_UTIL\_#G024-WS  
SCALE: 3/8" = 1'-0"



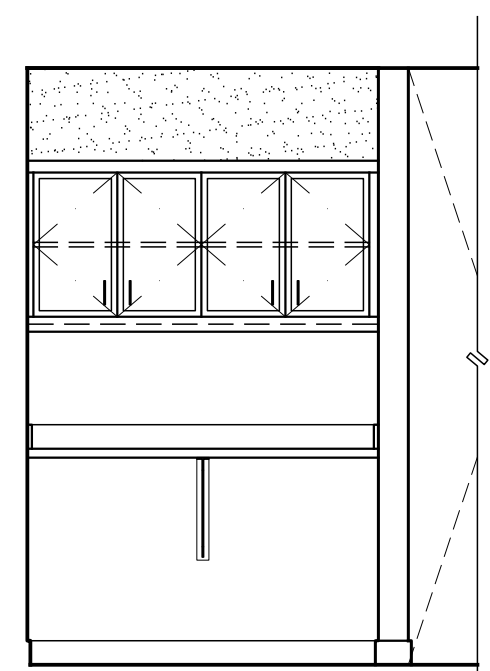
10 NOUR\_#G026-WS  
SCALE: 3/8" = 1'-0"



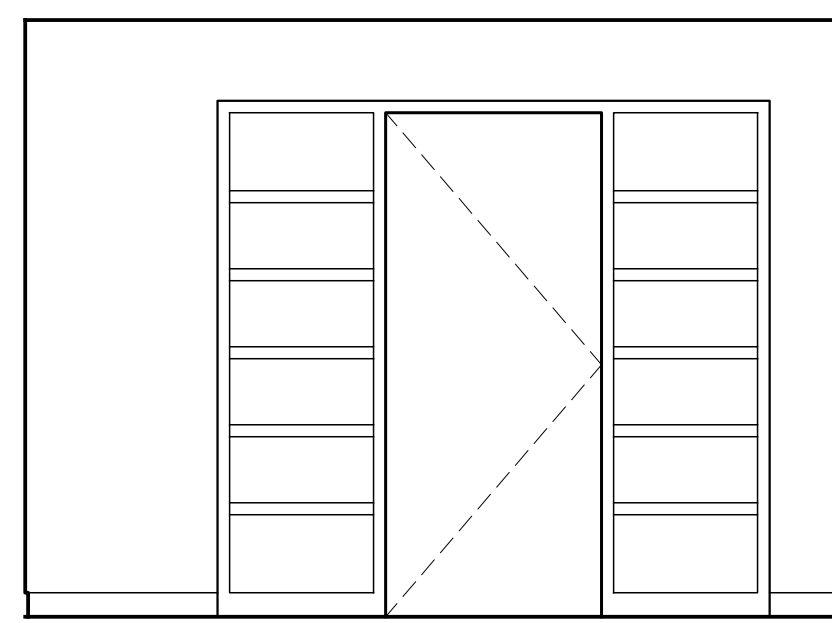
11 ANTE\_PRIM/POST PARTUM STAFF STA  
SCALE: 3/8" = 1'-0"



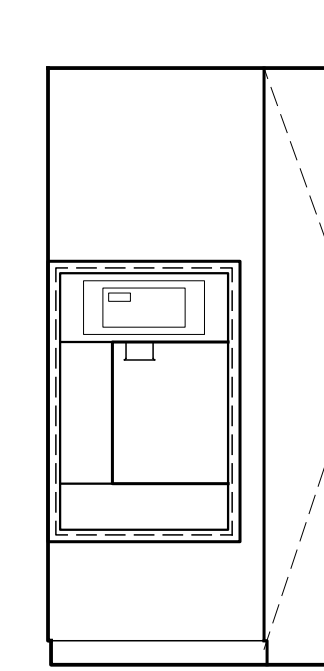
12 ANTE\_PRIM/POST PARTUM STAFF STA  
SCALE: 3/8" = 1'-0"



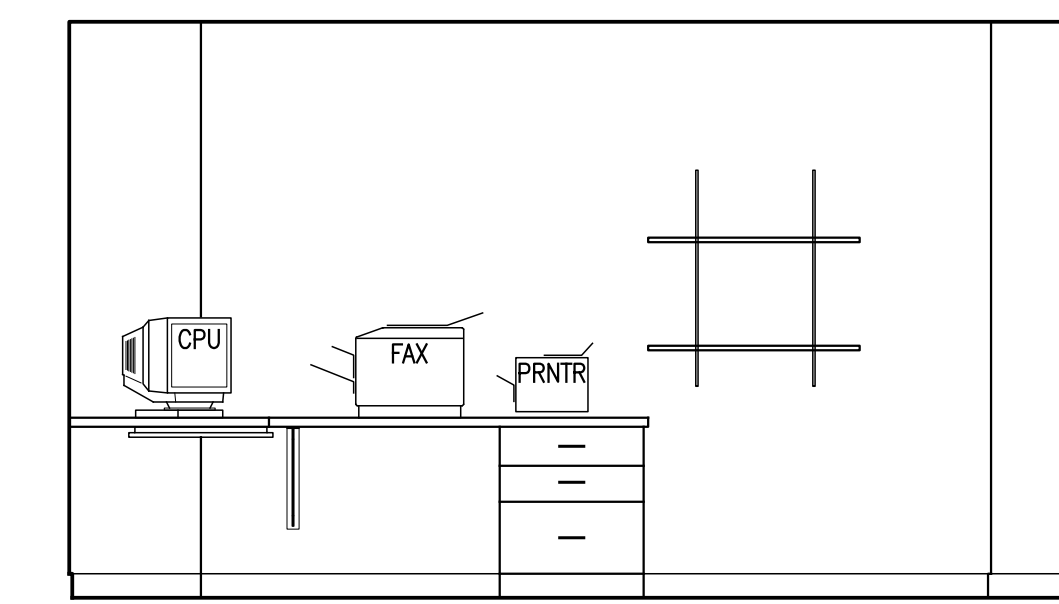
13 ANTE\_PRIM/POST PARTUM STAFF STA  
SCALE: 3/8" = 1'-0"



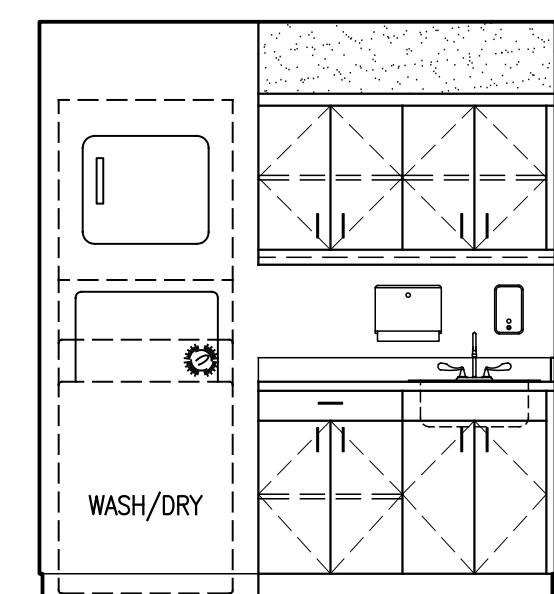
14 ANTE\_PRIM STAFF STA/UNIT SEC'Y G013-WS  
SCALE: 3/8" = 1'-0"



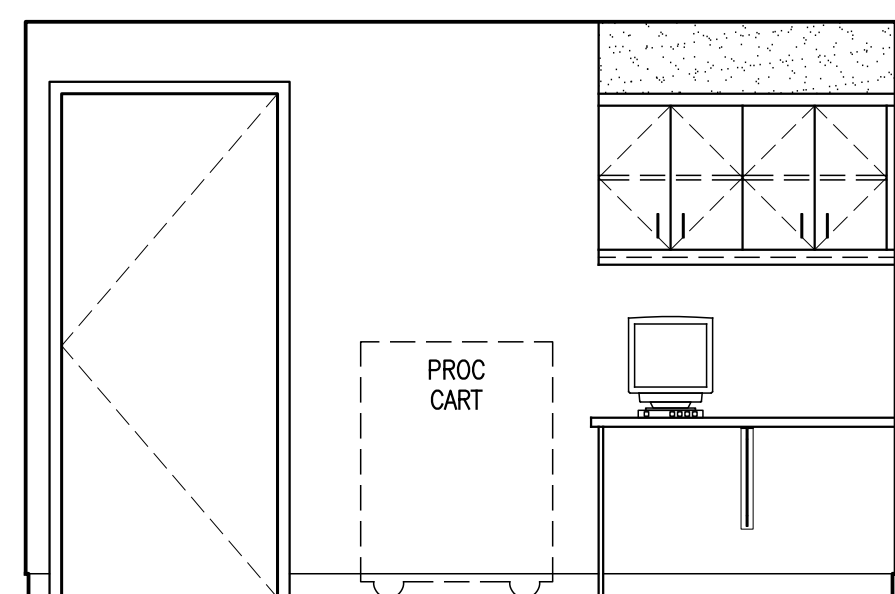
15 ANTE\_PRIM STAFF STA/UNIT SEC'Y G013-WS  
SCALE: 3/8" = 1'-0"



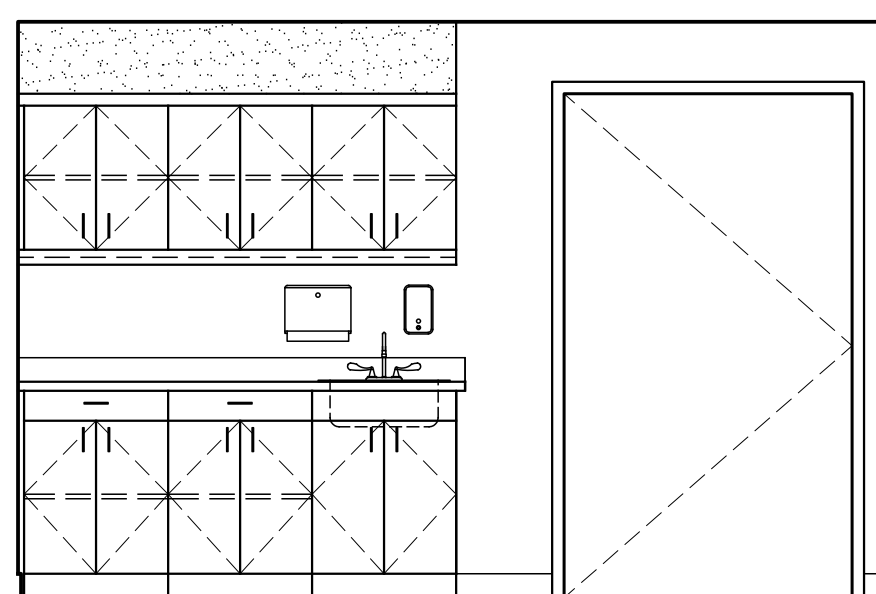
16 RESOURCE\_ROOM\_G013A-WS  
SCALE: 3/8" = 1'-0"



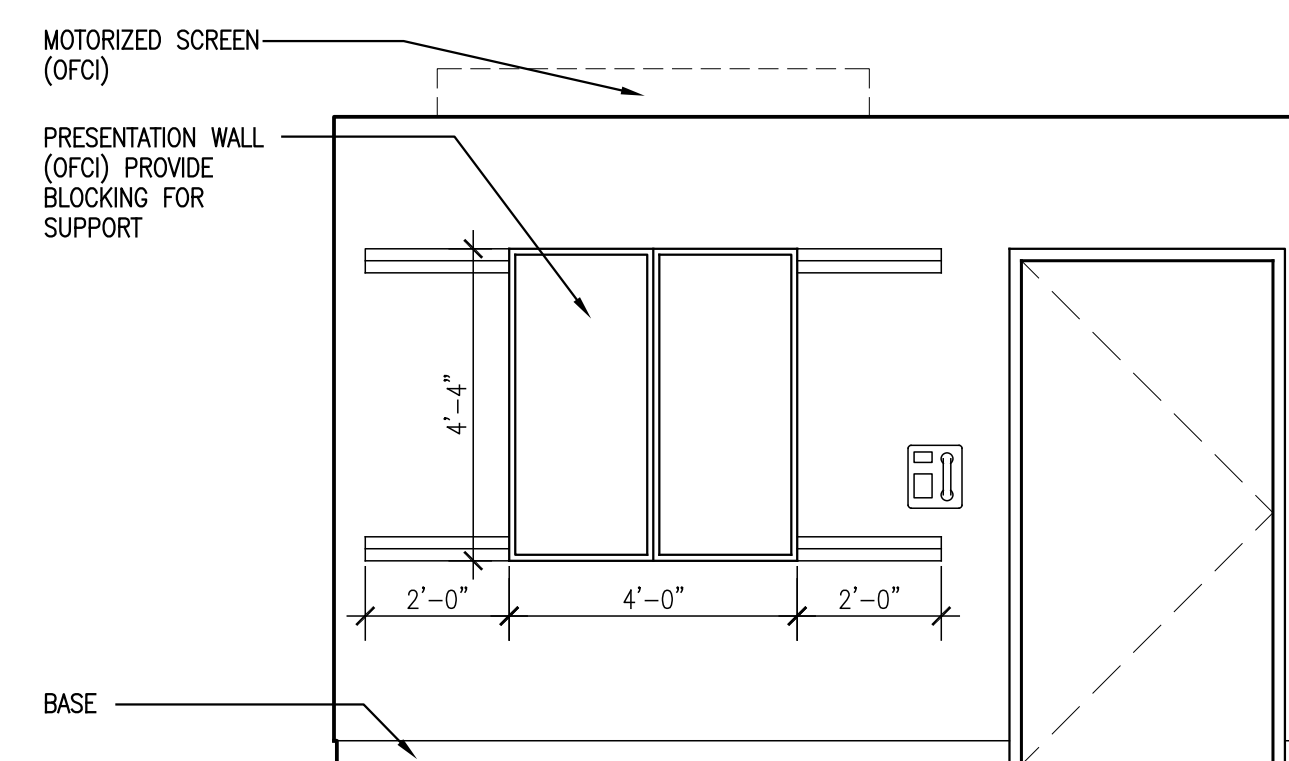
17 WASH/DRY\_#G011-WS  
SCALE: 3/8" = 1'-0"



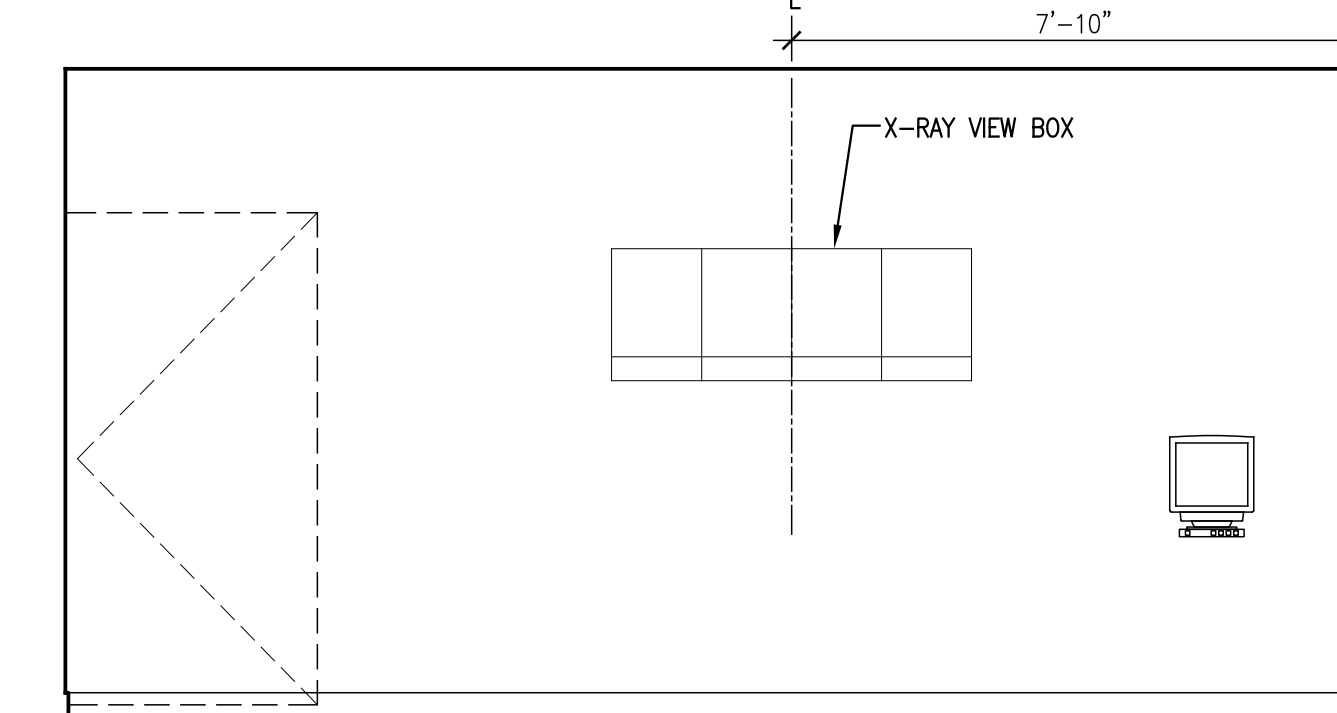
18 PROC\_#G037-WS  
SCALE: 3/8" = 1'-0"



19 PROC\_#G037-WS  
SCALE: 3/8" = 1'-0"

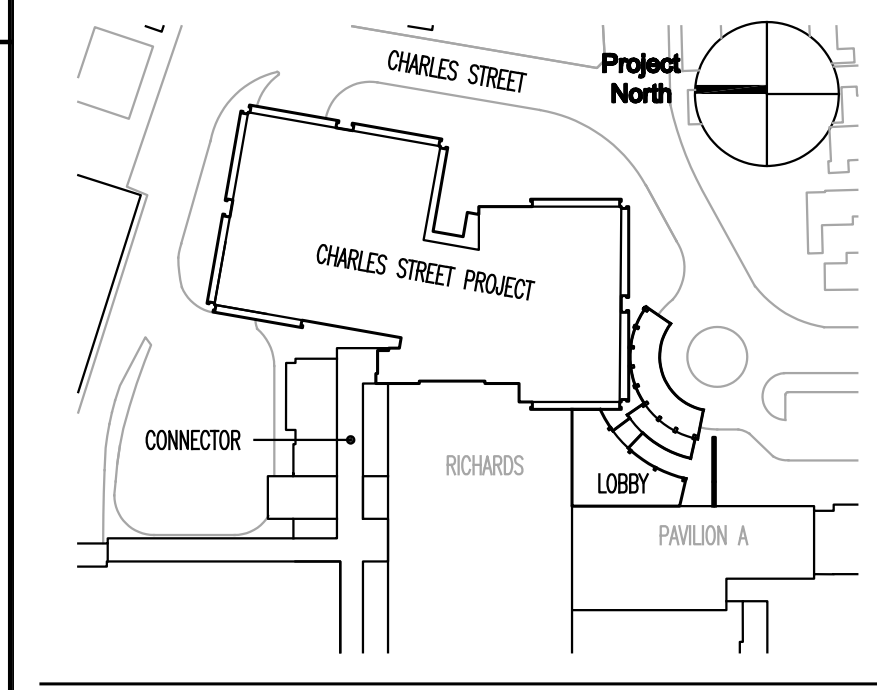


20 CLSRM\_#G008-CF  
SCALE: 3/8" = 1'-0"



21 CLSRM\_#G008-CF  
SCALE: 3/8" = 1'-0"

FOR PERMIT ONLY  
NOT FOR CONSTRUCTION



Key Plan

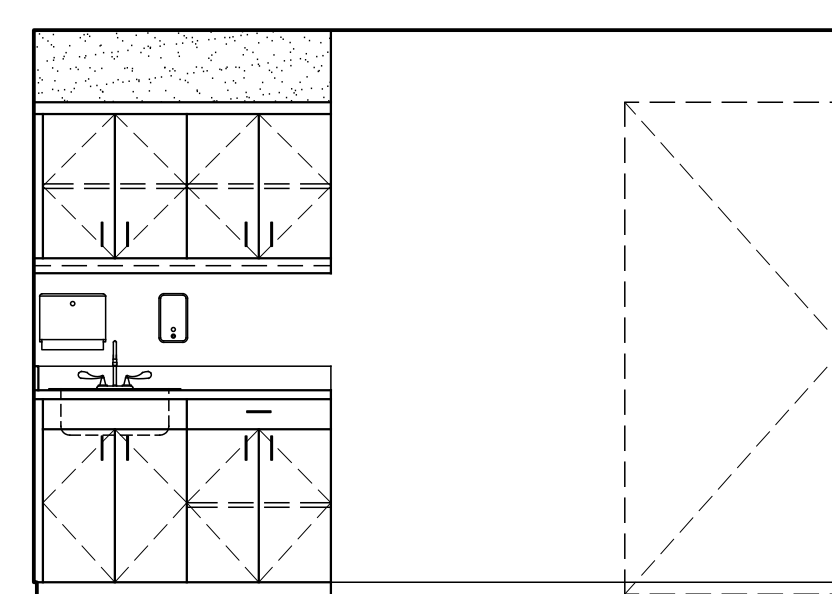
**TRO**  
ARCHITECTURE  
PLANNING  
ENGINEERING  
INTERIOR DESIGN  
The Ritchie Organization  
80 Bridge Street  
Newton, MA 02459-1194  
617-552-9100

Maine Medical Center  
Charles Street Project  
Portland, Maine MMC Project No. 21841

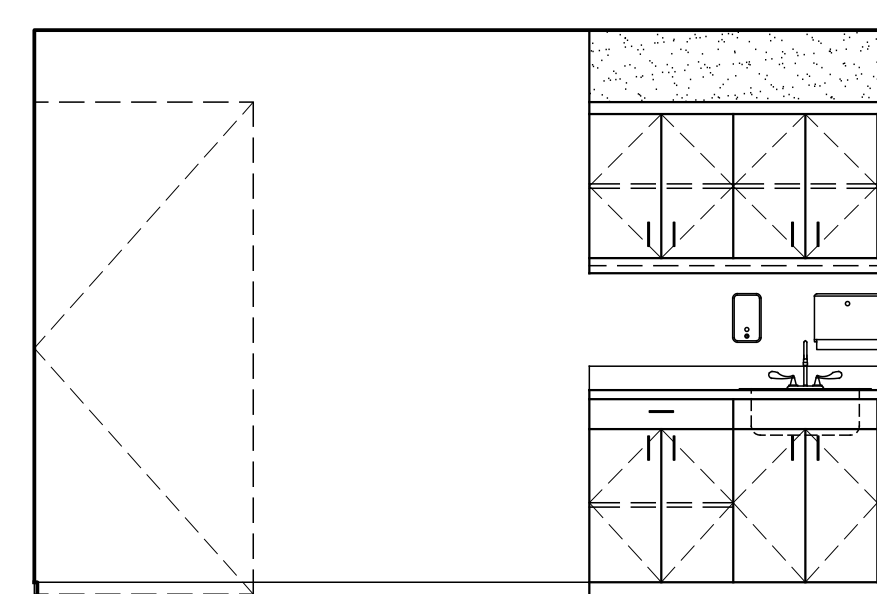
GROUND FLOOR  
INTERIOR ELEVATIONS  
SHEET 1

Commission No.	4673	Date Issued	
Scale	AS NOTED	Sheet Number	
Drawn By	JW		
Approved By	TML		
Filename	4673A700.1.dwg		
Copyright	© 2004	The Ritchie Organization	

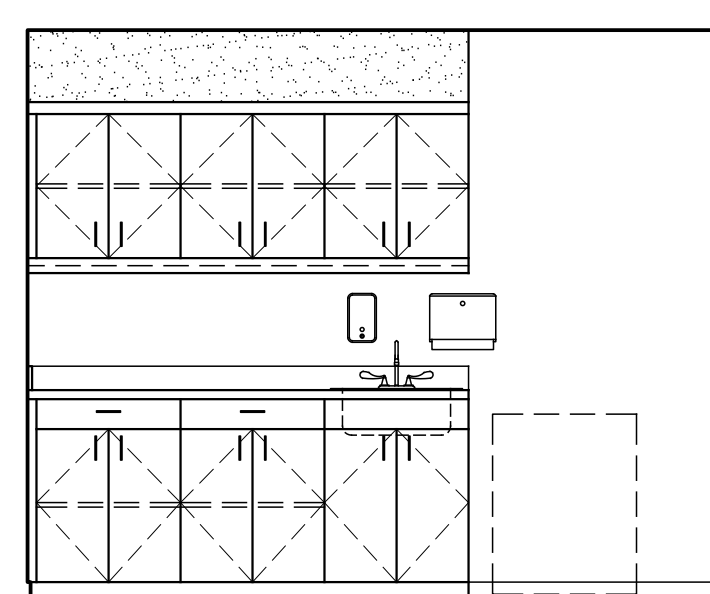
A70G.1



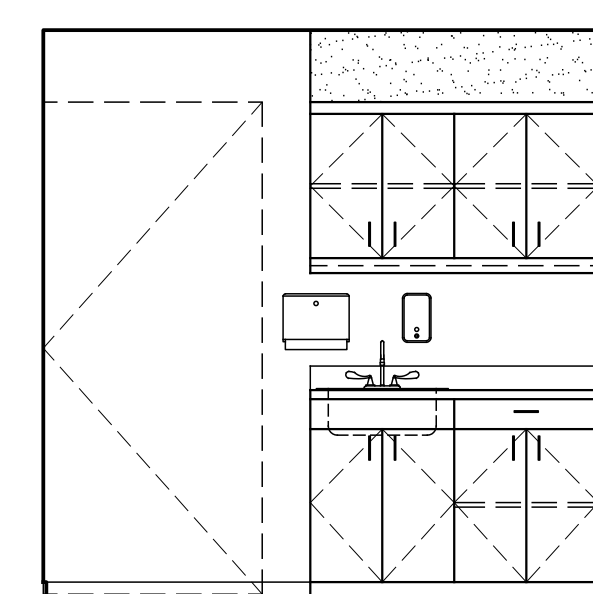
22 HOME CARE OFF\_G007-WS  
SCALE: 3/8" = 1'-0"



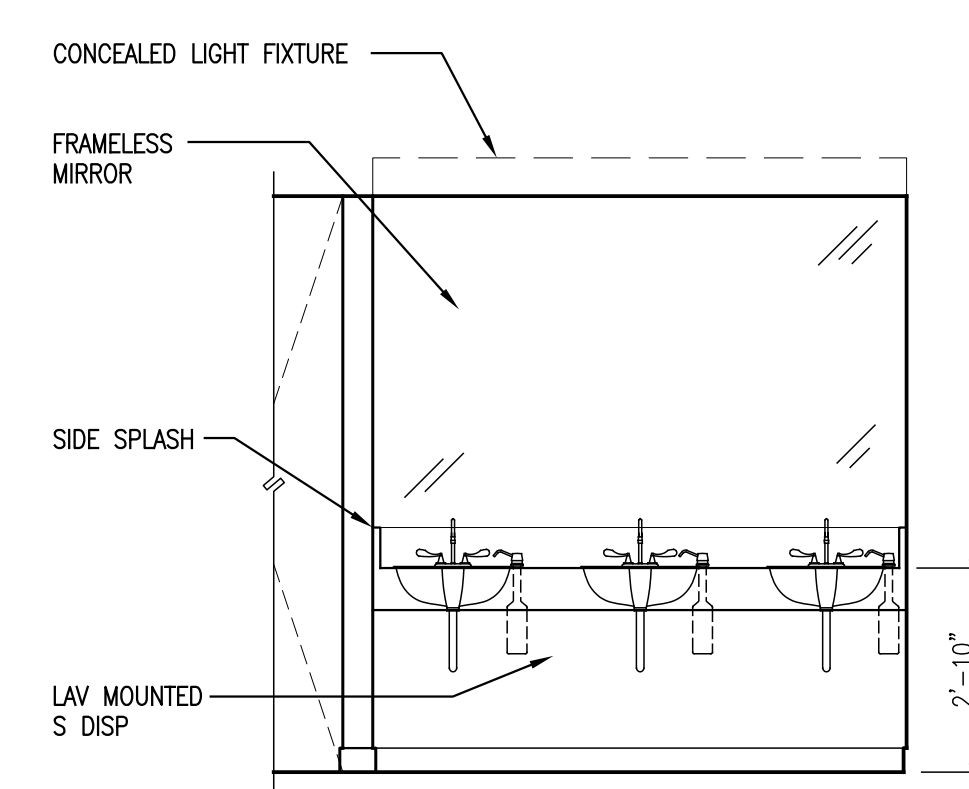
23 LACT CONSULT\_G006-WS  
SCALE: 3/8" = 1'-0"



24 NST\_G039-WS  
SCALE: 3/8" = 1'-0"



25 EMP\_BREAST PUMP\_G040-WS  
SCALE: 3/8" = 1'-0"



26 T/SH\_STA\_G034A-ST  
SCALE: 3/8" = 1'-0"