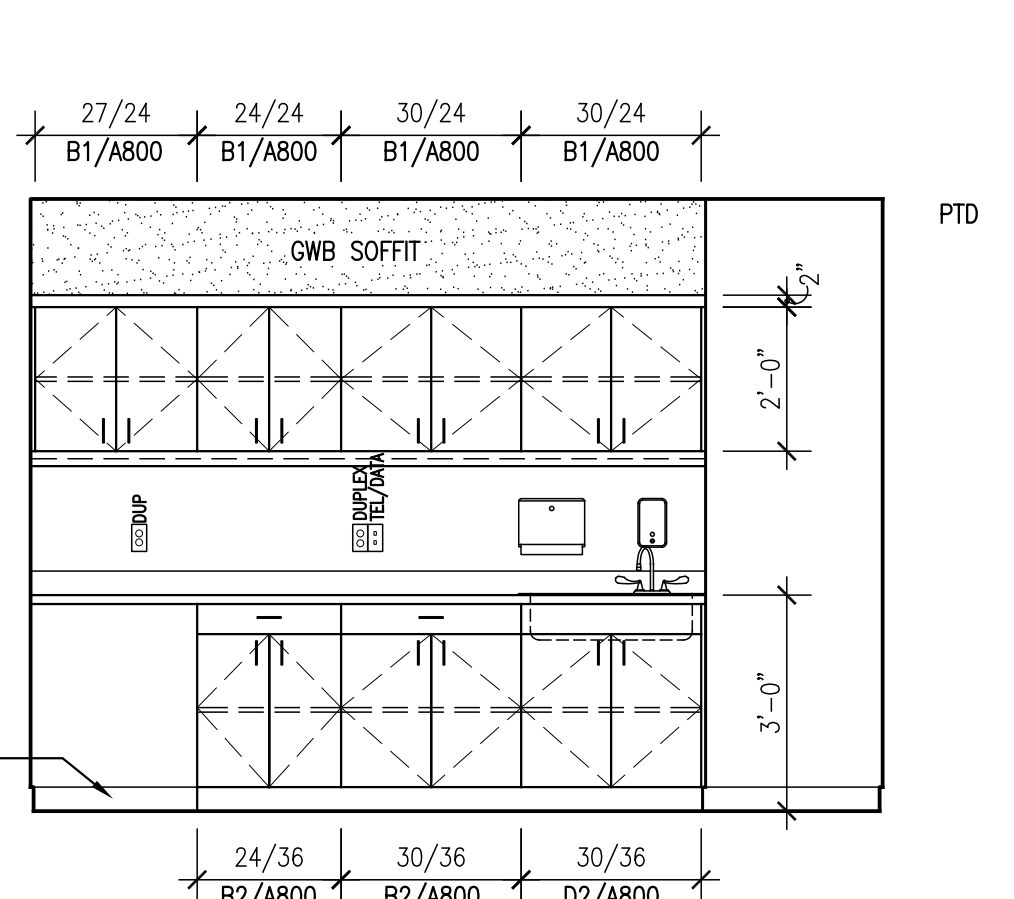
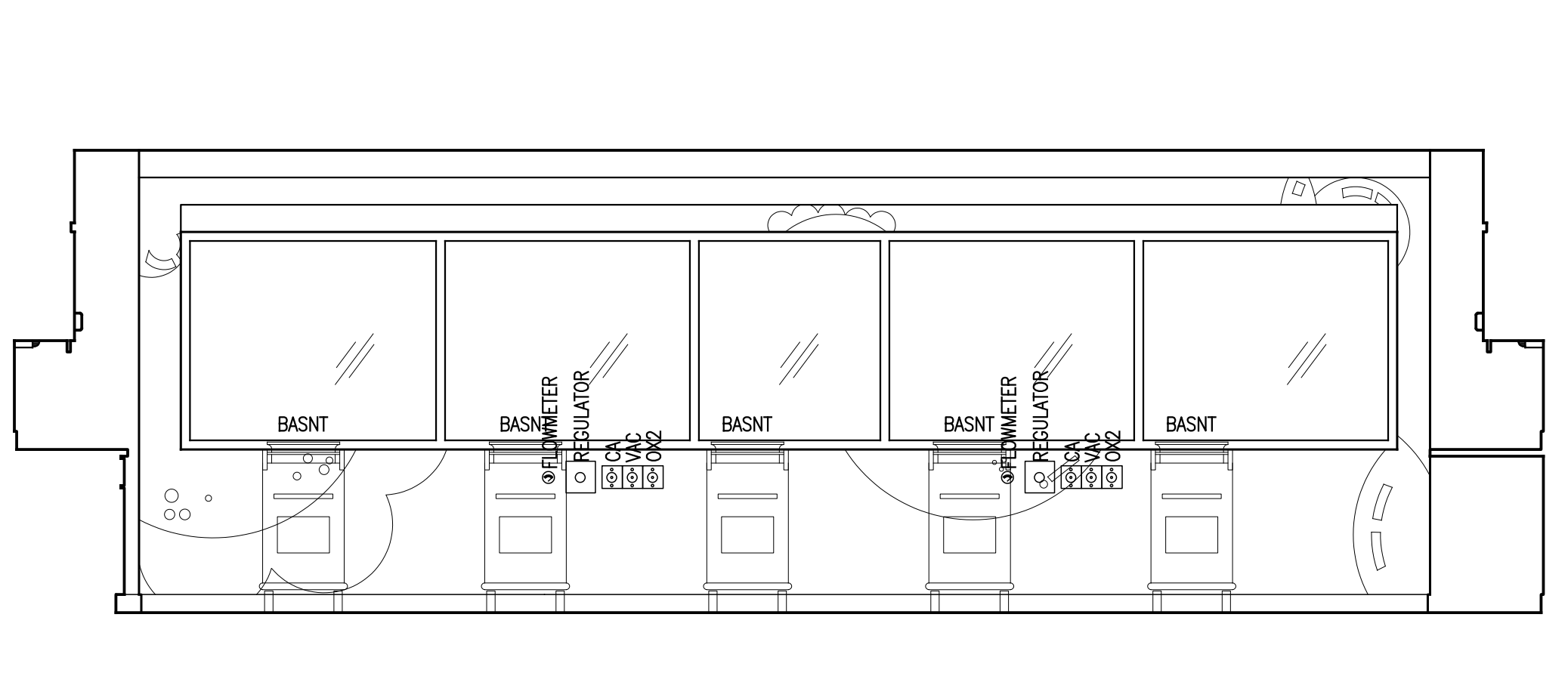


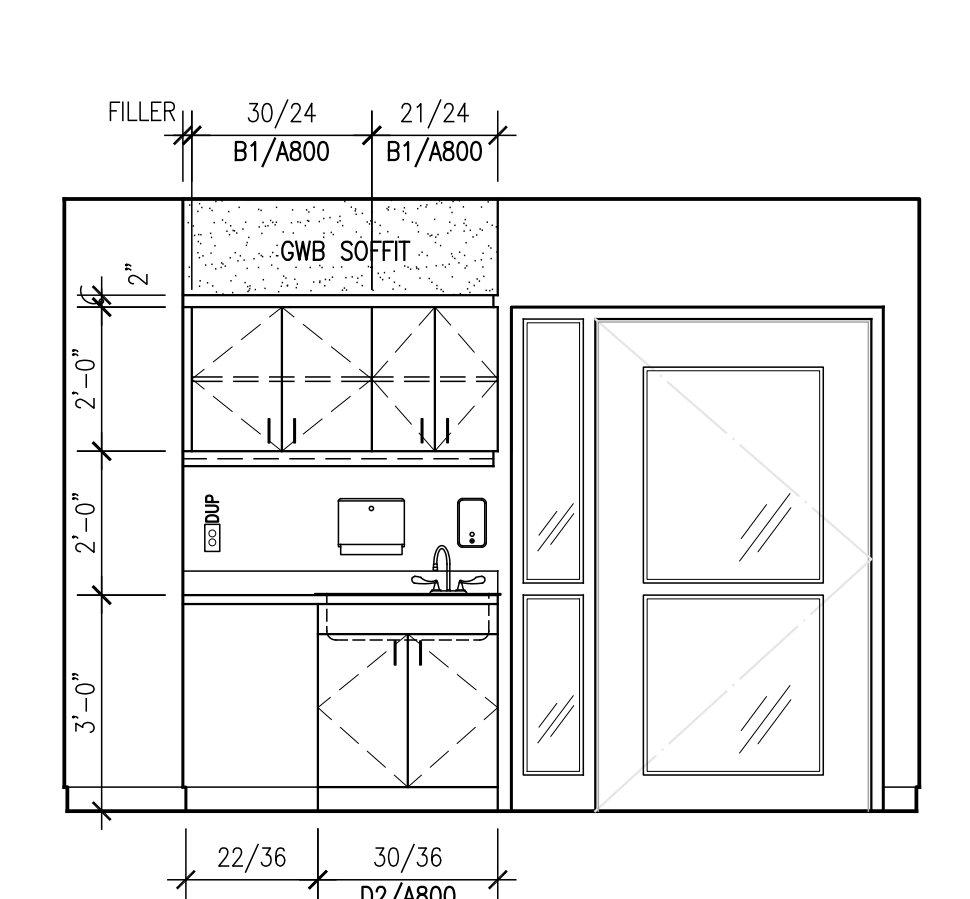
1 NURSERIES #4007-WS
SCALE: 3/8" = 1'-0"



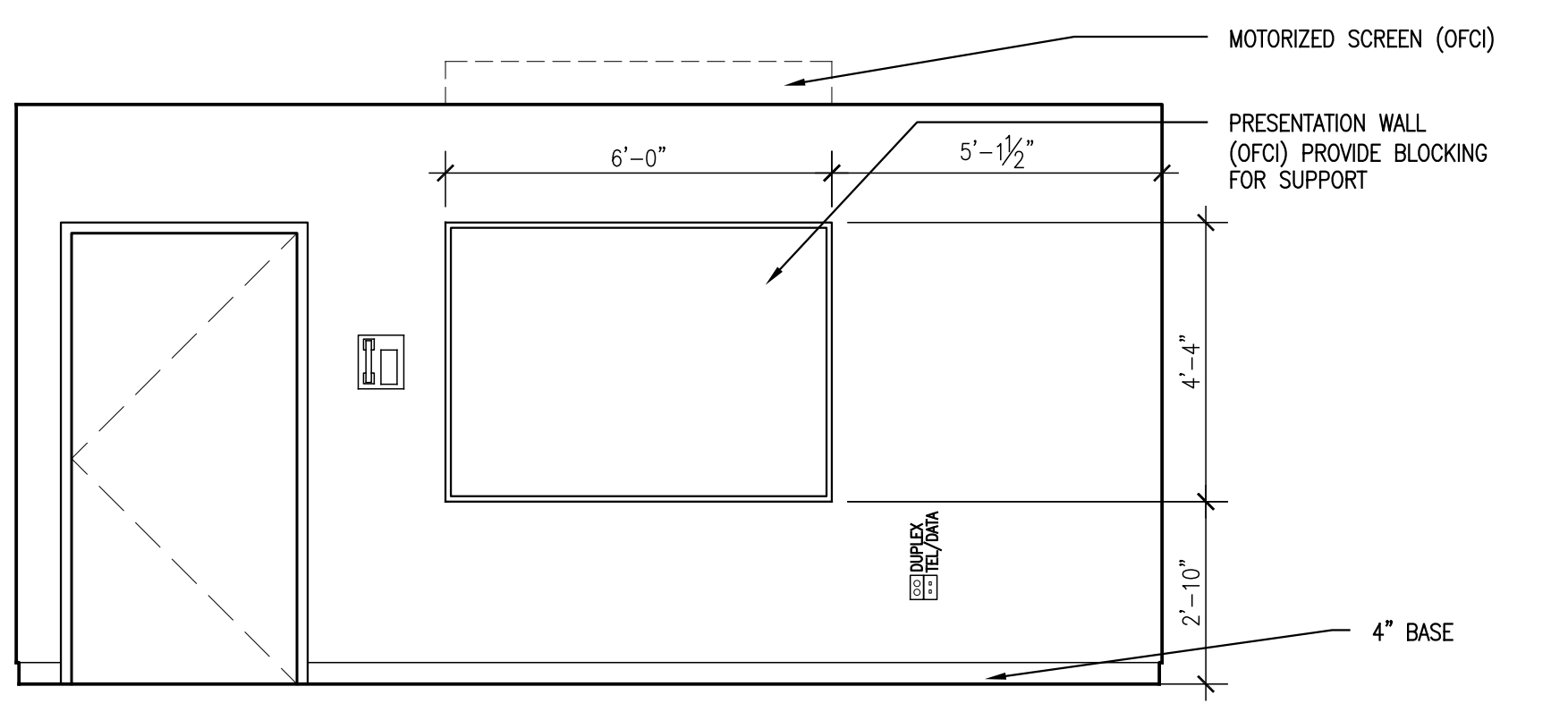
2 NURSERIES #4007-WS
SCALE: 3/8" = 1'-0"



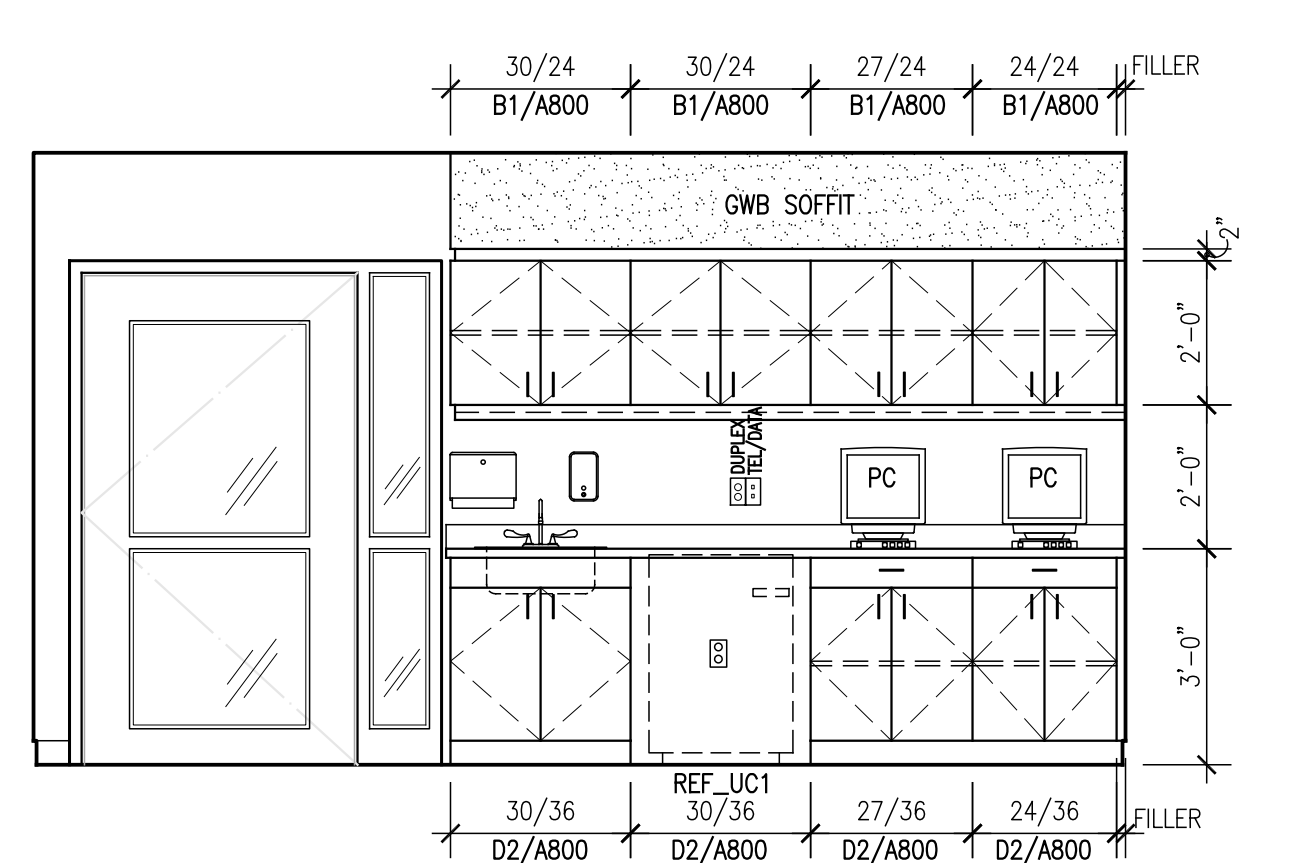
3 NURSERIES #4007-WS
SCALE: 3/8" = 1'-0"



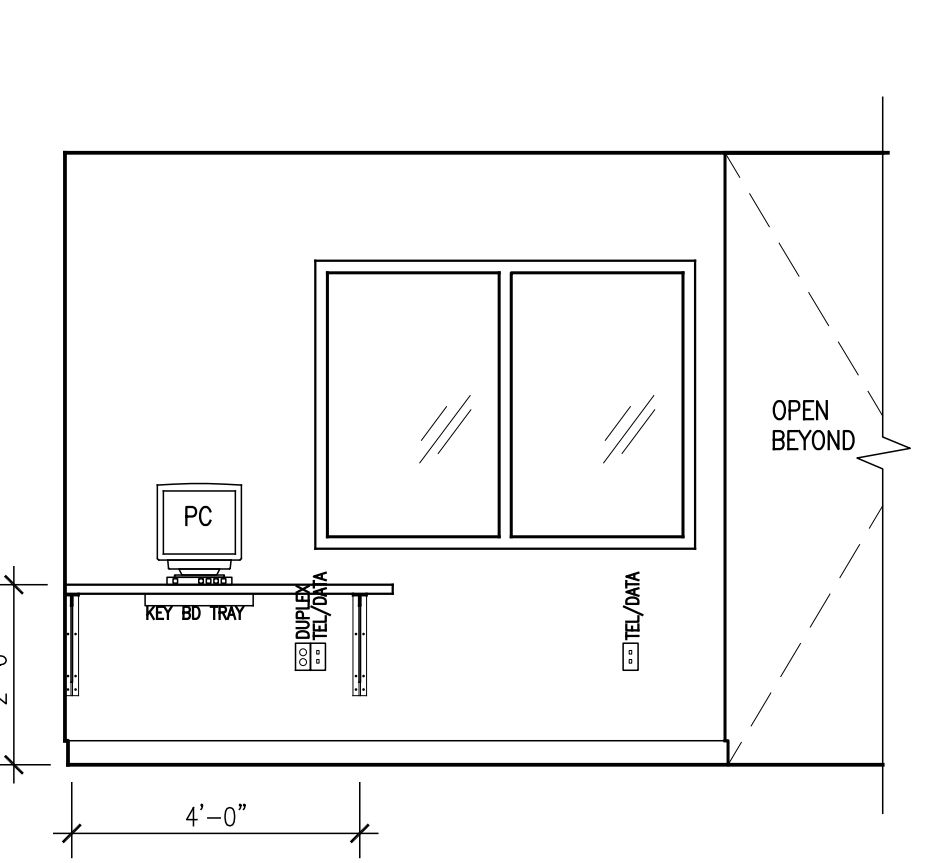
4 NURSERIES #4007-WS
SCALE: 3/8" = 1'-0"



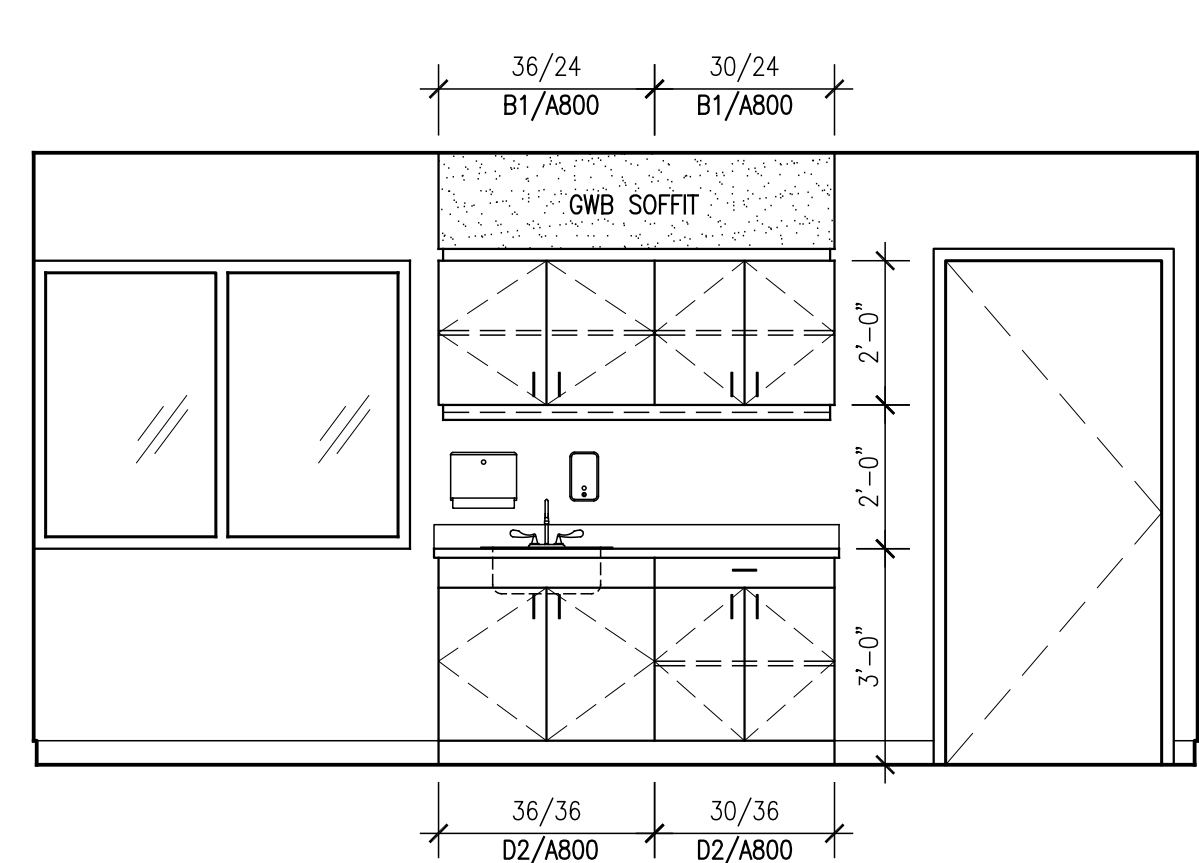
5 CLASSROOM #4004-CF
SCALE: 3/8" = 1'-0"



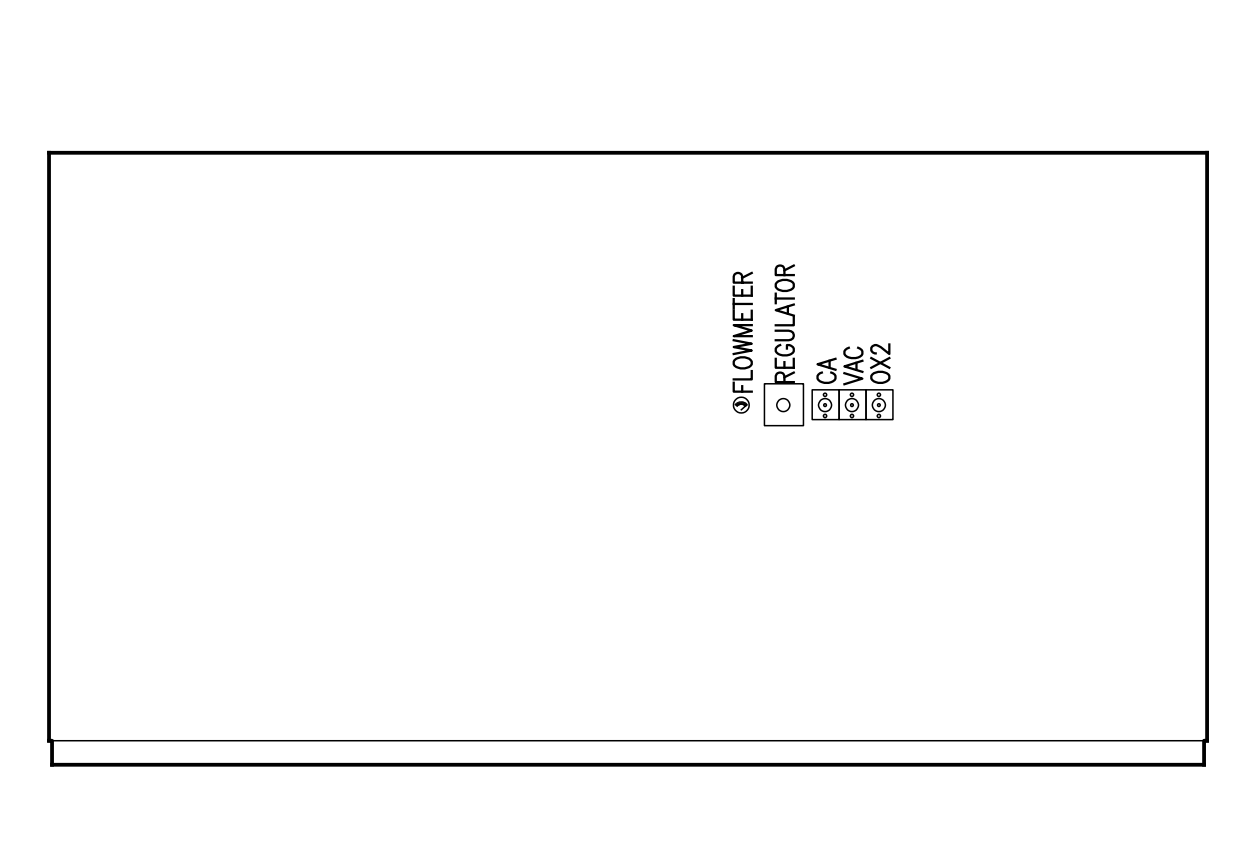
6 WORK AREA #4006-WS
SCALE: 3/8" = 1'-0"



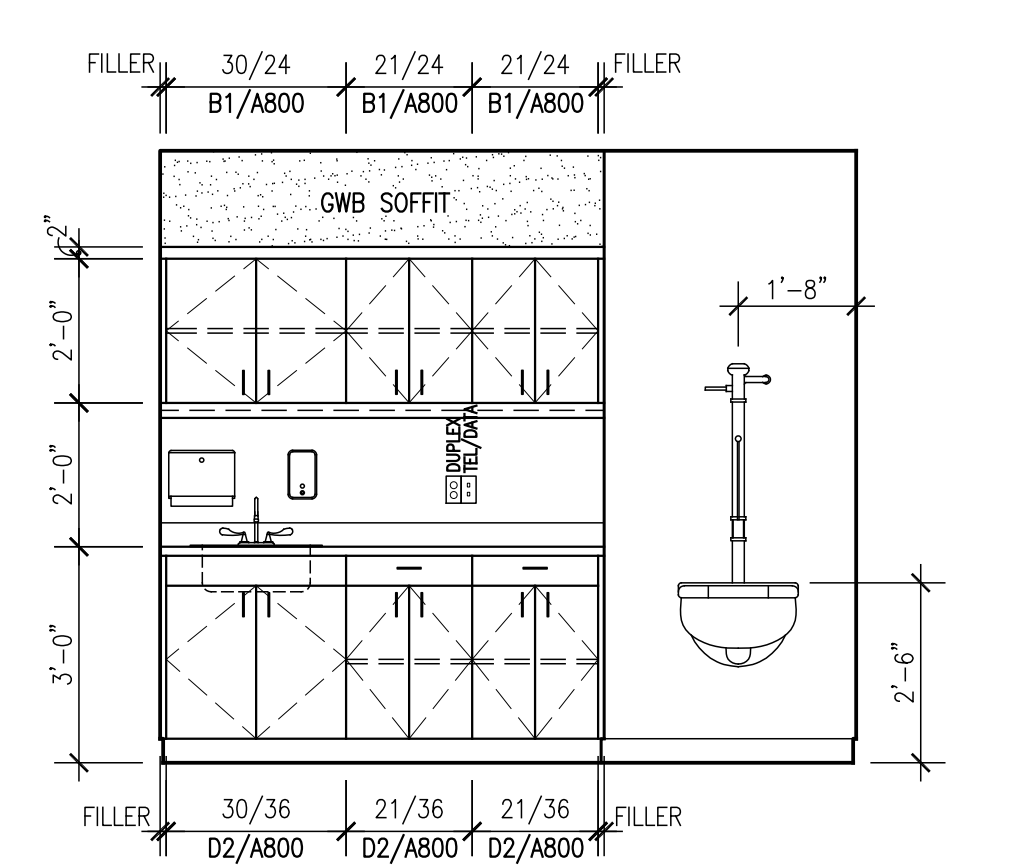
7 WORK AREA #4006-WS
SCALE: 3/8" = 1'-0"



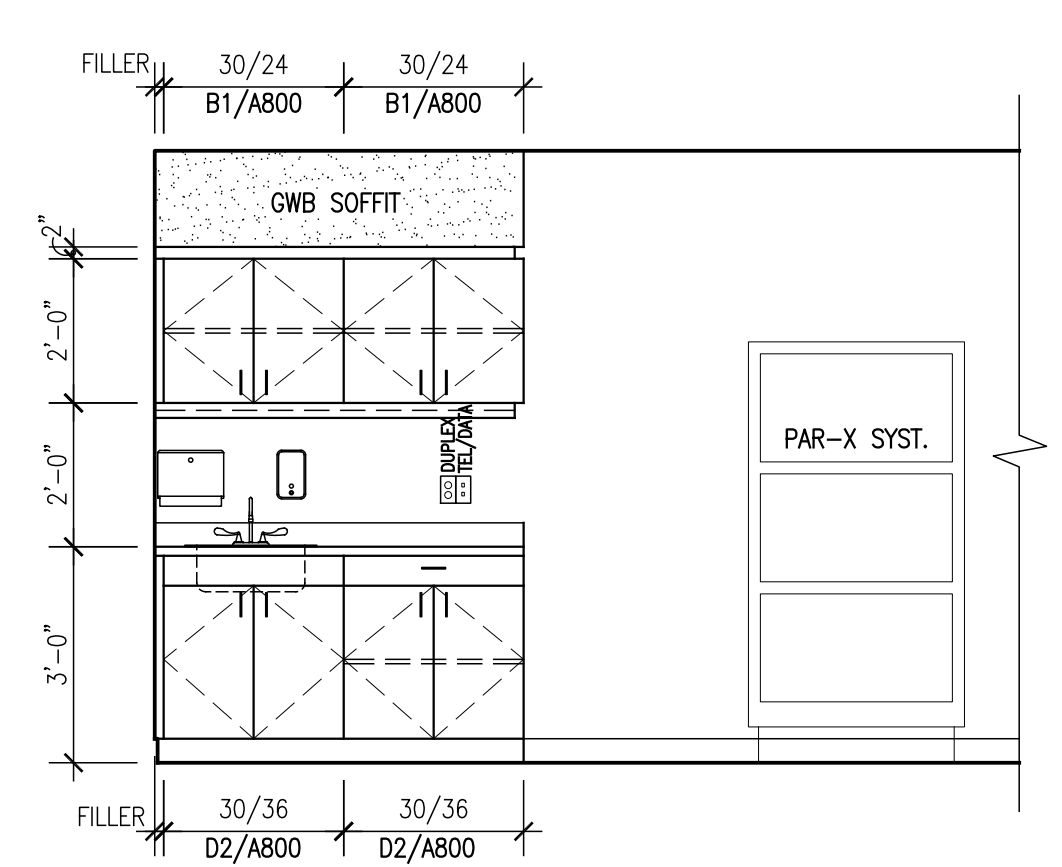
8 PROCEDURE #4009-WS
SCALE: 3/8" = 1'-0"



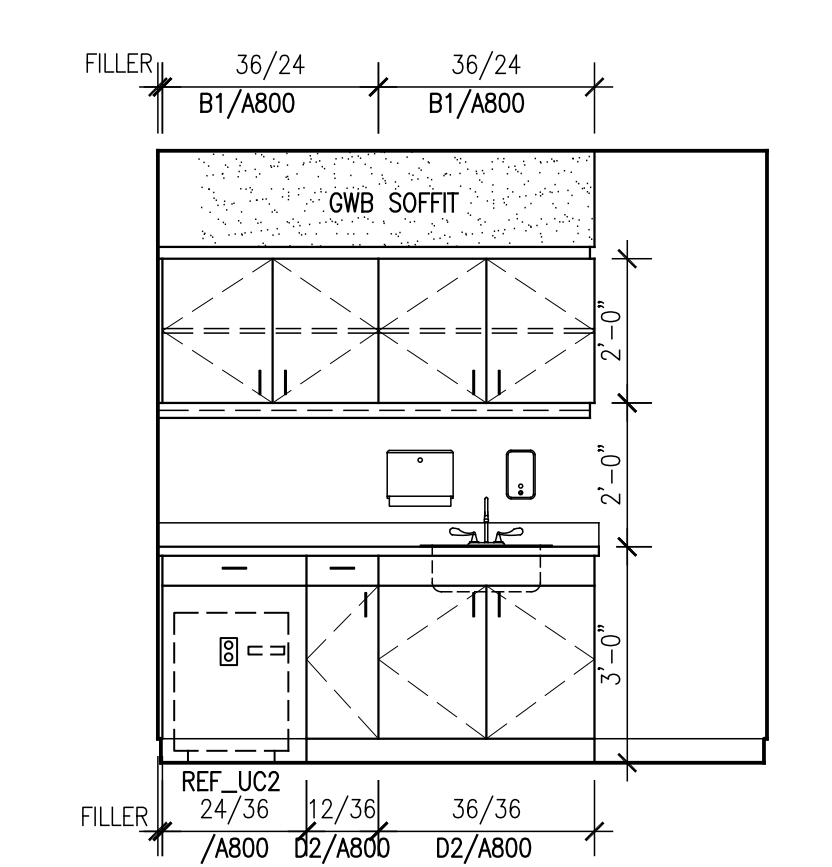
9 PROCEDURE #4009-WS
SCALE: 3/8" = 1'-0"



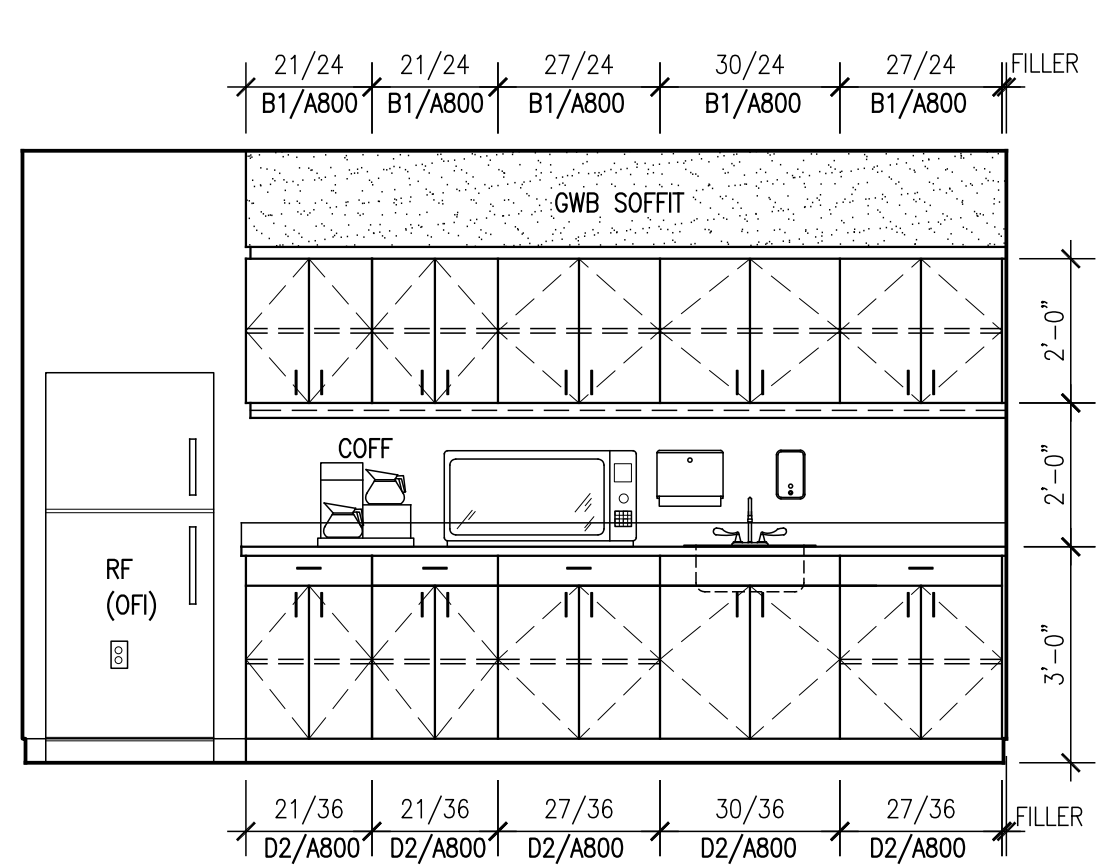
10 SOIL UTILITY #4029-WS
SCALE: 3/8" = 1'-0"



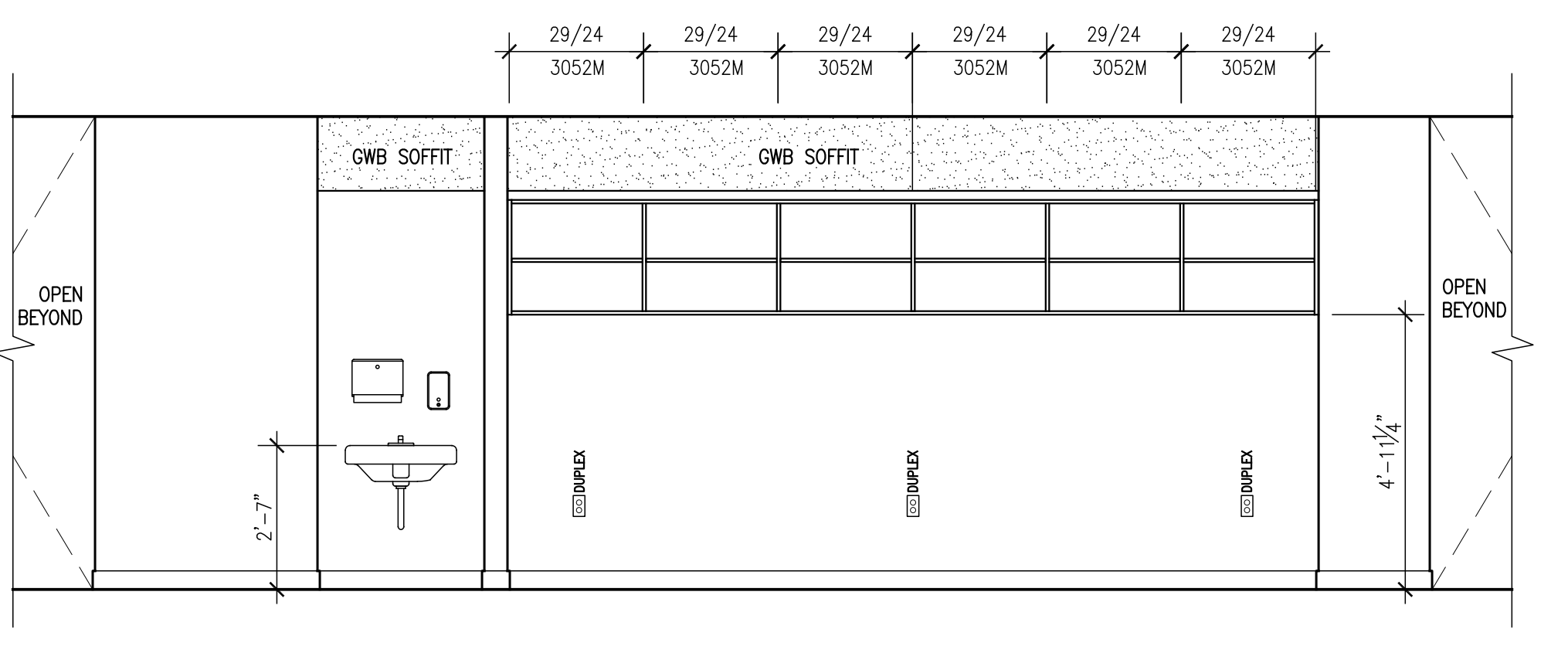
11 CLEAN UTILITY #4025-WS
SCALE: 3/8" = 1'-0"



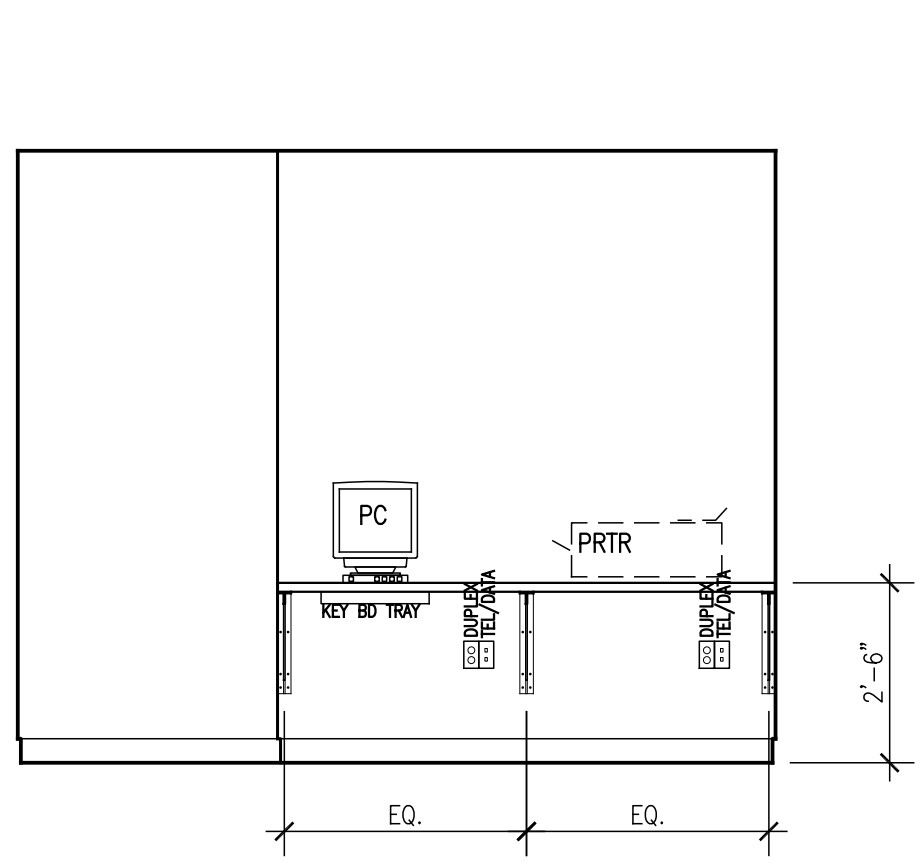
12 MEDS TYP. - WS
SCALE: 3/8" = 1'-0"



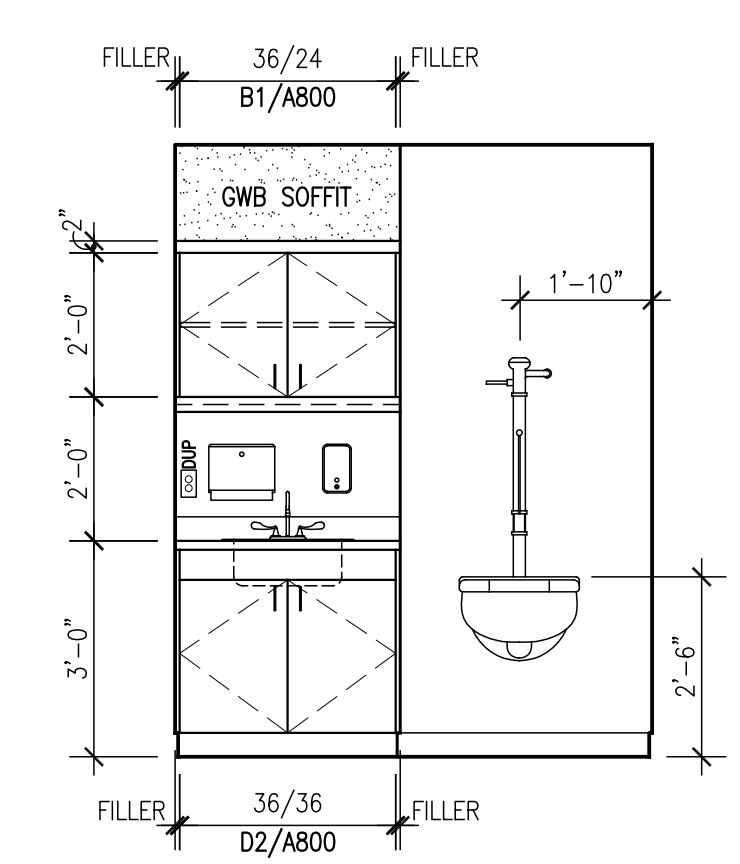
13 NOUR #4019-WS
SCALE: 3/8" = 1'-0"



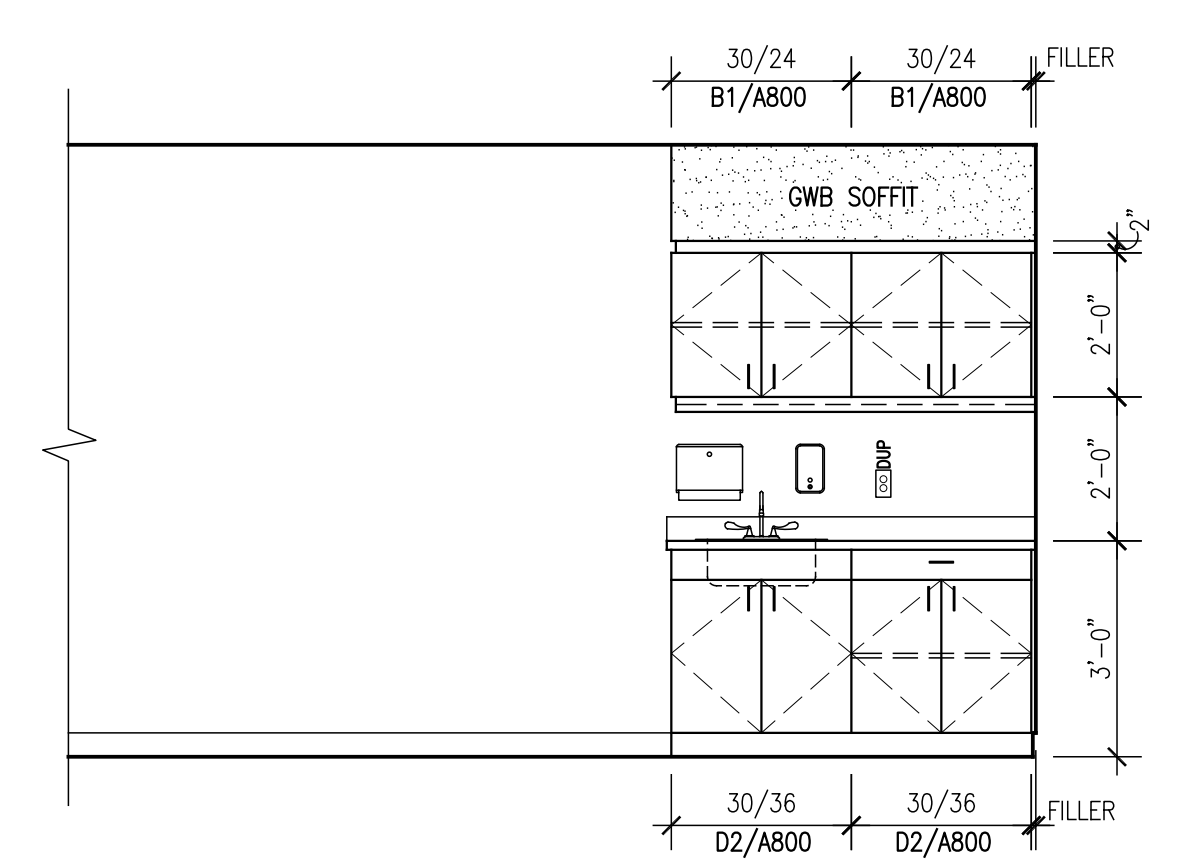
14 ALCOVE #4012A-WS
SCALE: 3/8" = 1'-0"



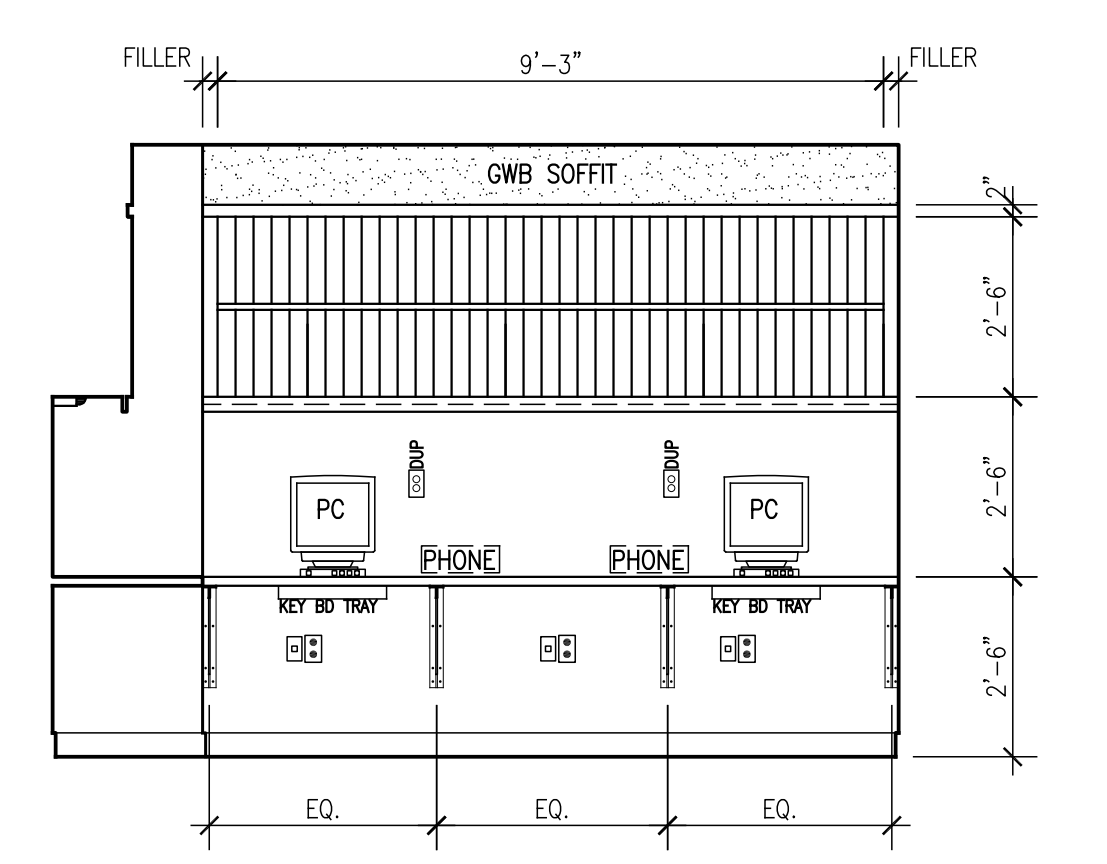
15 SOC WORK OFFICE #4067-SS
SCALE: 3/8" = 1'-0"



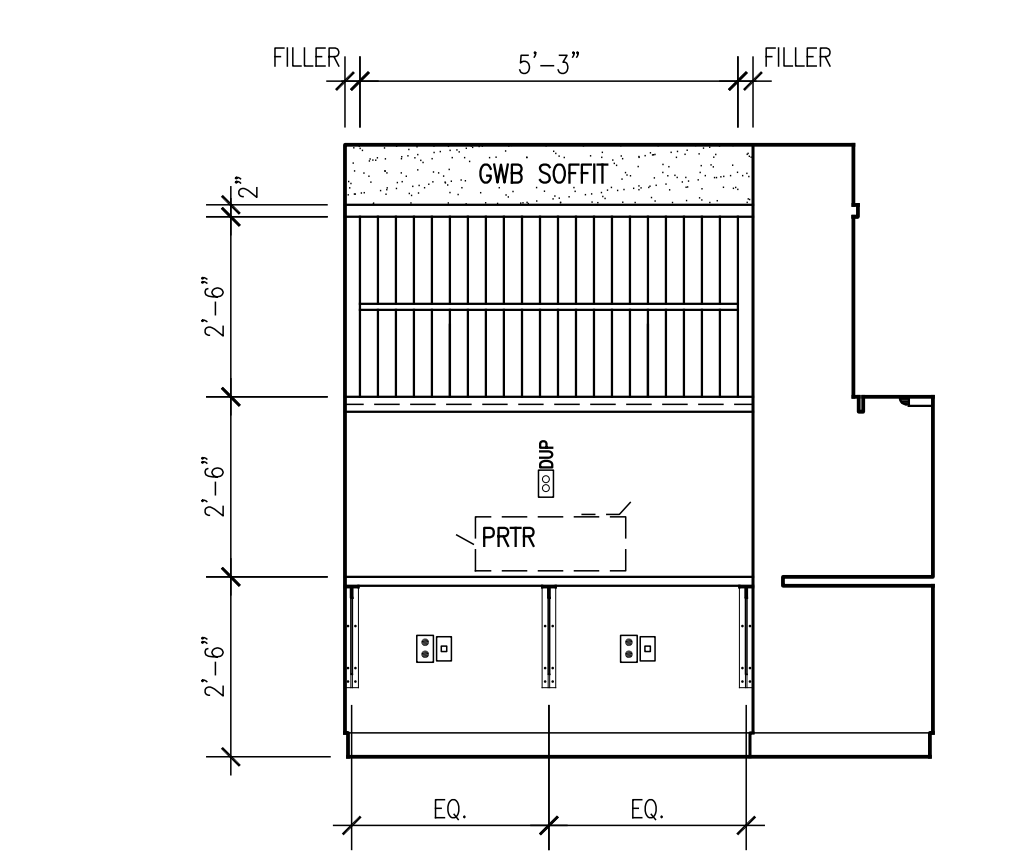
16 SOIL UTILITY #4052-WS
SCALE: 3/8" = 1'-0"



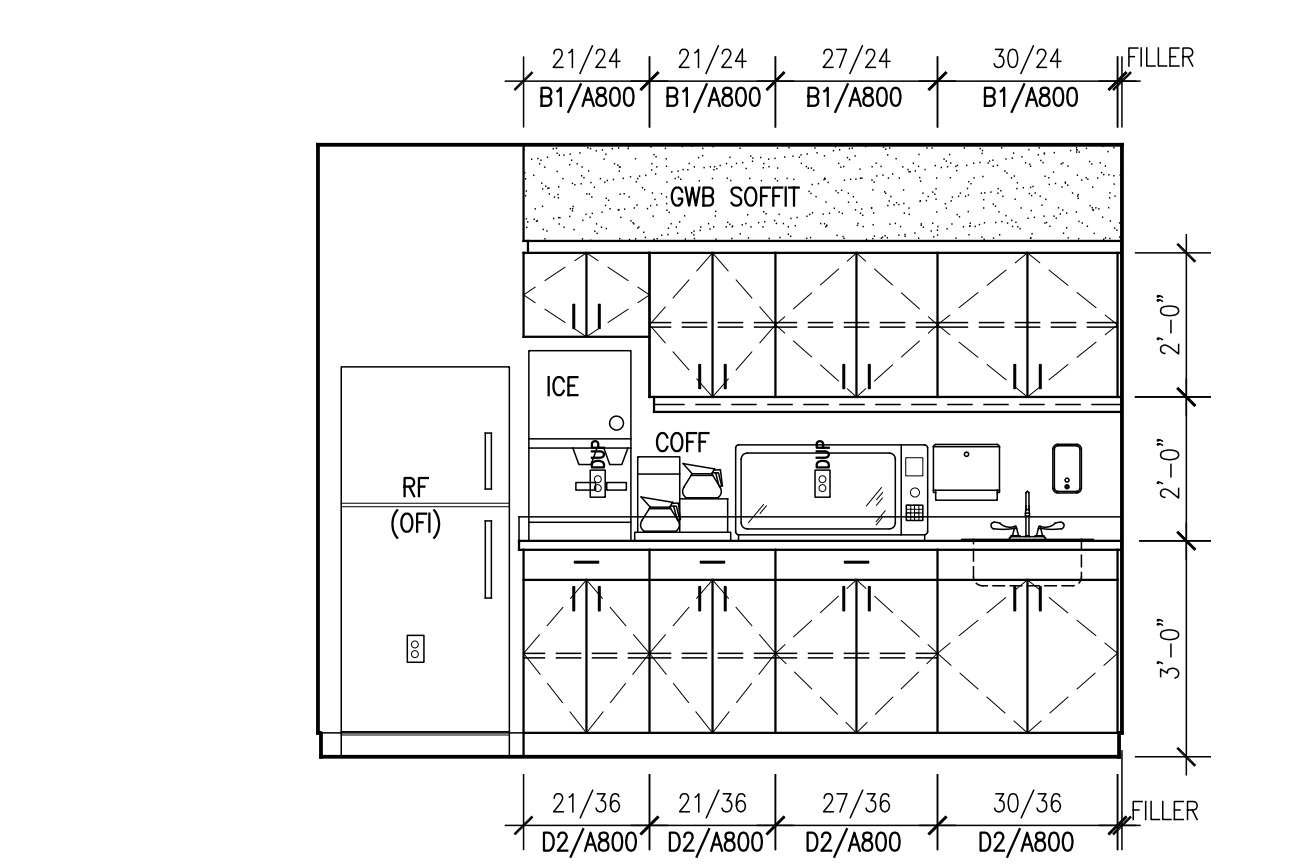
17 CLEAN UTILITY #4053-WS
SCALE: 3/8" = 1'-0"



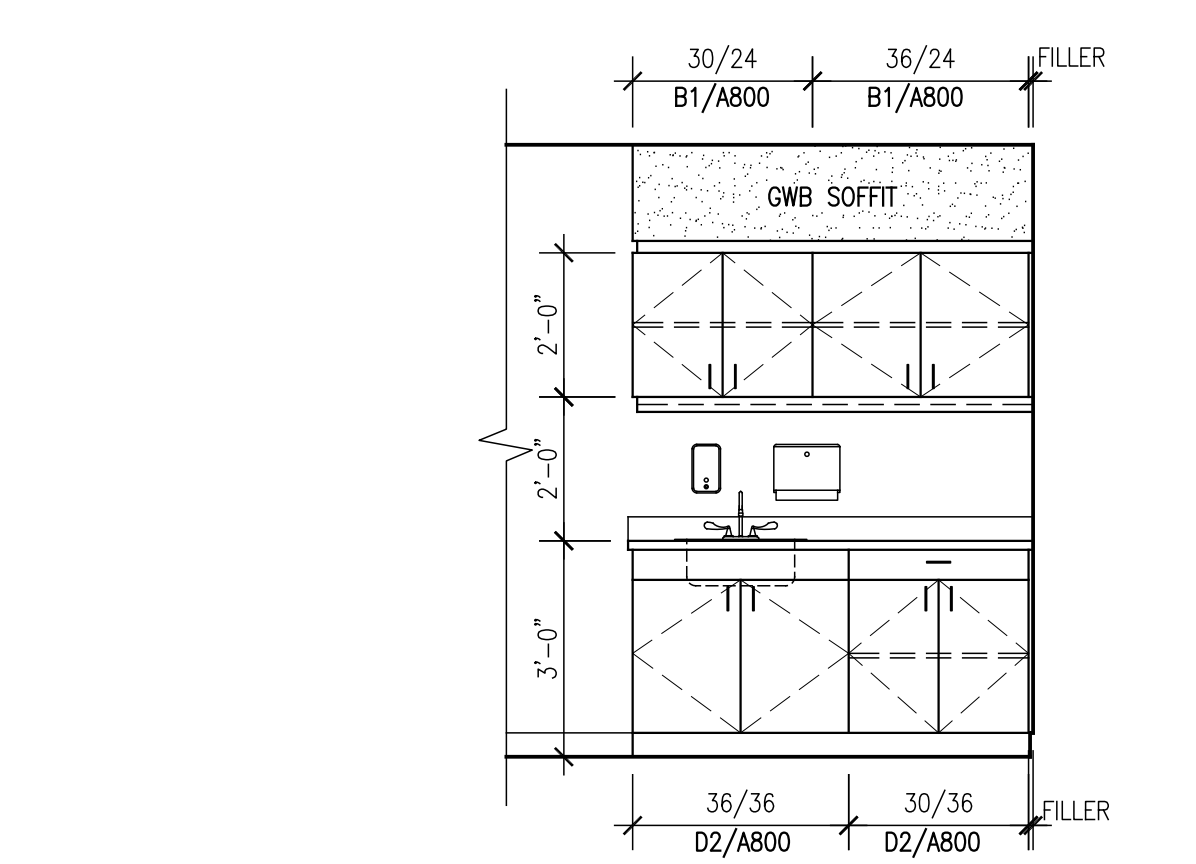
18 LACT CONSULT OFFICE #4063-WS
SCALE: 3/8" = 1'-0"



19 LACT CONSULT OFFICE #4063-WS
SCALE: 3/8" = 1'-0"



20 NOURISHMENT #4065-WS
SCALE: 3/8" = 1'-0"

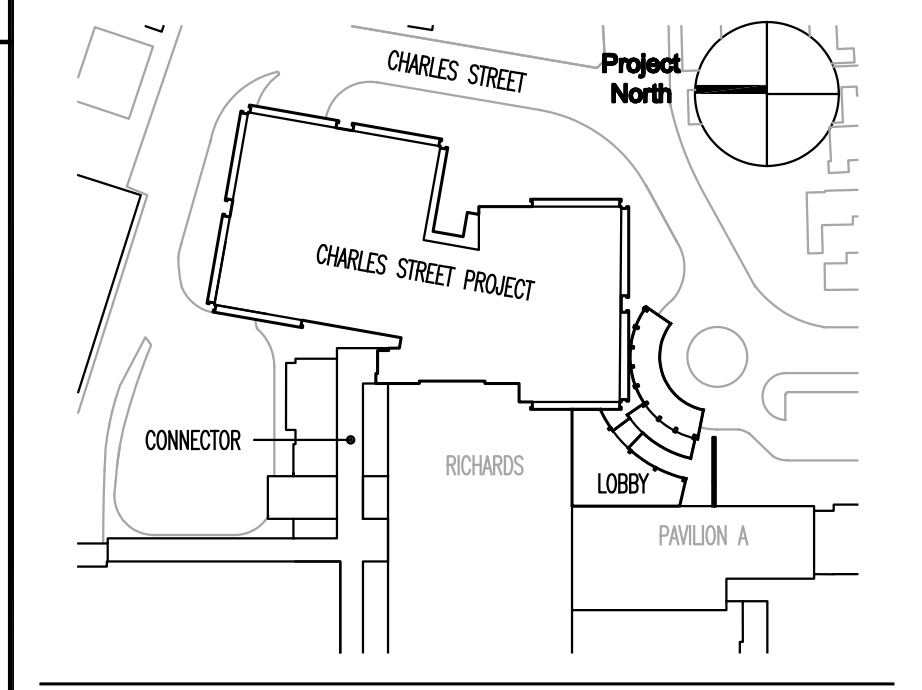


21 MEDS #4057-WS
SCALE: 3/8" = 1'-0"

FOR PERMIT ONLY
NOT FOR CONSTRUCTION

PERMIT 09/24/04 PERMIT SET - NOT FOR CONSTRUCTION

Issue Log



Key Plan

TRO
ARCHITECTURE
PLANNING
ENGINEERING
INTERIOR DESIGN

The Ritchie Organization
80 Bridge Street
Newton, MA 02459-1194
617-552-9400

Maine Medical Center
Charles Street Project
Portland, Maine MMC Project No. 21841

Drawing Title
**FOURTH FLOOR
INTERIOR ELEVATIONS
SHEET 1**

Commission No.	4673	Date Issued	
Scale	AS NOTED	Sheet Number	
Drawn By	JW		
Approved By	TML		
Filename	4673A704.1.dwg		
Copyright	© 2004 The Ritchie Organization		

A704.1