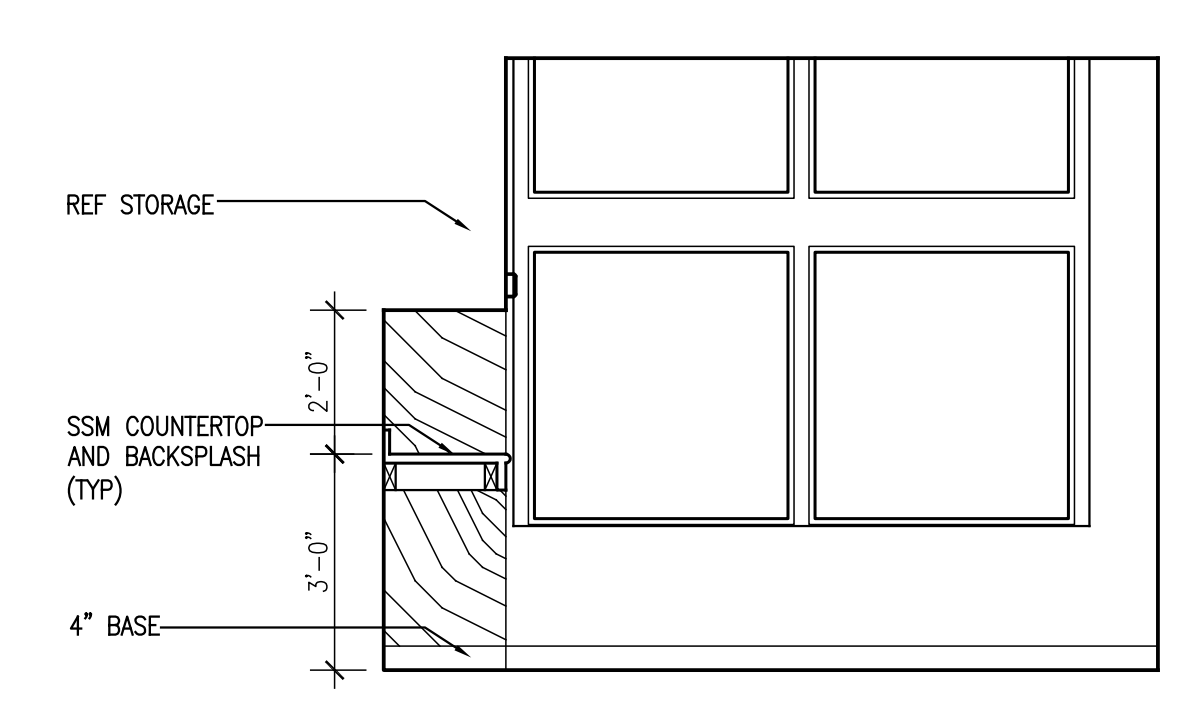
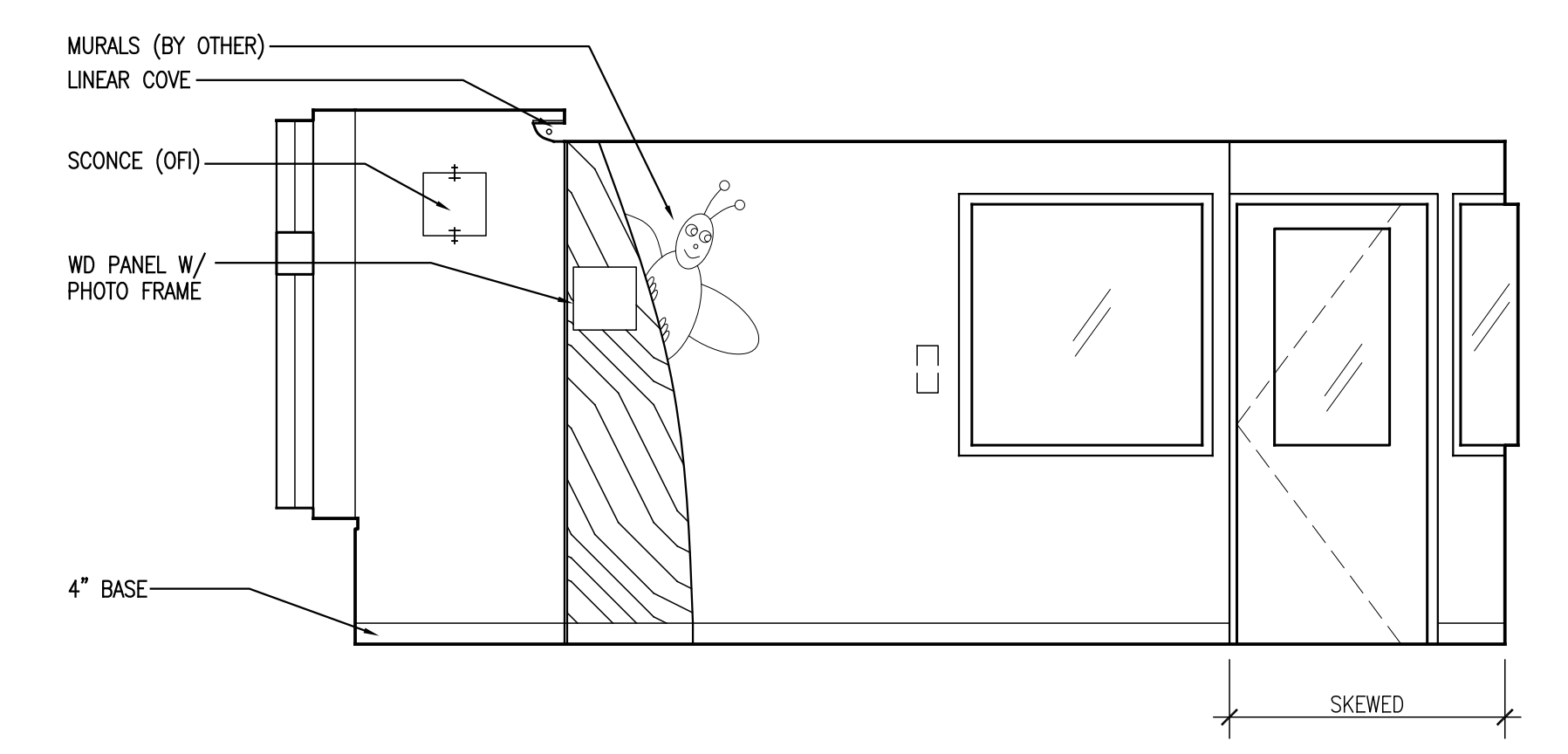


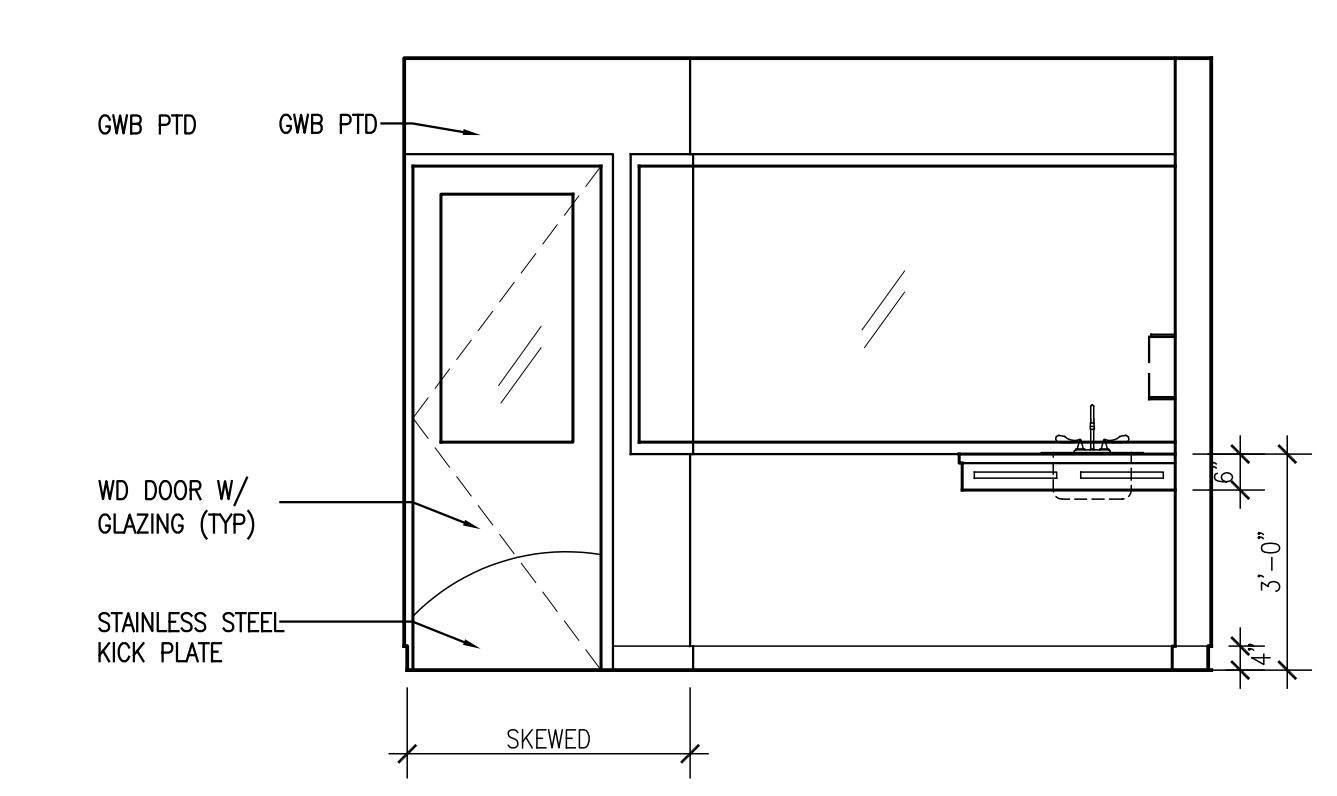
1 NICU HEADWALL  
SCALE: 3/8" = 1'-0"



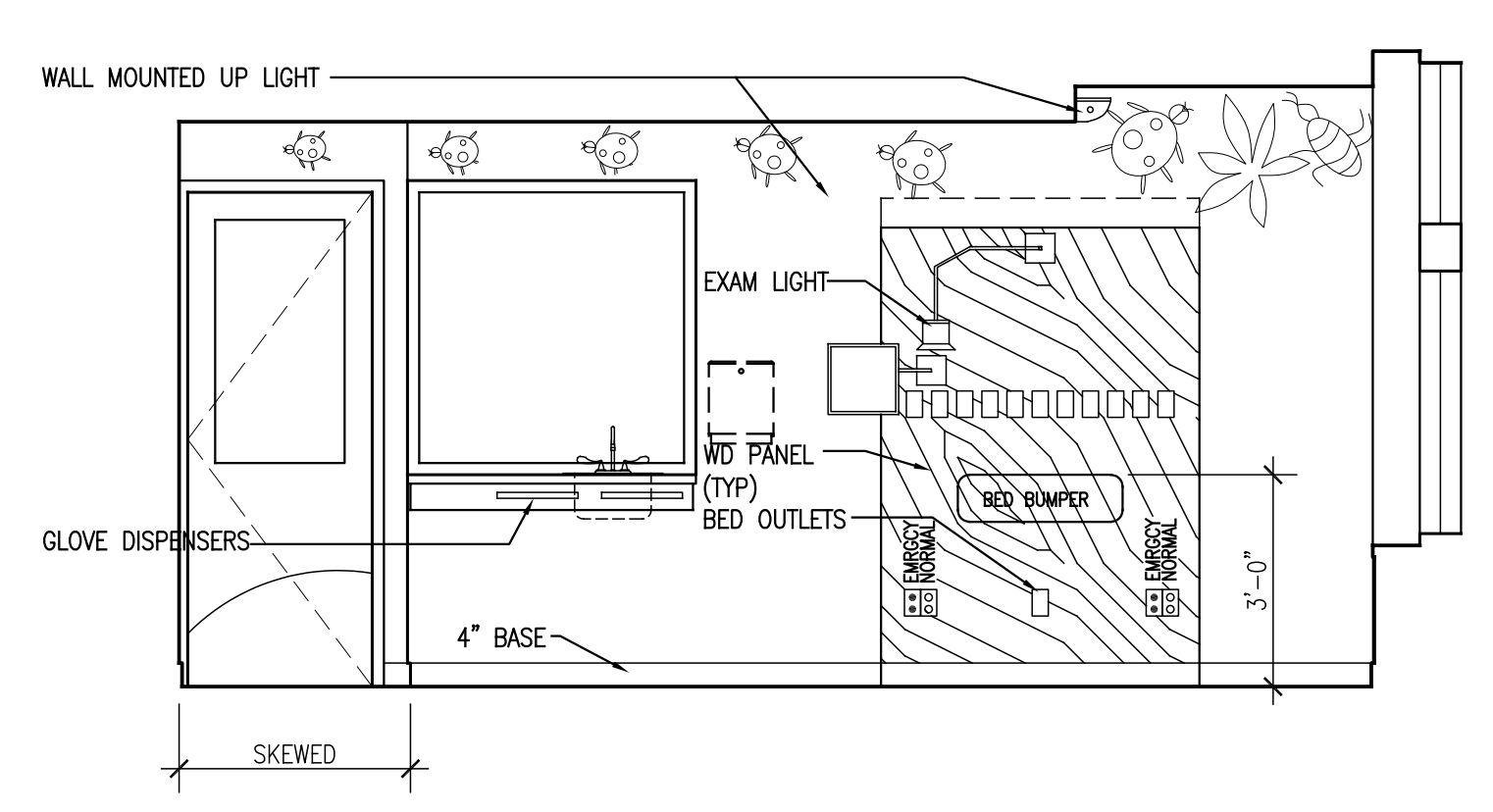
2 NICU WINDOW WALL  
SCALE: 3/8" = 1'-0"



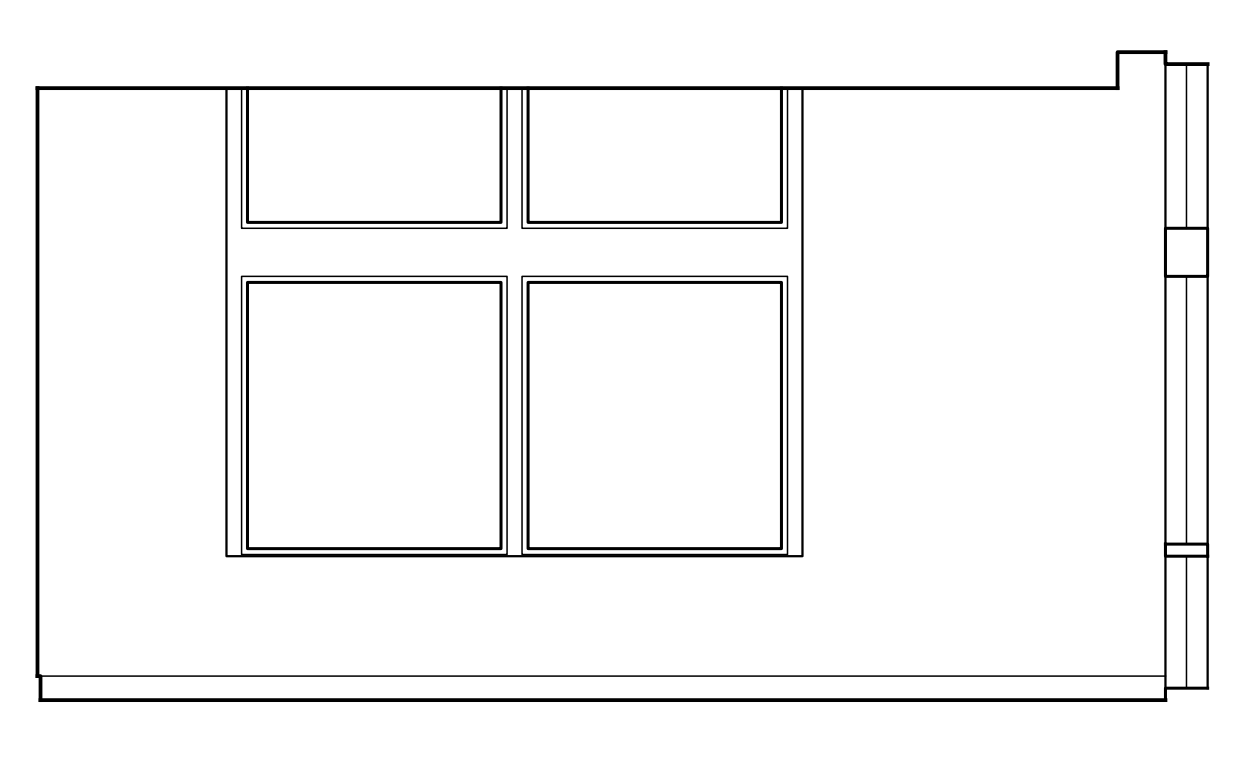
3 NICU FAMILY WALL  
SCALE: 3/8" = 1'-0"



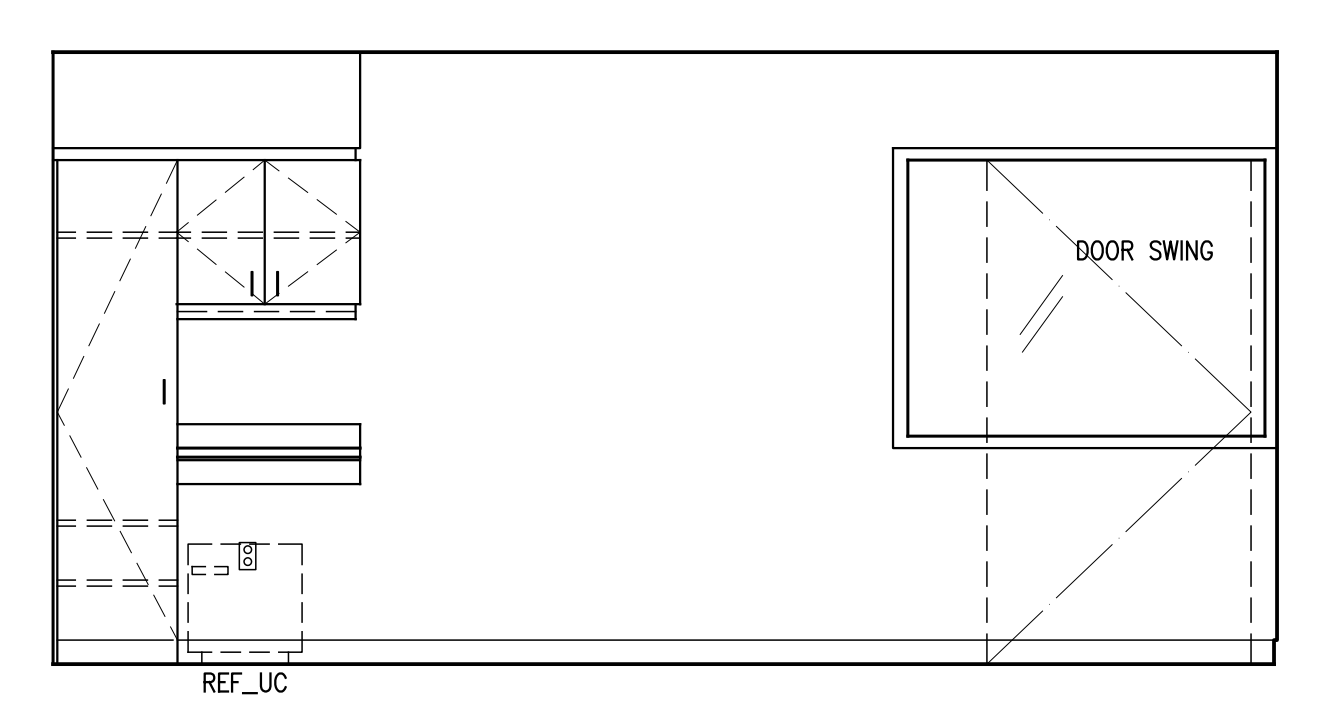
4 NICU ENTRY WALL  
SCALE: 3/8" = 1'-0"



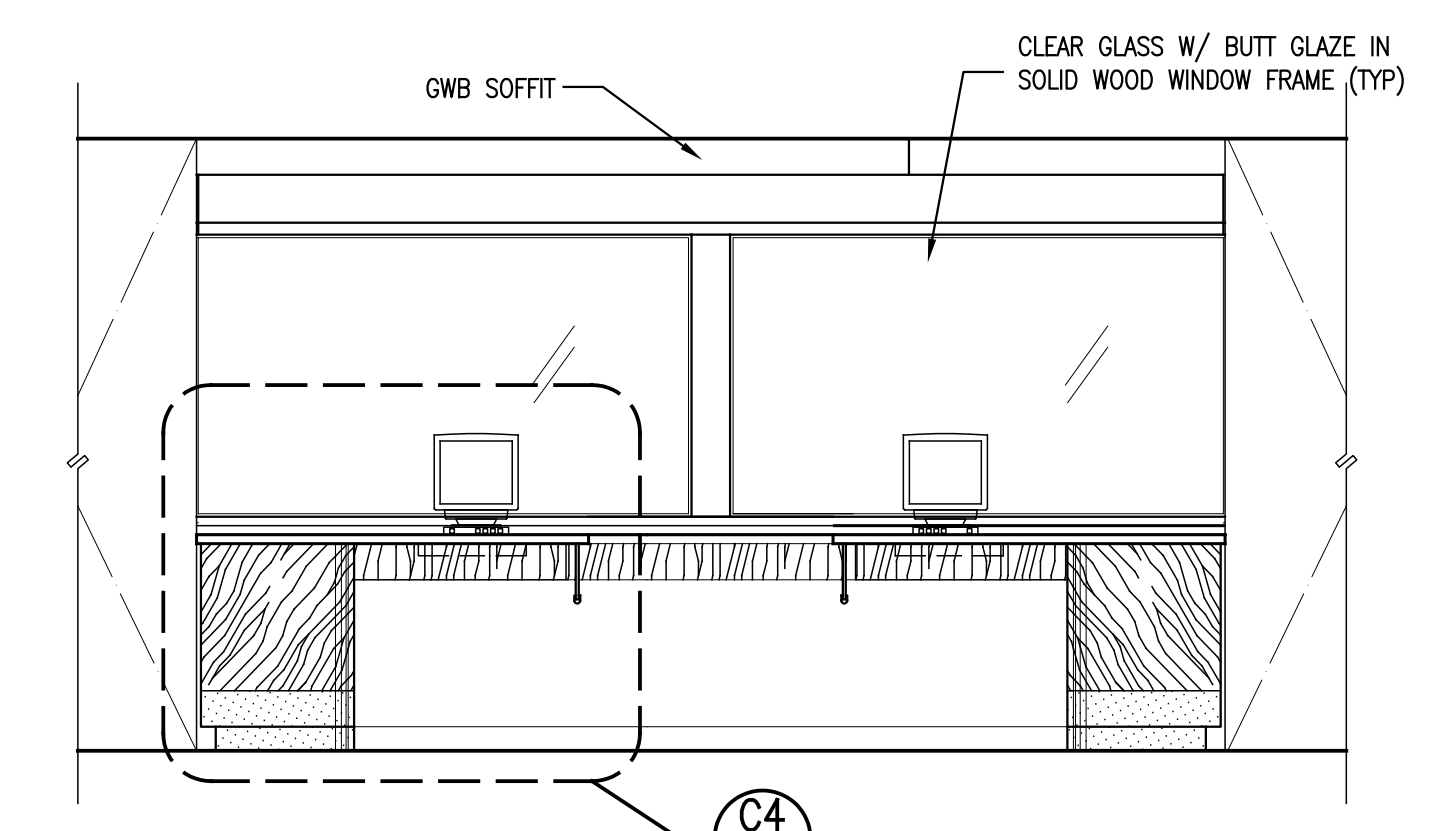
5 NICU HEADWALL  
SCALE: 3/8" = 1'-0"



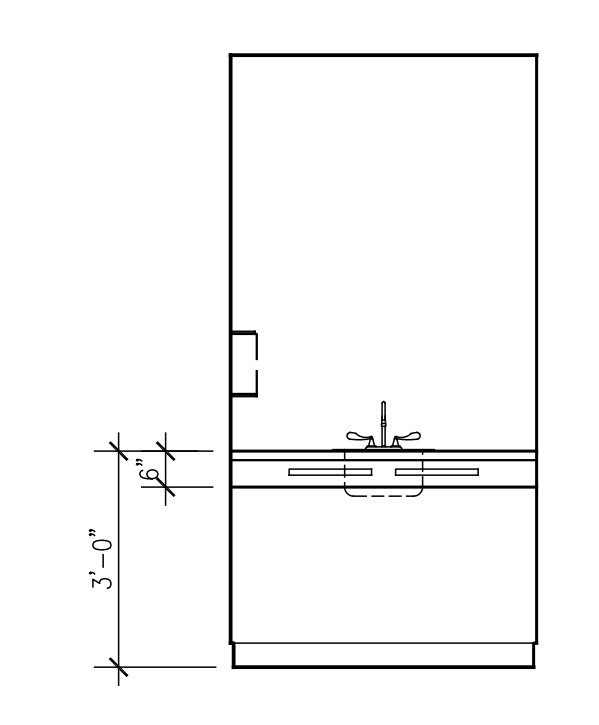
6 NICU WINDOW WALL  
SCALE: 3/8" = 1'-0"



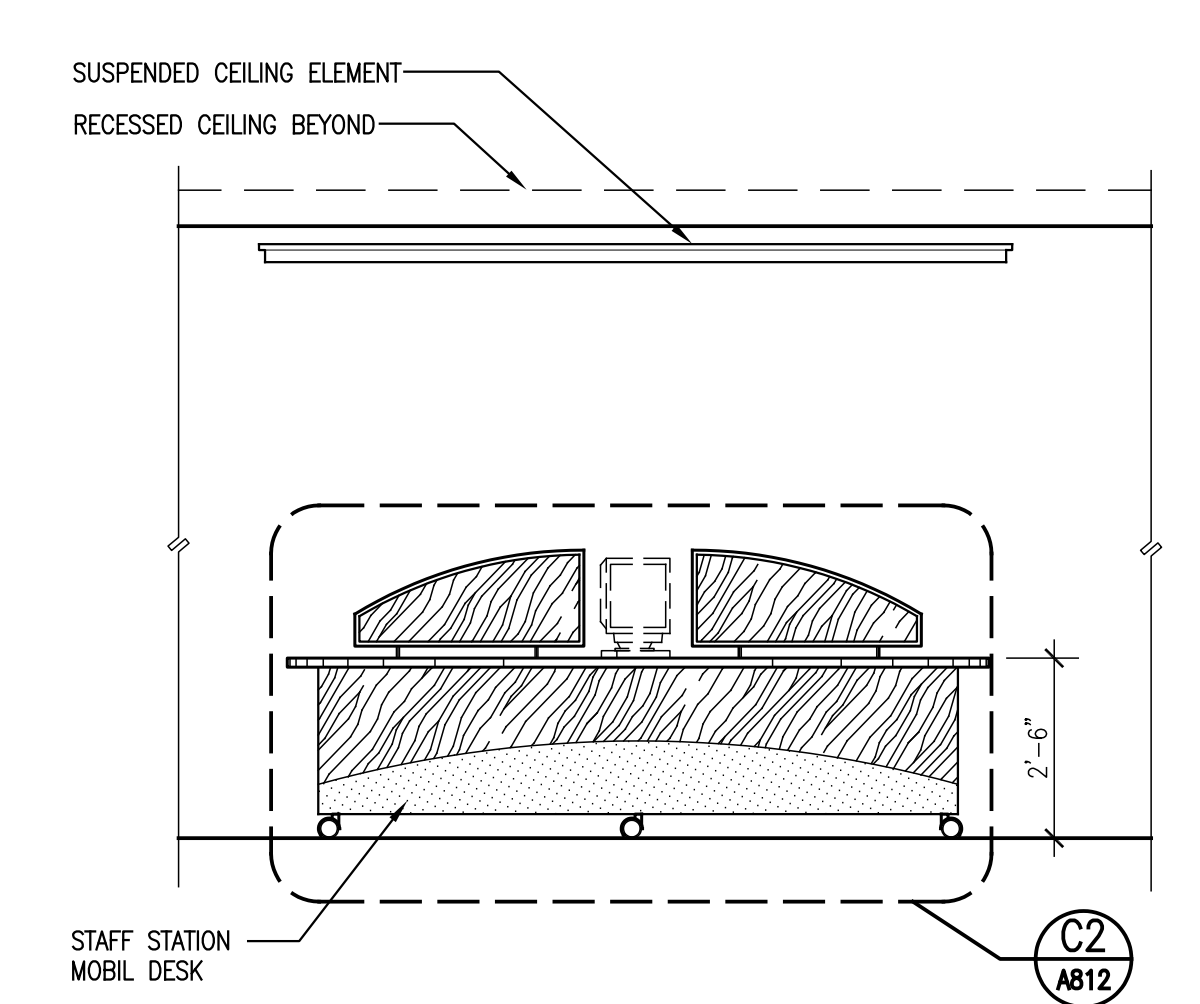
7 NICU WINDOW WALL  
SCALE: 3/8" = 1'-0"



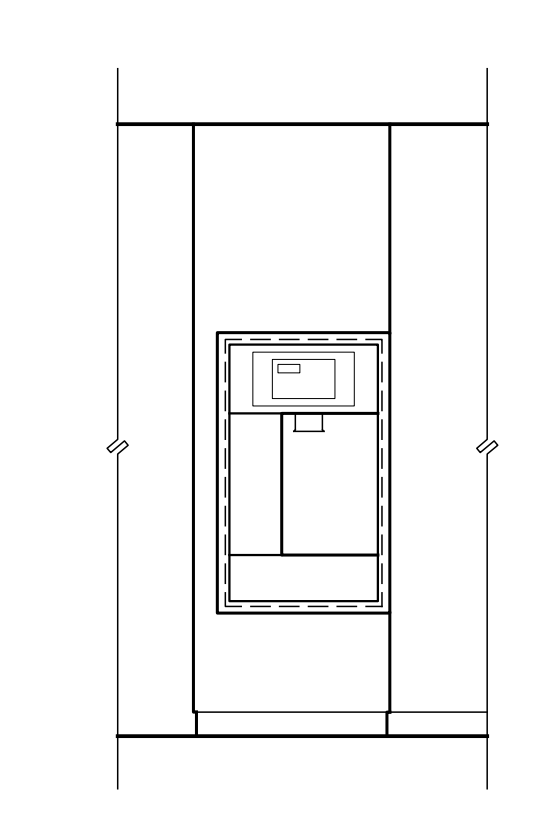
8 NICU CORRIDOR 3028B-CC  
SIM 3028C-CC, 3018B-CC, 3018C-CC, 3035B-CC & 3035C-CC  
SCALE: 3/8" = 1'-0"



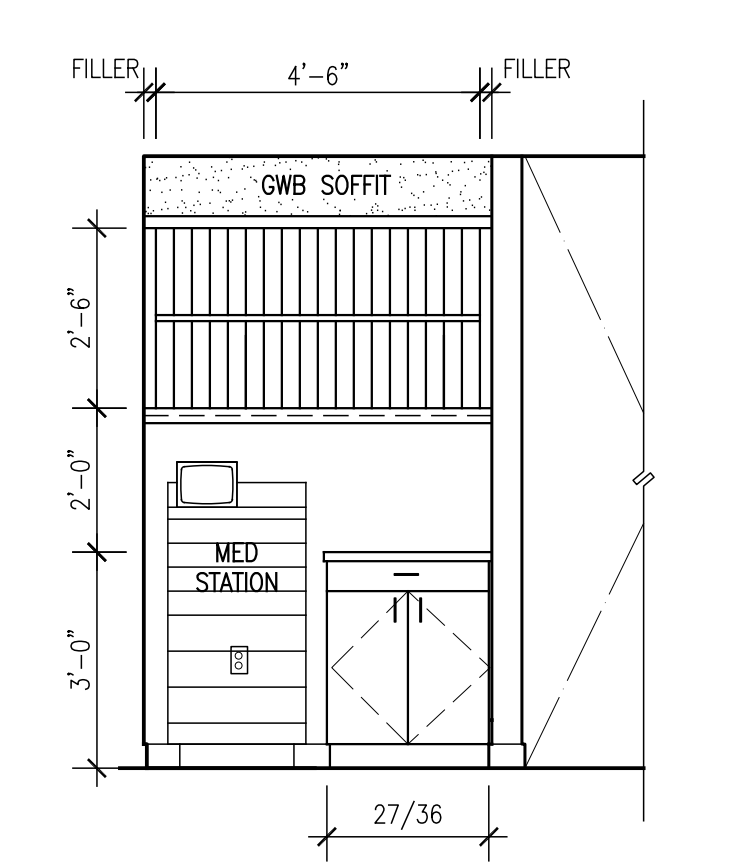
9 ANTE ROOM #3720A-CC  
SIM 3701A-CC  
SCALE: 3/8" = 1'-0"



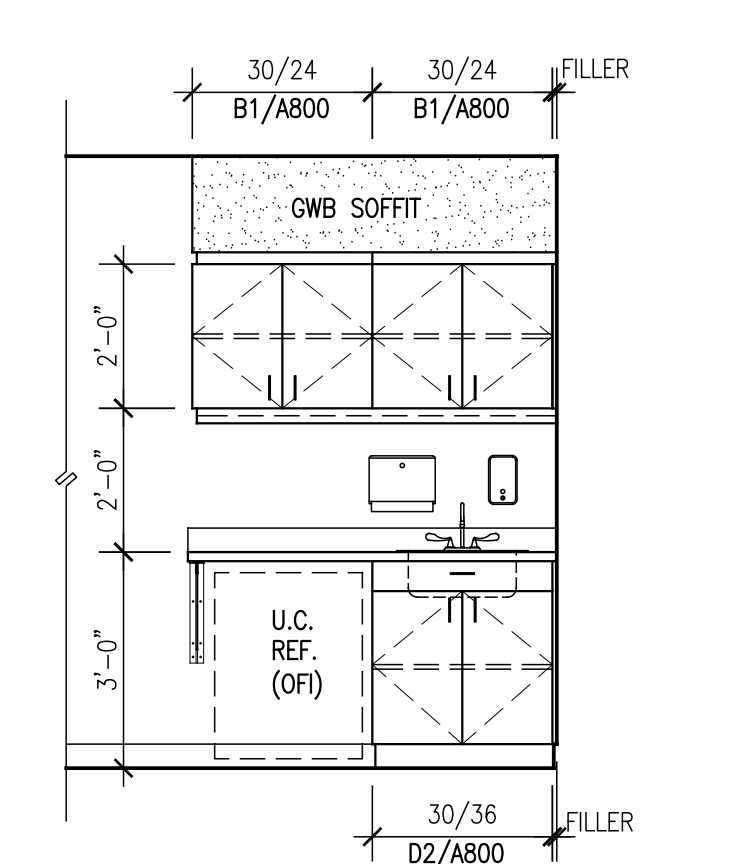
10 STAFF STATION #3028-SS  
SCALE: 3/8" = 1'-0"



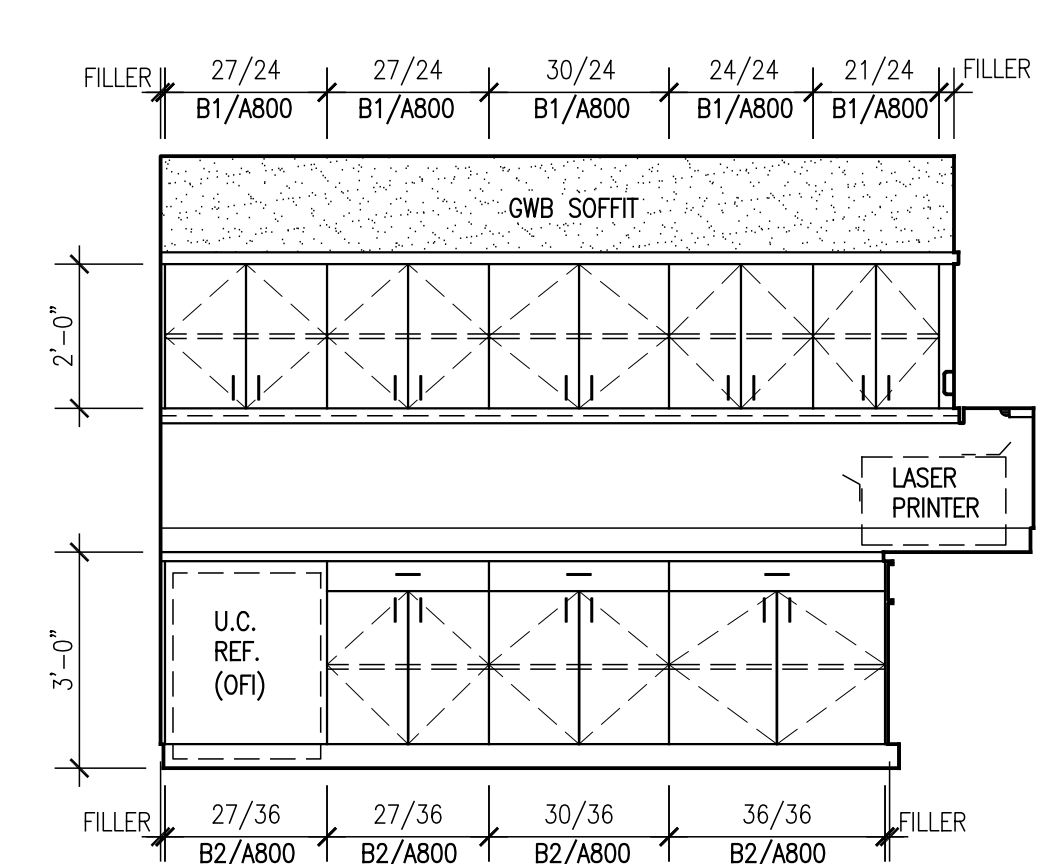
11 STAFF STATION #3028-SS  
SCALE: 3/8" = 1'-0"



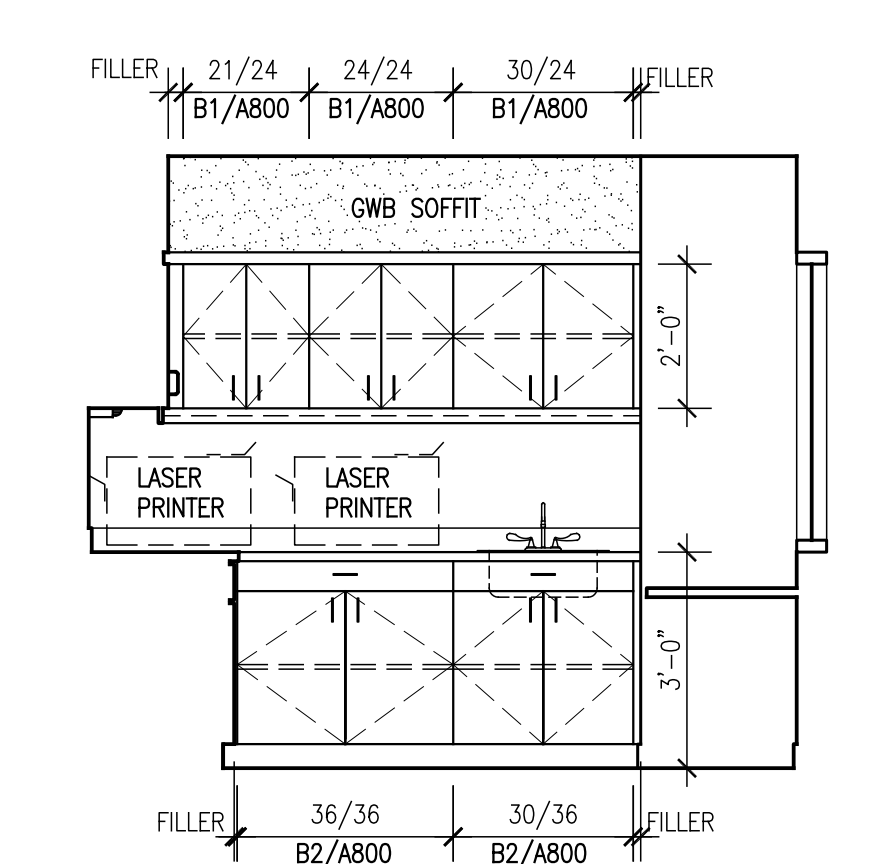
12 STAFF STATION #3028-CC  
SCALE: 3/8" = 1'-0"



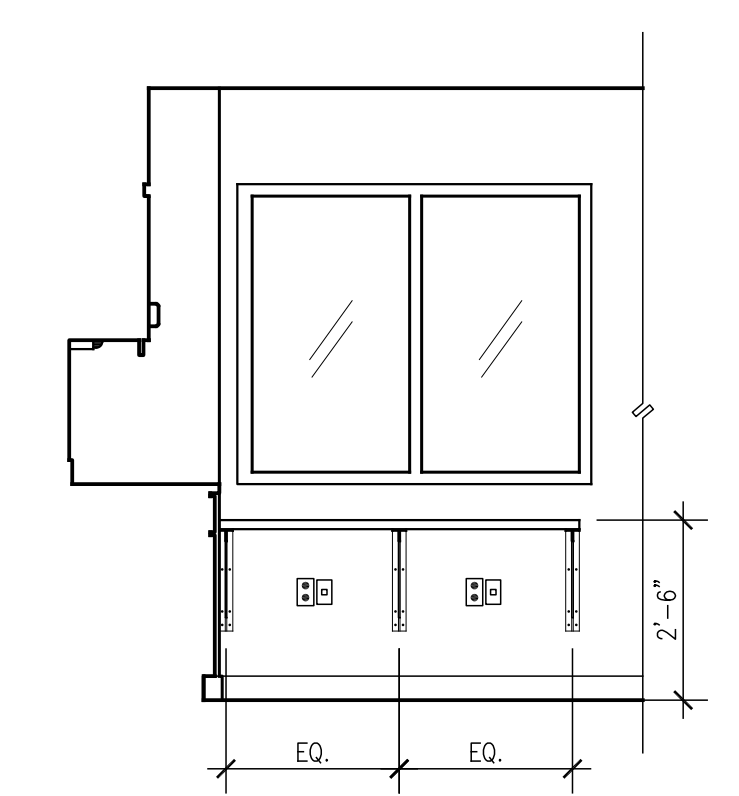
13 MEDS #3027-CC  
SCALE: 3/8" = 1'-0"



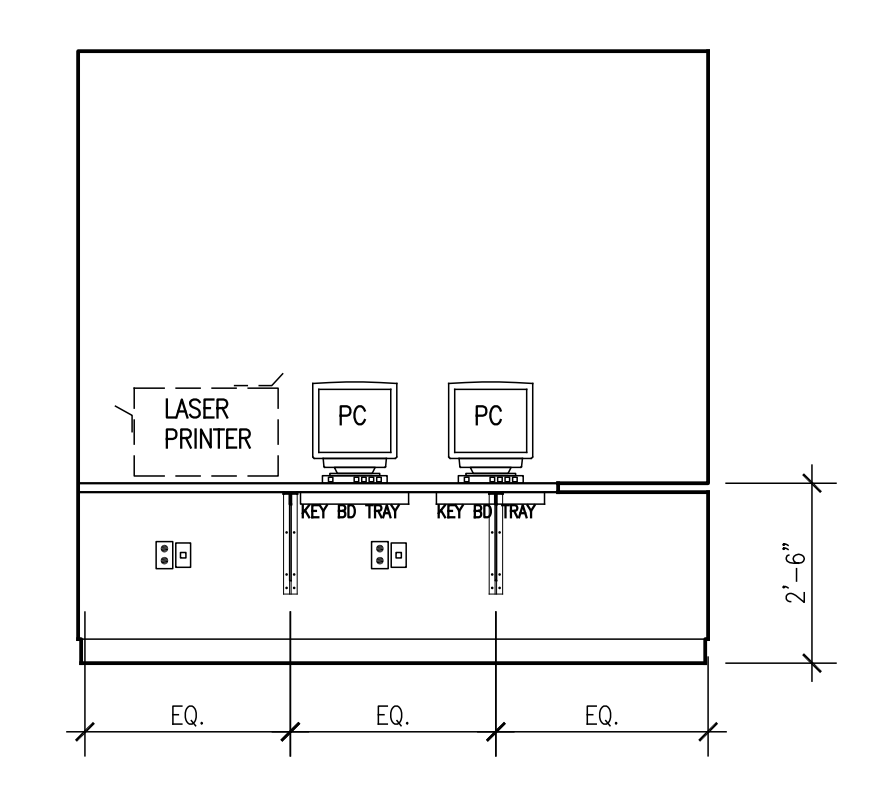
14 STAT LAB #3026-RE  
SCALE: 3/8" = 1'-0"



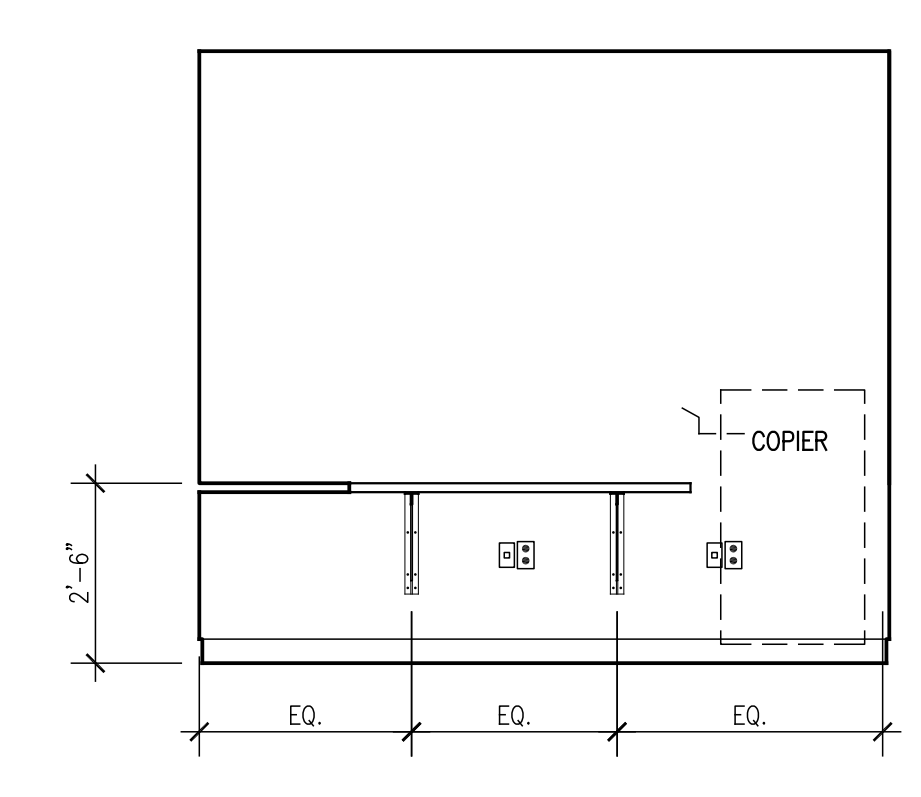
15 STAT LAB #3026-RE  
SCALE: 3/8" = 1'-0"



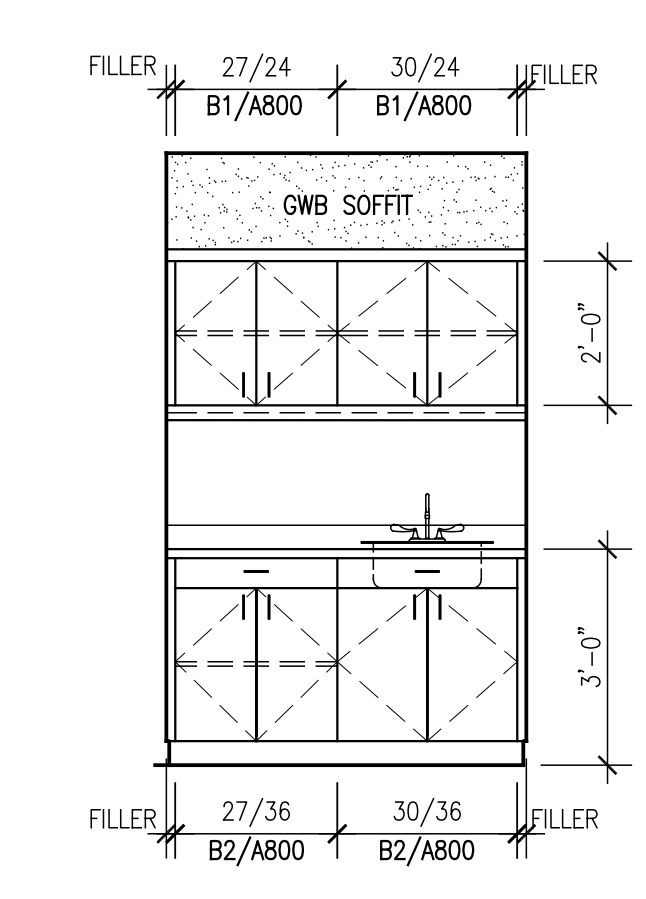
16 STAT LAB #3026-RE  
SCALE: 3/8" = 1'-0"



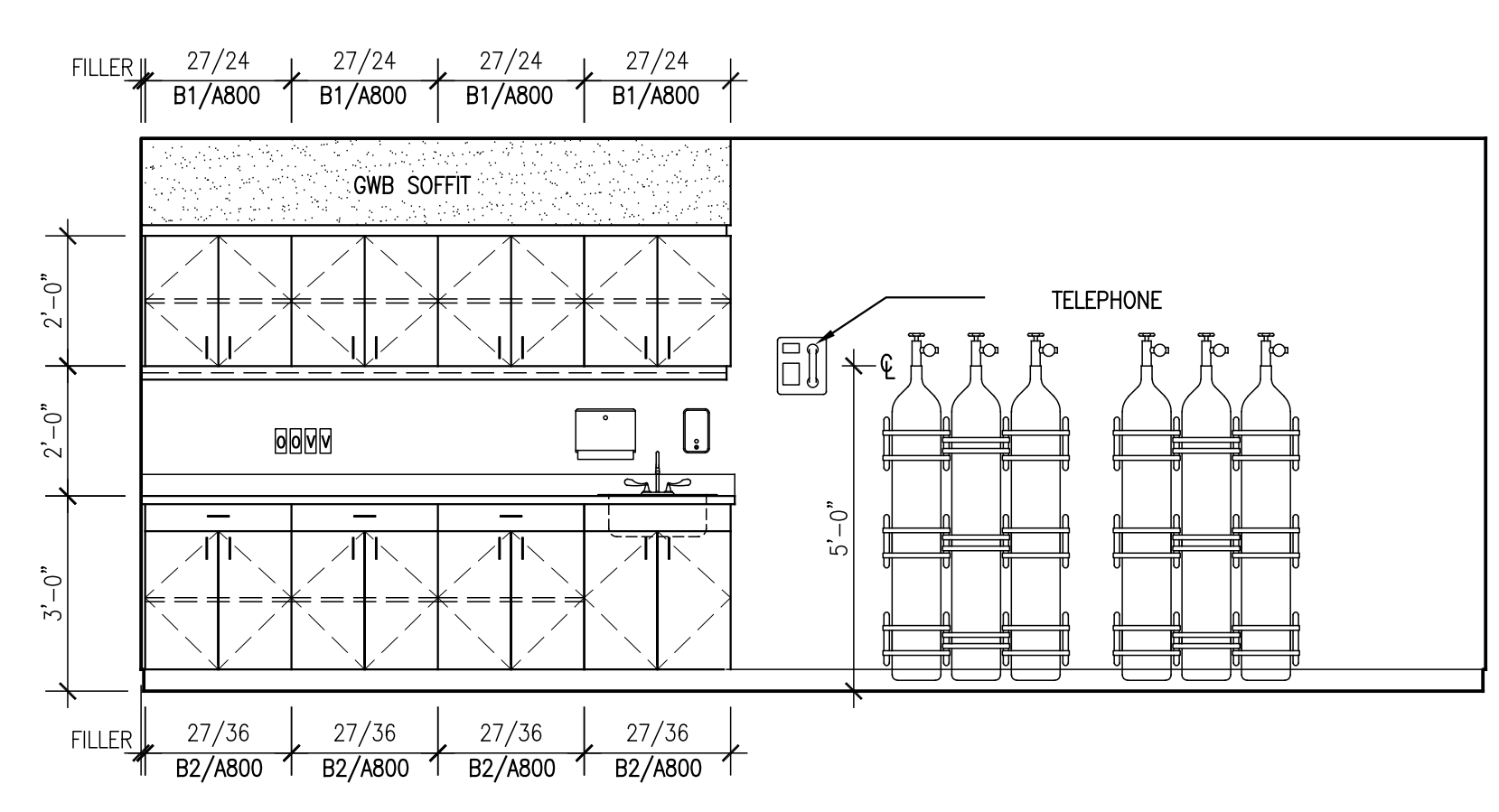
17 UNIT SEC'Y #3018A-CC  
SCALE: 3/8" = 1'-0"



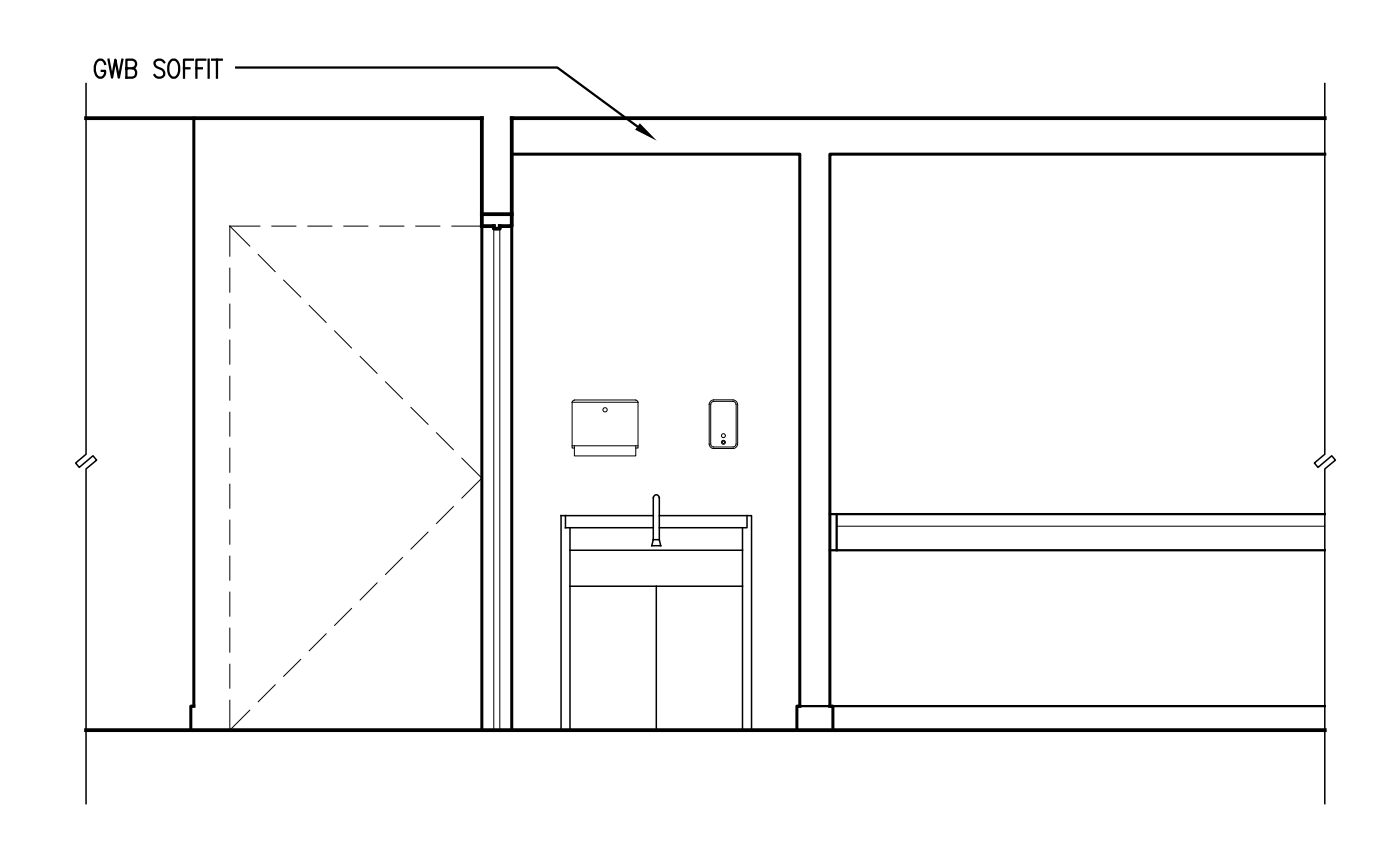
18 UNIT SEC'Y #3018A-CC  
SCALE: 3/8" = 1'-0"



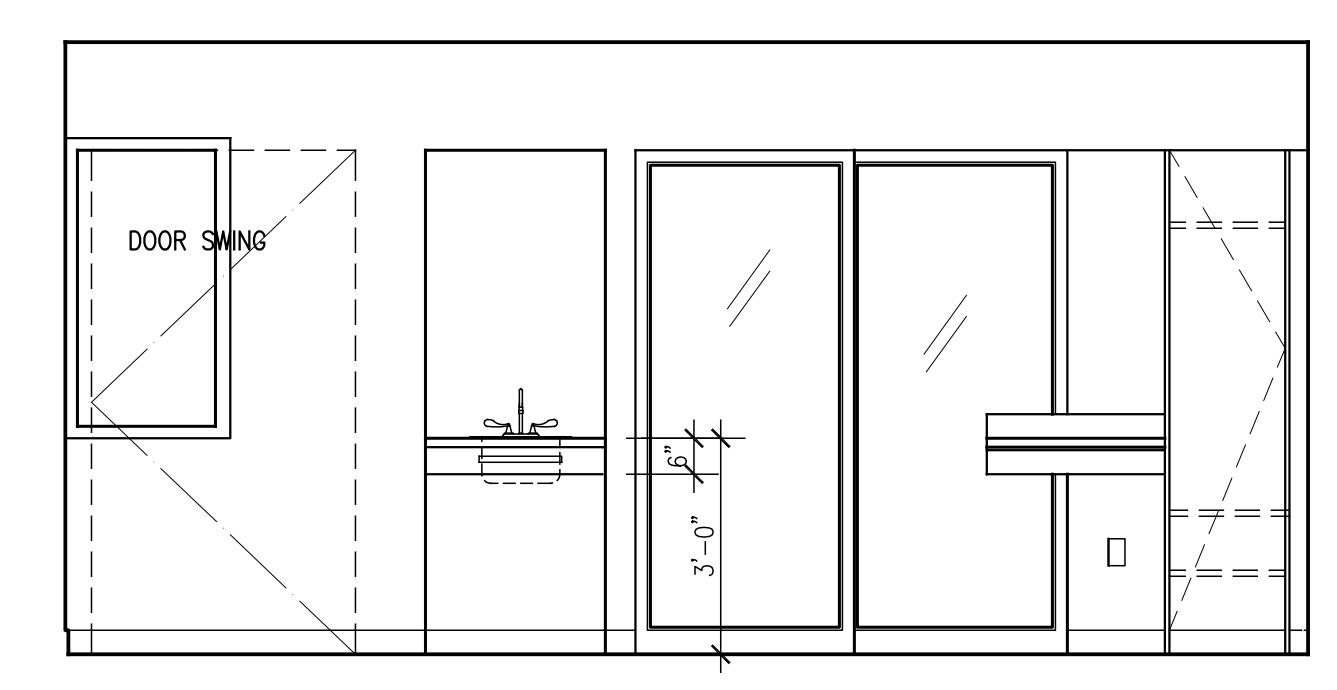
19 FORMULA BREAST MILK #3020-CC  
SCALE: 3/8" = 1'-0"



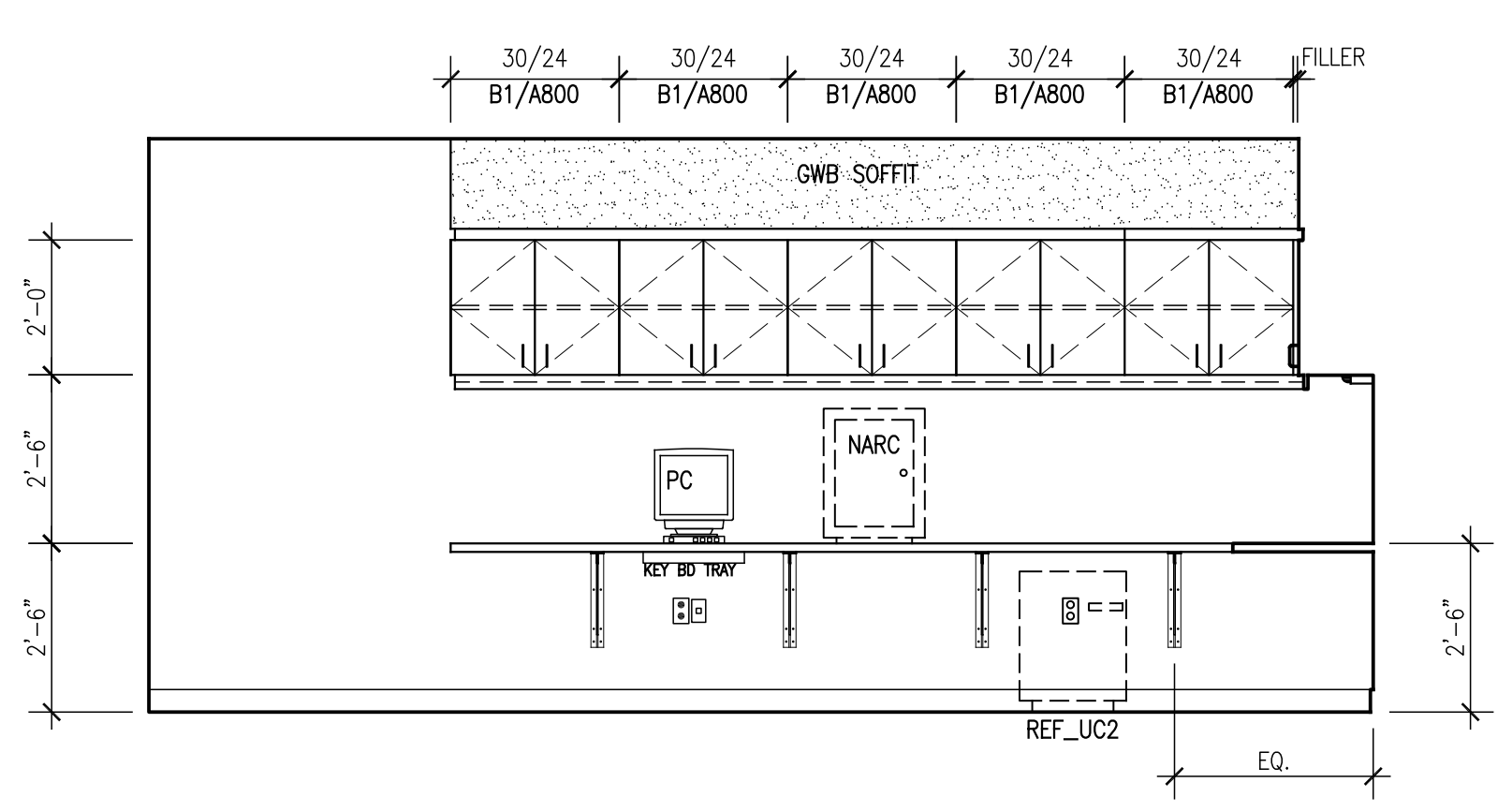
20 RESPIRATORY THERAPY #3030-RE  
SCALE: 3/8" = 1'-0"



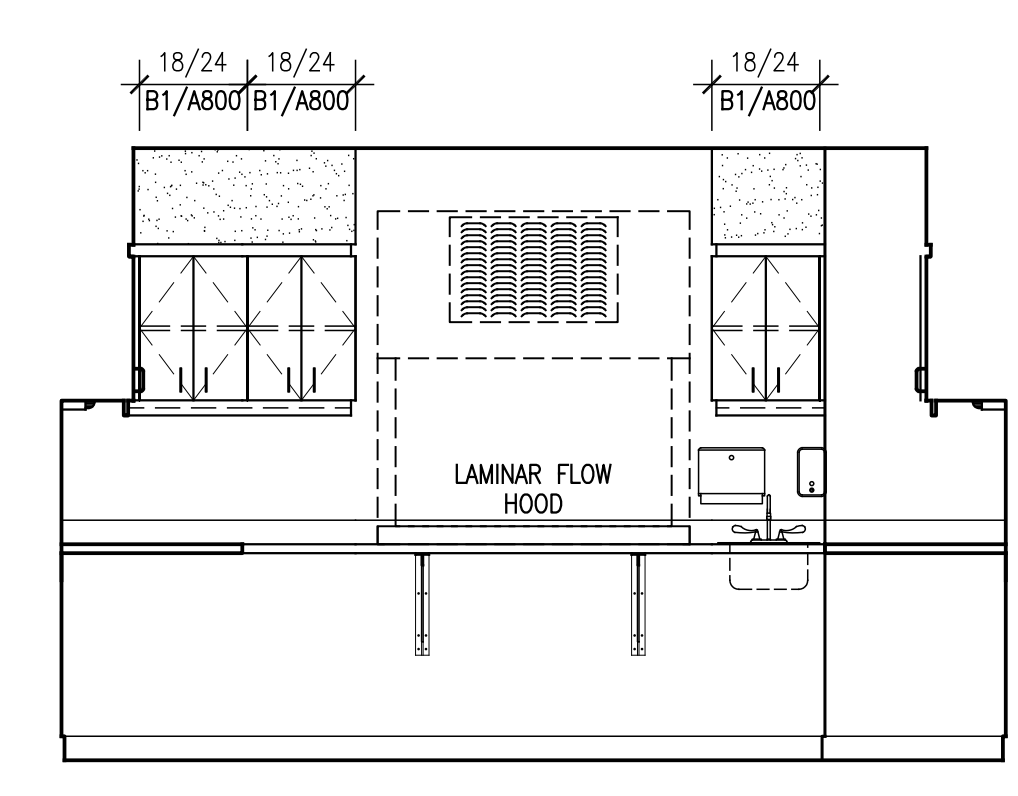
21 NICU CORRIDOR 3021-CC  
SCALE: 3/8" = 1'-0"



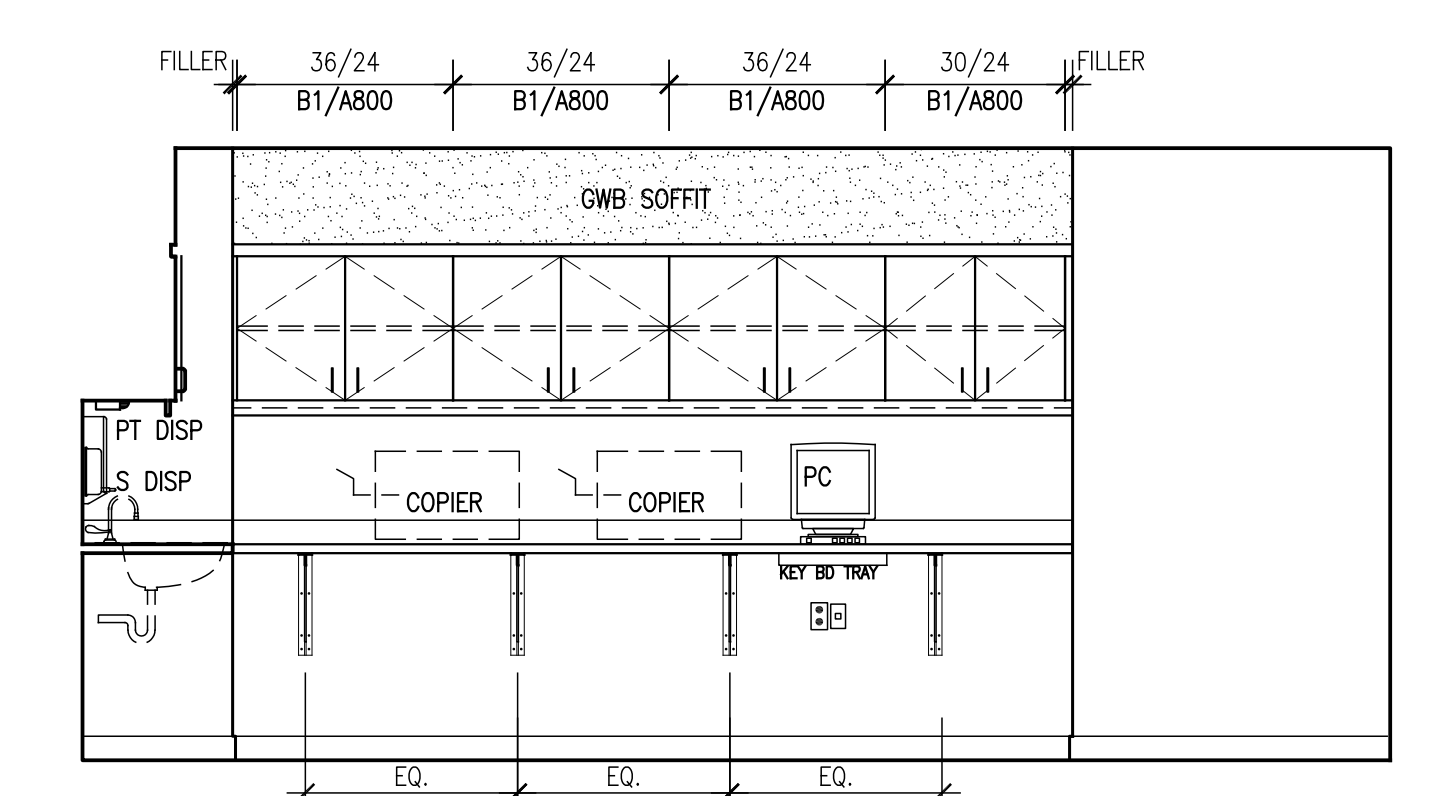
22 NICU TYP  
SCALE: 3/8" = 1'-0"



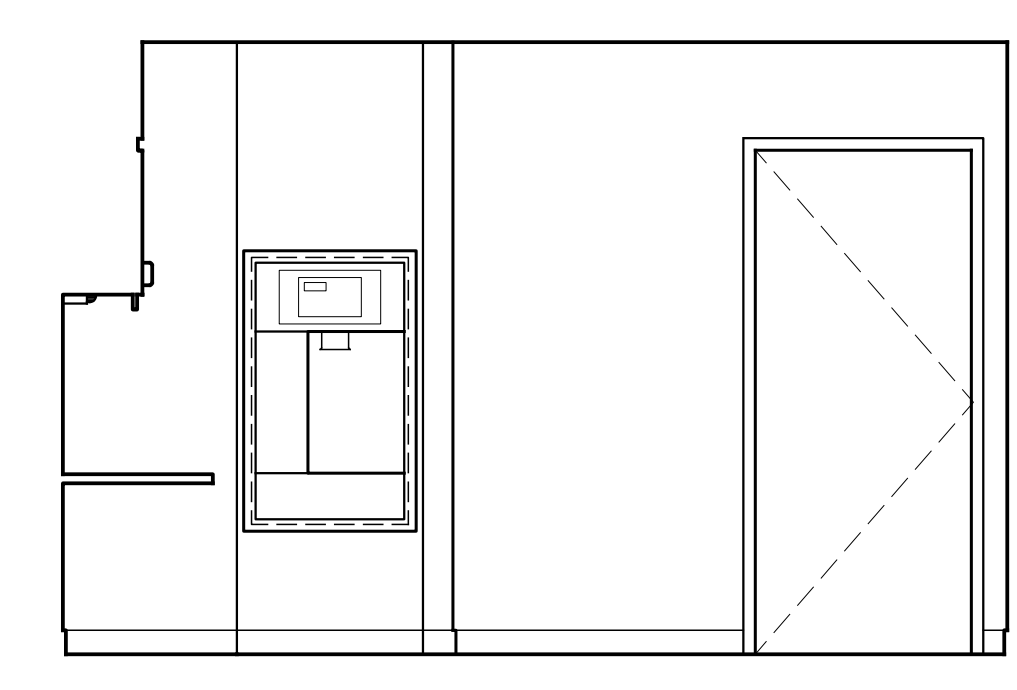
23 PHARM SAT #3008-PH  
SCALE: 3/8" = 1'-0"



24 PHARM SAT #3008-PH  
SCALE: 3/8" = 1'-0"

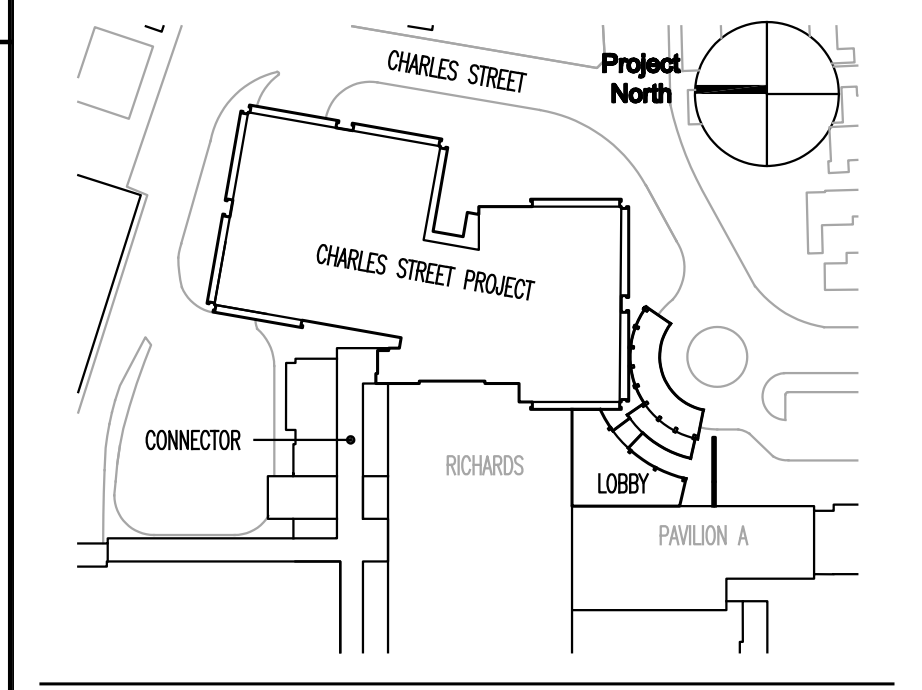


25 PHARM SAT #3008-PH  
SCALE: 3/8" = 1'-0"



26 PHARM SAT #3008-PH  
SCALE: 3/8" = 1'-0"

FOR PERMIT ONLY  
NOT FOR CONSTRUCTION



TRO ARCHITECTURE PLANNING ENGINEERING INTERIOR DESIGN

Maine Medical Center Charles Street Project Portland, Maine MMC Project No. 21841