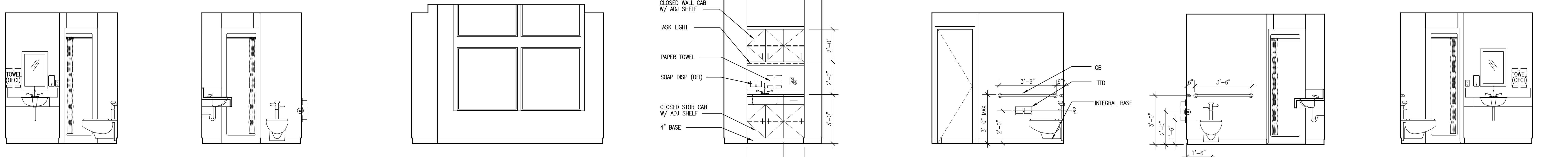
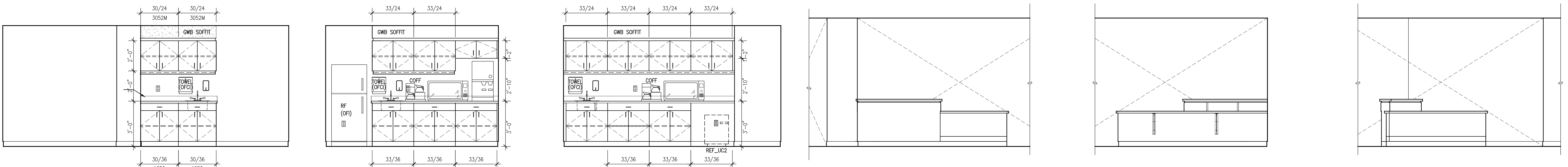


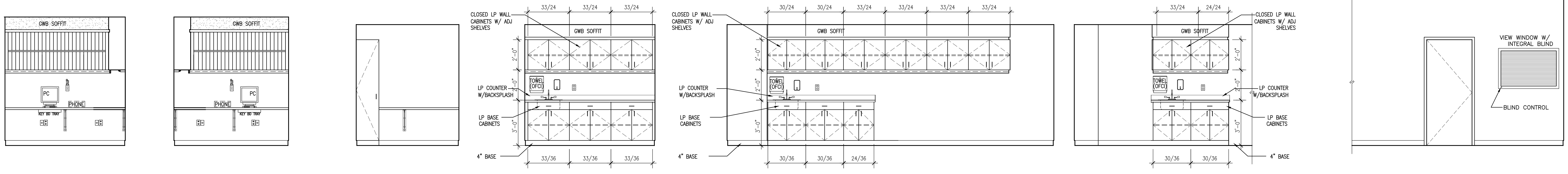
1 TYP ON CALL/ OFFICE ENTRANCE DOOR SCALE: 3/8" = 1'-0"  
 2 TRIAGE - HEAD WALL SCALE: 3/8" = 1'-0"  
 3 TRIAGE - ENTRY WALL SCALE: 3/8" = 1'-0"  
 4 TRIAGE - INFANT WALL SCALE: 3/8" = 1'-0"  
 5 PAT I/SH SCALE: 3/8" = 1'-0"



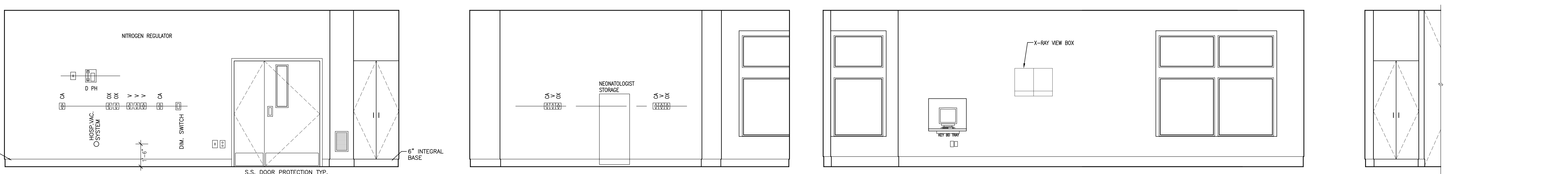
6 PAT I/SH SCALE: 3/8" = 1'-0"  
 7 PAT I/SH SCALE: 3/8" = 1'-0"  
 8 TRIAGE - WINDOW WALL SCALE: 3/8" = 1'-0"  
 9 ANTE ROOM 2714-WS SCALE: 3/8" = 1'-0"  
 10 I/SH H/C SCALE: 3/8" = 1'-0"  
 11 I/SH H/C SCALE: 3/8" = 1'-0"  
 12 I/SH H/C SCALE: 3/8" = 1'-0"



13 CLN UTIL\_ 2072-WS SCALE: 3/8" = 1'-0"  
 14 NOUR 2071-WS SCALE: 3/8" = 1'-0"  
 15 MEDS\_ 2070-WS SCALE: 3/8" = 1'-0"  
 16 CORRIDOR\_ 2063-WS SCALE: 3/8" = 1'-0"  
 17 STAFF STA\_ 2066-WS SCALE: 3/8" = 1'-0"  
 18 CORRIDOR\_ 2065-WS SCALE: 3/8" = 1'-0"

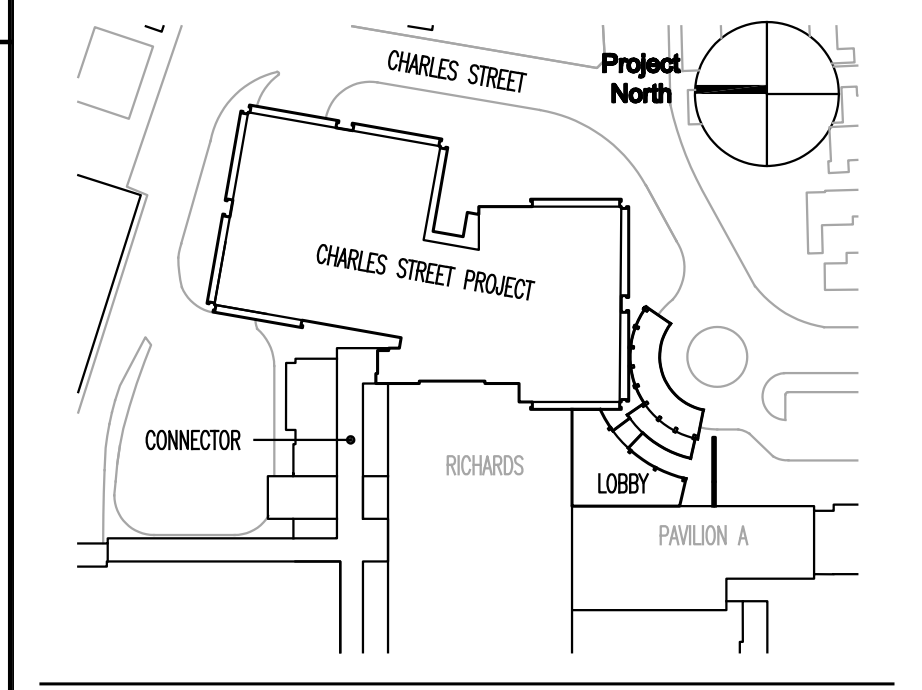


19 CONSULT\_ 2066A-WS SCALE: 3/8" = 1'-0"  
 20 CONSULT\_ 2066A-WS SCALE: 3/8" = 1'-0"  
 21 CHG #2052-PO SCALE: 3/8" = 1'-0"  
 22 L.U.F.D. #2043-WS SCALE: 3/8" = 1'-0"  
 23 ANEST WKRM #2042-PO SCALE: 3/8" = 1'-0"  
 24 CLN CASE CART/LN #2064-PO SCALE: 3/8" = 1'-0"  
 25 C-SECTION #2055-PO SCALE: 3/8" = 1'-0"



26 C-SECTION #2055-PO SCALE: 3/8" = 1'-0"  
 27 C-SECTION #2055-PO SCALE: 3/8" = 1'-0"  
 28 C-SECTION #2055-PO SCALE: 3/8" = 1'-0"  
 29 C-SECTION #2055-PO SCALE: 3/8" = 1'-0"

FOR PERMIT ONLY  
 NOT FOR CONSTRUCTION



**TRO**  
 ARCHITECTURE  
 PLANNING  
 ENGINEERING  
 INTERIOR DESIGN

The Ritchie Organization  
 80 Bridge Street  
 Newton, MA 02459-1194  
 617-552-9100

**Maine Medical Center**  
 Charles Street Project  
 Portland, Maine MMC Project No. 21841

Drawing Title  
**SECOND FLOOR  
 INTERIOR ELEVATIONS  
 SHEET 3**

Commission No.	4673	Date Issued	
Scale	AS NOTED	Sheet Number	
Drawn By	JJV		
Approved By	TML		
Filename	4673A702.3.dwg		
Copyright	© 2014		

**A702.3**