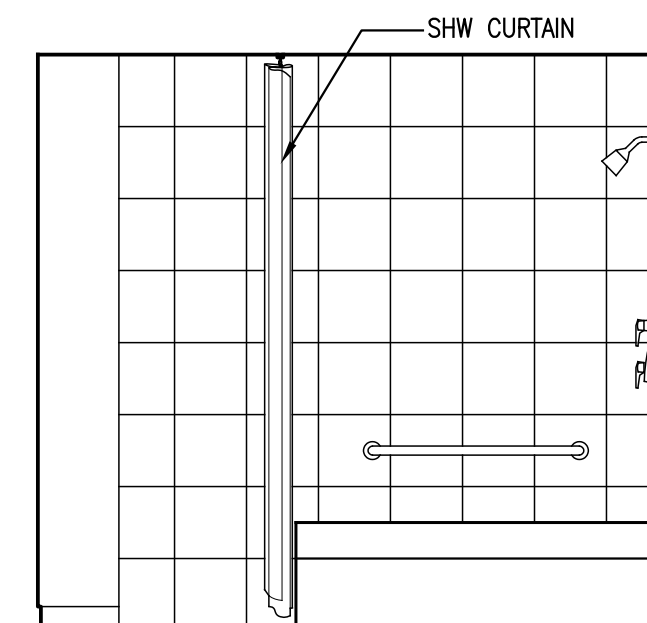
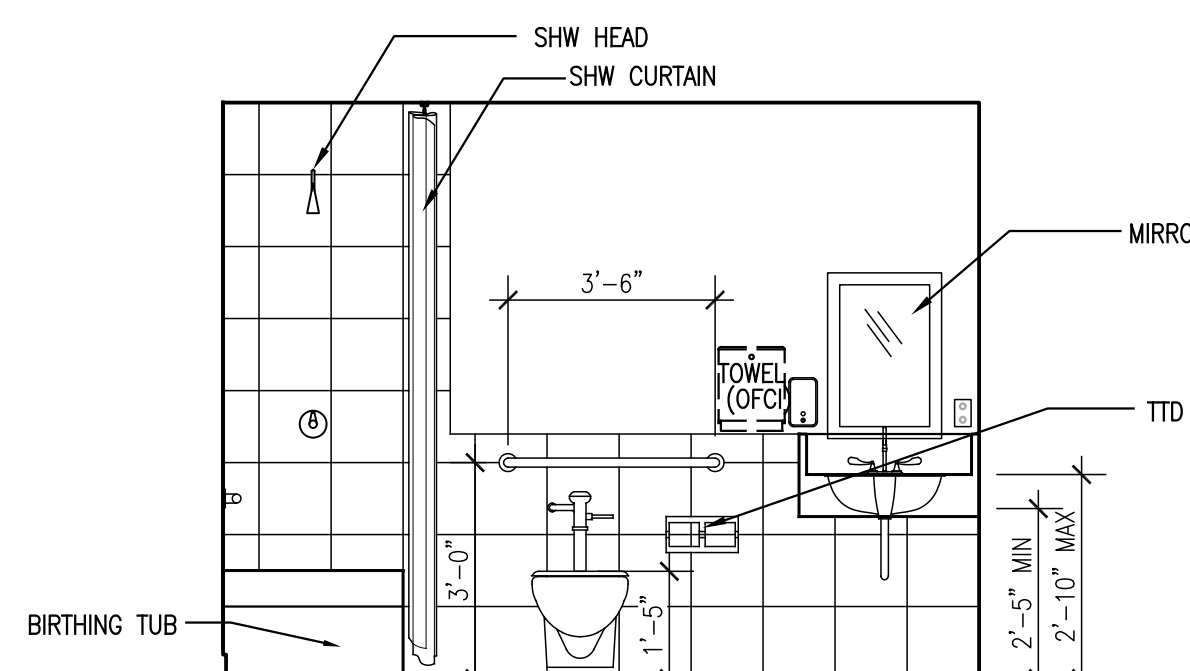


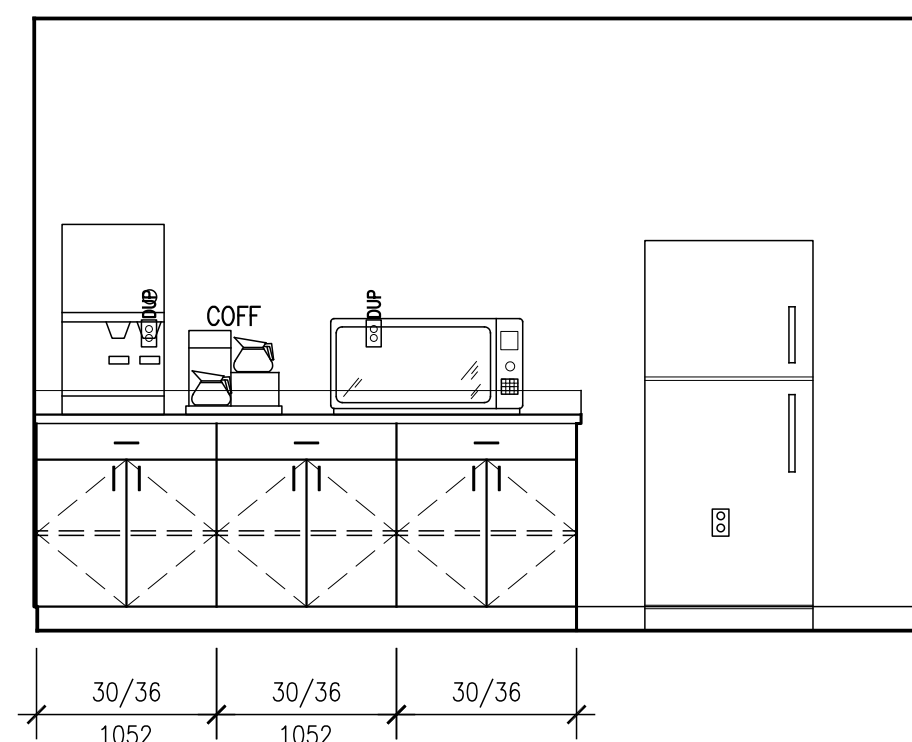
1 ANTE #2701B-WS
SCALE: 3/8" = 1'-0"



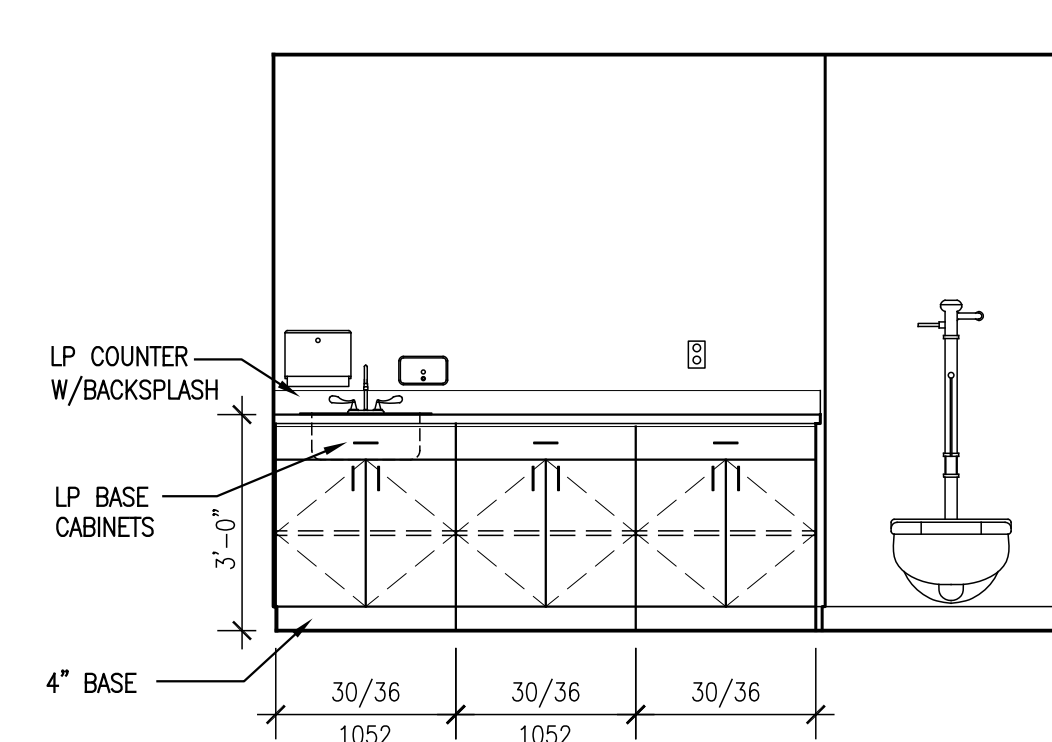
2 T PAT #2701A-WS
SCALE: 3/8" = 1'-0"



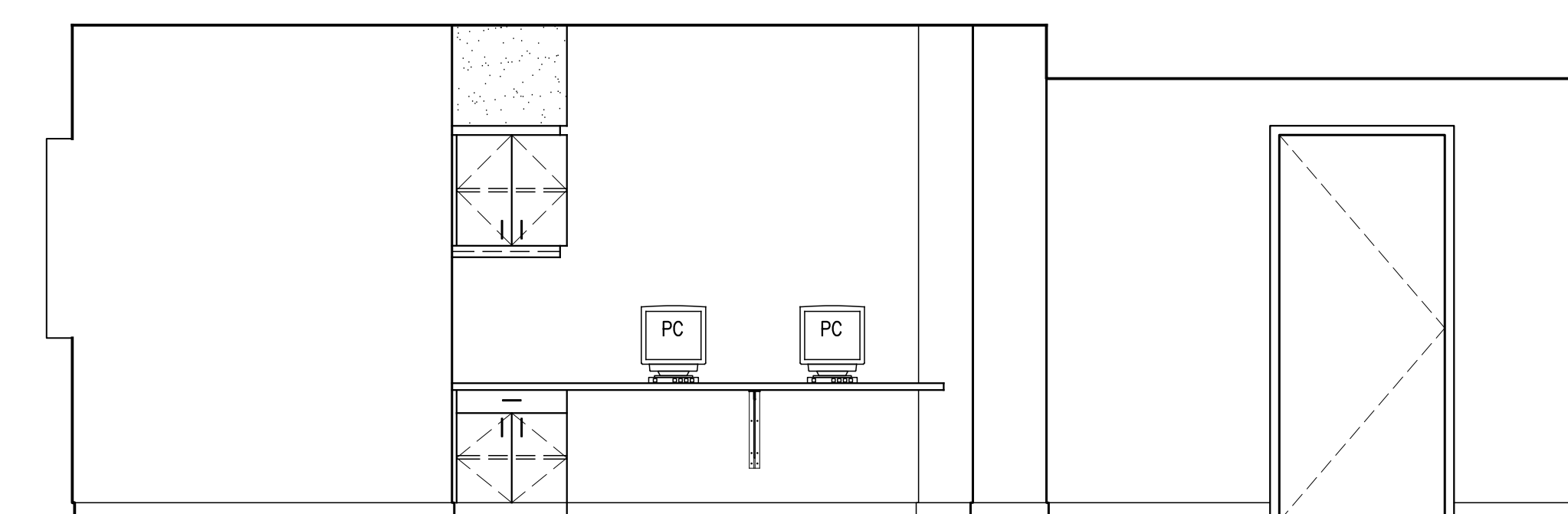
3 T PAT #2701A-WS
SCALE: 3/8" = 1'-0"



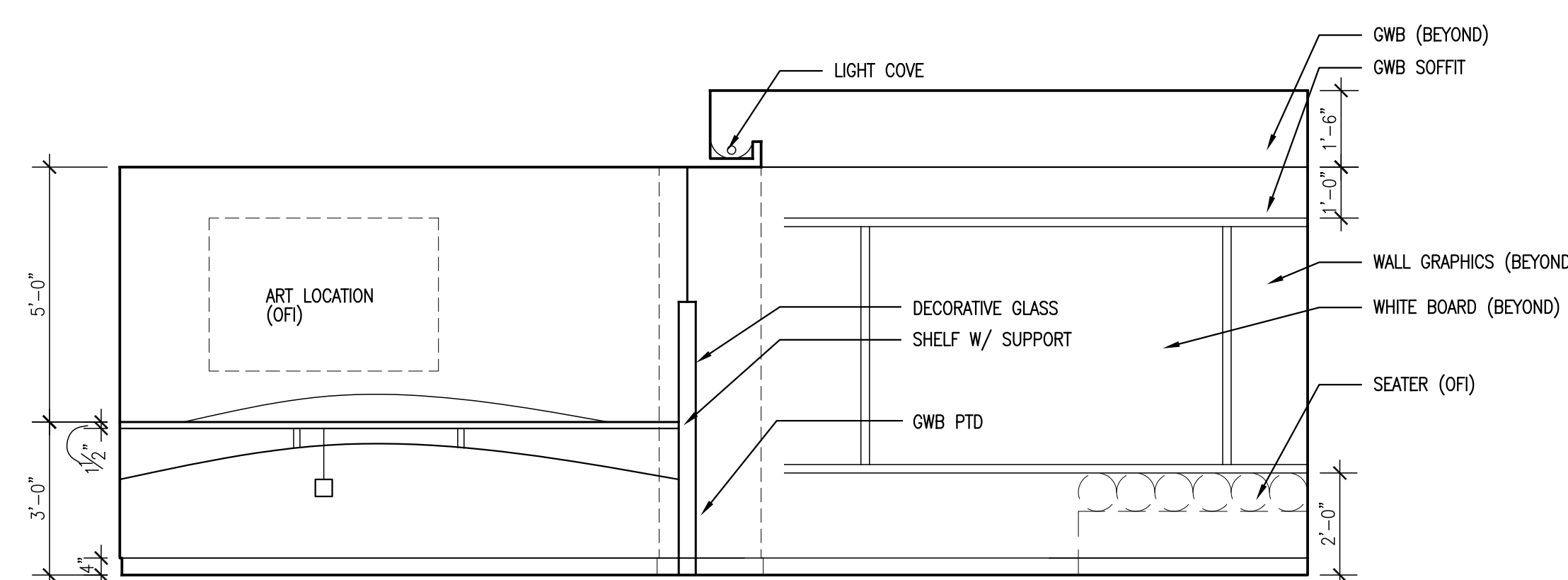
4 NOUR #2025-WS
SCALE: 3/8" = 1'-0"



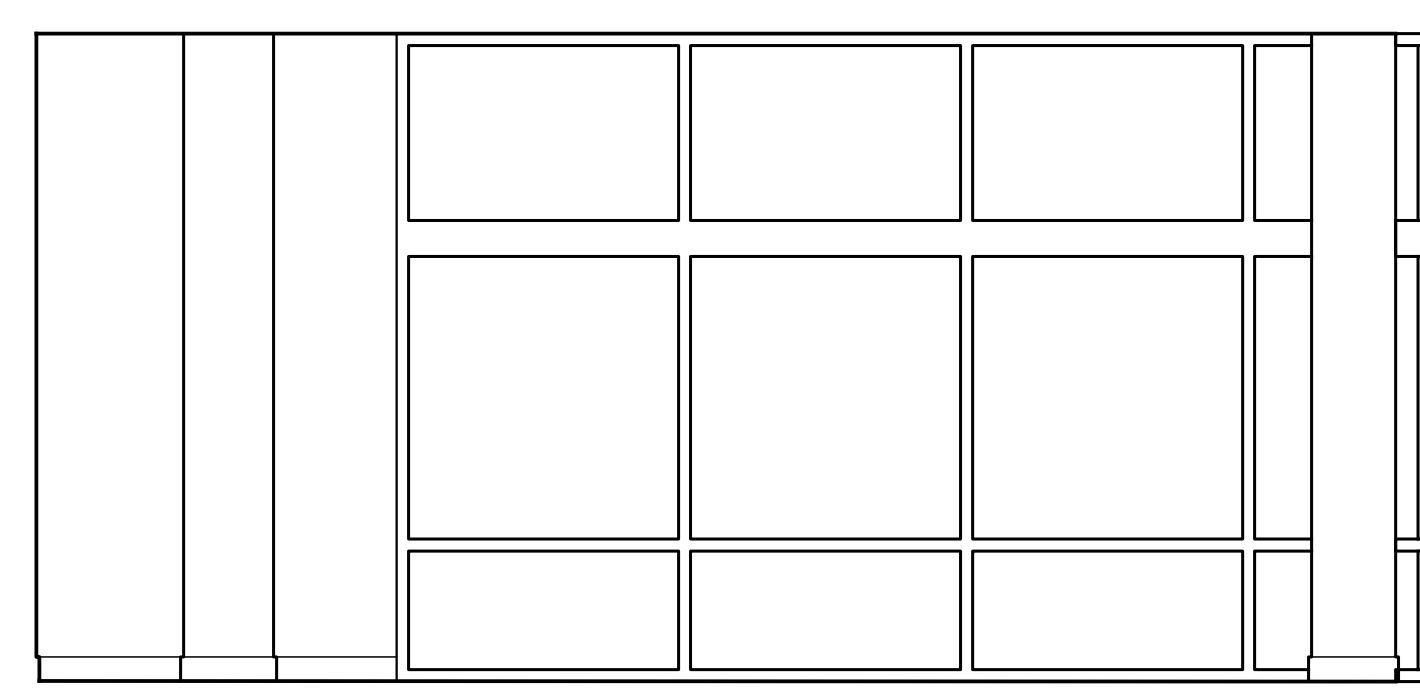
5 SOIL UTIL #2029-WS
SCALE: 3/8" = 1'-0"



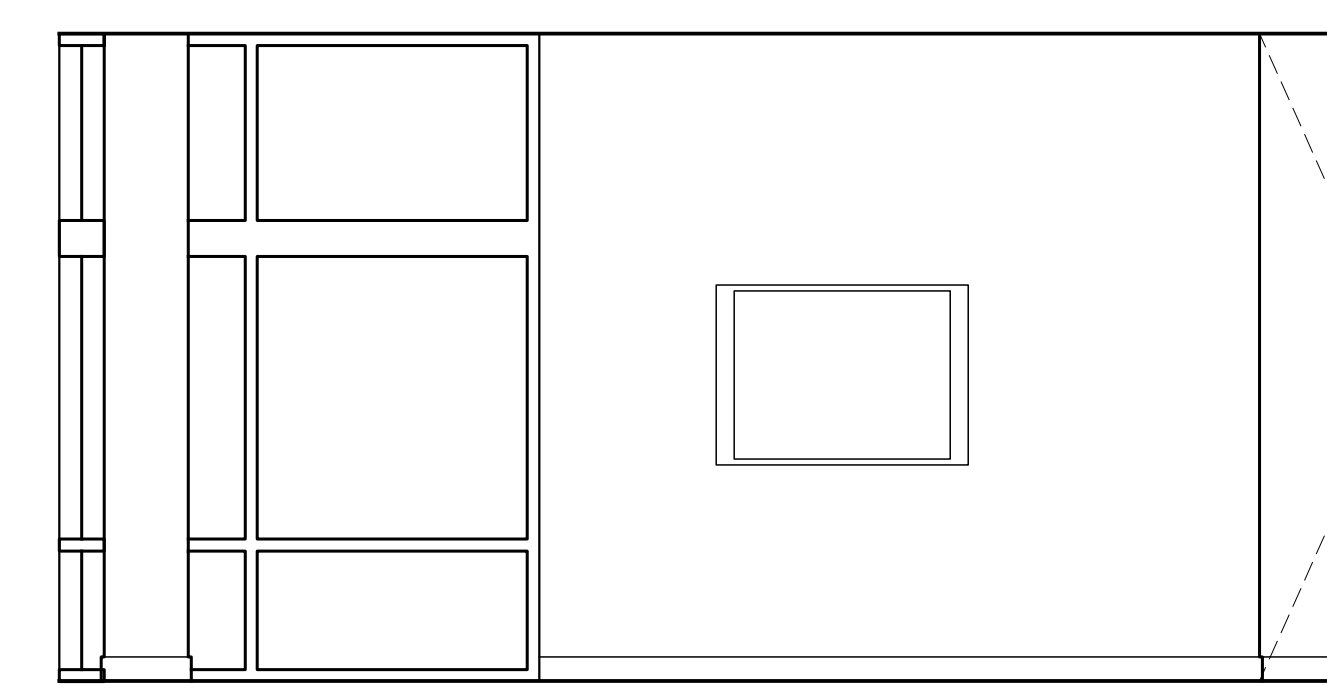
6 FAM WTG SUITE 2002-LO
SCALE: 3/8" = 1'-0"



7 FAM WTG SUITE 2002-LO
SCALE: 3/8" = 1'-0"



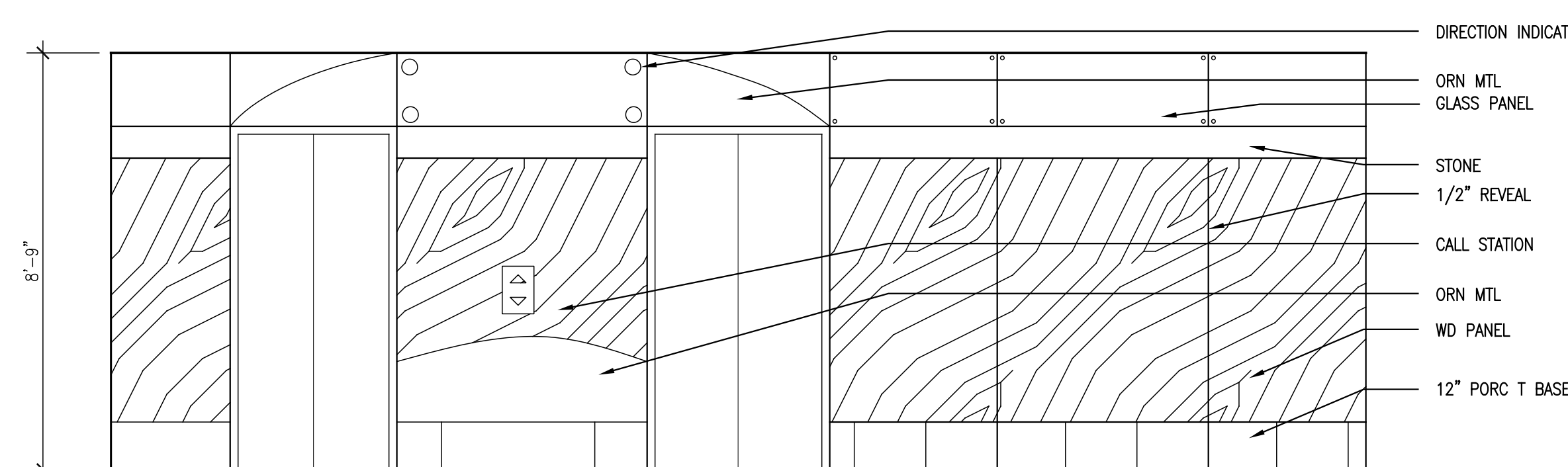
8 FAM WTG SUITE 2002-LO
SCALE: 3/8" = 1'-0"



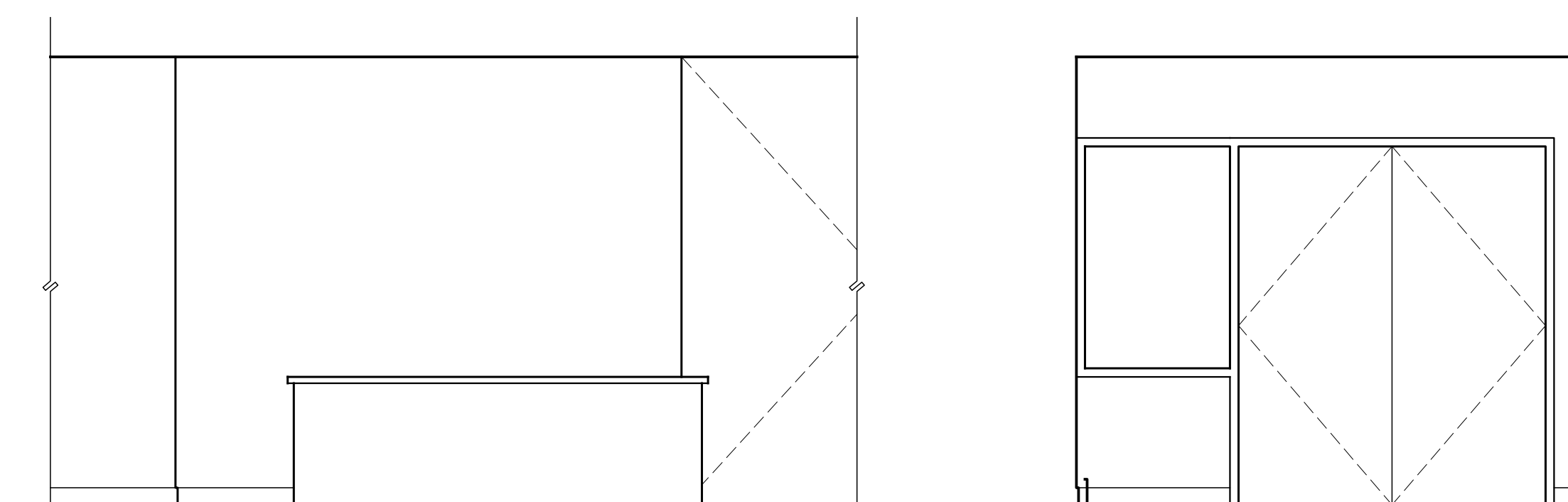
9 FAM WTG SUITE 2002-LO
SCALE: 3/8" = 1'-0"



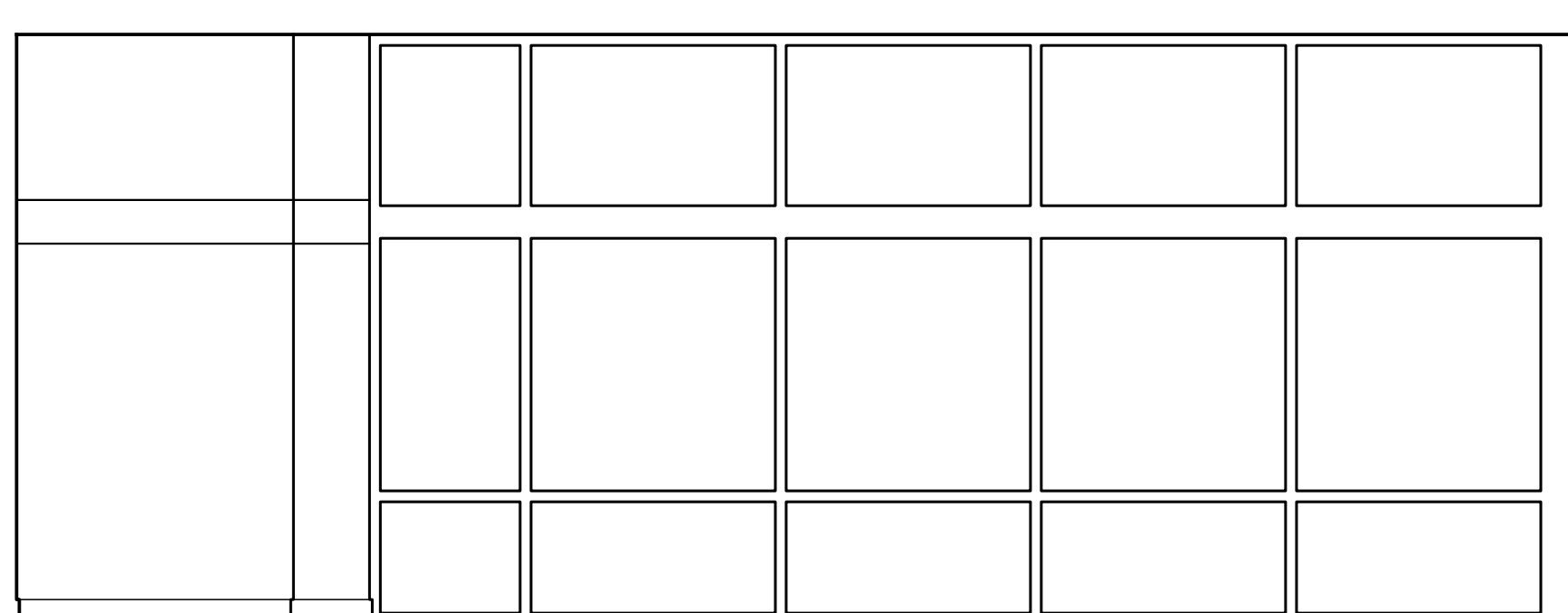
10 ELEV LOBBY 2001-LO
SCALE: 3/8" = 1'-0"



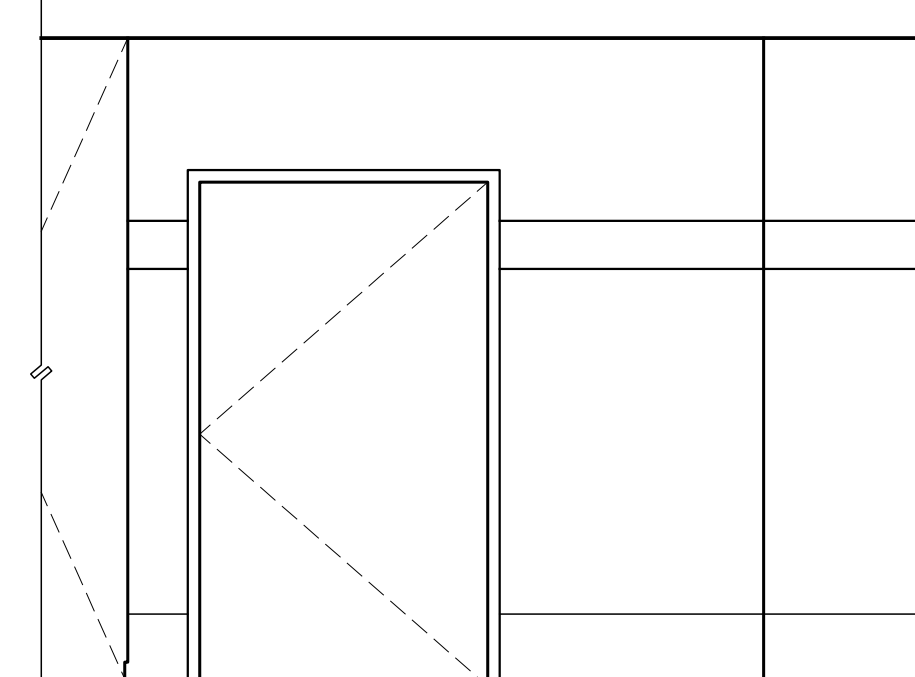
11 ELEV LOBBY 2001-LO
SCALE: 3/8" = 1'-0"



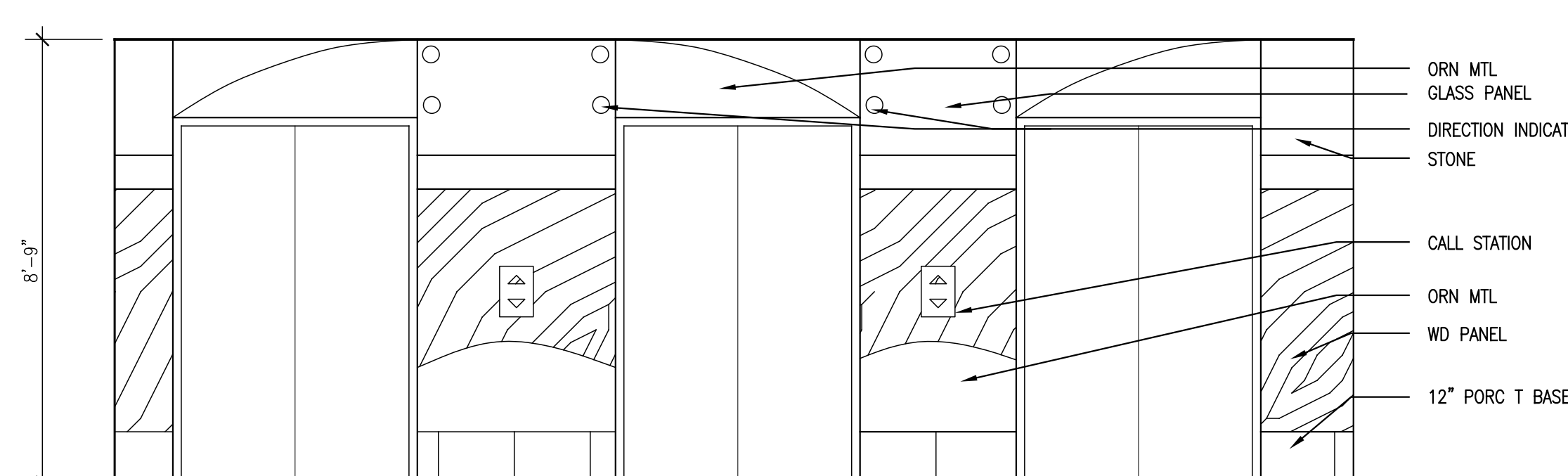
12 ELEV LOBBY 2001-LO
SCALE: 3/8" = 1'-0"



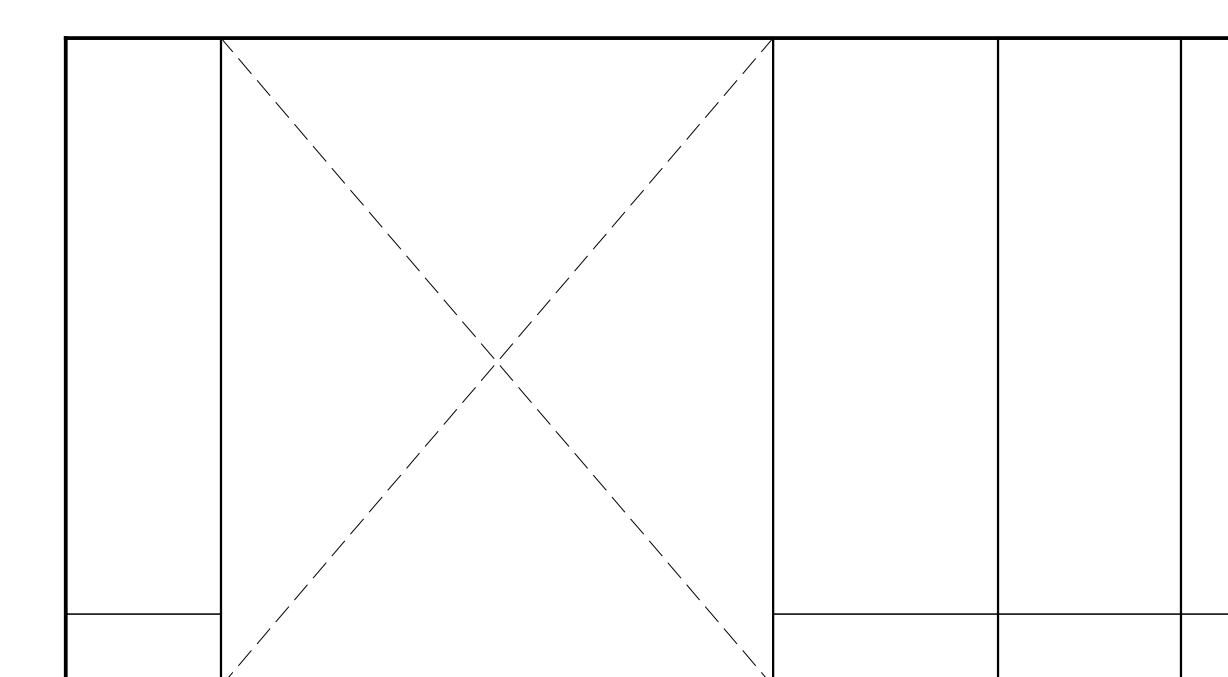
13 SERVICE ELEV LOBBY 2040-LO
SCALE: 3/8" = 1'-0"



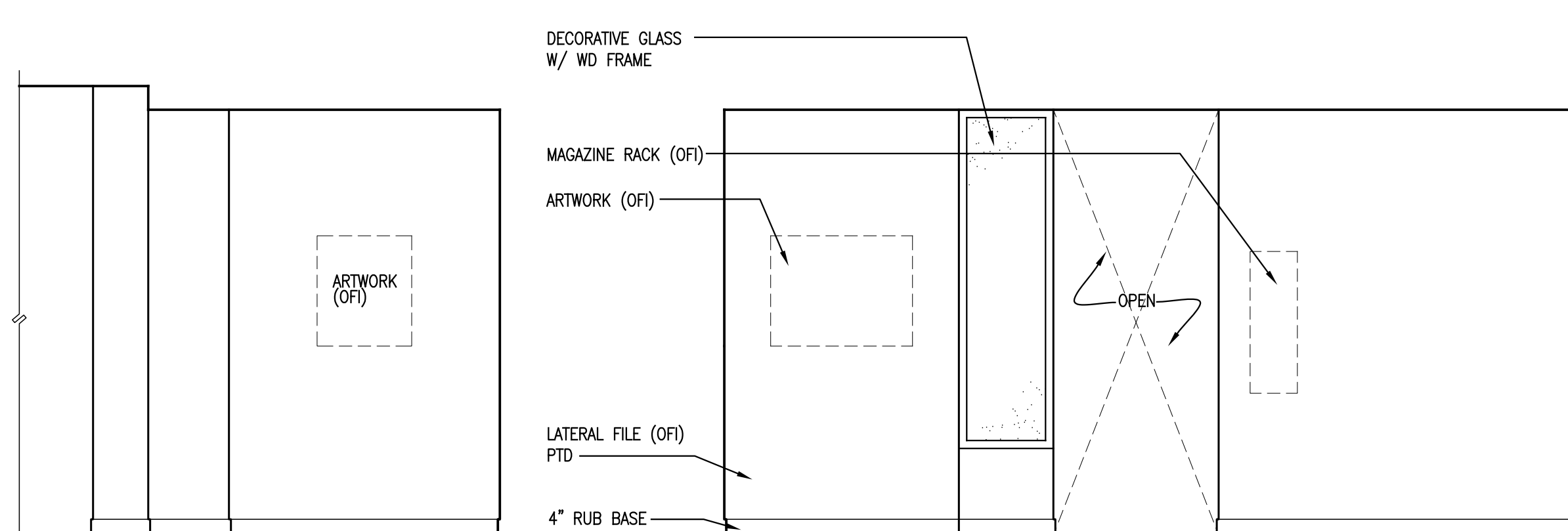
14 SERVICE ELEV LOBBY 2040-LO
SCALE: 3/8" = 1'-0"



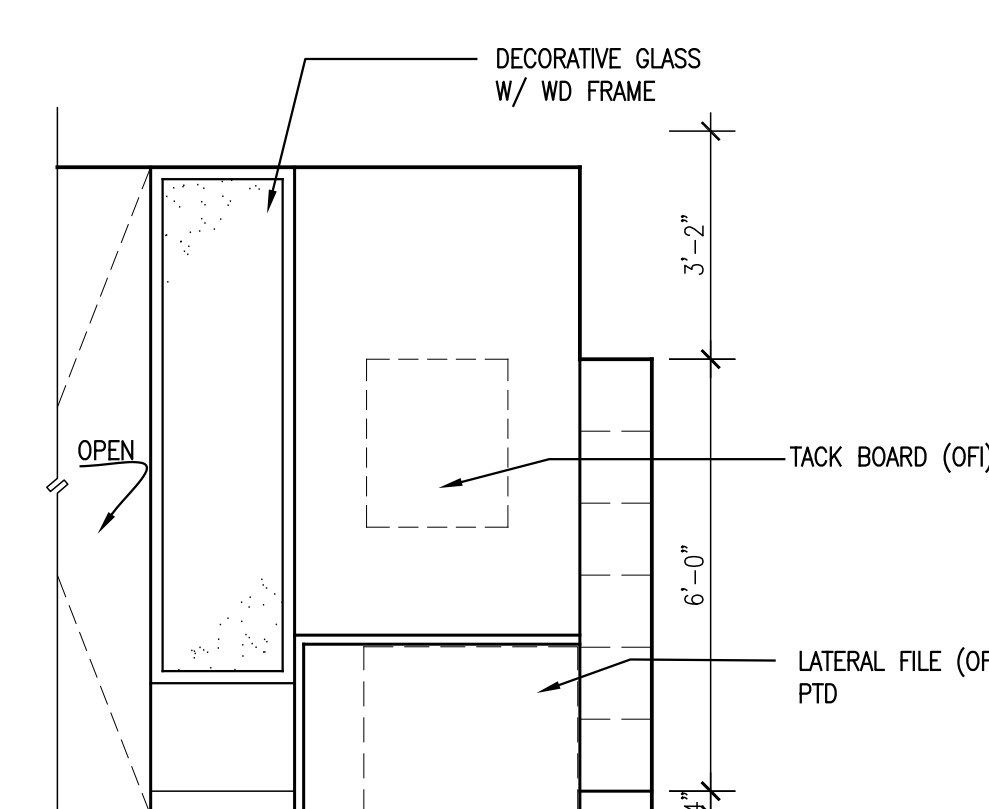
15 SERVICE ELEV LOBBY 2040-LO
SCALE: 3/8" = 1'-0"



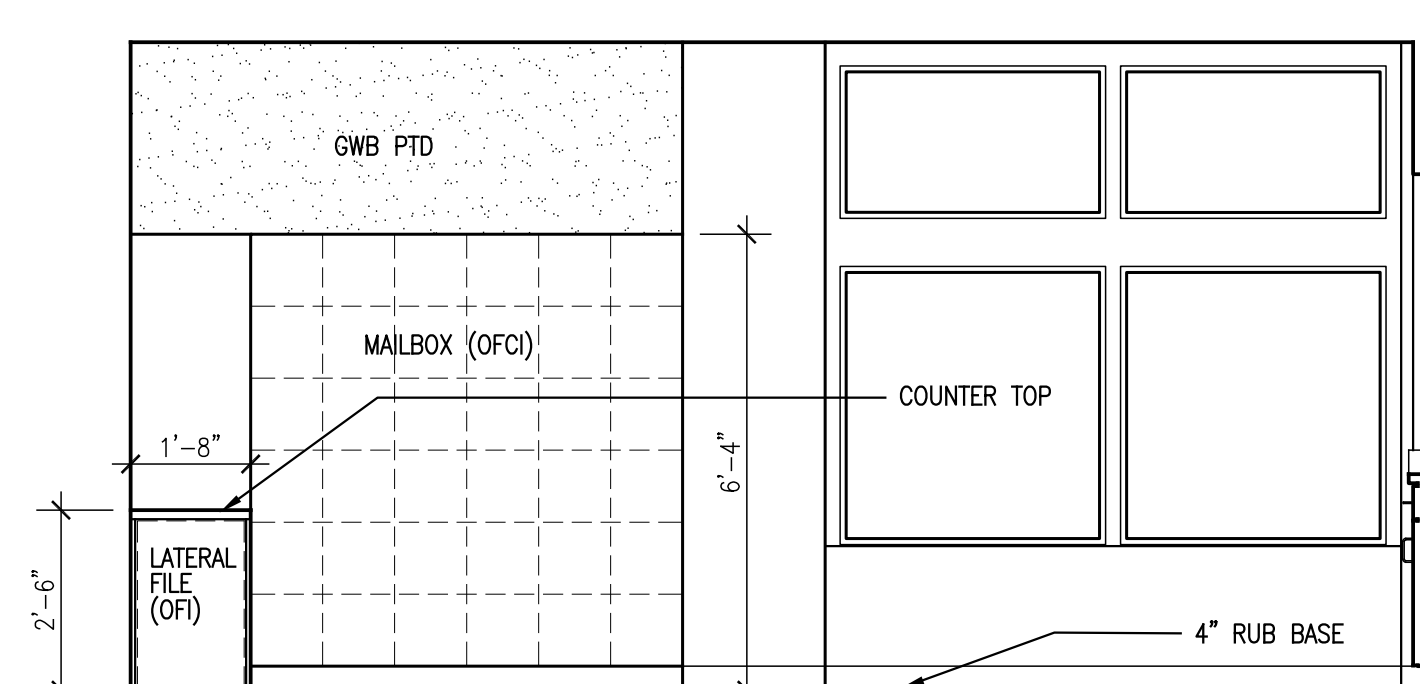
16 SERVICE ELEV LOBBY 2040-LO
SCALE: 3/8" = 1'-0"



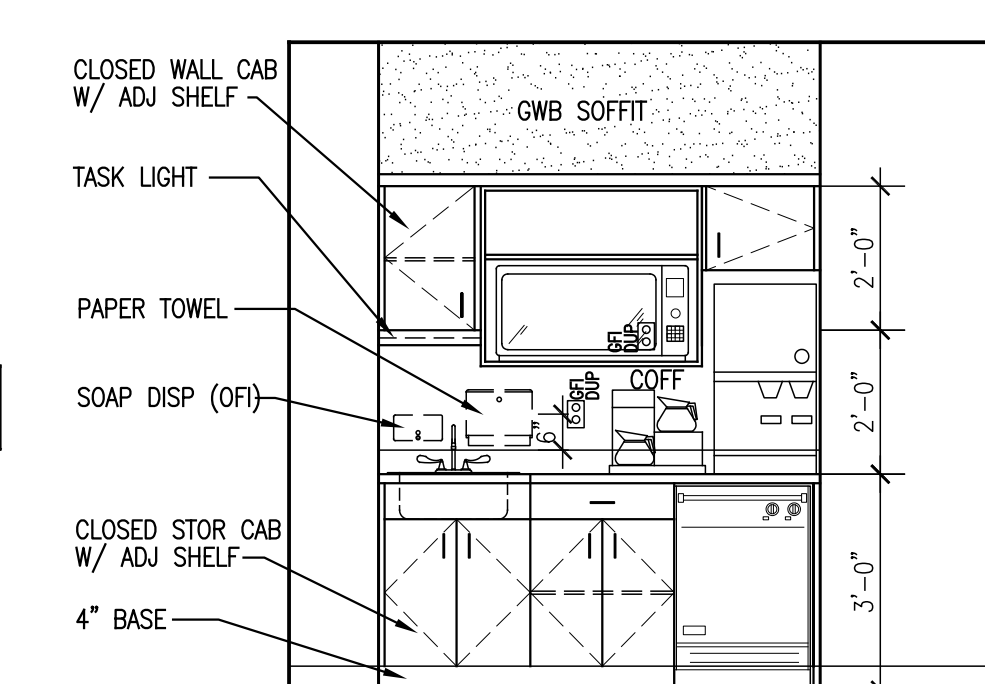
17 STAFF LOUNGE
SCALE: 3/8" = 1'-0"



18 STAFF LOUNGE
SCALE: 3/8" = 1'-0"

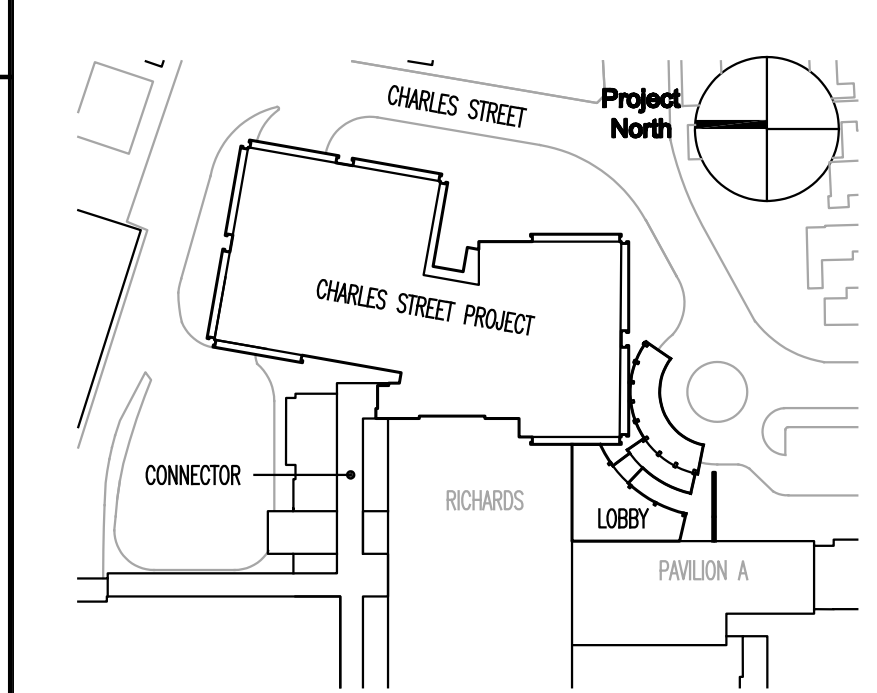


20 STAFF LOUNGE
SCALE: 3/8" = 1'-0"



21 STAFF LOUNGE
SCALE: 3/8" = 1'-0"

FOR PERMIT ONLY
NOT FOR CONSTRUCTION



TRO
ARCHITECTURE
PLANNING
ENGINEERING
INTERIOR DESIGN
The Ritchie Organization
80 Bridge Street
Newton, MA 02459-1196
617-552-6100

Maine Medical Center
Charles Street Project
Portland, Maine MMC Project No. 21841

Drawing Title
**SECOND FLOOR
INTERIOR ELEVATIONS
SHEET 2**

Commission No.	4673	Date Issued	
Scale	AS NOTED	Sheet Number	
Drawn By	JJV		
Approved By	TML		
Filename	4673A702.2.dwg		
Copyright	© 2004	The Ritchie Organization	

A702.2