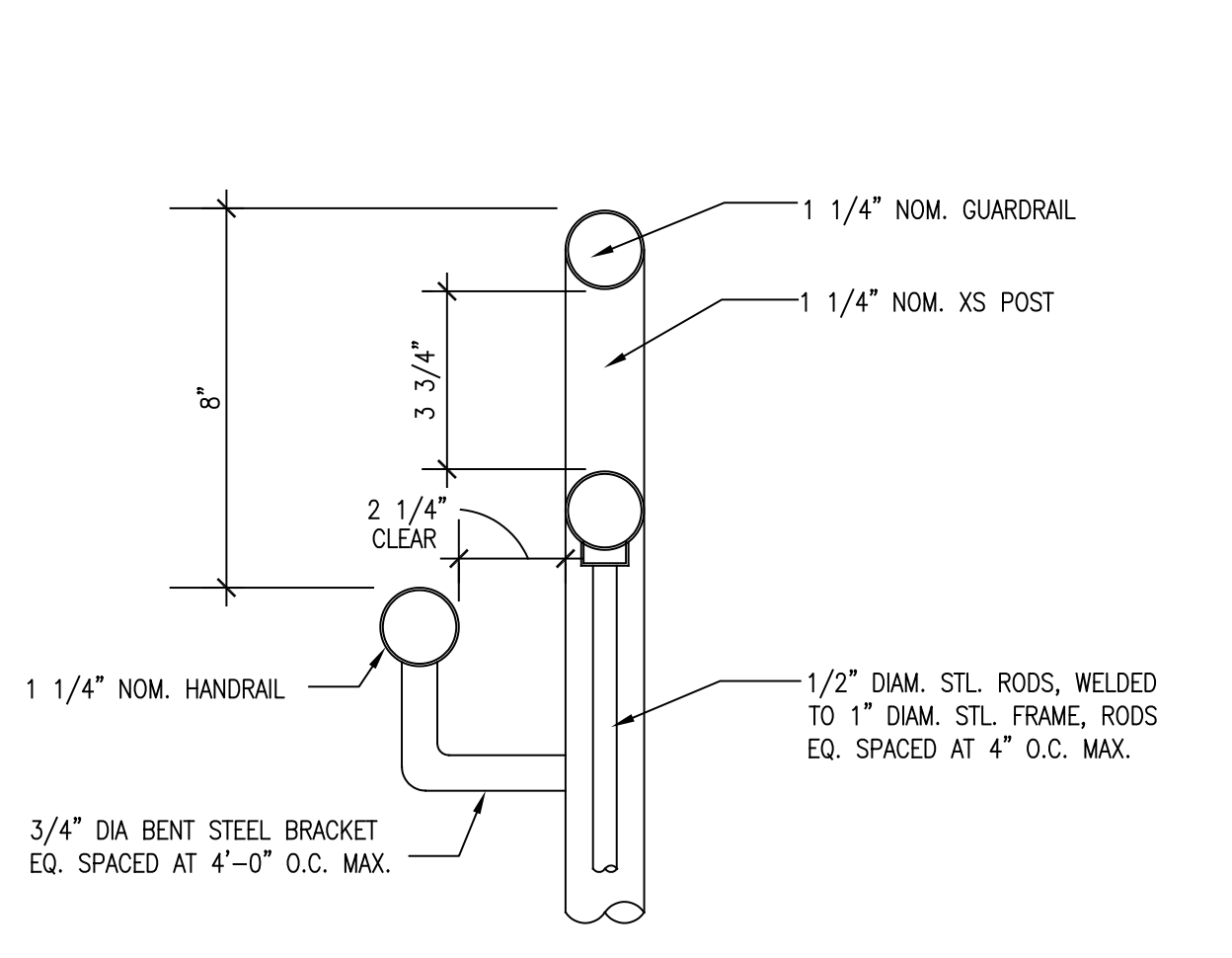
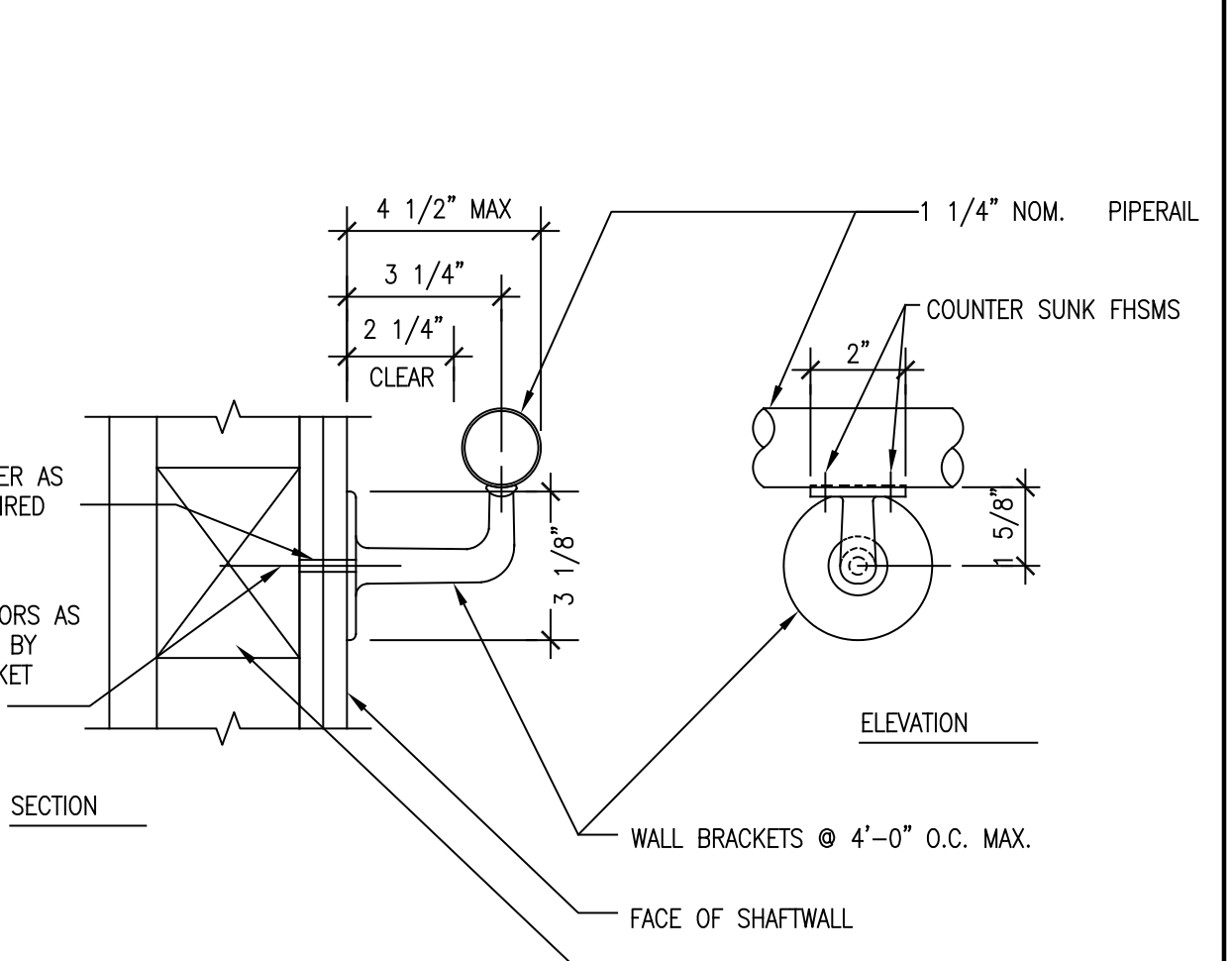


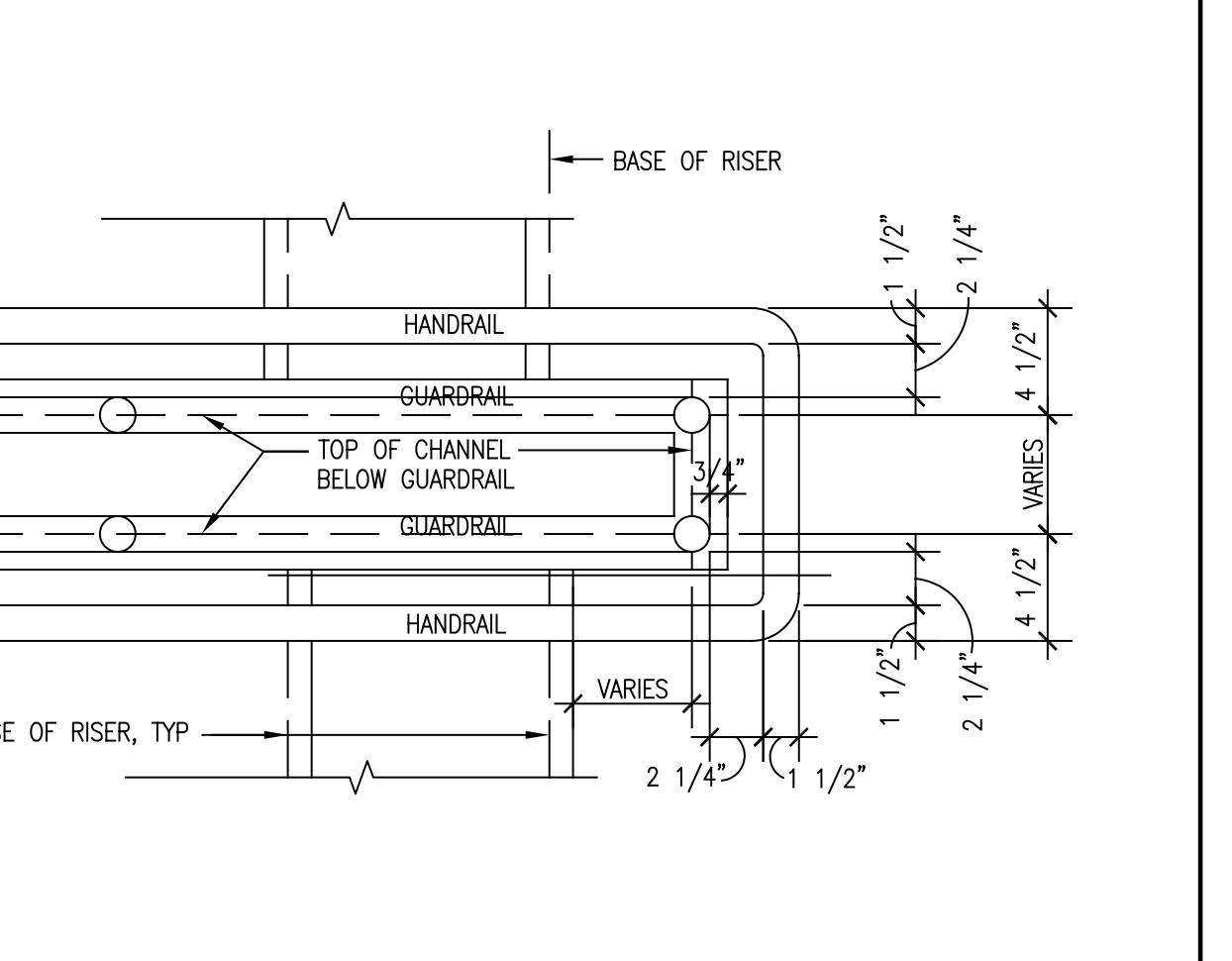
A1 PIPE RAIL DETAIL AT METAL CHANNEL SUPPORT
SCALE: FULL



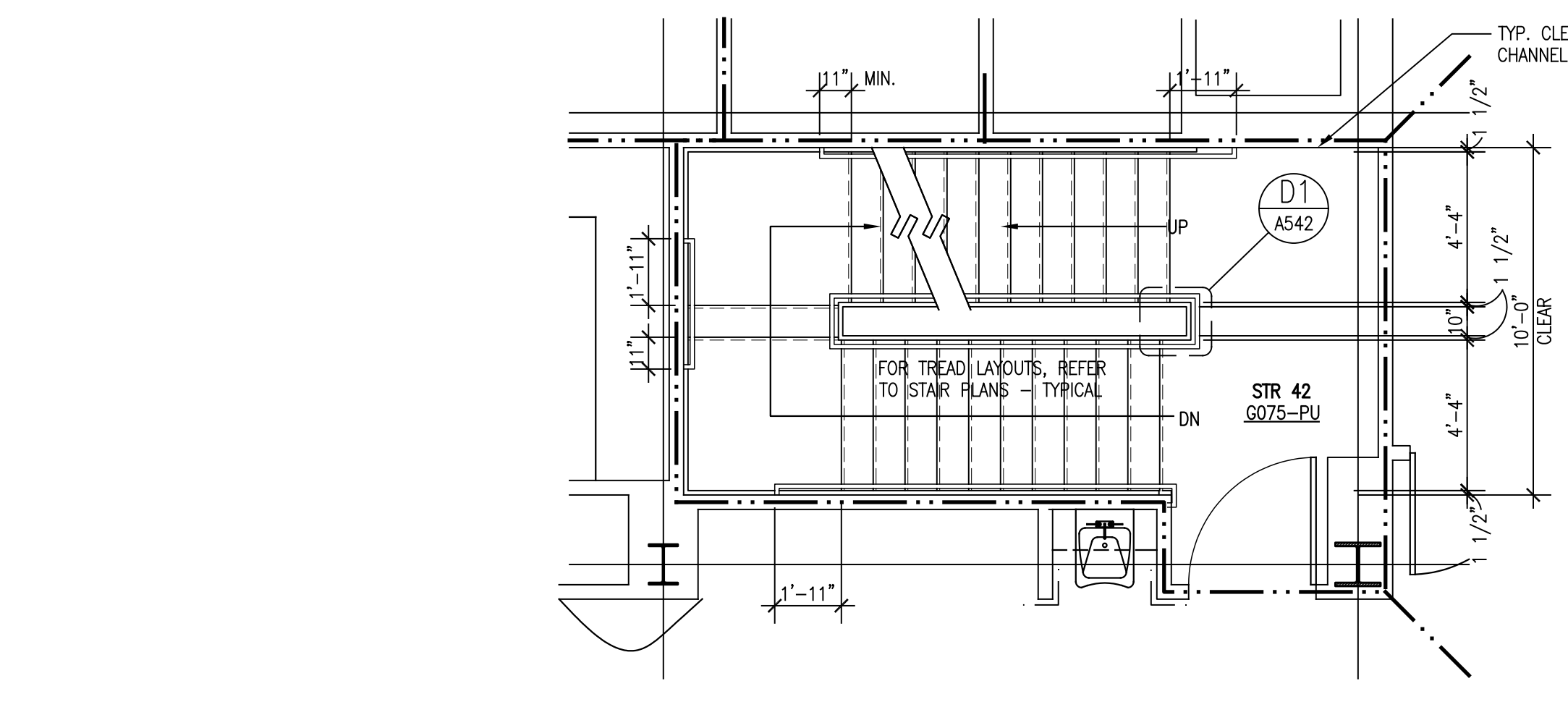
B1 DET. AT TOP OF HANDRAIL/GUARDRAIL
SCALE: 3" = 1'-0"



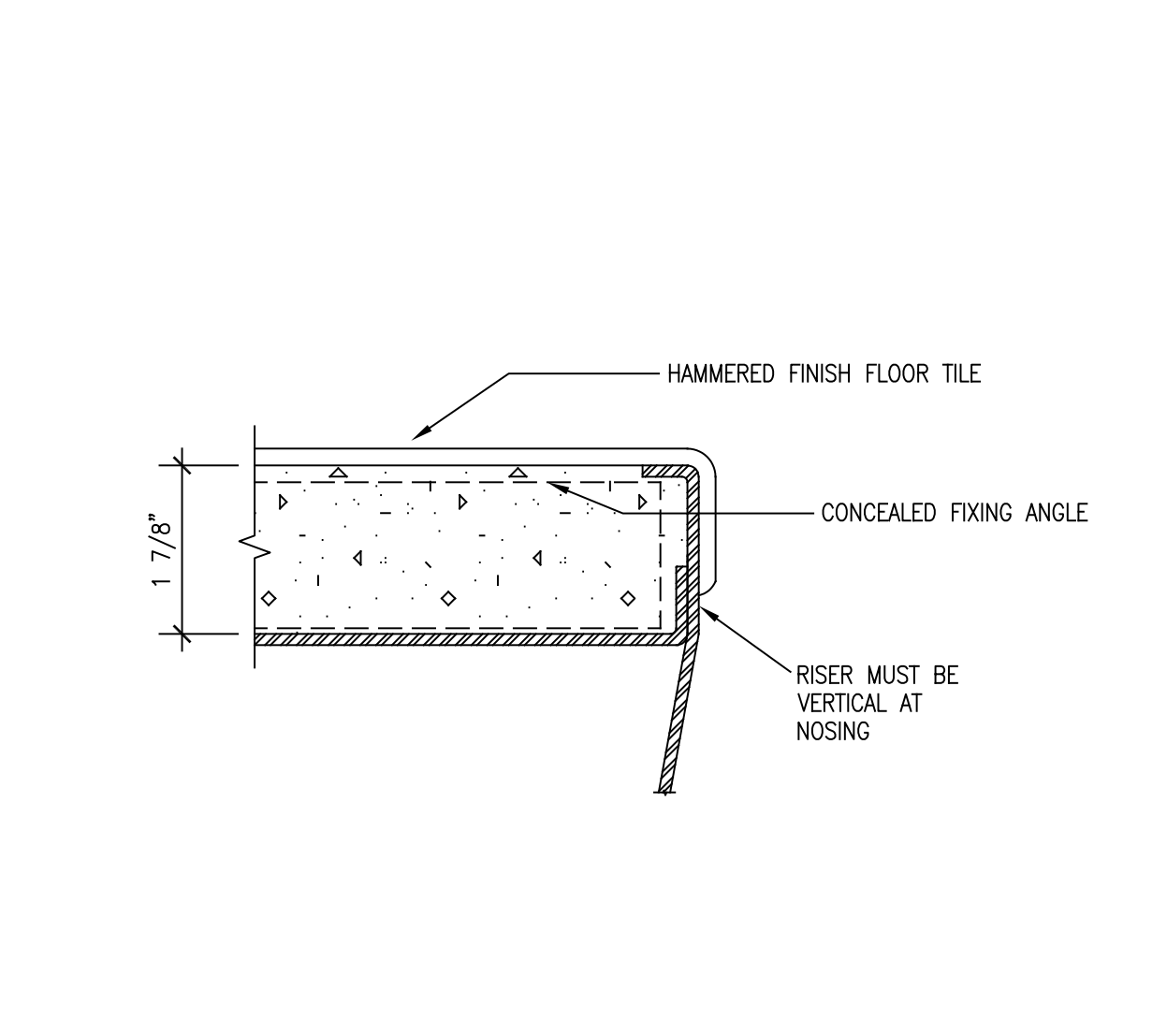
C1 HANDRAIL DETAIL AT WALL
SCALE: 3" = 1'-0"



D1 PLAN DET. AT HANDRAIL/GUARDRAIL RETURN
SCALE: 1 1/2" = 1'-0"



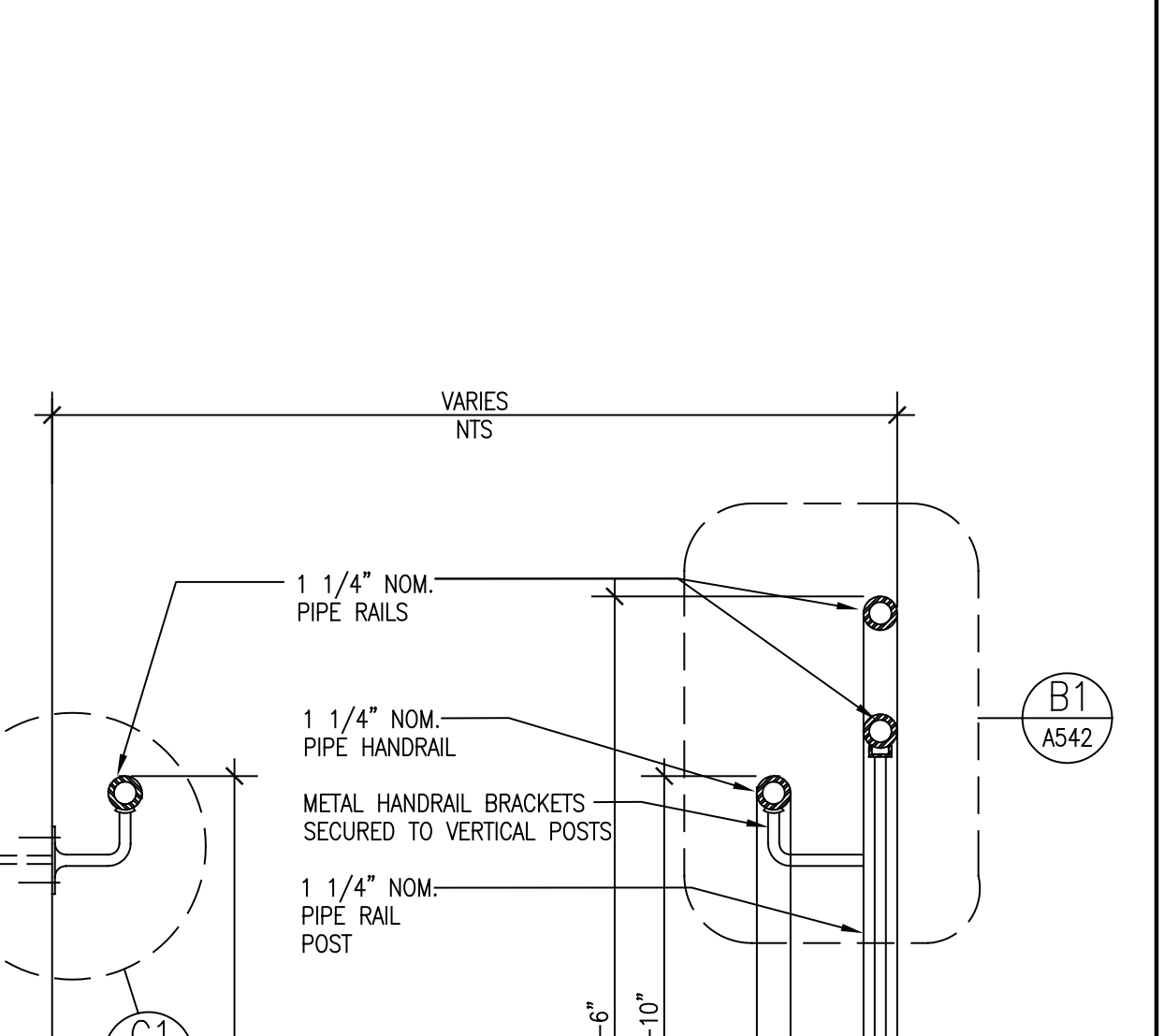
E1 TYPICAL STAIR PLAN
SCALE: 1/4" = 1'-0"



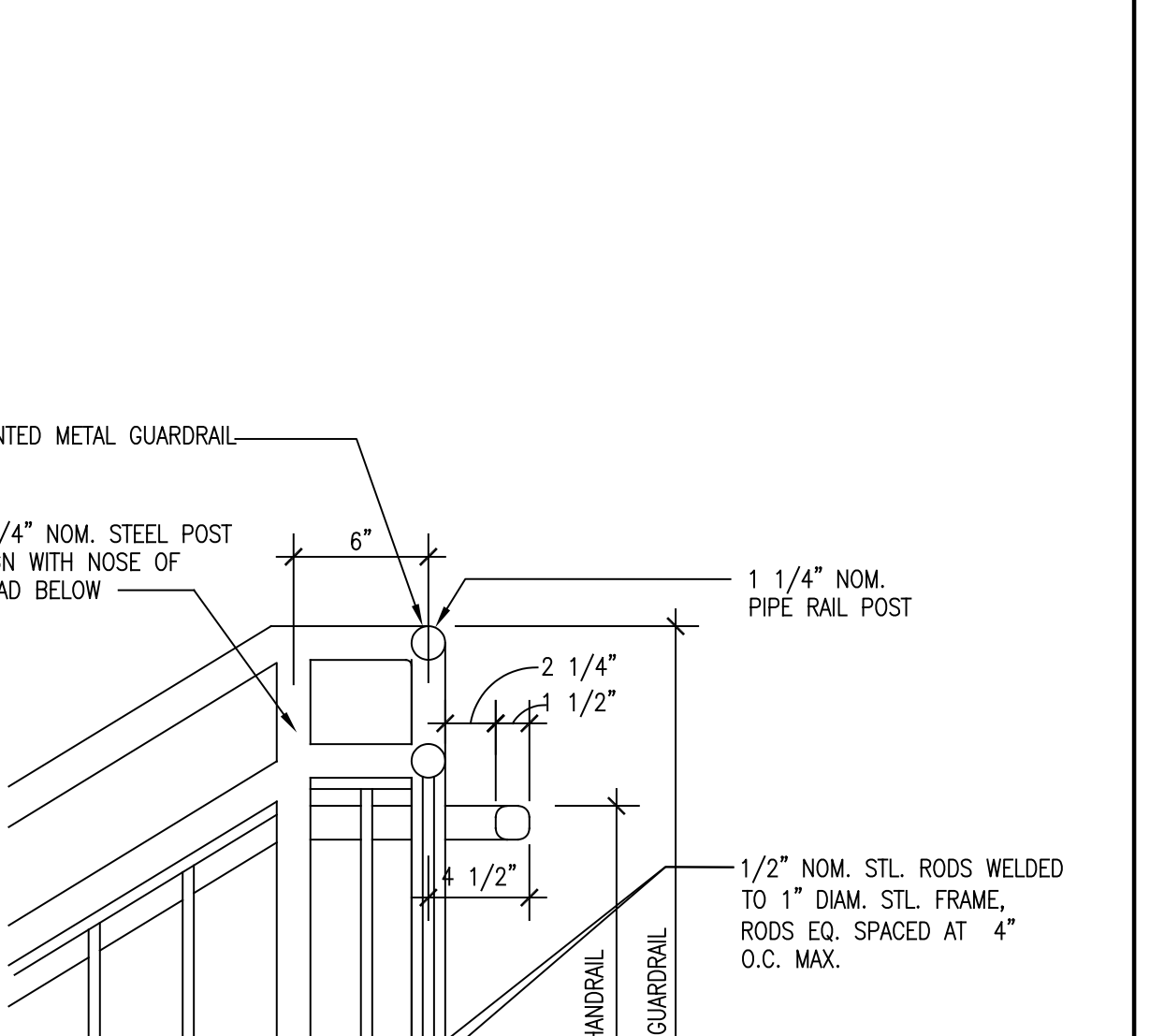
A2 TYPICAL NOSING DETAIL
SCALE: 6" = 1'-0"



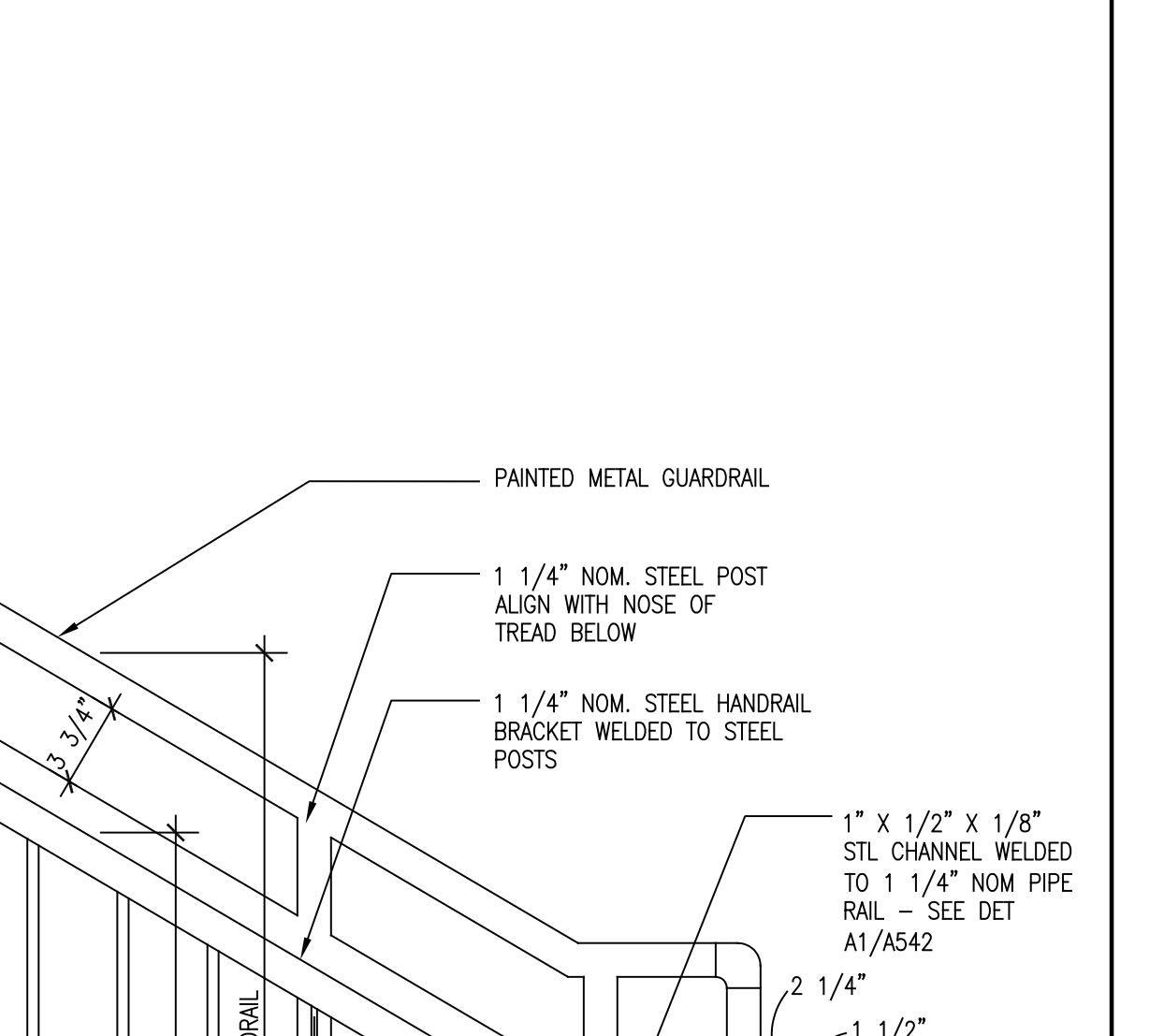
B2 SECTION DETAIL AT LANDING CHANNELS
SCALE: 1 1/2" = 1'-0"



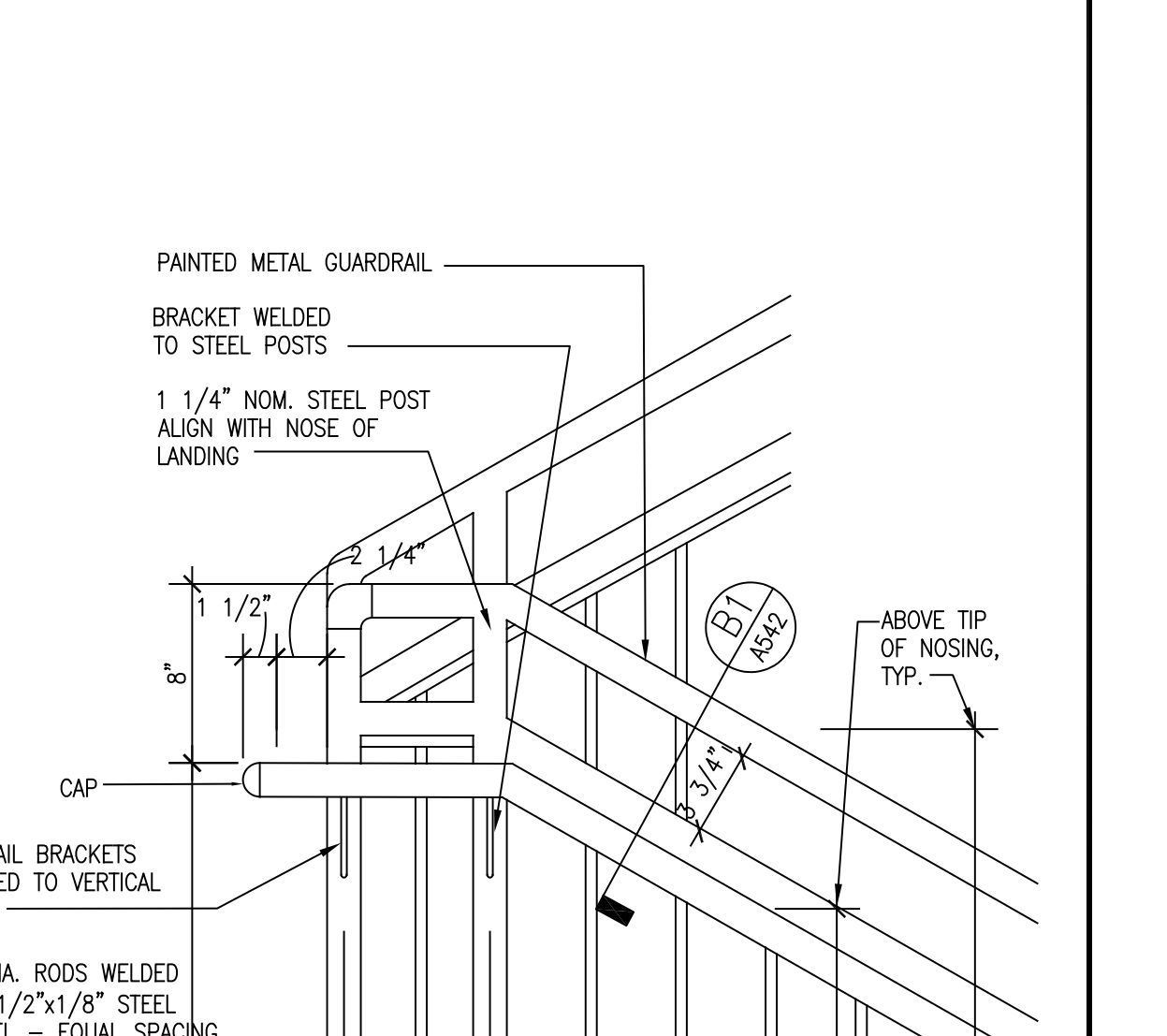
B3 SECTION DETAIL AT STAIR RAILING
SCALE: 1 1/2" = 1'-0"



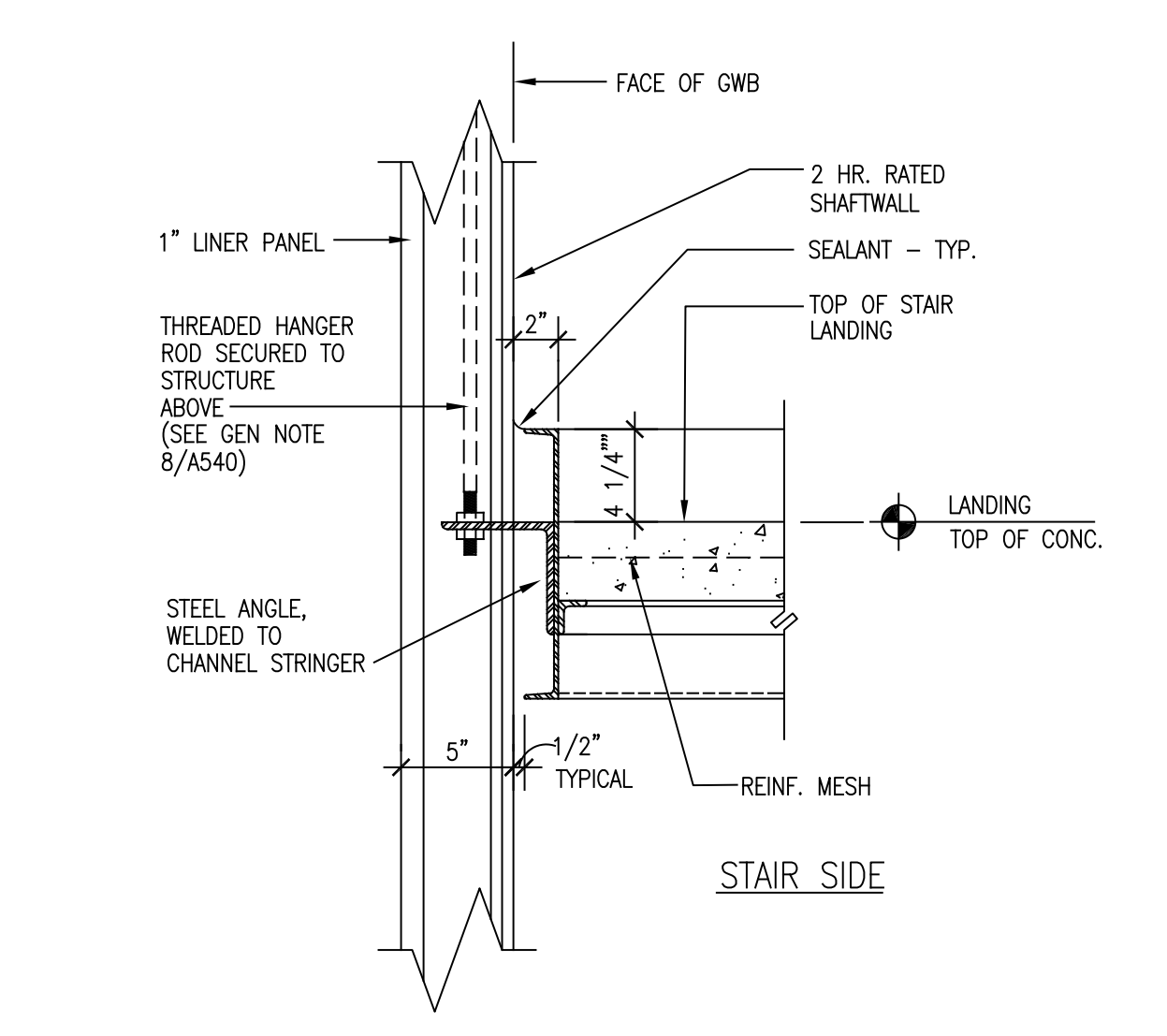
D3 SECTION DETAIL AT STAIR GUARDRAIL
SCALE: 1 1/2" = 1'-0"



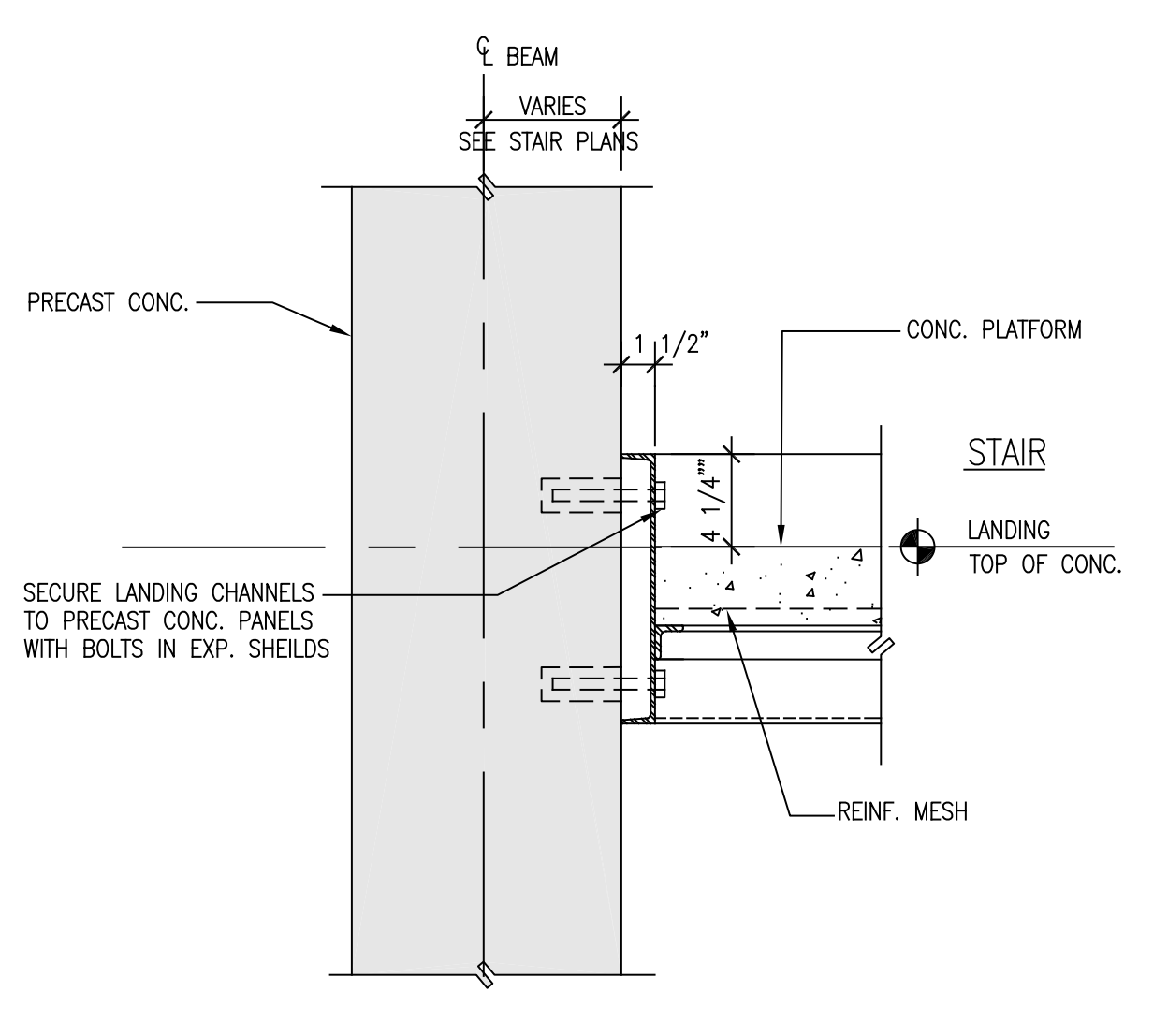
E3 SECTION/ELEVATION DETAIL AT 1ST FLOOR
SCALE: 1 1/2" = 1'-0"



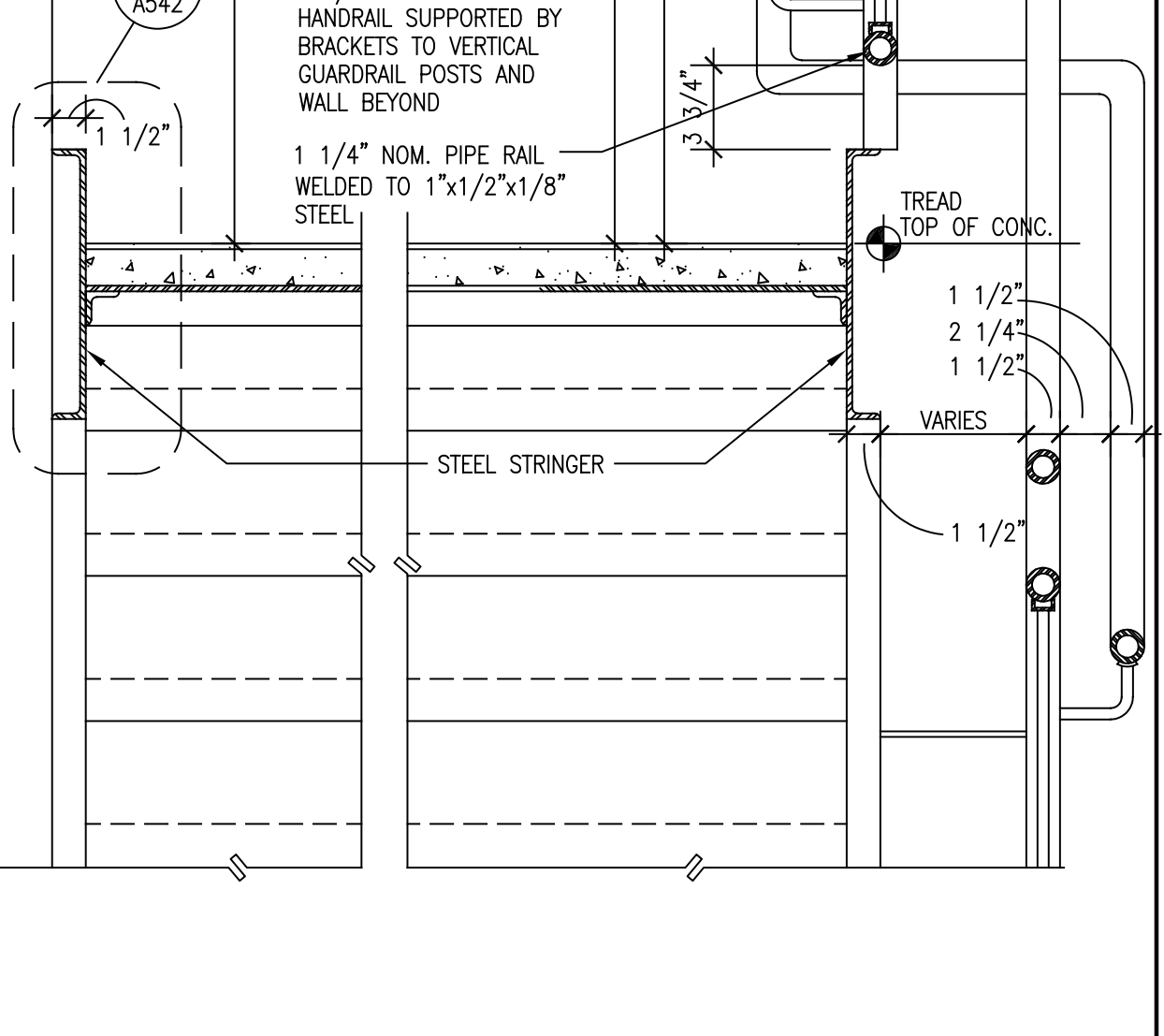
F3 SECTION/ELEVATION DETAIL AT LANDINGS
SCALE: 1 1/2" = 1'-0"



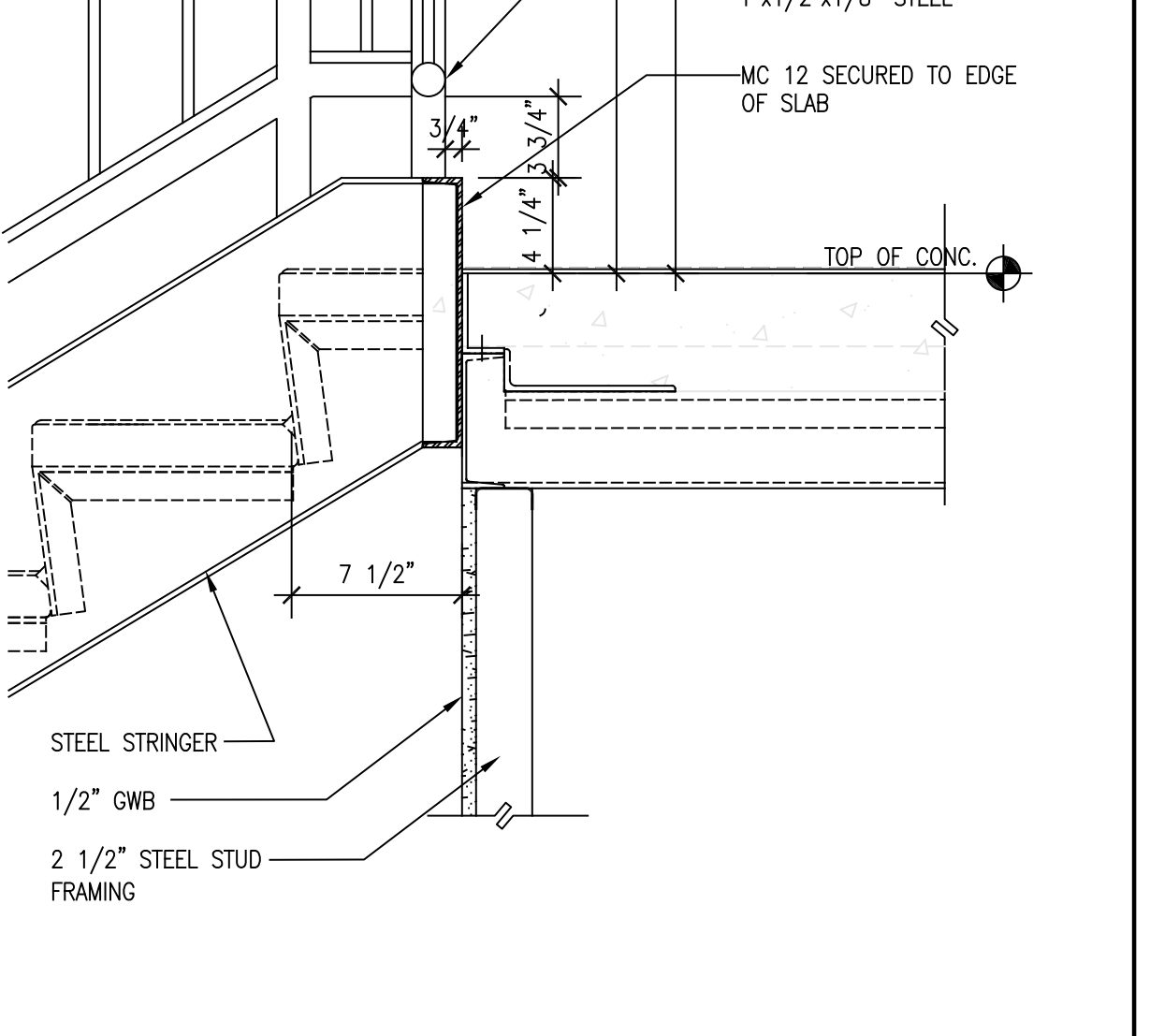
A3 SECTION DETAIL AT LANDING CHANNELS
SCALE: 1 1/2" = 1'-0"



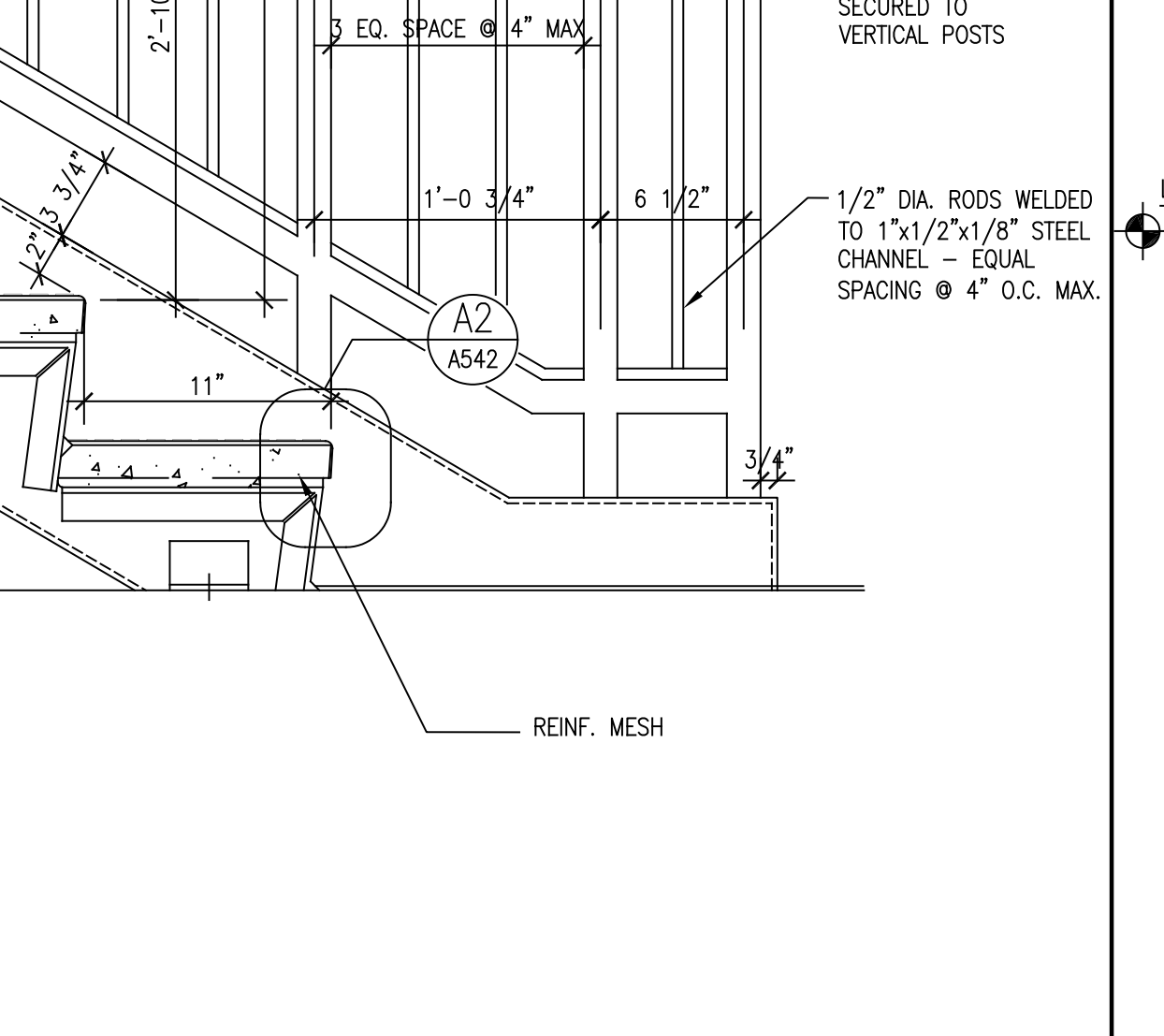
B3 SECTION DETAIL AT LANDING CHANNELS
SCALE: 1 1/2" = 1'-0"



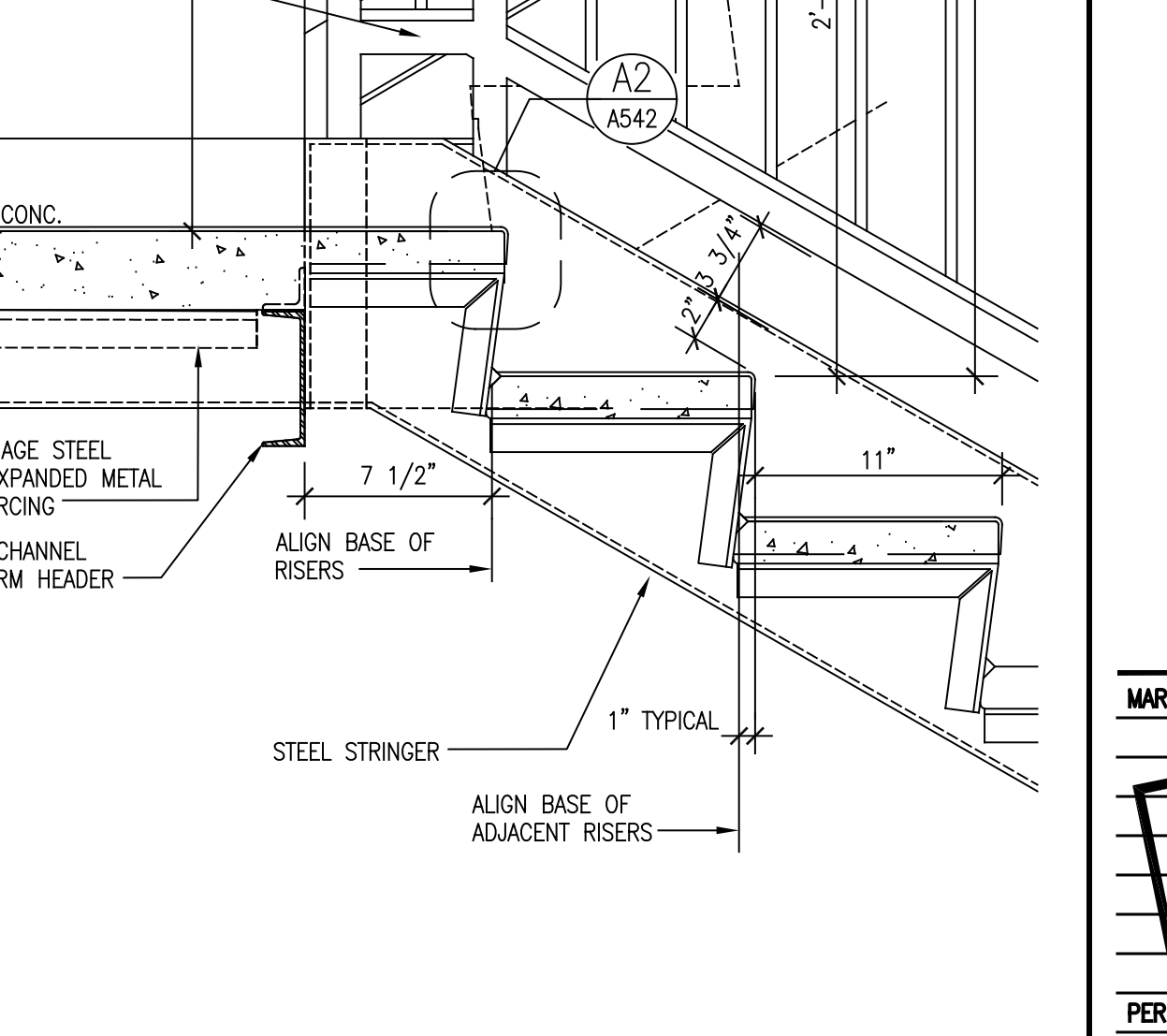
C3 SECTION DETAIL AT STAIR RAILING
SCALE: 1 1/2" = 1'-0"



D3 SECTION DETAIL AT STAIR GUARDRAIL
SCALE: 1 1/2" = 1'-0"

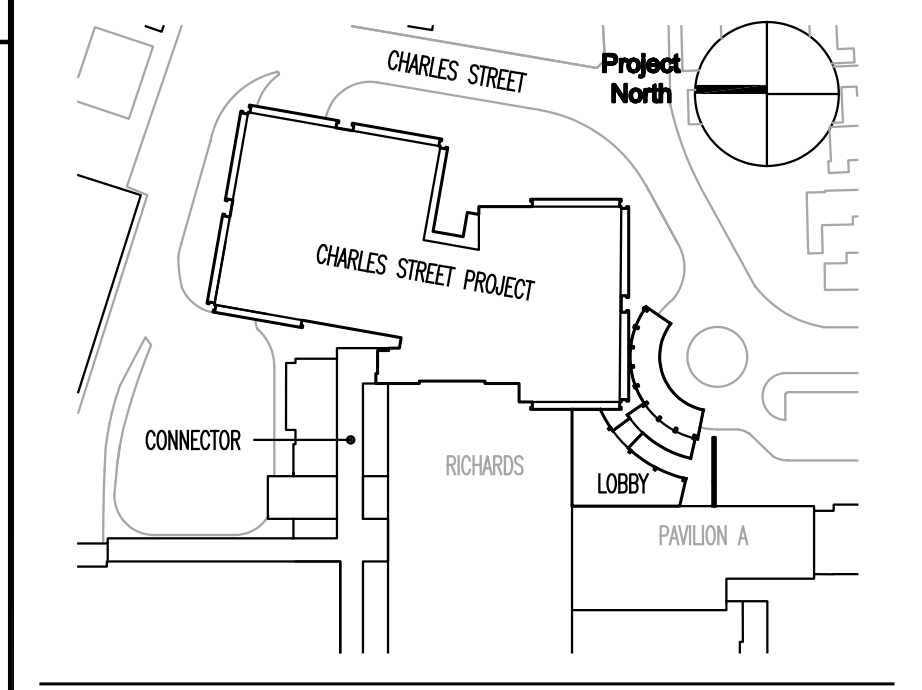


E3 SECTION/ELEVATION DETAIL AT 1ST FLOOR
SCALE: 1 1/2" = 1'-0"



F3 SECTION/ELEVATION DETAIL AT LANDINGS
SCALE: 1 1/2" = 1'-0"

MARK ISSUE DATE DESCRIPTION
**FOR PERMIT ONLY
NOT FOR CONSTRUCTION**
PERMIT 09/24/04 PERMIT SET - NOT FOR CONSTRUCTION
Issue Log



TRO
ARCHITECTURE
PLANNING
ENGINEERING
INTERIOR DESIGN
The Ritchie Organization
80 Bridge Street
Newton, MA 02459-1194
978-550-9400

Maine Medical Center
Charles Street Project
Portland, Maine MMC Project No. 21841

Drawing Title
STAIR DETAILS

Commission No.	4673	Date Issued	
Scale	AS NOTED	Sheet Number	
Drawn By		Checked By	
Approved By		File Name	
Copyright © 2004	The Ritchie Organization		

A542