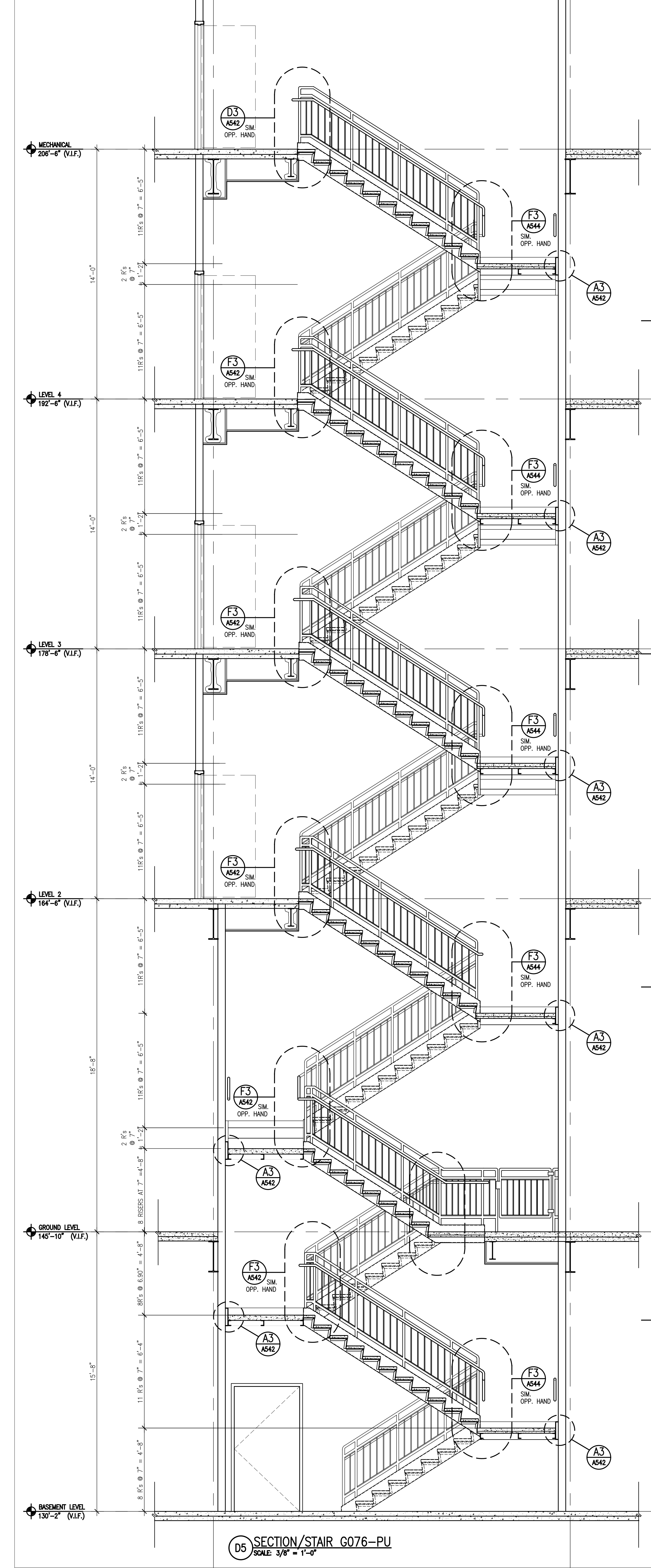


A5 SECTION/STAIR G075-PU
SCALE: 3/8" = 1'-0"



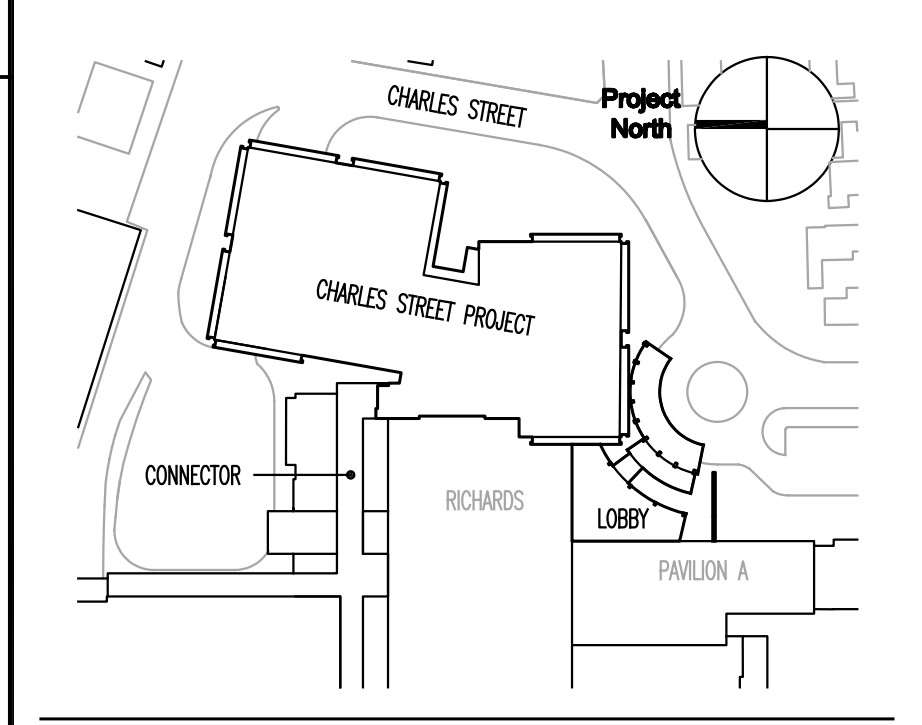
D5 SECTION/STAIR G076-PU
SCALE: 3/8" = 1'-0"

General Notes:

FOR PERMIT ONLY
NOT FOR CONSTRUCTION

PERMIT 09/24/04 PERMIT SET - NOT FOR CONSTRUCTION

Issue Log



Key Plan

Maine Medical Center
Charles Street Project
Portland, Maine MMC Project No. 21841

Drawing Title
STAIR SECTIONS



Commission No.	4673	Date Issued	
Scale	3/8" = 1'-0"	Sheet Number	A541
Drawn By		Approved By	
File Name	4673A541.dwg	Copyright	© 2004 The Ritchie Organization