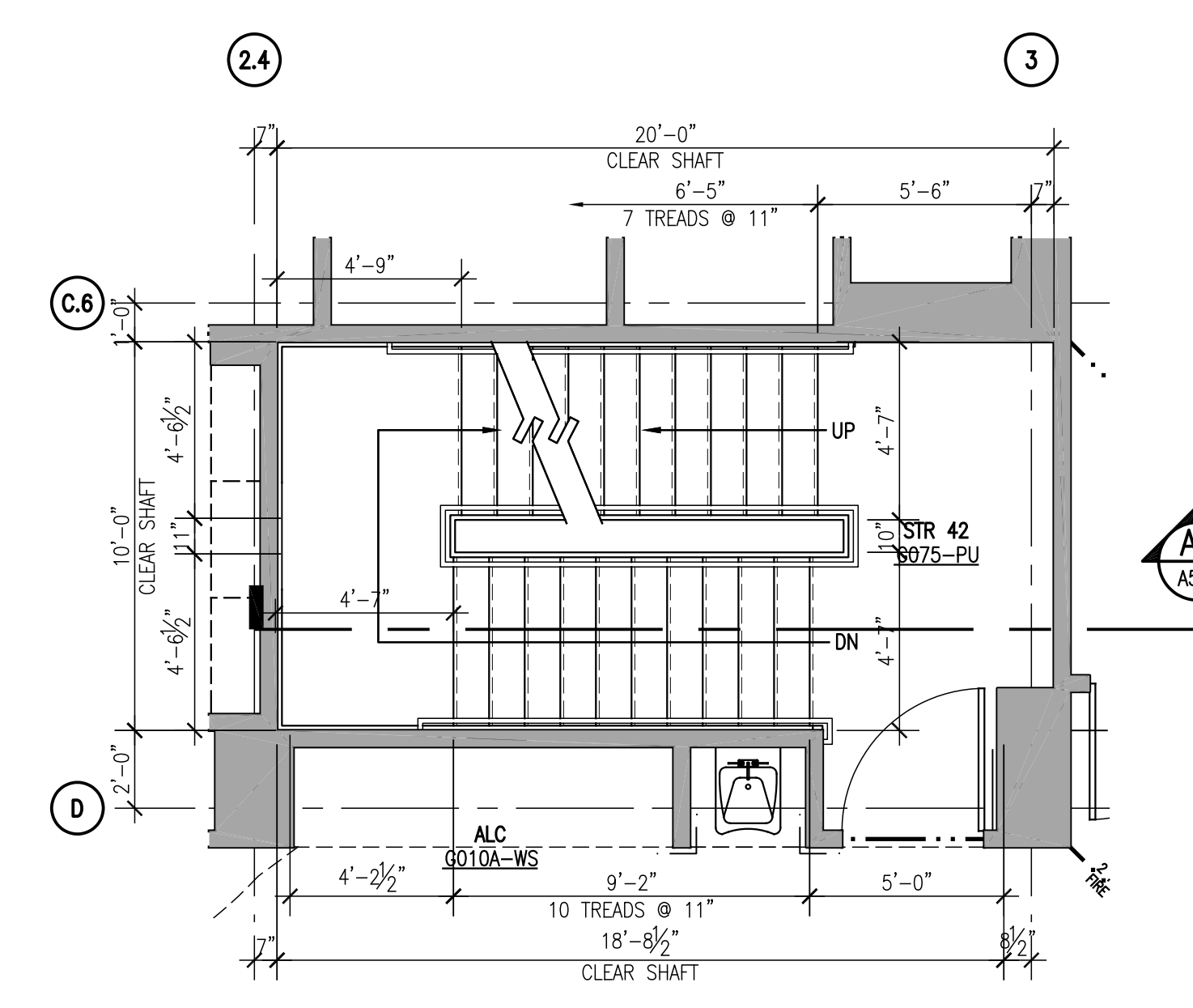
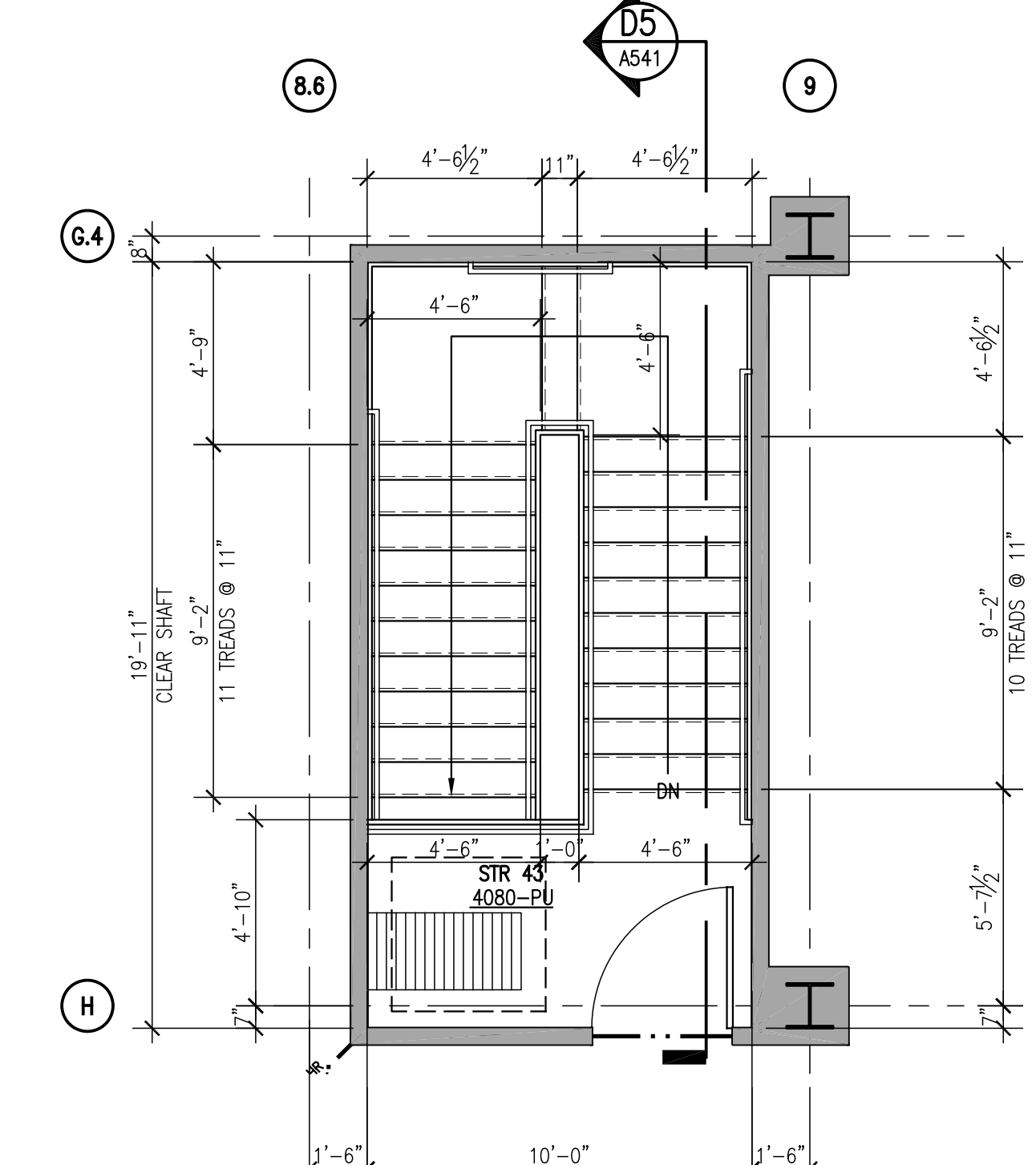


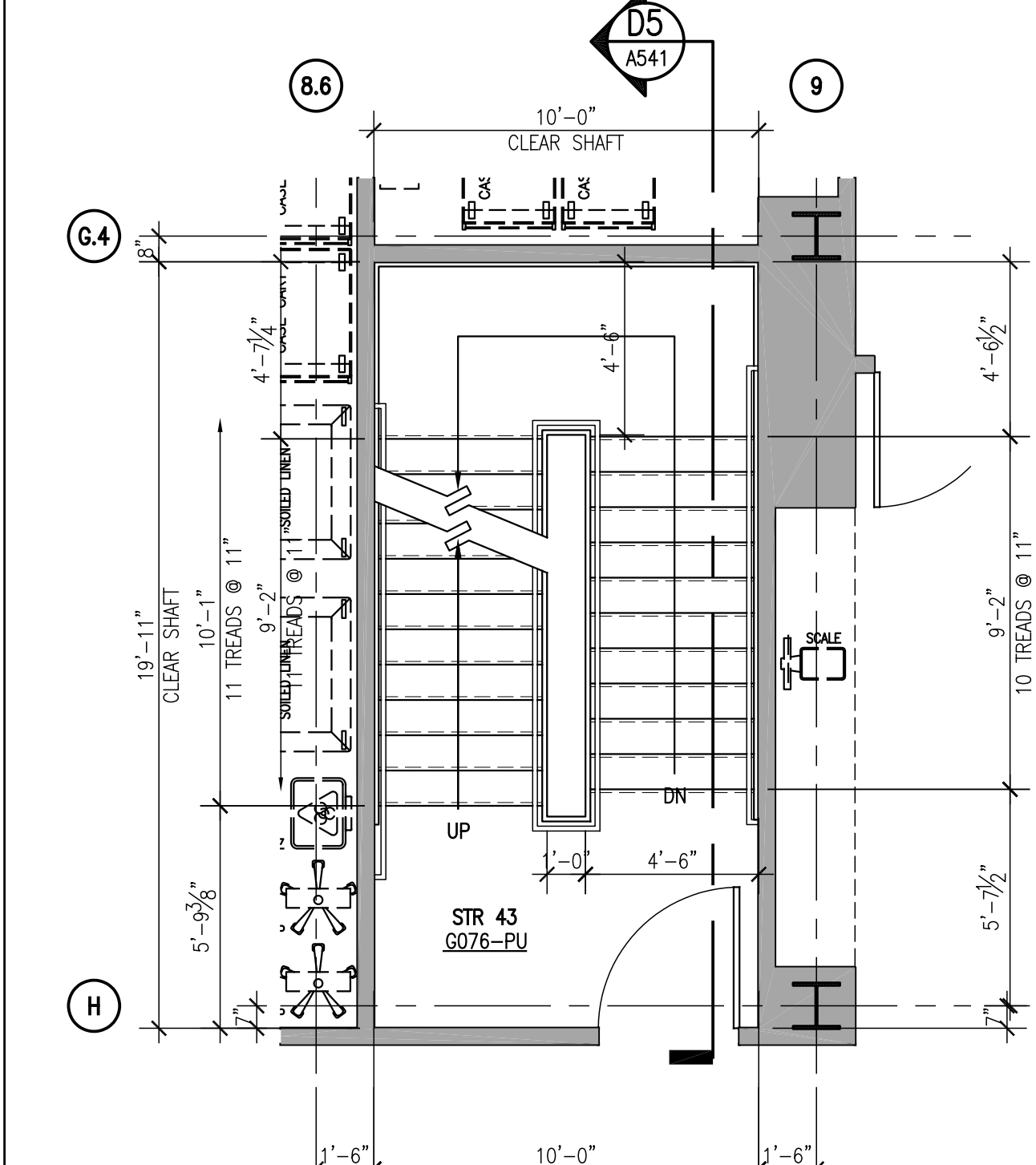
STAIR 42
FOURTH FLOOR PLAN
SCALE: 1/4" = 1'-0"



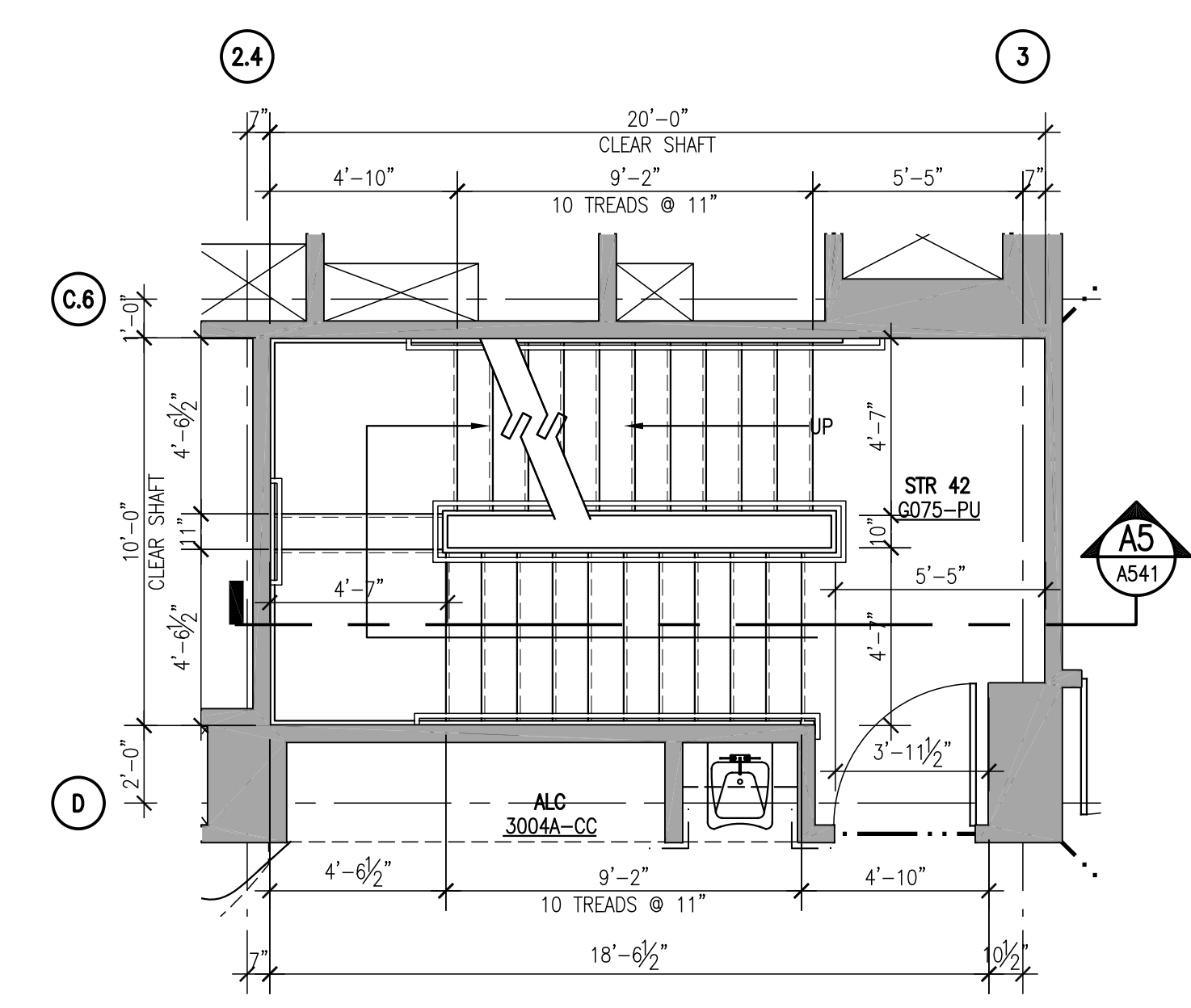
STAIR 42
GROUND FLOOR PLAN
SCALE: 1/4" = 1'-0"



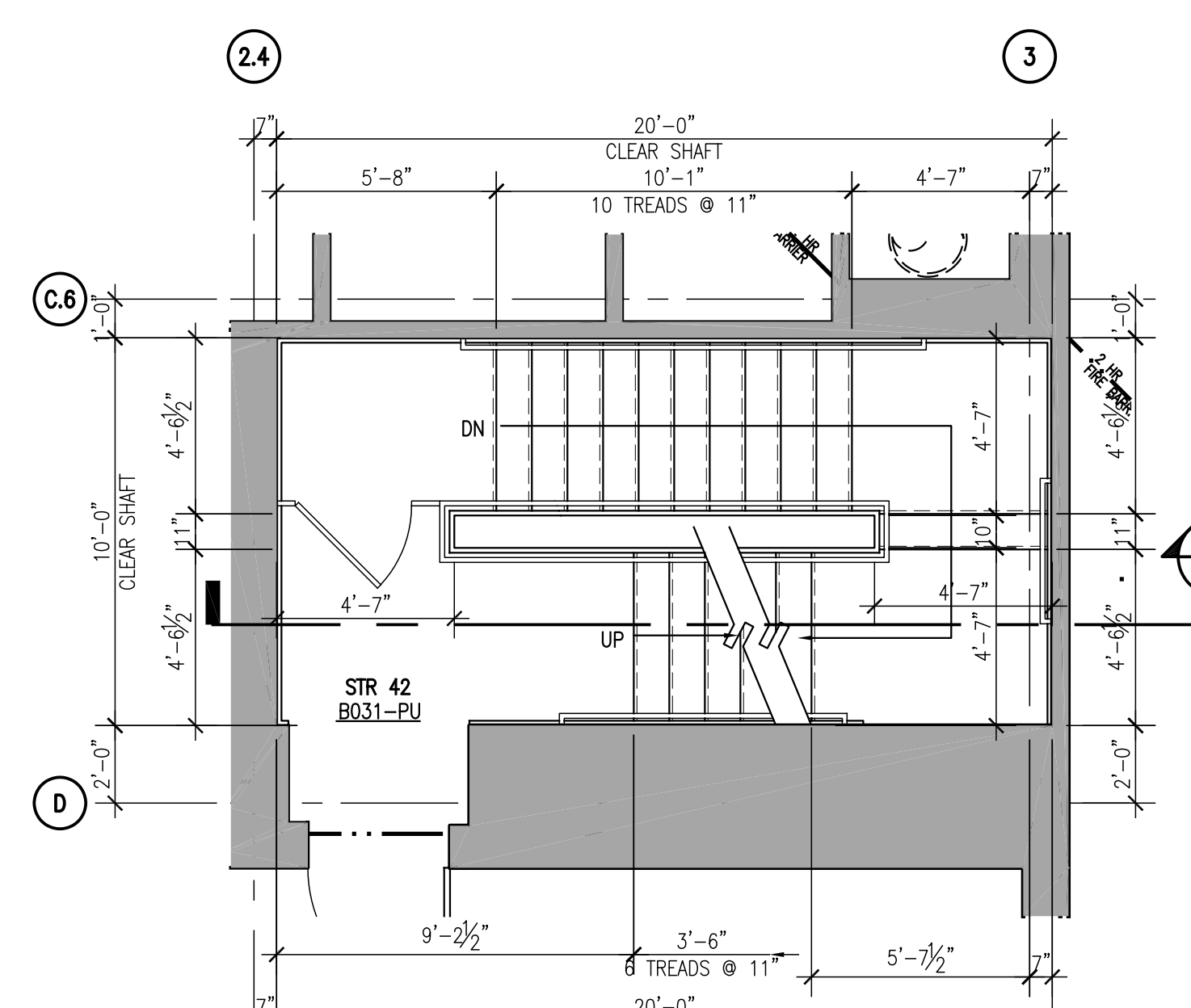
STAIR 43
FIFTH FLOOR PLAN
SCALE: 1/4" = 1'-0"



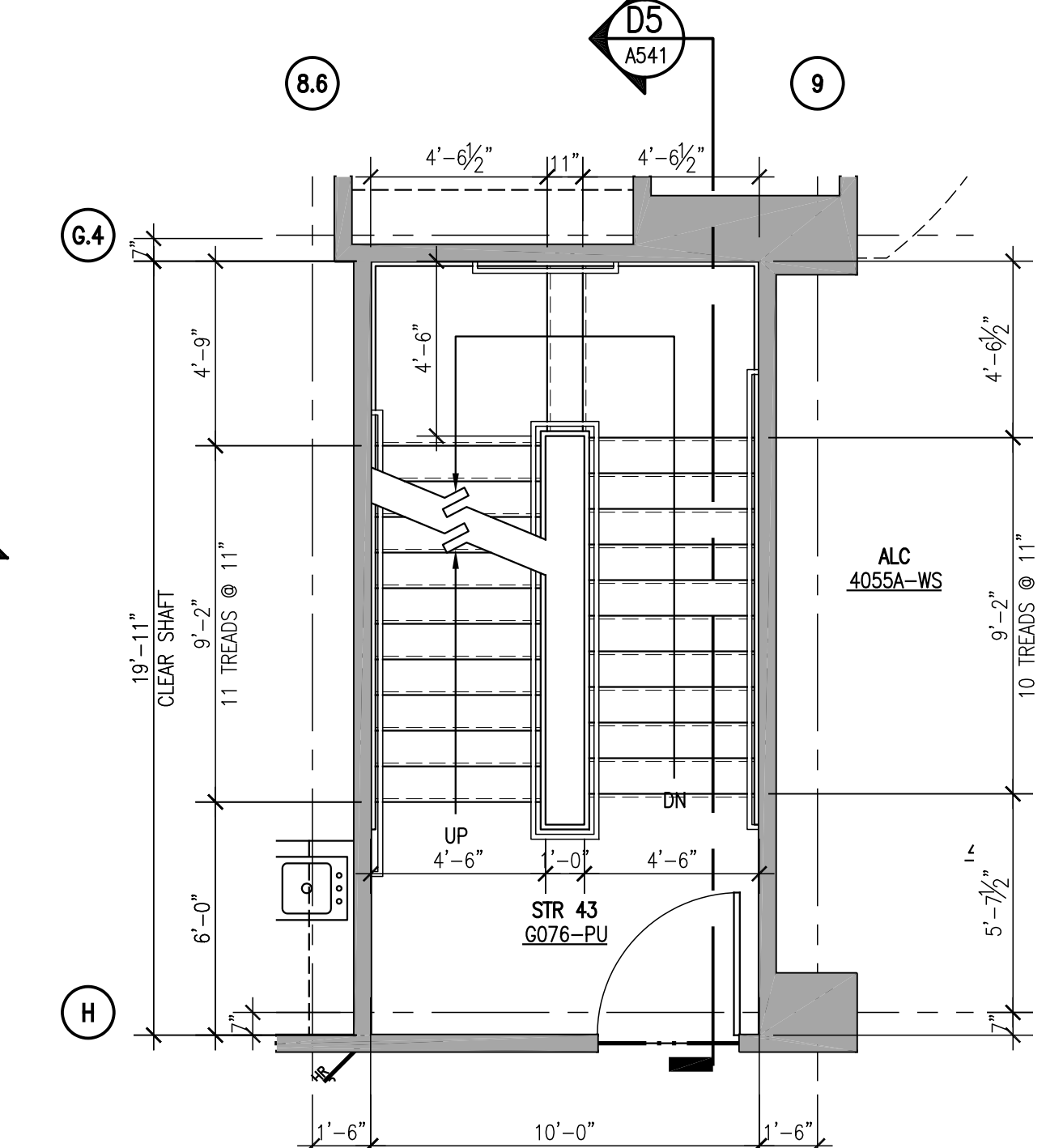
STAIR 43
SECOND FLOOR PLAN
SCALE: 1/4" = 1'-0"



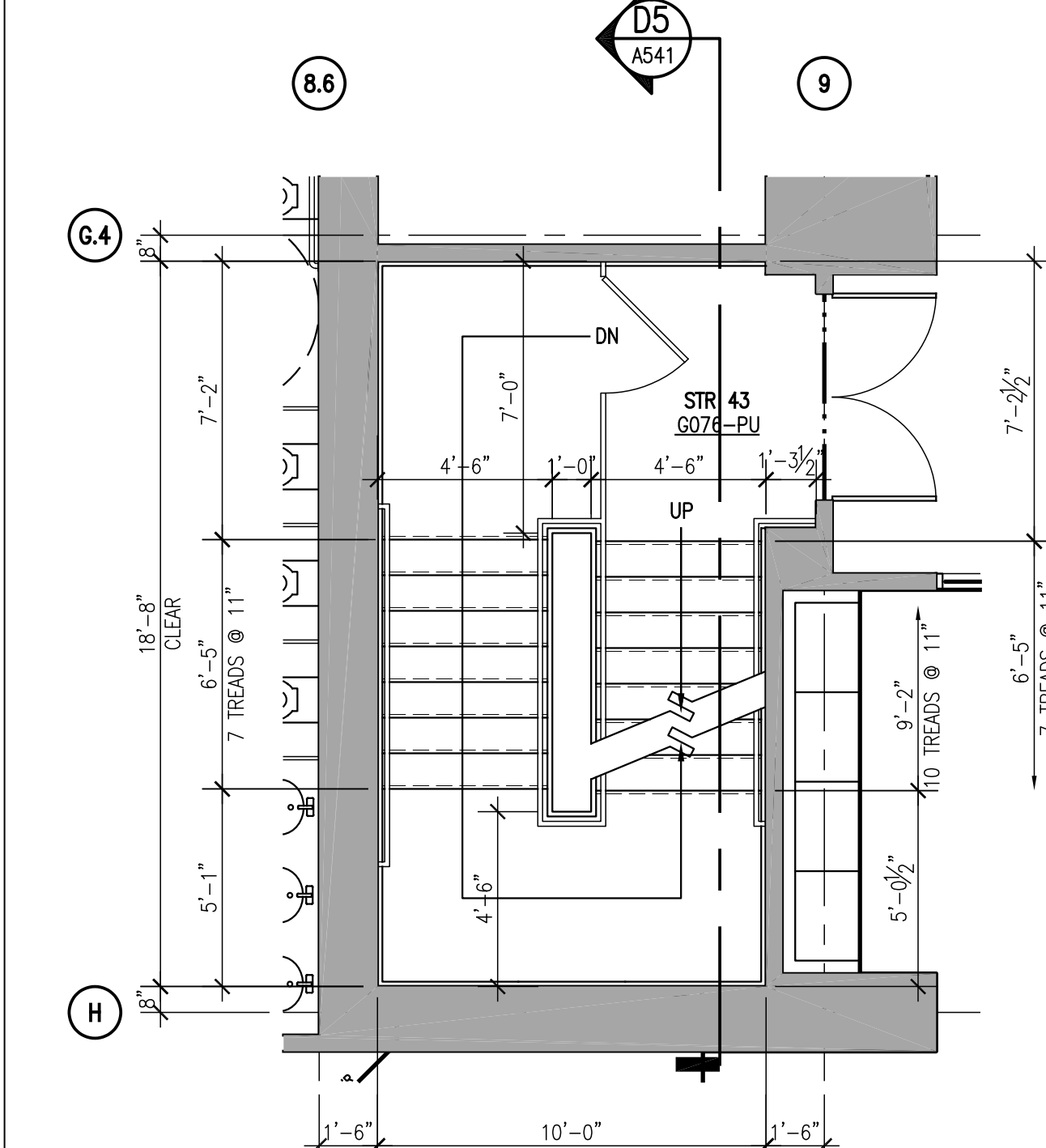
STAIR 42
THIRD FLOOR PLAN
SCALE: 1/4" = 1'-0"



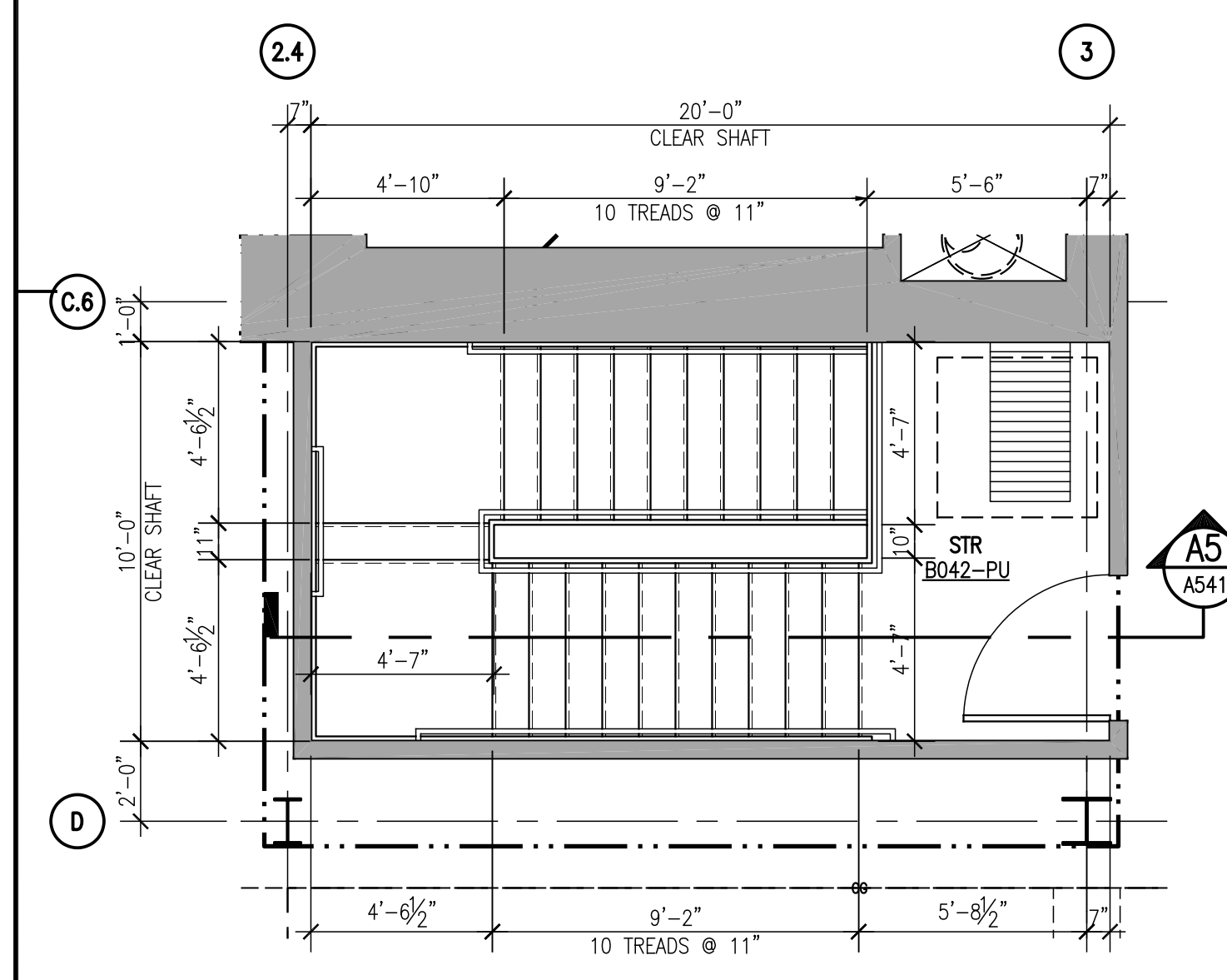
STAIR 42
BASEMENT PLAN
SCALE: 1/4" = 1'-0"



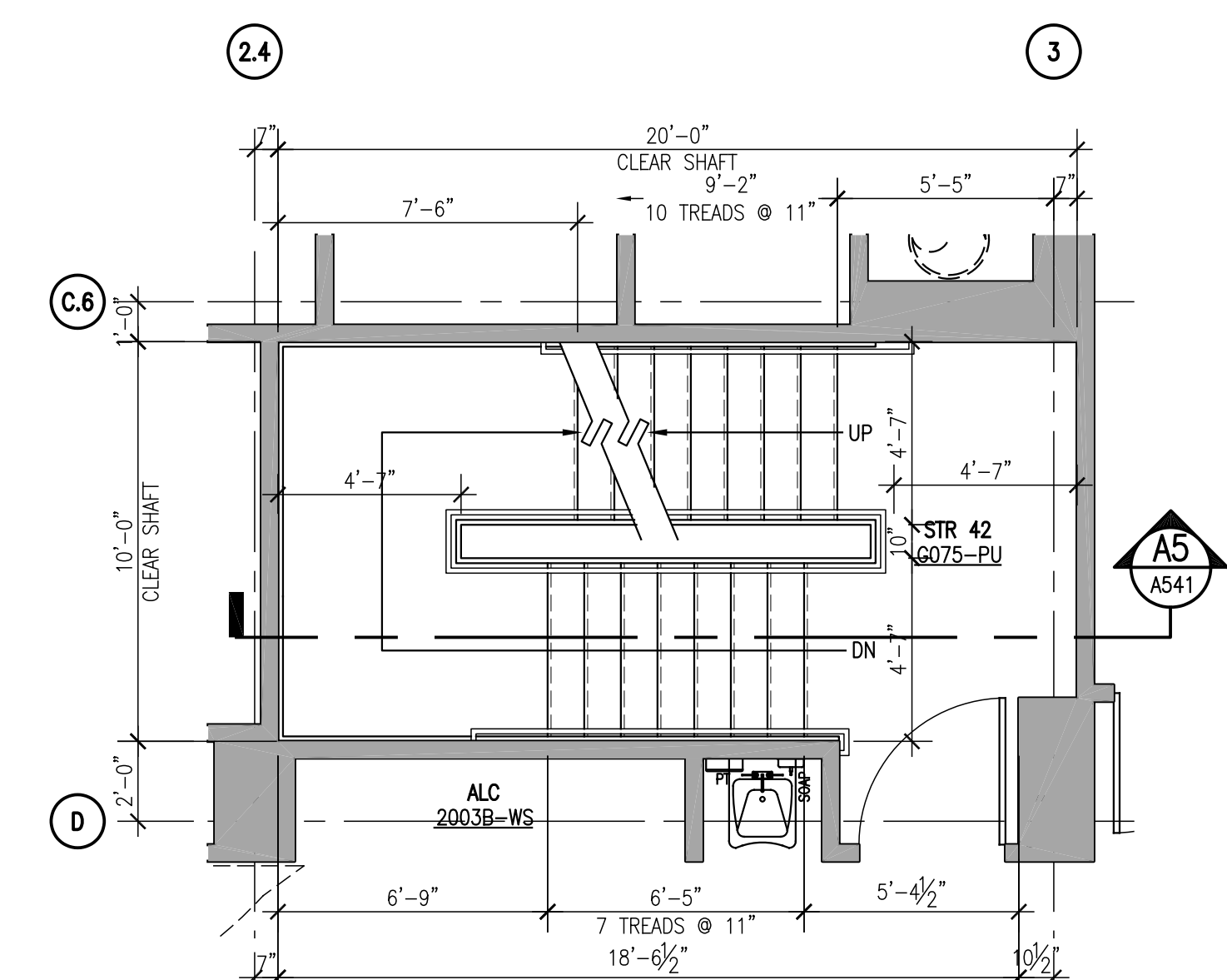
STAIR 43
FOURTH FLOOR PLAN
SCALE: 1/4" = 1'-0"



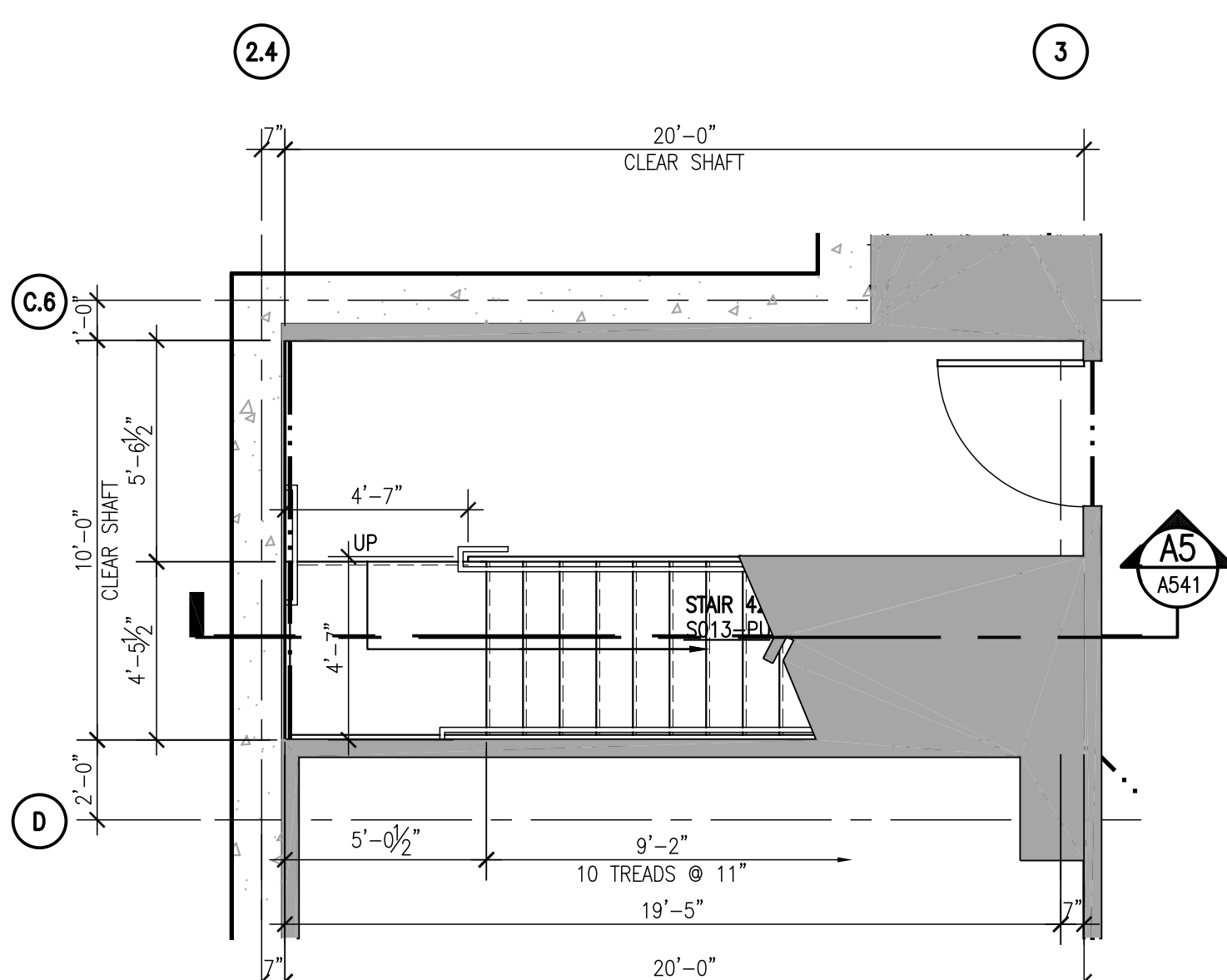
STAIR 43
GROUND FLOOR PLAN
SCALE: 1/4" = 1'-0"



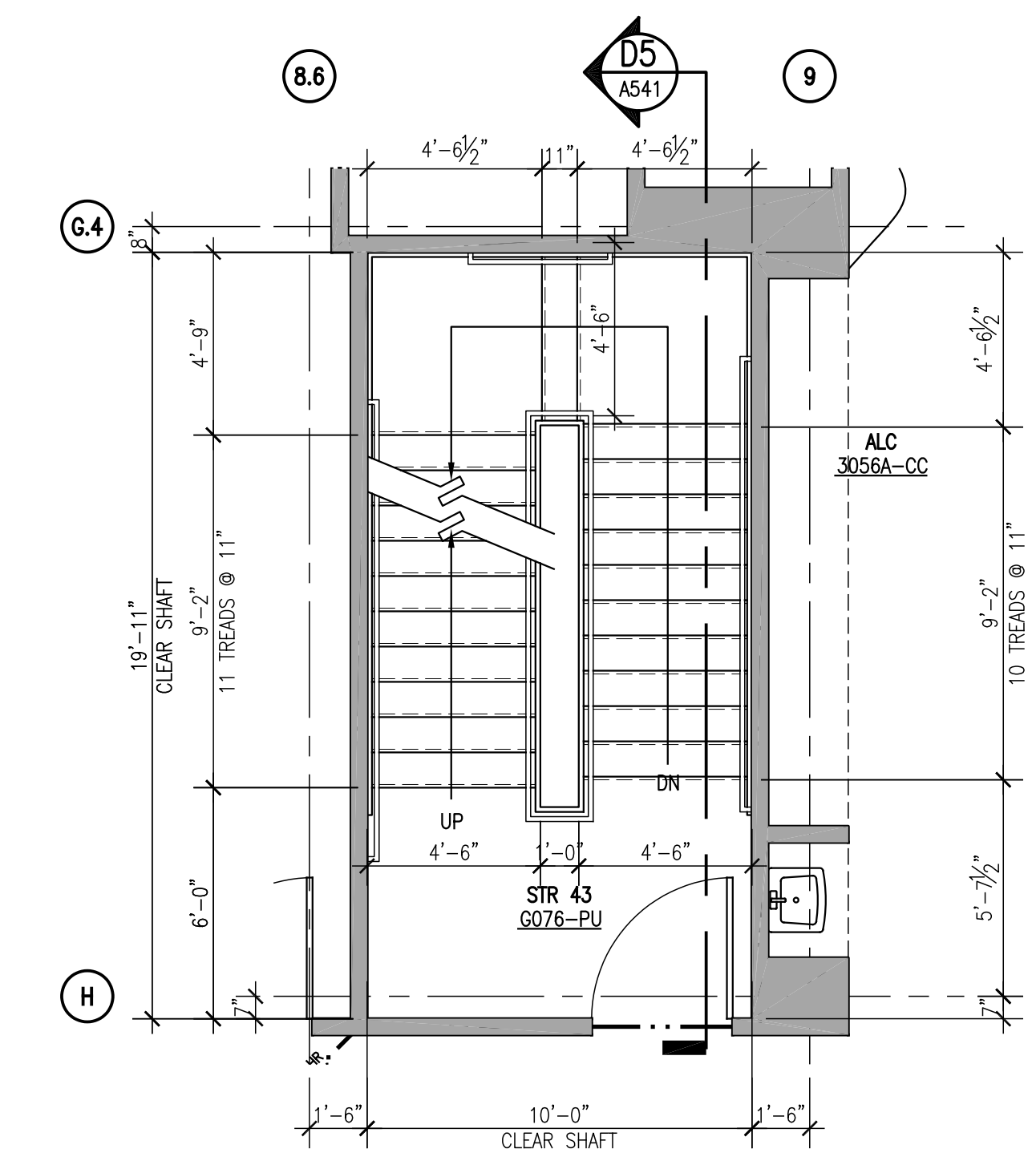
STAIR 42
FIFTH FLOOR PLAN
SCALE: 1/4" = 1'-0"



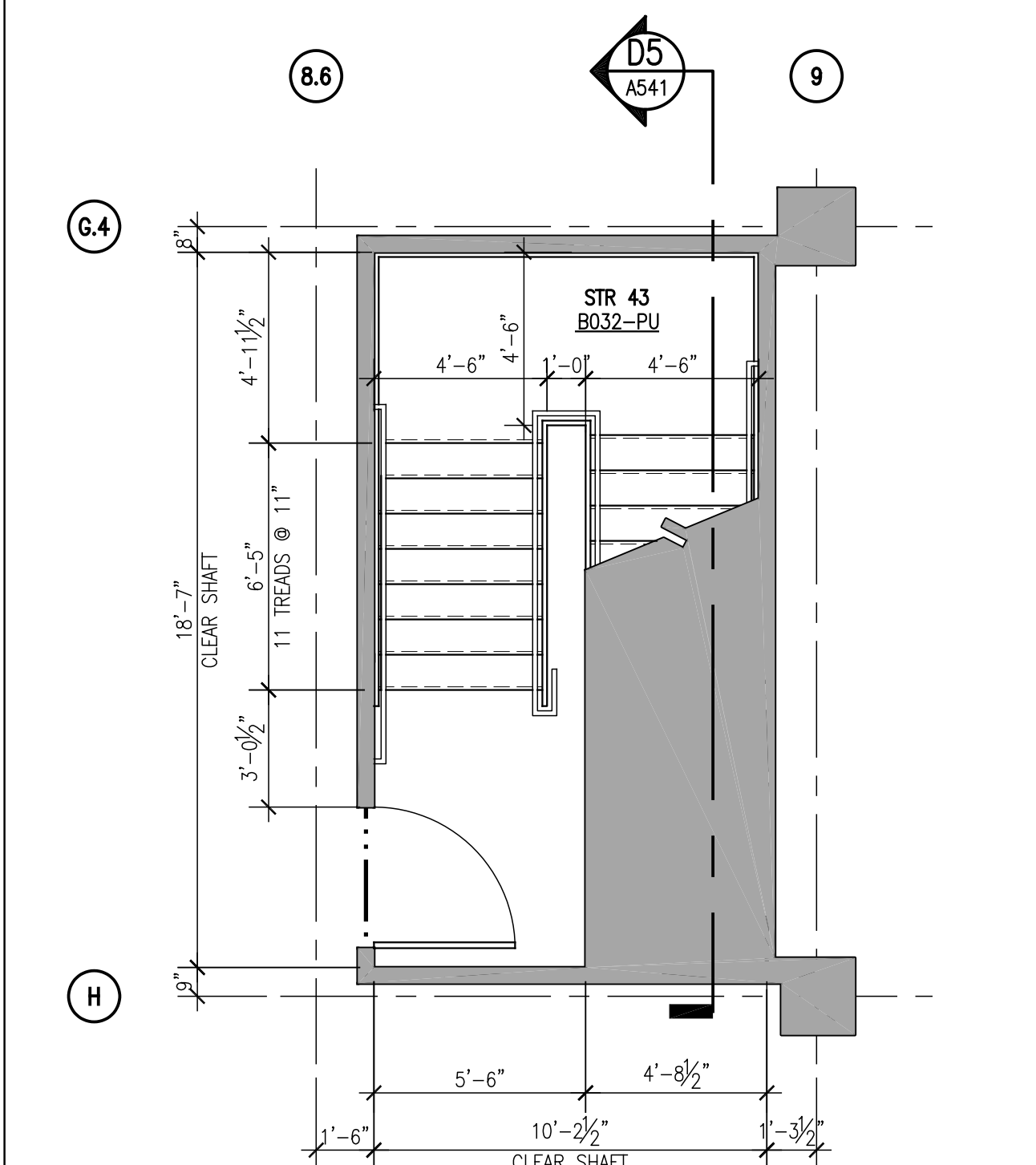
STAIR 42
SECOND FLOOR PLAN
SCALE: 1/4" = 1'-0"



STAIR 42
SUB-BASEMENT PLAN
SCALE: 1/4" = 1'-0"

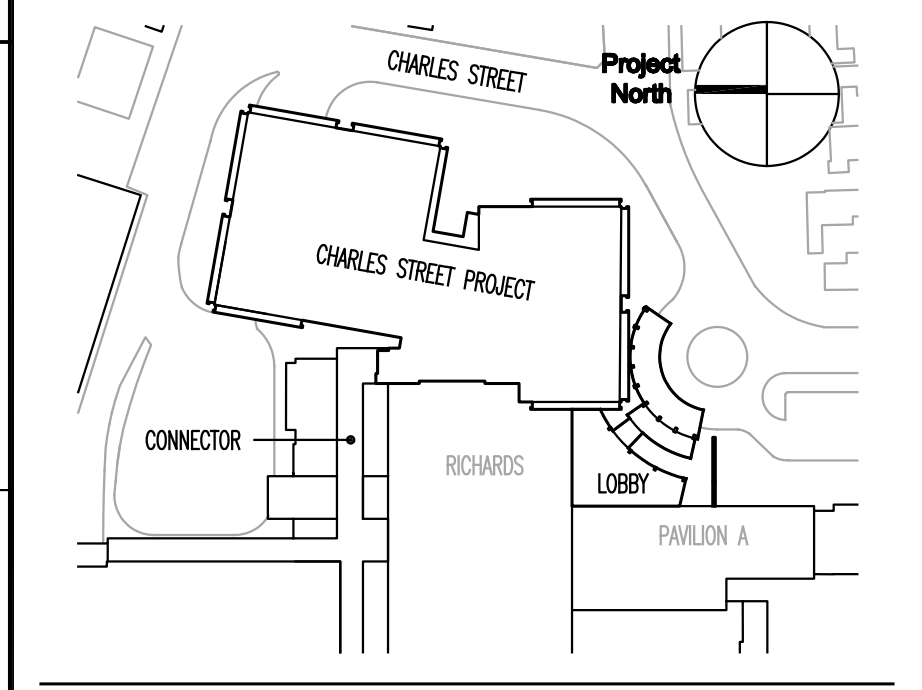


STAIR 43
THIRD FLOOR PLAN
SCALE: 1/4" = 1'-0"



STAIR 43
BASEMENT PLAN
SCALE: 1/4" = 1'-0"

FOR PERMIT ONLY
NOT FOR CONSTRUCTION



Key Plan

TRO
ARCHITECTURE
PLANNING
ENGINEERING
INTERIOR DESIGN
The Ritchie Organization
80 Bridge Street
Newton, MA 02459-1194
617-550-9100

Maine Medical Center
Charles Street Project
Portland, Maine MMC Project No. 21841

ENLARGED STAIR PLANS

Commission No.	4673	Date Issued	
Scale	AS NOTED	Sheet Number	
Drawn By		Approved By	
File Name	4673AS40.dwg		
Copyright	© 2014	The Ritchie Organization	

A540