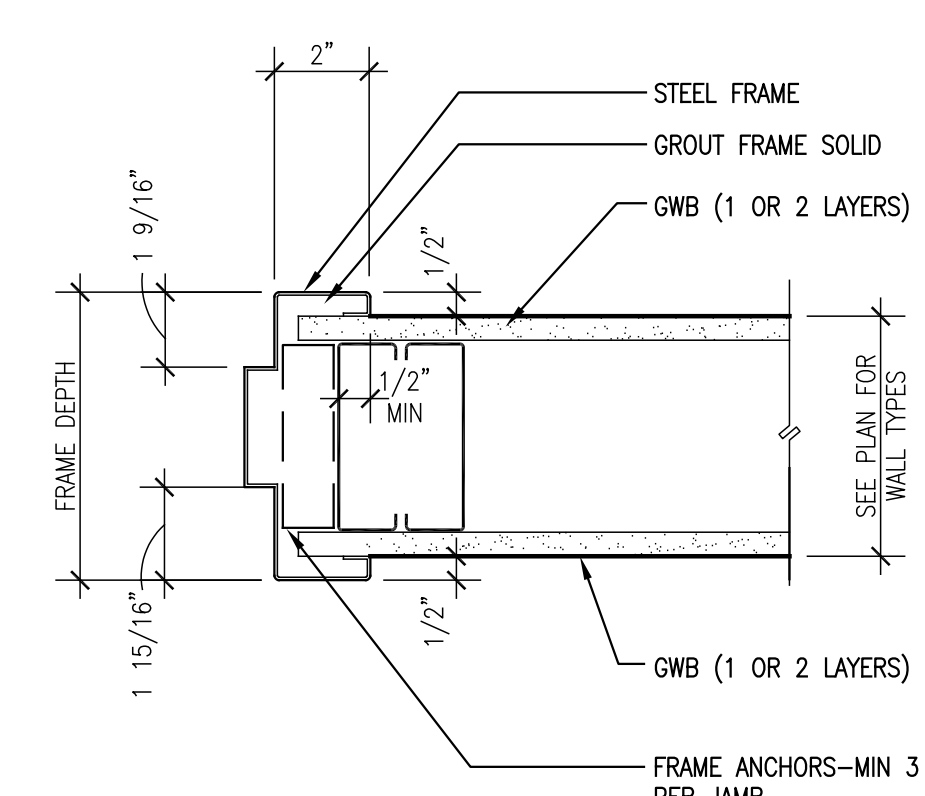
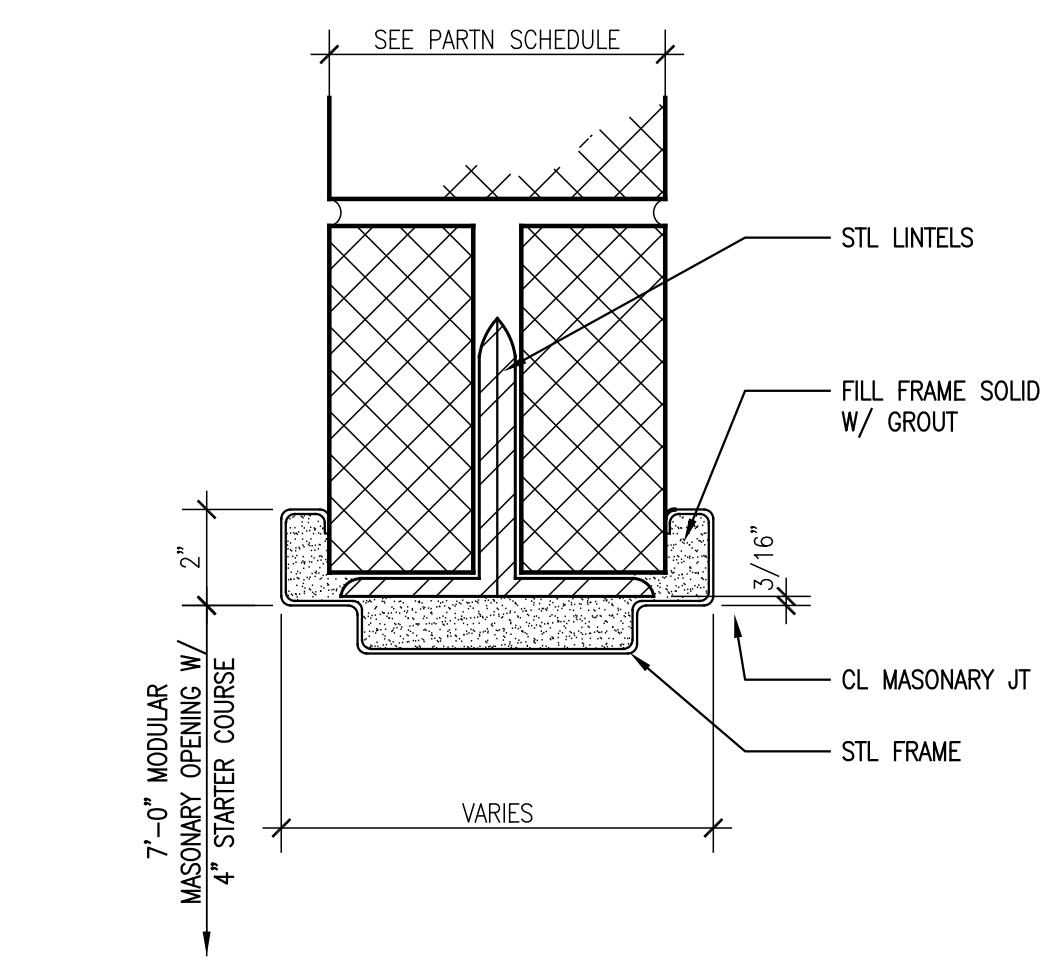


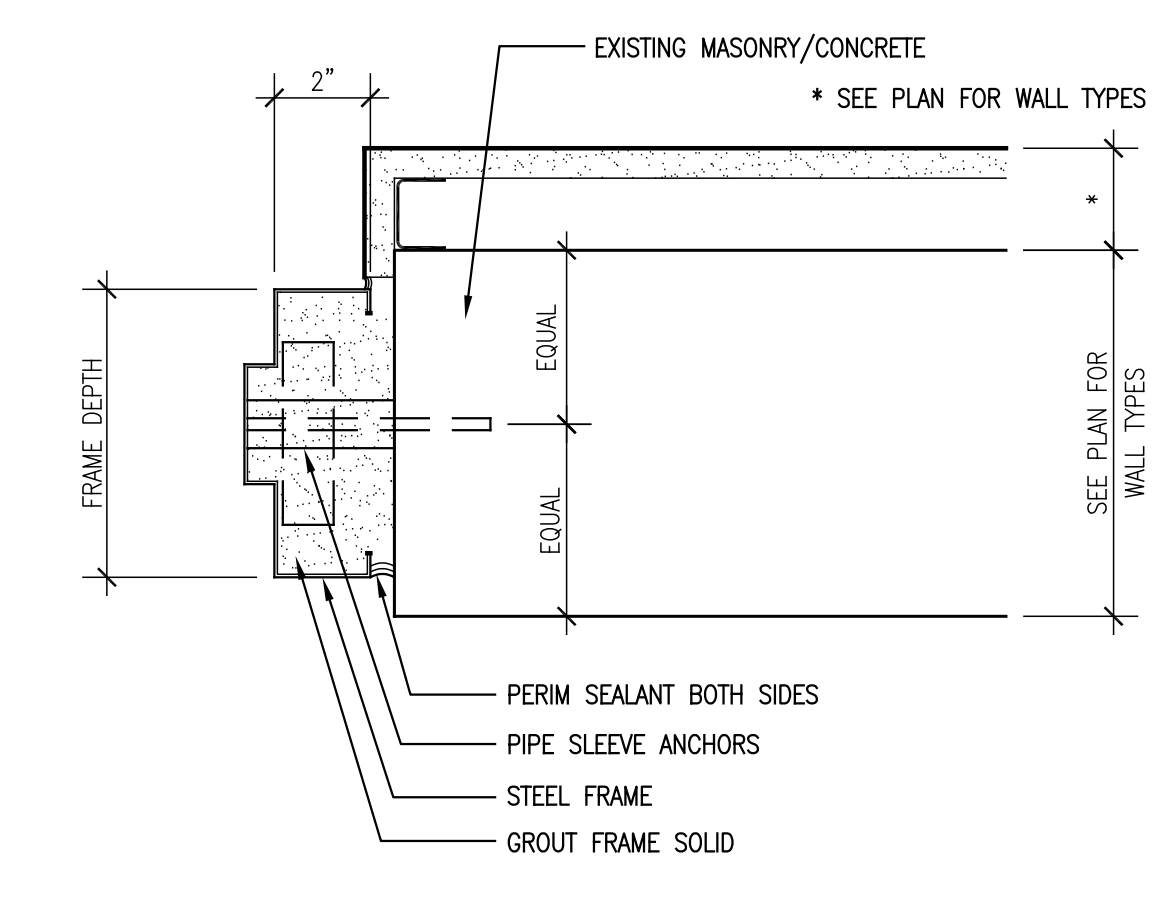
D1 HEAD DETAIL AT DOOR FRAME IN GWB PRTN
SCALE 3" = 1'-0"



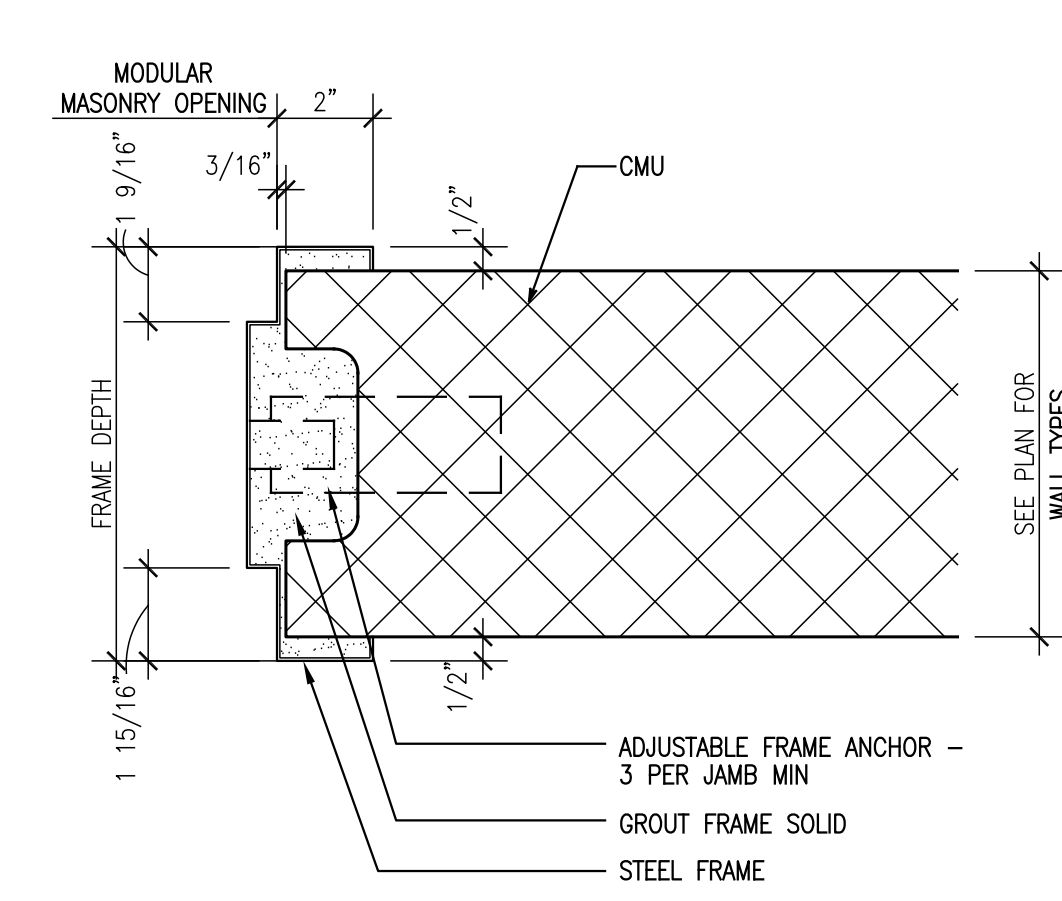
D2 JAMB DETAIL AT DOOR FRAME
SCALE 3" = 1'-0"



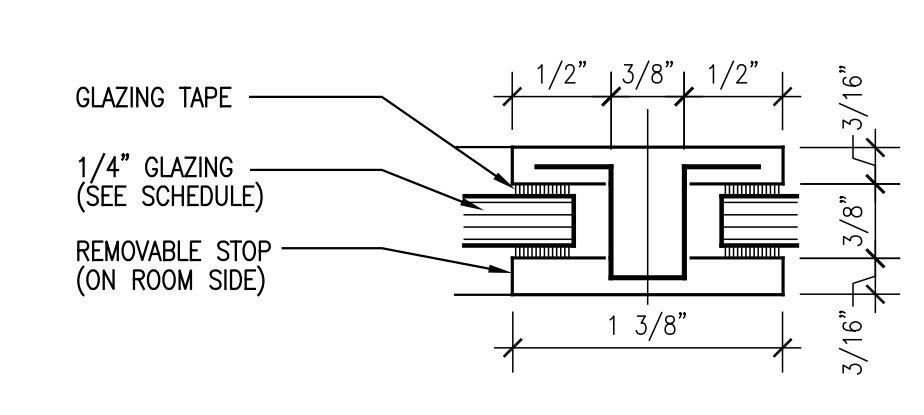
E2 HEAD DETAIL AT DOOR FRAME IN MASONRY PRTN
SCALE 3" = 1'-0"



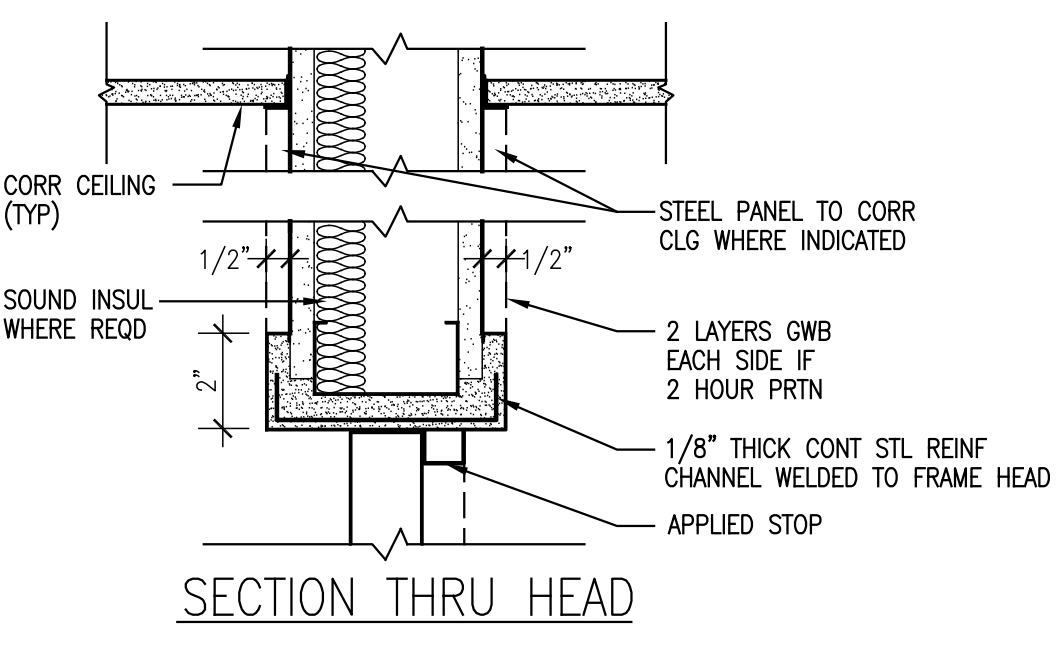
D3 JAMB DETAIL AT DOOR FRAME
SCALE 3" = 1'-0"



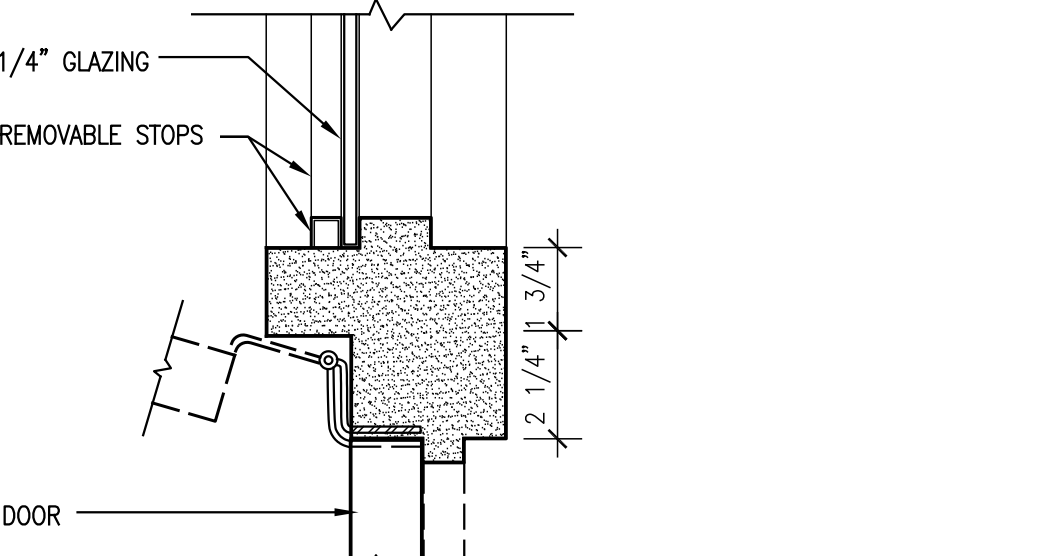
E3 JAMB DETAIL AT DOOR FRAME
SCALE 3" = 1'-0"



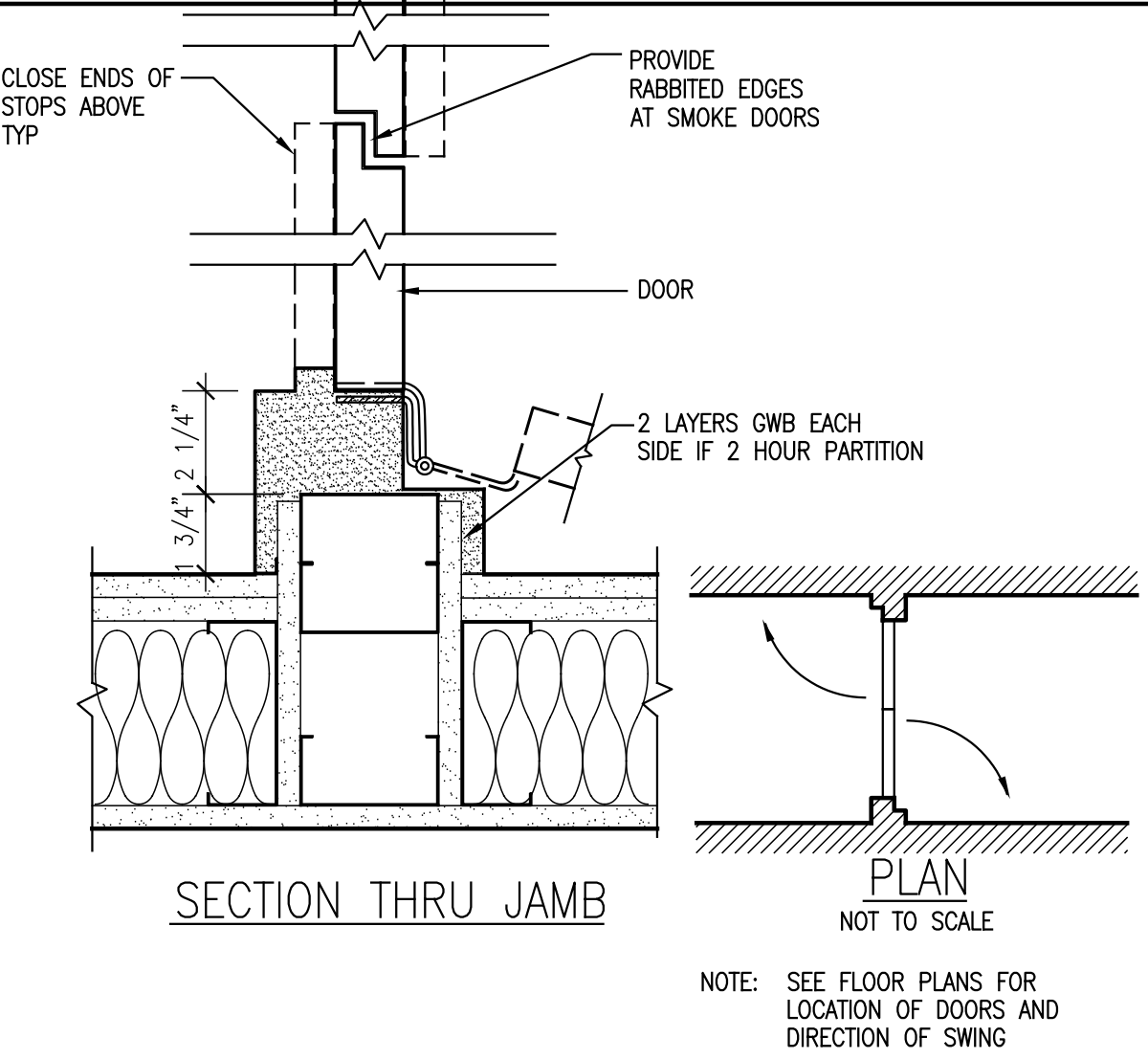
C3 MUNTIN DETAIL
SCALE 1'-0" = 1'-0"



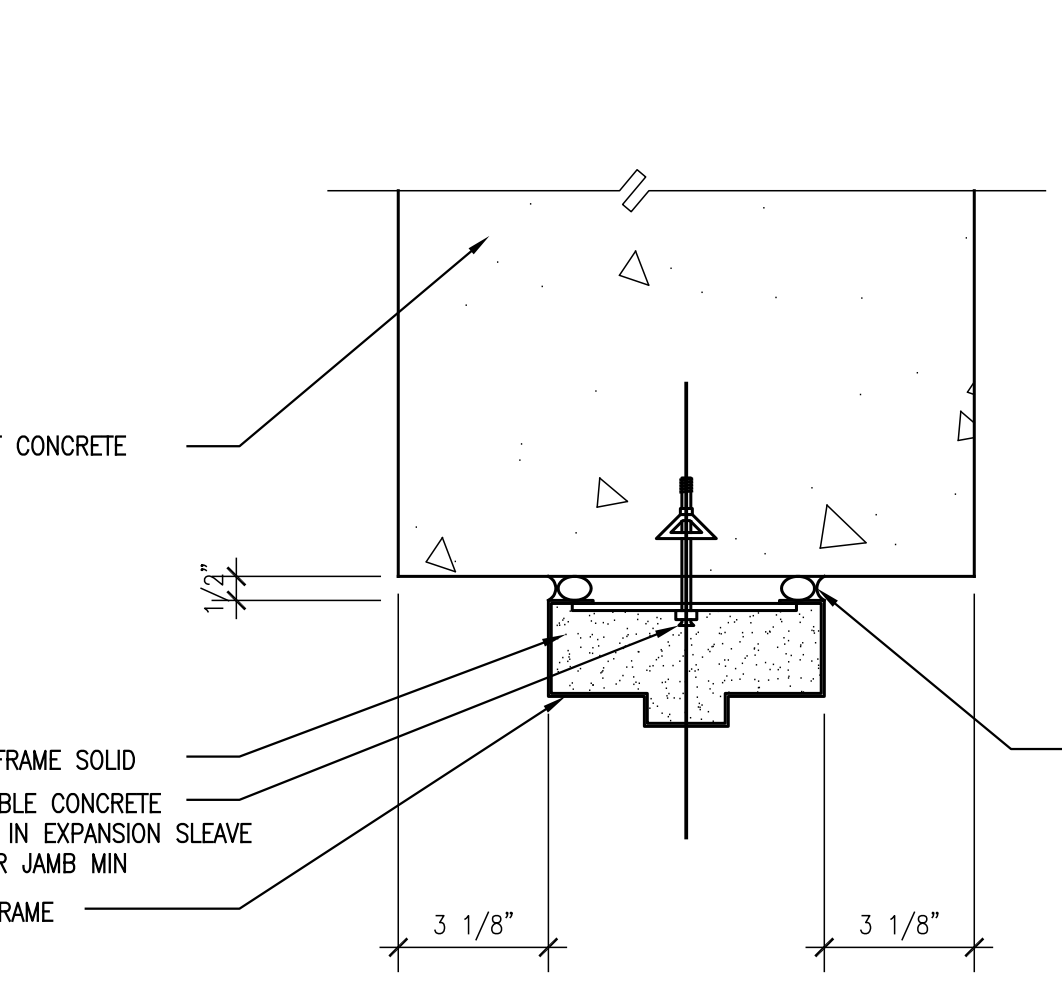
SECTION THRU HEAD



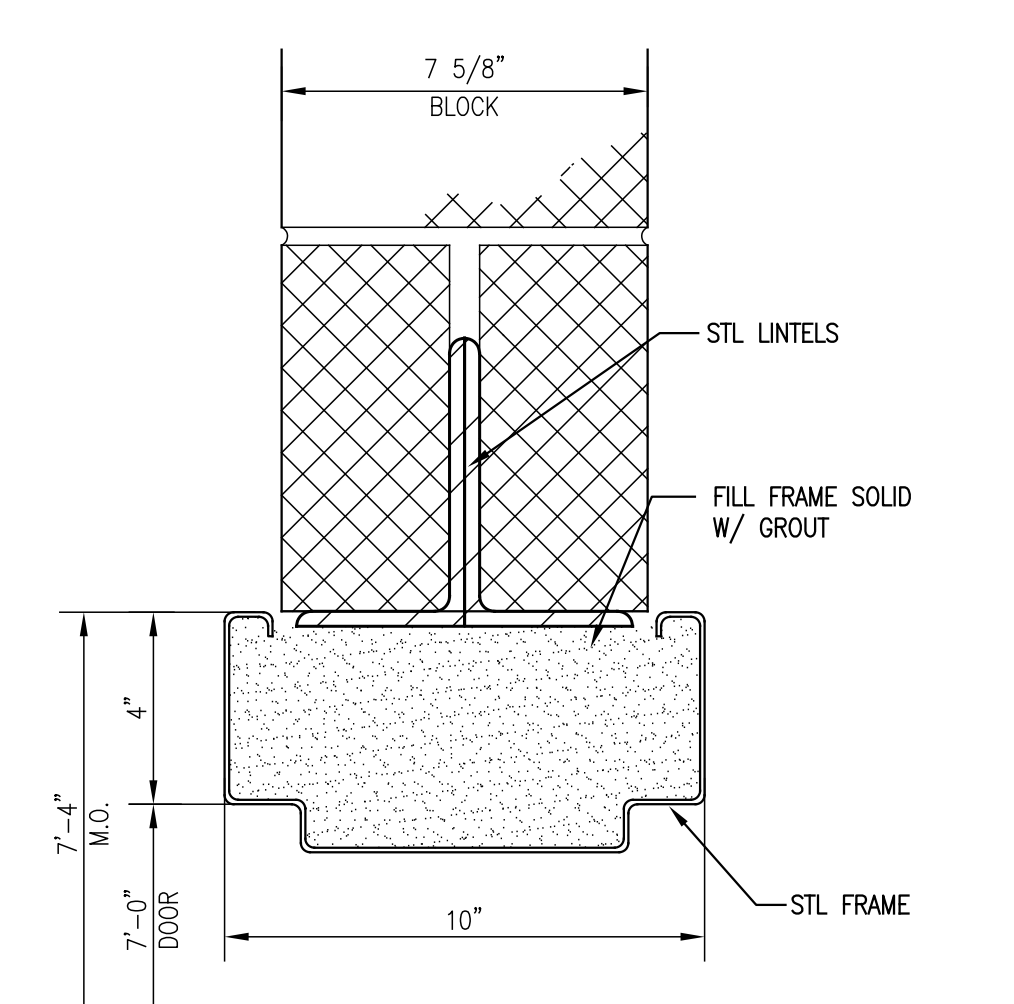
SECTION THRU JAMB



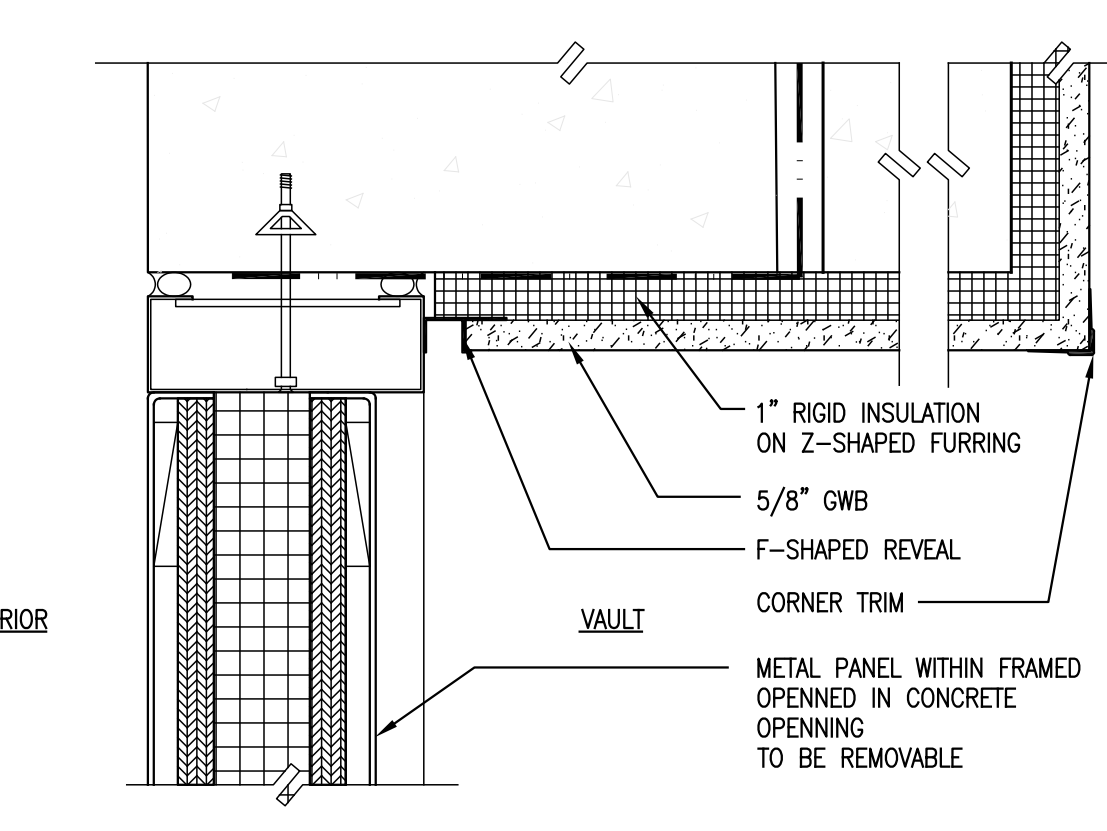
OPPOSITE SWING DOORS WITH OFFSET STOPS
SCALE 3" = 1'-0"



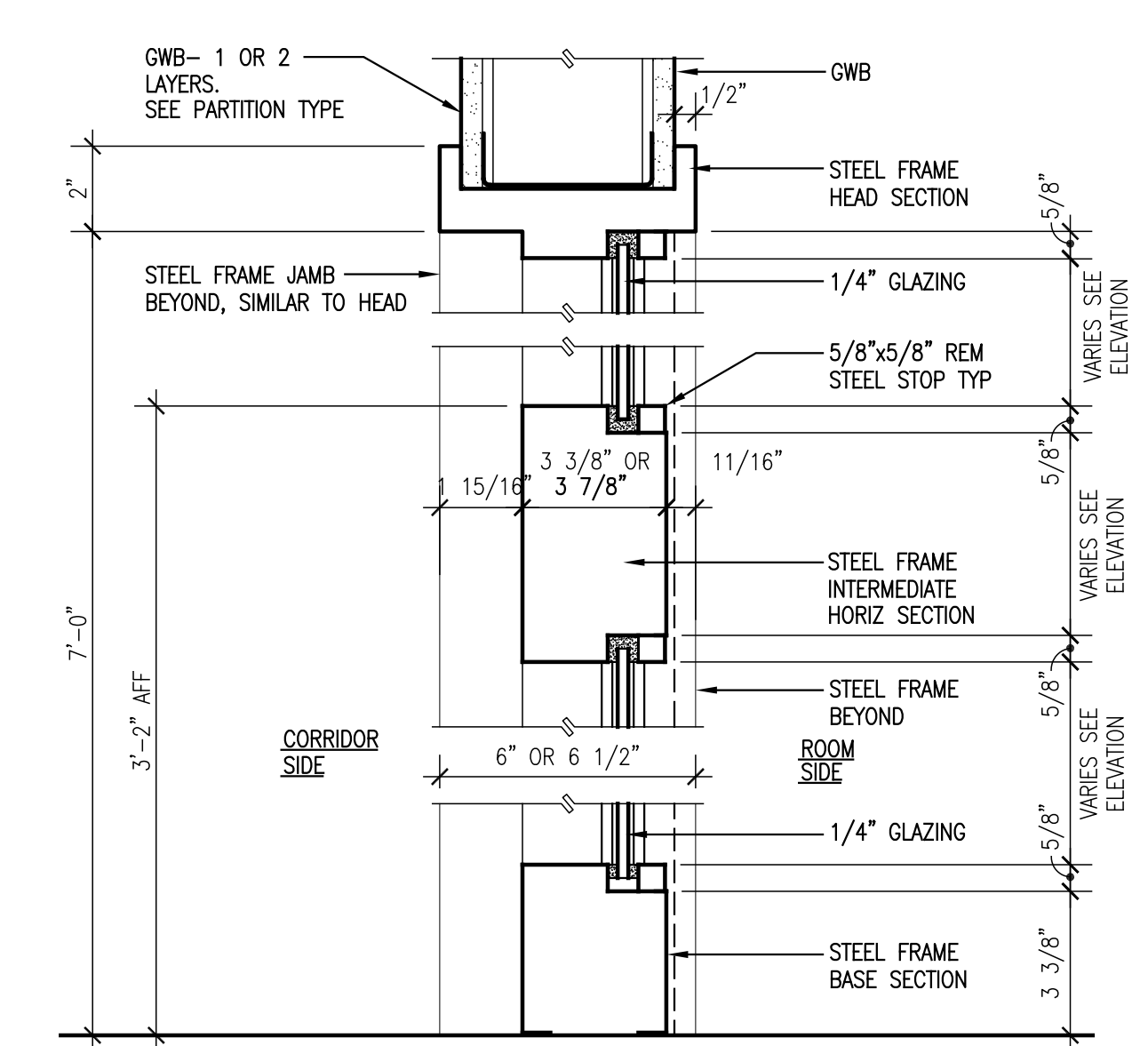
E4 HEAD DETAIL AT DOOR FRAME
SCALE 3" = 1'-0"



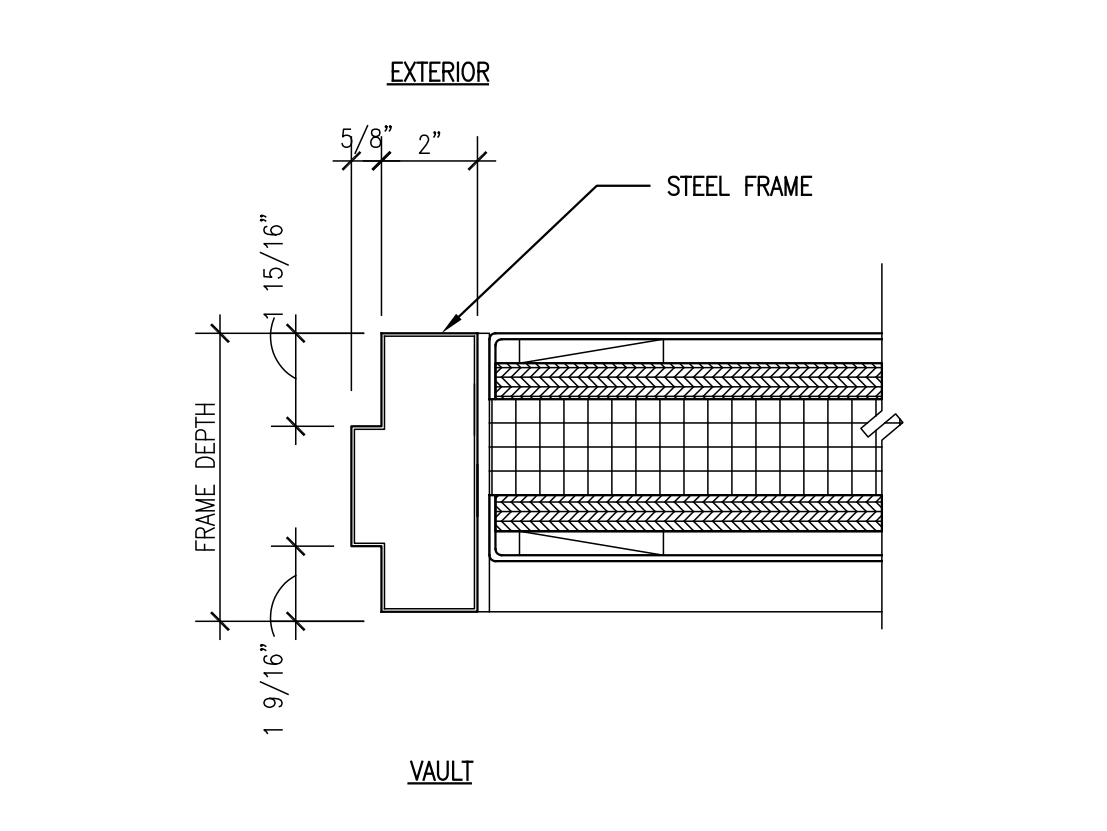
F4 HEAD DETAIL AT DOOR FRAME IN MASONRY PRTN
SCALE 3" = 1'-0"



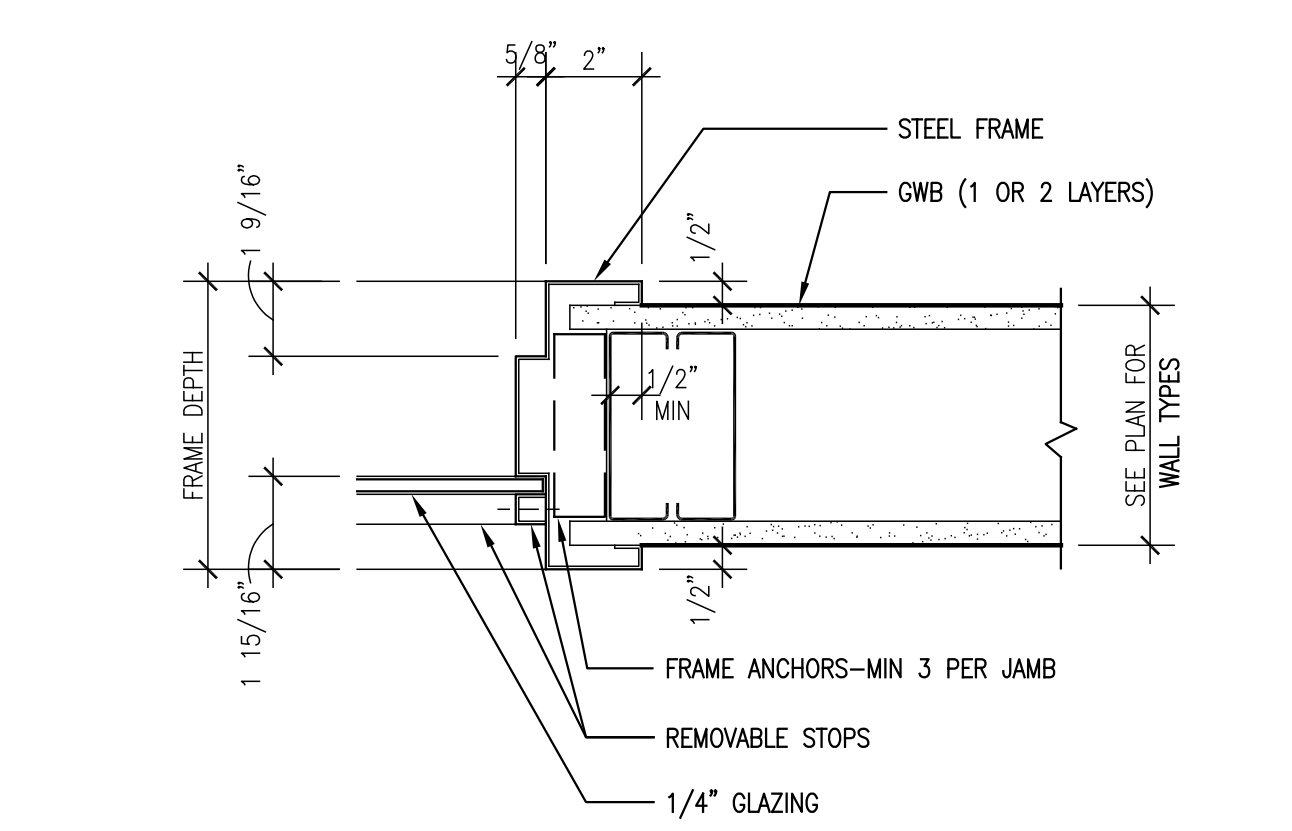
A4 HEAD DETAIL AT REMOVABLE PANEL
SCALE 3" = 1'-0"



B4 VIEW WINDOW - TYPE "C"
SCALE 3" = 1'-0"



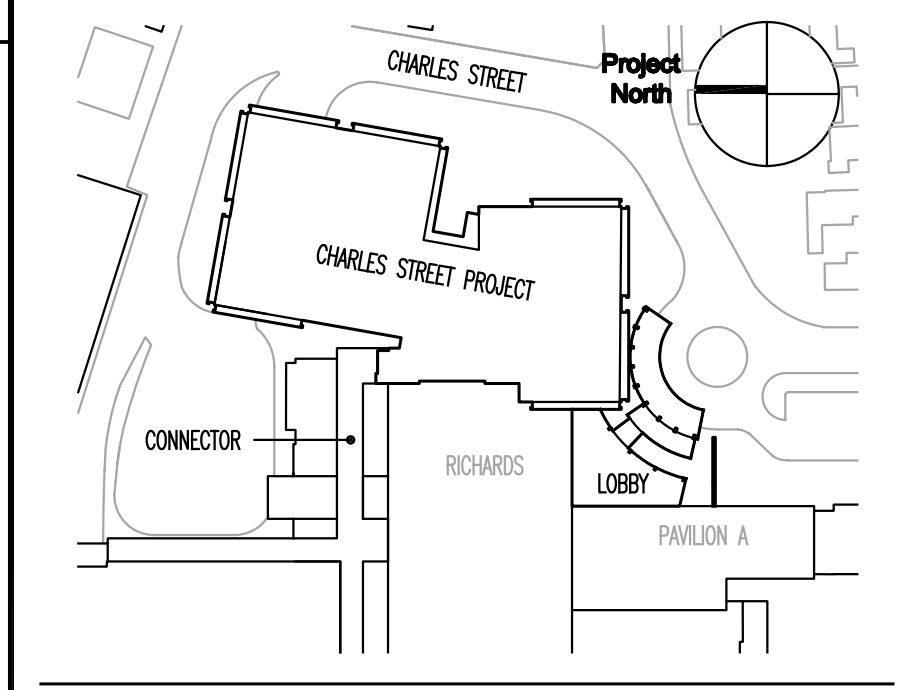
A5 JAMB DETAIL BETWEEN DOOR & METAL PANEL
SCALE 3" = 1'-0"



B5 JAMB DETAIL AT VIEW WINDOW
SCALE 3" = 1'-0"

FOR PERMIT ONLY
NOT FOR CONSTRUCTION

ISSUE DATE: 09/24/04
PERMIT SET - NOT FOR CONSTRUCTION



TRO
ARCHITECTURE
PLANNING
ENGINEERING
INTERIOR DESIGN

The Ritchie Organization
80 Bridge Street
Newton, MA 02459-1194
617-552-9100

Maine Medical Center
Charles Street Project
Portland, Maine MMC Project No. 21841

Drawing Title
DOOR DETAILS

Commission No.	4673	Date Issued	
Scale	AS NOTED	Sheet Number	
Drawn By	BJS		
Approved By	AW		
Filename	4673AS31.dwg		
Copyright	© 2004 The Ritchie Organization		

A531