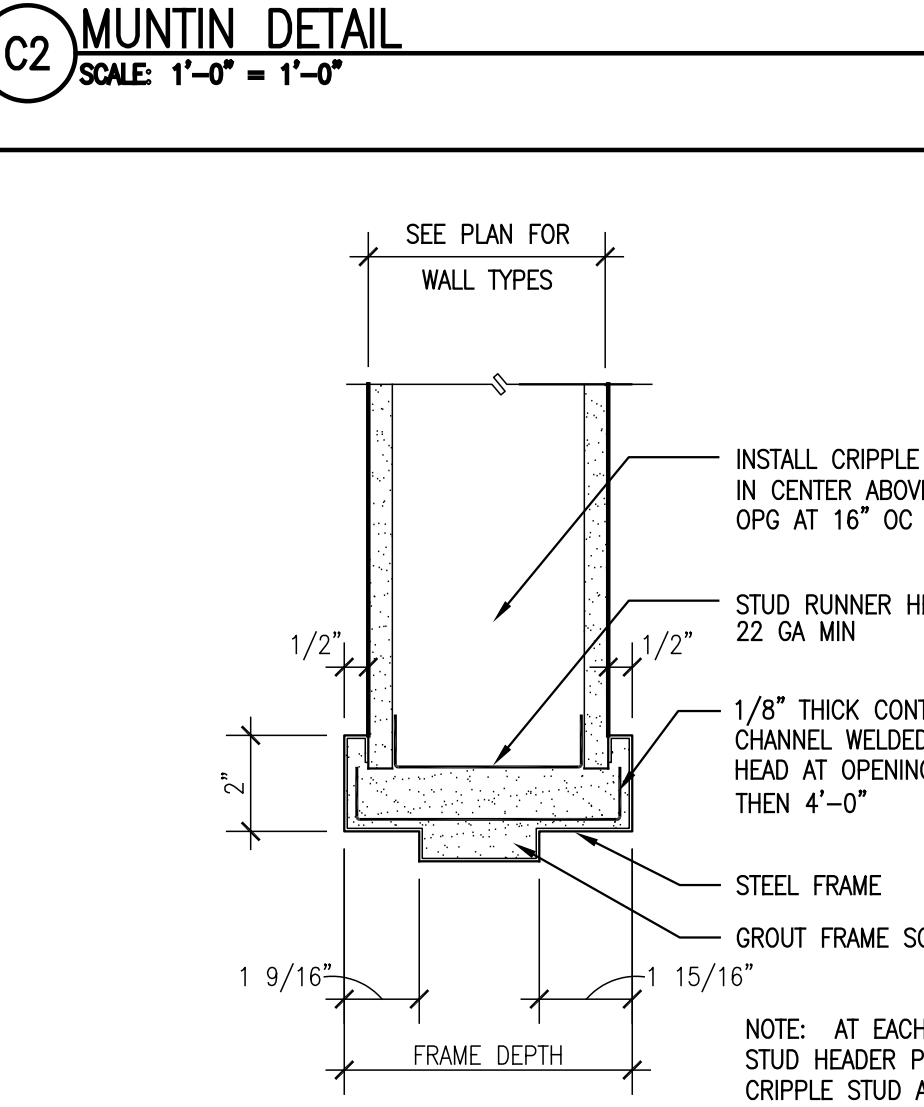
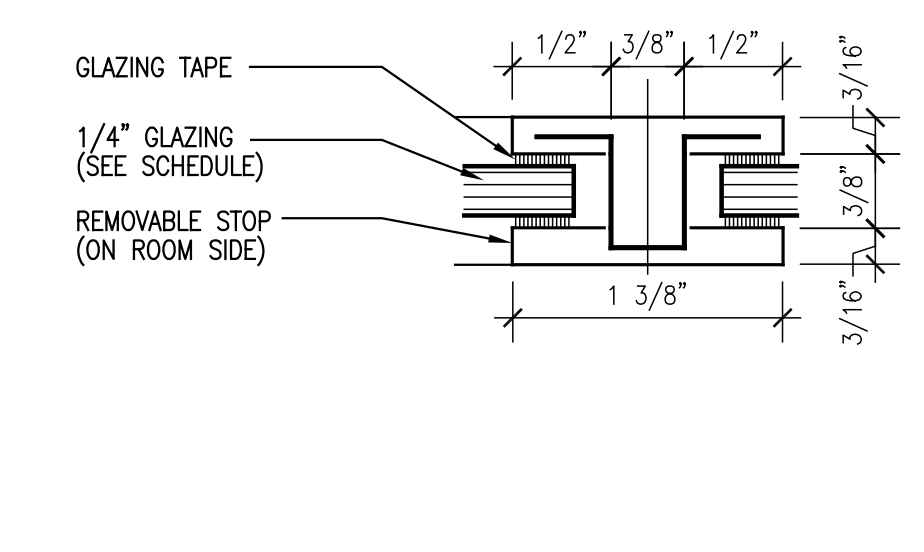


B3 DOORS WITH OFFSET STOPS
SCALE: 3/8" = 1'-0"

B4 JAMB DETAIL AT CASED OPENING (HEAD SIM.)
SCALE: 3/8" = 1'-0"

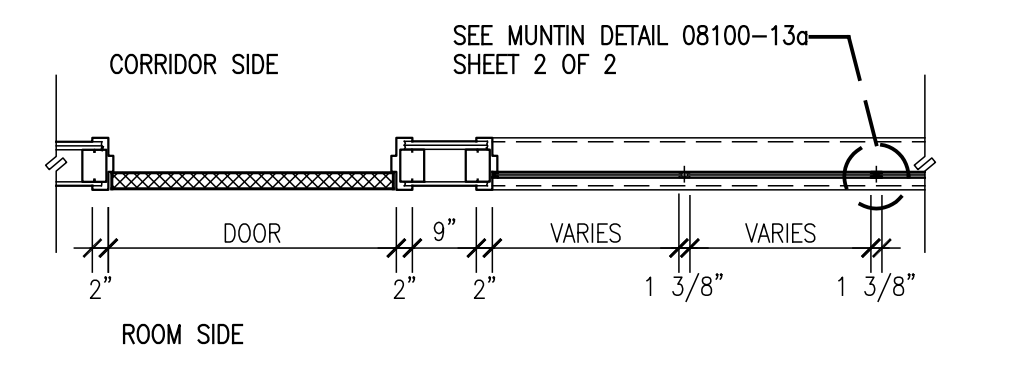
B5 JAMB DETAIL AT SIDE LIGHT
SCALE: 3/8" = 1'-0"



C2 MUNTIN DETAIL
SCALE: 1/2" = 1'-0"

C3 HEAD DETAIL AT DOOR FRAME IN GWB PRNT
SCALE: 3/8" = 1'-0"

C5 JAMB DETAIL AT VIEW WINDOW
SCALE: 3/8" = 1'-0"

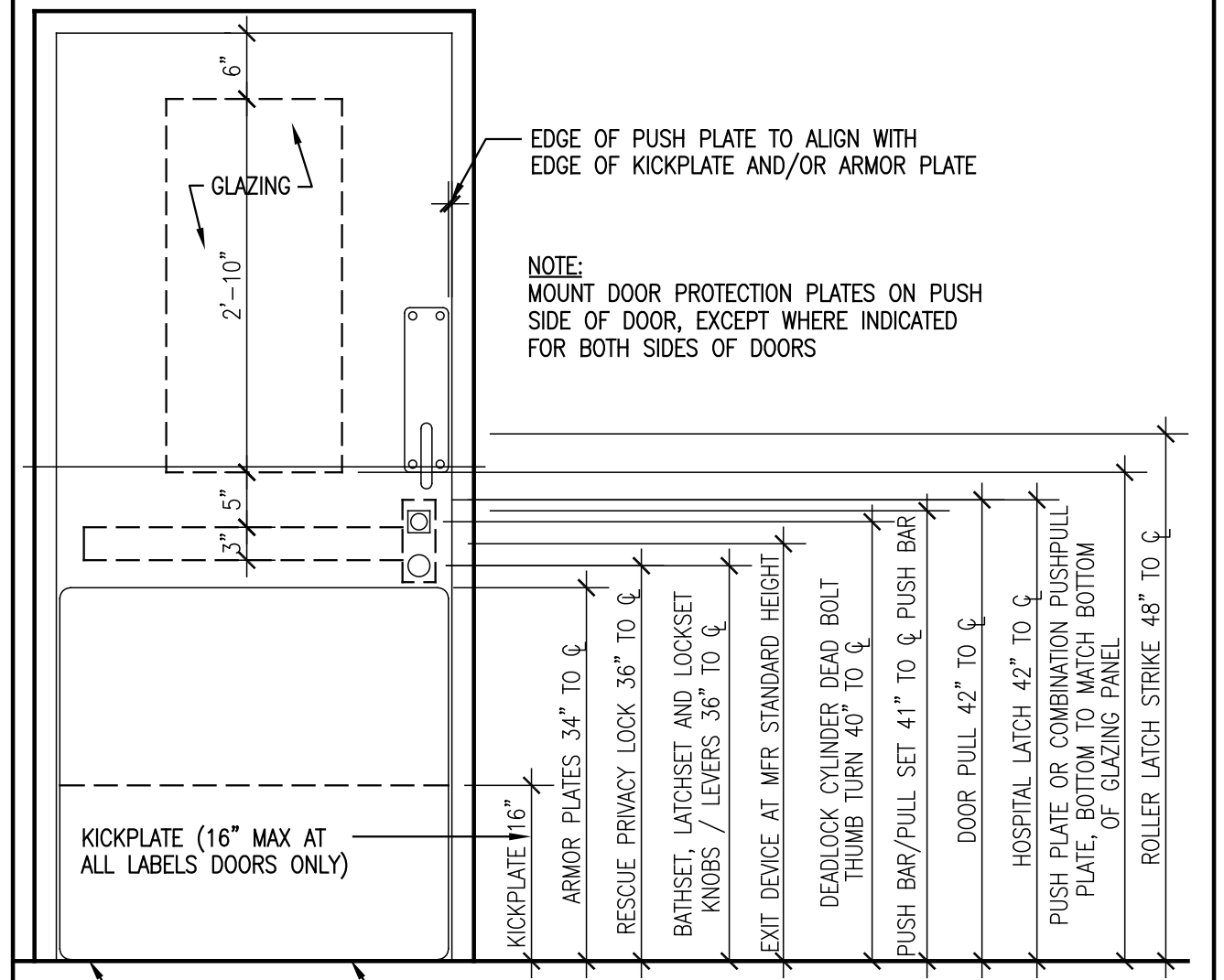


D2 VIEW WINDOW DETAILS
SCALE: 1/2" = 1'-0"

D3 HEAD DETAIL AT DOOR FRAME IN MASONRY PRNT
SCALE: 3/8" = 1'-0"

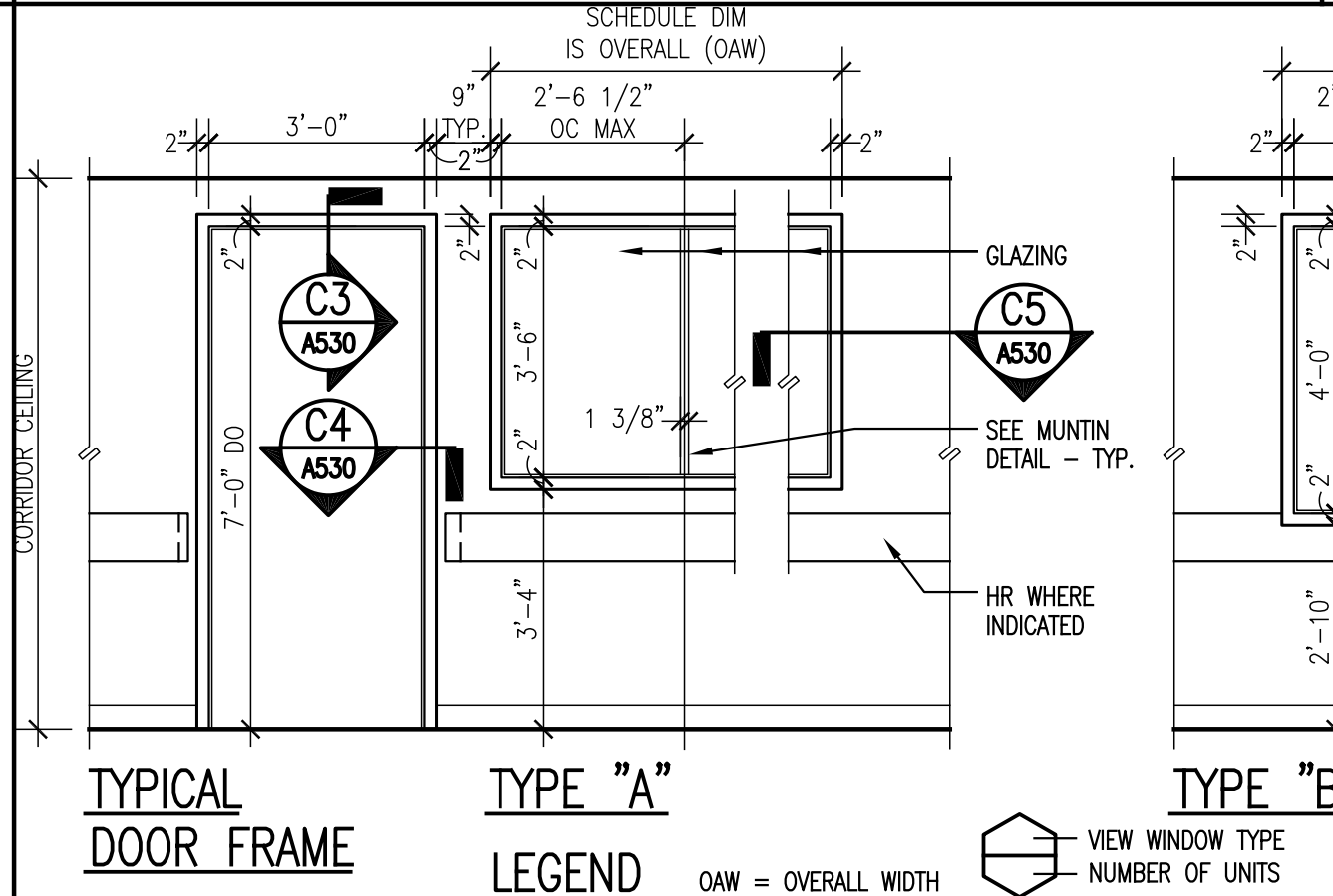
D4 JAMB DETAIL AT DOOR FRAME
SCALE: 3/8" = 1'-0"

D5 JAMB DETAIL AT SIDE LIGHT OR VIEW WINDOW
SCALE: 3/8" = 1'-0"



E2 TYP. HARDWARE DOOR MOUNTING HEIGHTS
SCALE: 3/8" = 1'-0"

E3 TYPICAL STEEL DRYWALL FRAME SIZES
SCALE: 3/8" = 1'-0"



E4 VIEW WINDOW - TYPE "C"
SCALE: 3/8" = 1'-0"

E5 VIEW WINDOW LEGEND AND SCHEDULE
SCALE: 3/8" = 1'-0"

DOOR SCHEDULE					
MARK	SIZE	REMARKS	MARK	SIZE	REMARKS
A	4'-0" X 7'-0"				
P	5'-0" X 7'-0"	PAIR			
D	3'-0" X 7'-0"	PAIR			
S	7'-6" X 7'-0"	PAIR - OPPOSITE SWING			
T	7'-6" X 7'-0"	PAIR			
U	8'-0" X 7'-0"	PAIR			
V	5'-0" X 7'-0"				
W	4'-7 1/2" X 7'-0"				
X	2'-8" X 7'-0"	2 PANEL	Y	2'-8" X 7'-0"	3 PANEL
Z	2'-2" X 7'-0"	4 PANEL			
FM	4'-8" X 7'-0"	PAIR			
FN	3'-0 1/2" X 7'-0"	PAIR - UNEQUAL LEAF			
			FM	FIELD MEASURE	

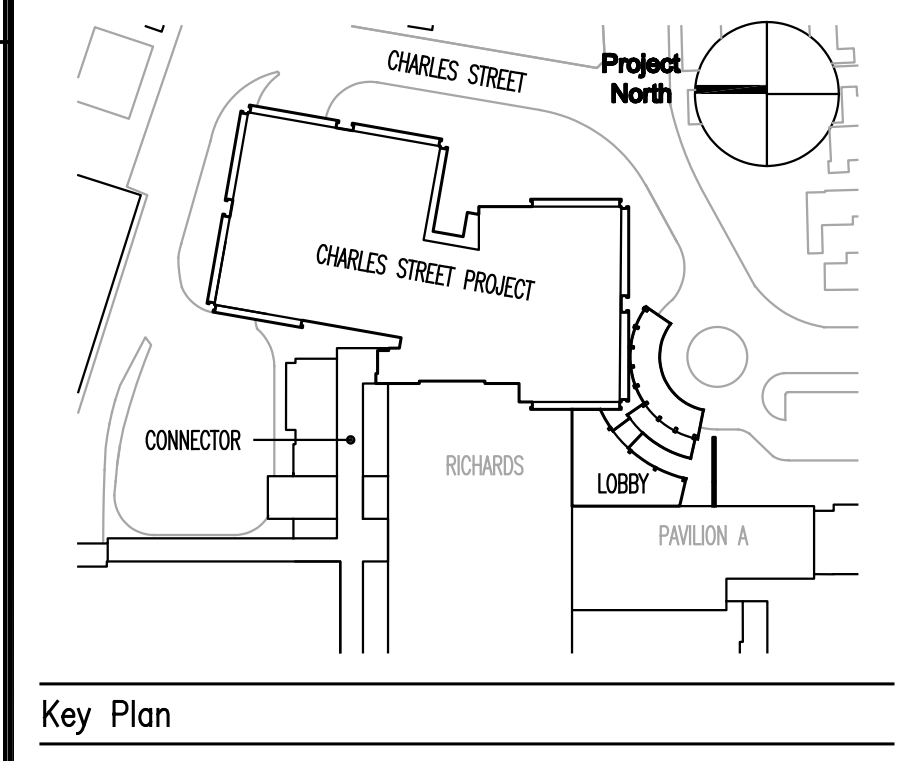
SCHEDULE OF MATERIAL DESIGNATIONS	EXAMPLE OF DOOR TAG ANNOTATION
LETTER SIZE + 1 WOOD	
LETTER SIZE + 2 HOLLOW METAL	
LETTER SIZE + 3 ALUM. FRAMED GLASS	
LETTER SIZE + 4 WOOD FOLDING	
LETTER SIZE + 5 FABRIC FOLDING	
LETTER SIZE + 6 AUTOMATIC SLIDING BREAK-OUT DOOR	
LETTER SIZE + 7 MANUAL SLIDING BREAK-OUT DOOR	

DOOR TYPE SCHEDULE			
FLUSH PANEL	HALF GLAZED	NARROWLINE GLAZED	FULL GLAZED
NOTE: GLASS DIMENSIONS ARE CLEAR OF STOPS CLASS 'B' CLASS 'B'			

SUBSCRIPT ABBREVIATIONS	GENERAL NOTES
B - KNURLED KNOB OR PUSHPAR C.I.F. - CHANNEL IRON FRAME C.O. - CASED OPENING D - BUTCH DOOR D.A. - DOUBLE ACTING E.H. - ELECTRIC HOLD BACKS F - FOLDING DOOR FG - FULL GLAZED H - HOLLOW METAL I - INTERMEDIATE K - LEAD LINED L - GLASS M.T. - METAL THRESHOLD N - HOLLOW METAL O.W. - ONE WAY GLASS P - NARROWLINE GLAZED S - SMOKED GLASS SP - SPECIAL GLASS DOOR T - HALF GLAZED DOOR U - LEAD GLASS VIEW WINDOW W - WEATHERSTOP X - LIGHT PROOF Y - FLEXIBLE DOOR (SEE SPEC.) Z - SMOKE DOORS DP - DOOR PROTECTION PLATE NO. - SET NUMBER	1) ALL DOORS TO BE AS FOLLOWS: a) INTERIOR WOOD DOORS TO BE 1 3/4" UNLESS OTHERWISE NOTED. b) EXTERIOR/INTERIOR HOLLOW METAL DOORS TO BE 1 3/4" THICKNESS. 2) DOORS TO STAIRWAYS TO BE CLASS 'B' LABEL (1 1/2" HOUR FIRE RATING). 3) ACCESS DOORS IN SHWITS TO BE CLASS 'B' LABEL (1 1/2" HOUR FIRE RATING). 4) CLASS 'A' LABEL DOORS TO BE 3/4" HOUR FIRE RATING. 5) CLASS 'C' LABEL DOORS TO BE 3/4" HOUR FIRE RATING. 6) ALL GLASS IN PARTITIONS TO BE CLEAR WIRE GLASS OR TEMPERED GLASS AND SECURED WITH STEEL THRESHOLD. 7) TOTAL CLEAR WIRE GLASS AREA IN 'B' LABEL DOORS SHALL NOT EXCEED 100 SQ. IN. PER LEAF. 8) PROVIDE INTERIOR OR 1 1/2" X 1 1/2" FLAT BAR ASTRALGAL AT ALL DOUBLE LEAF WOOD CLASS 'B' LABEL & SMOKE DOORS. 9) ALL DOORS INDICATED TO BE CLASS 'A', 'B' OR 'C' SHALL BEAR THE UNDERWRITERS' LABORATORY LABEL. 10) IN ALL CASES WHERE DOORS HAVE A CLASS LABEL, THE DOOR FRAME SHALL ALSO HAVE THE SAME LABEL. 11) WHERE CHARPET OCCURS ADJUST DOORS FOR SIZE. 12) ALL DOORS IN SMOKE PARTITIONS WHERE VISION PANELS ARE INDICATED SHALL HAVE APPROVED TRANSPARENT WIRE GLASS NOT TO EXCEED 1296 SQ. IN. TOTAL AREA PER LEAF AND TO BE SECURED WITH APPROVED STOPS. * EXCEPT IF FRAME MFR. IS U.L. APPROVED FOR H.M. DOORS W/O ASTRALGAL. THIS DOOR COORDINATORS ARE NOT REQ'D.

F4 DOOR SCHEDULE
SCALE: NONE

FOR PERMIT ONLY
NOT FOR CONSTRUCTION



TRO ARCHITECTURE PLANNING ENGINEERING INTERIOR DESIGN
The Ritchie Organization
80 Bridge Street
Newtown, MA 02458-1196
817-999-9100

Maine Medical Center
Charles Street Project
Portland, Maine MMC Project No. 21841

DOOR SCHEDULE, VIEW WINDOW SCHEDULE, AND MISC DETAILS

Compilation No. 4673	Date Issued
Scale AS NOTED	Sheet Number
Drawn By J.V.	
Approved By T.M.	
Filename 4673AS30.dwg	
Copyright © 2004 The Ritchie Organization	A530