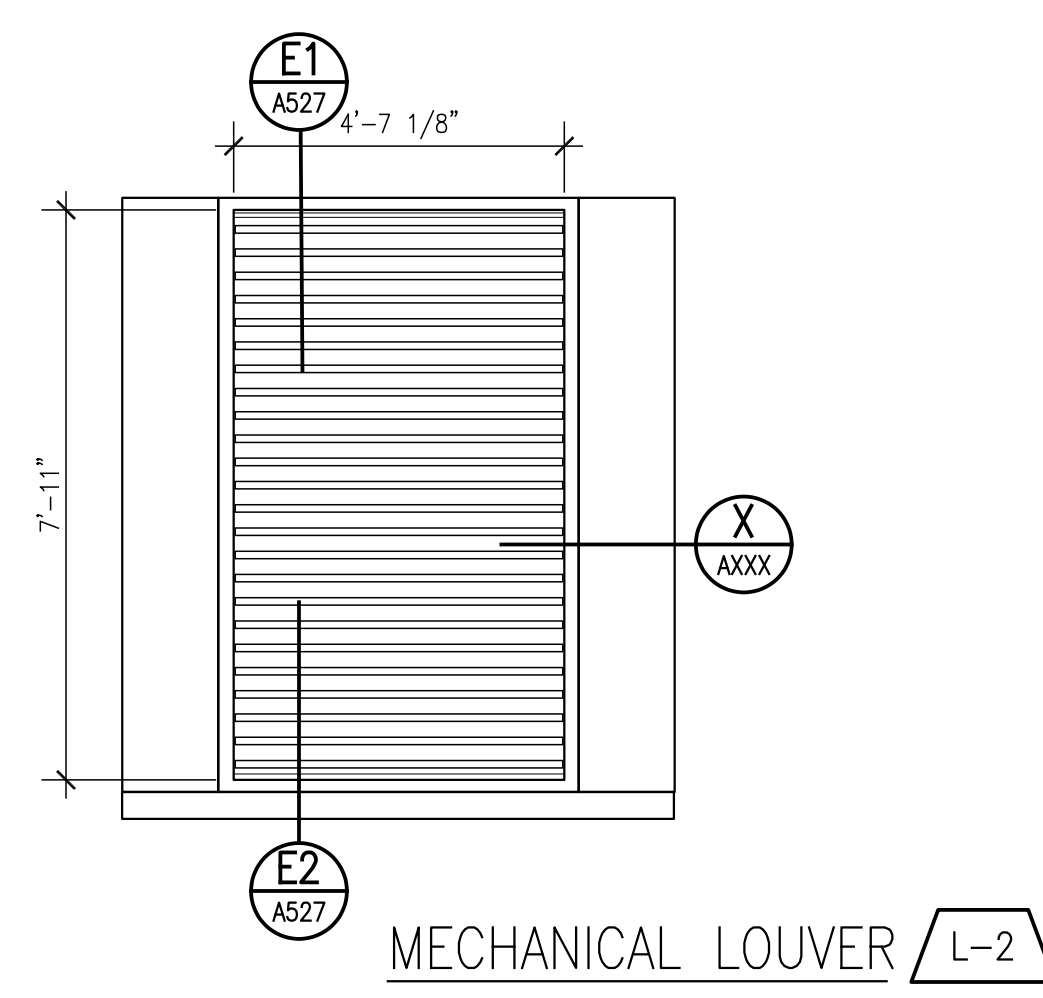
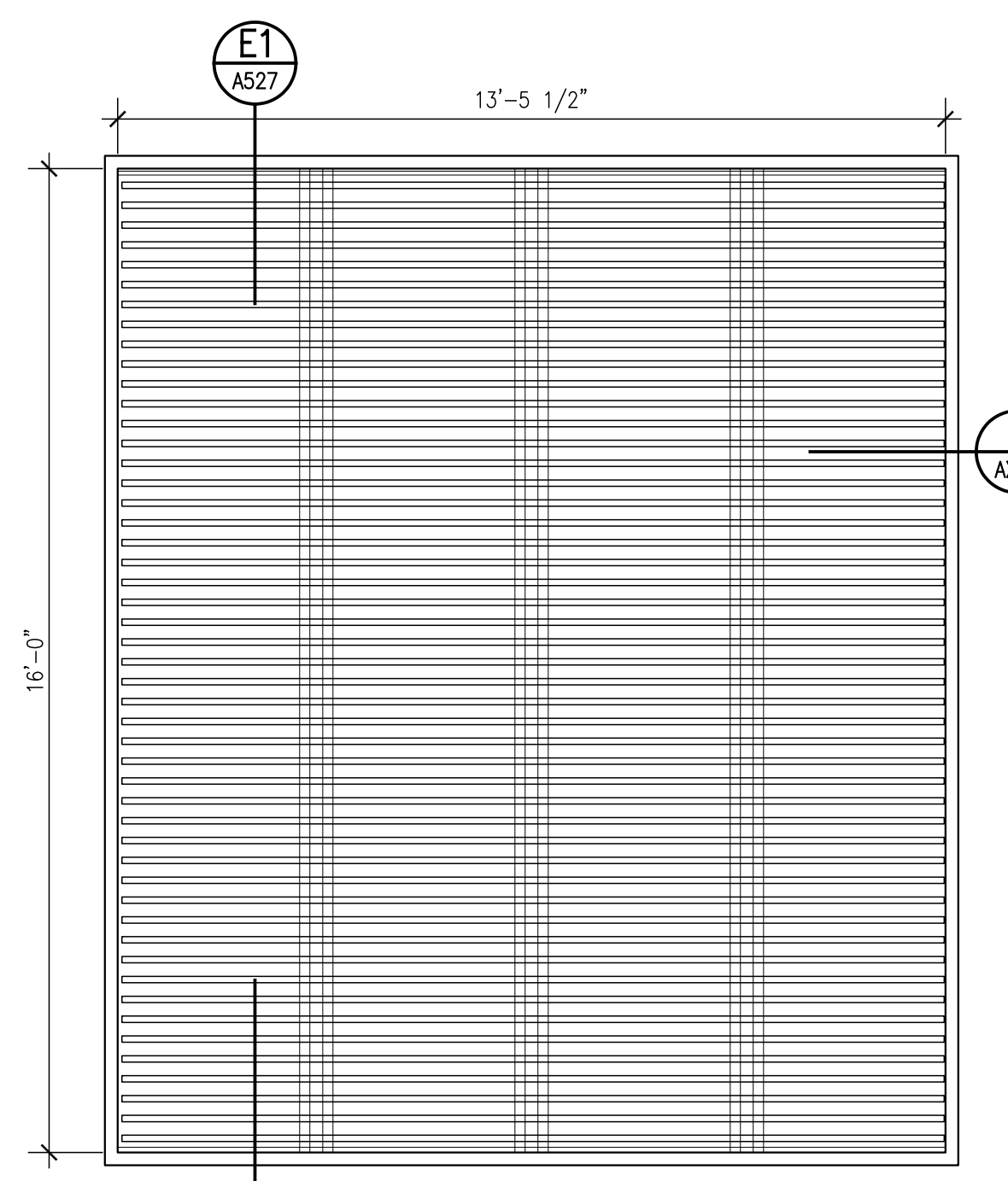


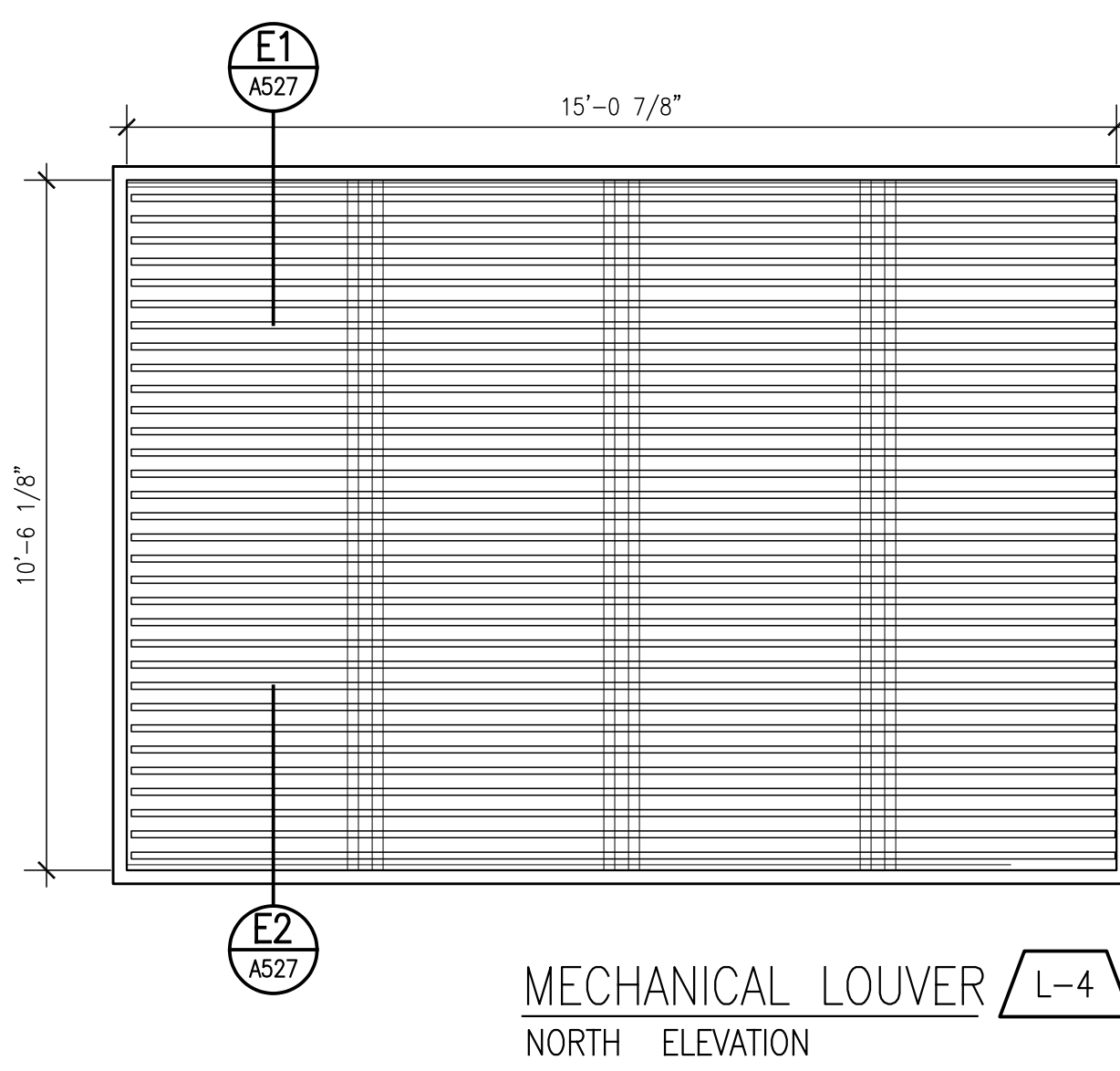
MECHANICAL LOUVER L-1



MECHANICAL LOUVER L-2



MECHANICAL LOUVER L-3
NORTH ELEVATION



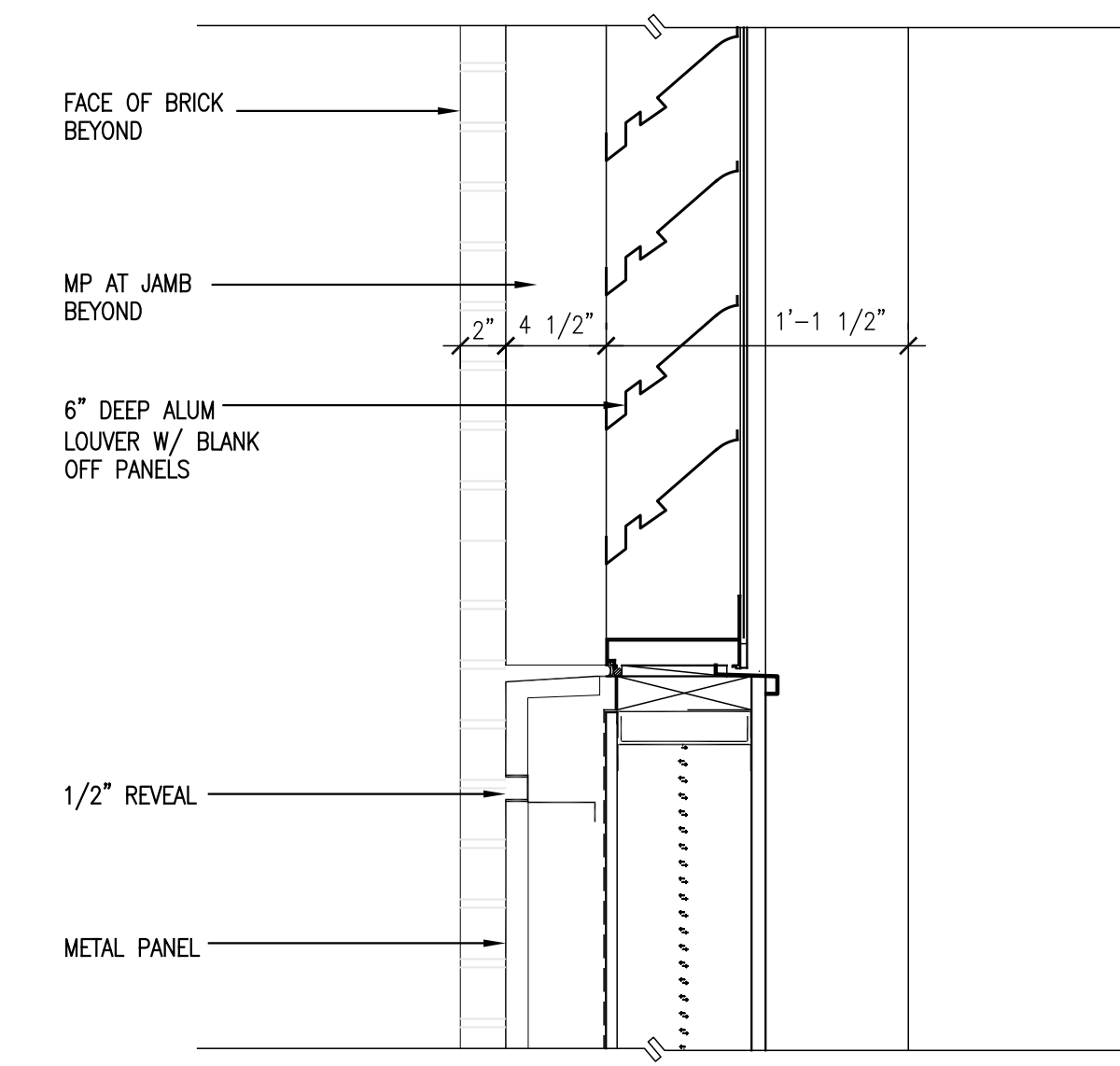
MECHANICAL LOUVER L-4
NORTH ELEVATION

B2 ALUMINUM LOUVER TYPES
SCALE: 3/8\"/>

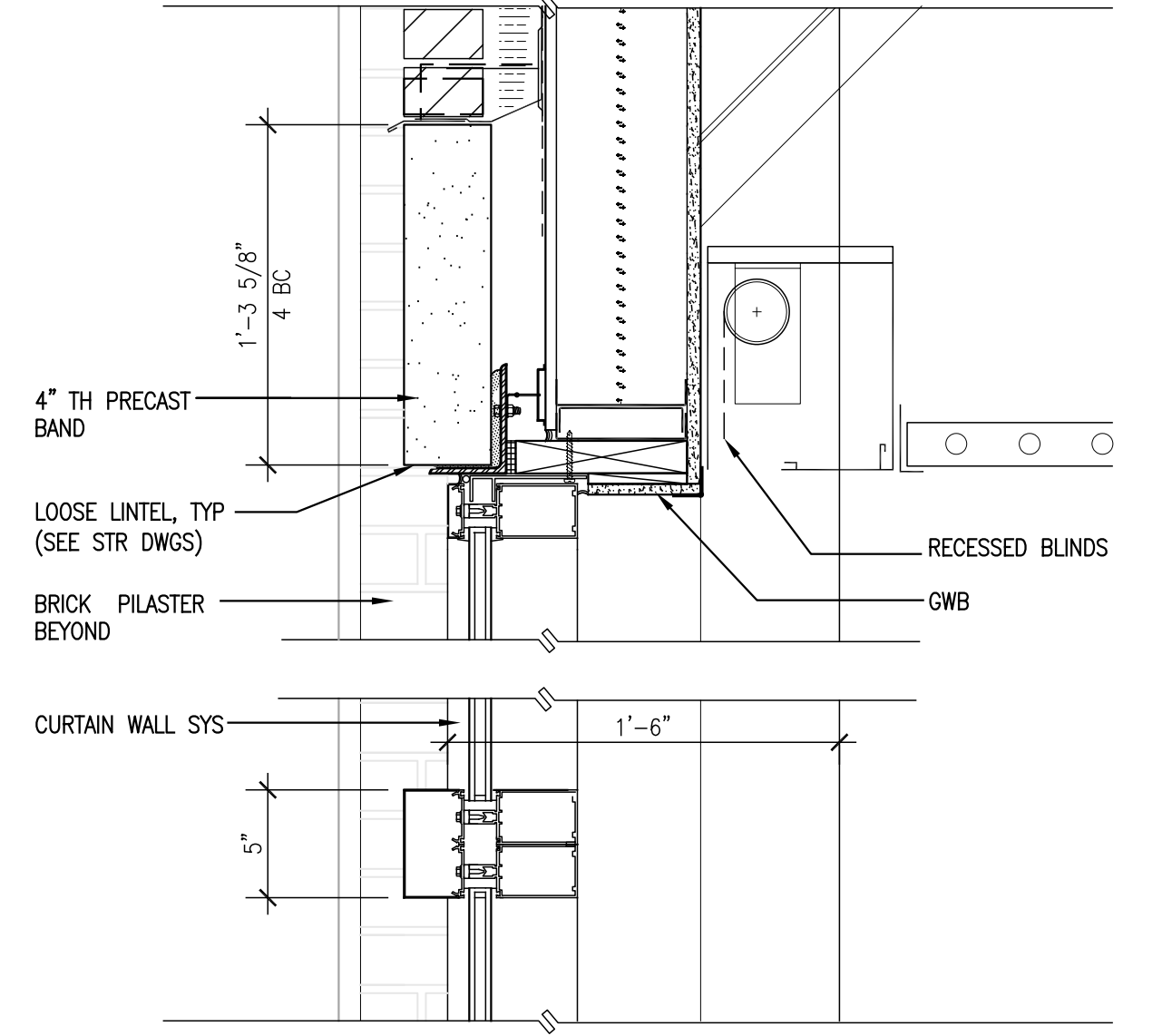
D1 STOREFRONT HEAD W/TRANSOM @ MTL PANEL
SCALE: 1 1/2\"/>

E1 SECTION HEAD @ ALUM LOUVER
SCALE: 1 1/2\"/>

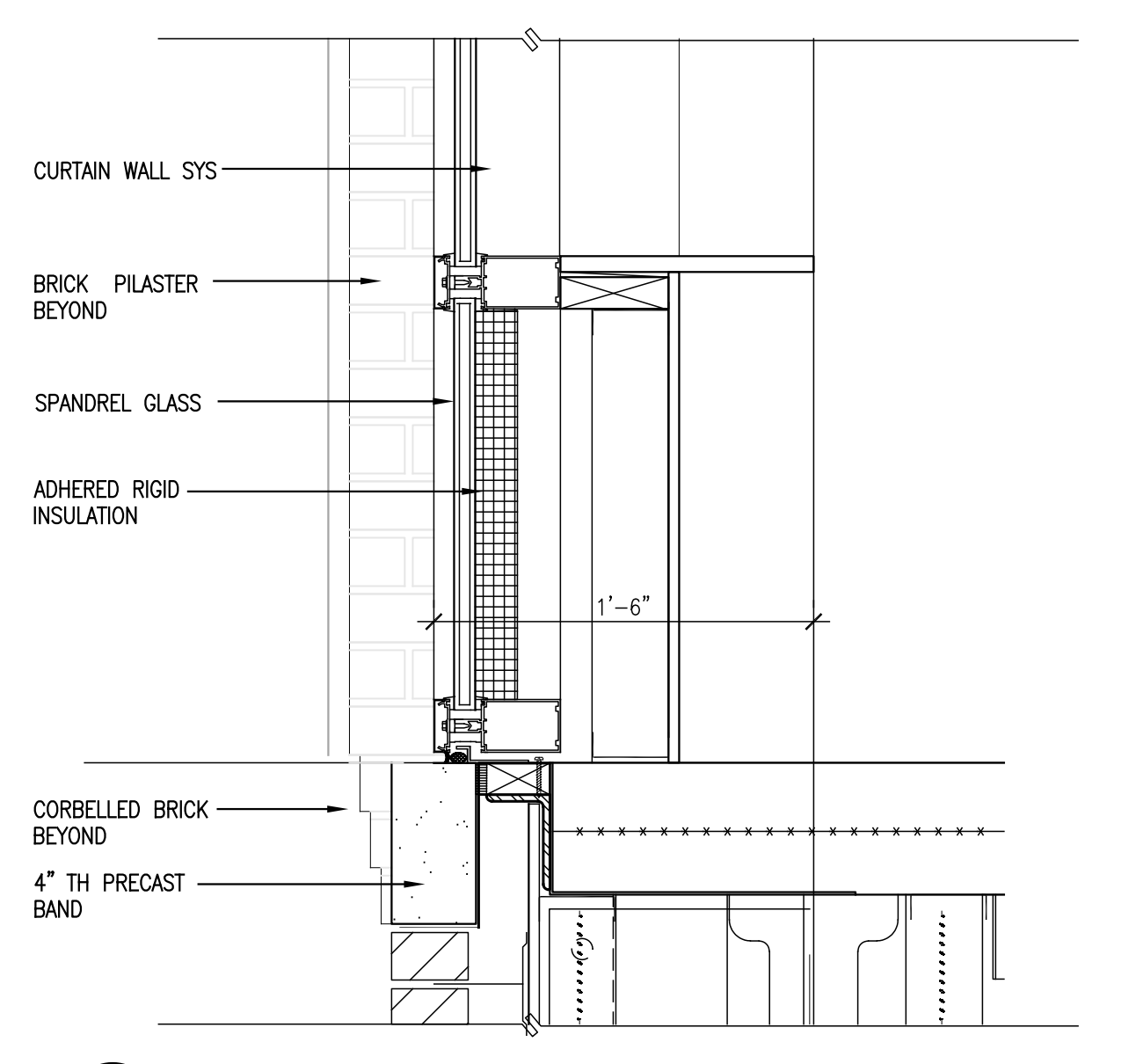
F1 SECTION HEAD & INTERMEDIATE MULLION DETAIL
SCALE: 1 1/2\"/>



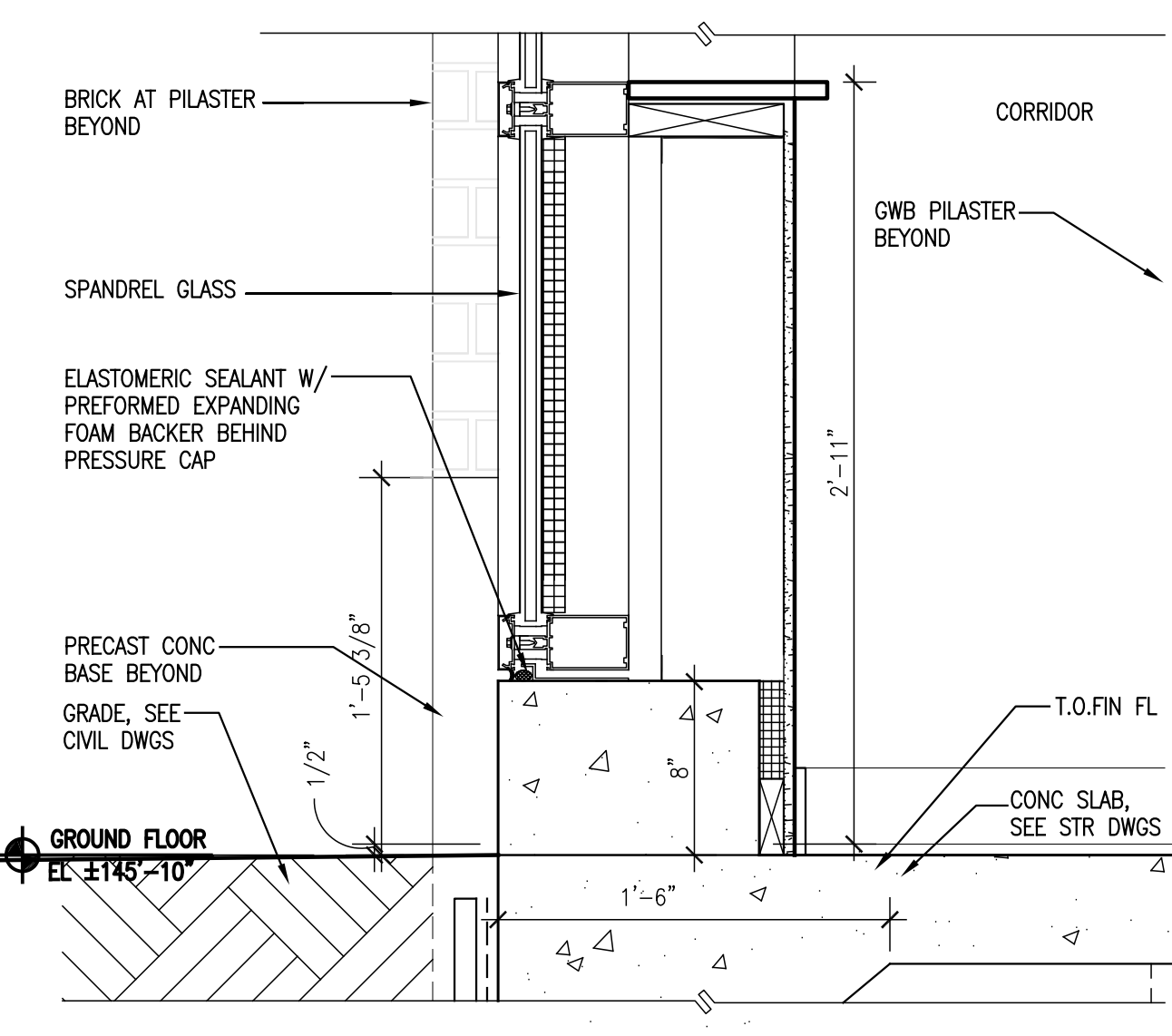
E2 SECTION SILL @ ALUM LOUVER
SCALE: 1 1/2\"/>



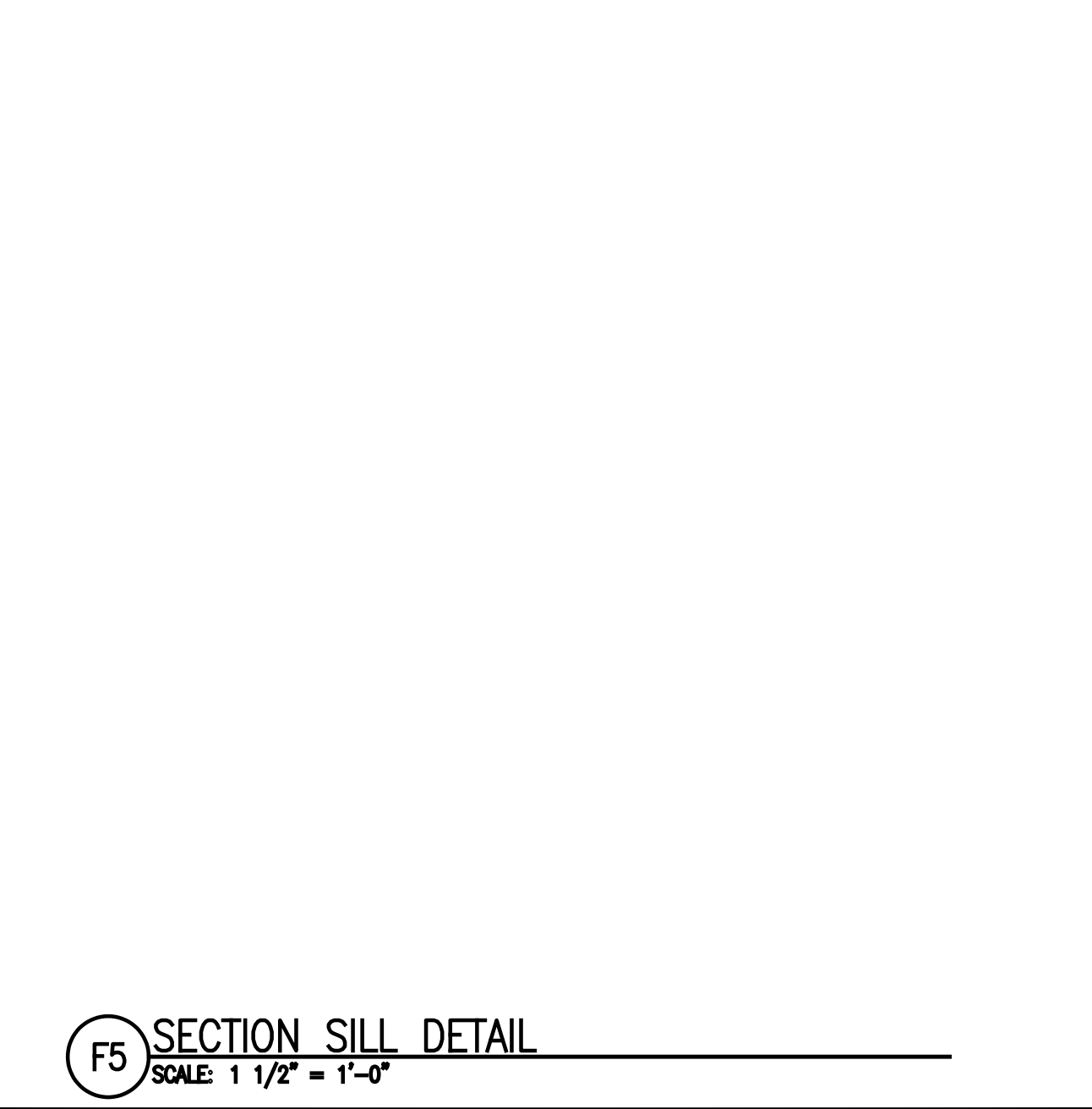
F2 SECTION HEAD & INTERMEDIATE MULLION DETAIL
SCALE: 1 1/2\"/>



F3 SECTION SILL DETAIL
SCALE: 1 1/2\"/>



F4 SECTION SILL DETAIL
SCALE: 1 1/2\"/>



F5 SECTION SILL DETAIL
SCALE: 1 1/2\"/>

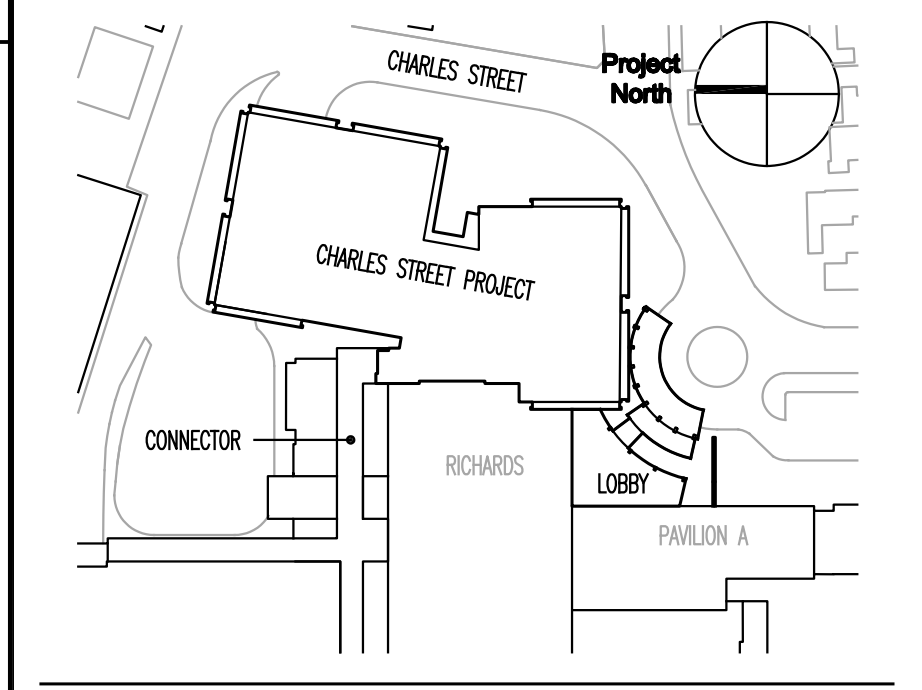
General Notes:

**FOR PERMIT ONLY
NOT FOR CONSTRUCTION**

MARK ISSUE DATE DESCRIPTION

PERMIT 09/24/04 PERMIT SET - NOT FOR CONSTRUCTION

Issue Log



Key Plan

TRO
ARCHITECTURE
PLANNING
ENGINEERING
INTERIOR DESIGN

The Ritchie Organization
80 Bridge Street
Newton, MA 02459-1156
617-552-9100

Maine Medical Center
Charles Street Project
Portland, Maine MMC Project No. 21841

Drawing Title
**WINDOW AND CURTAIN
WALL DETAILS**

Commission No.	4673	Date Issued	
Scale	AS NOTED	Sheet Number	
Drawn By		Checked By	
Approved By		File Name	4673AS27.dwg
Copyright © 2004	The Ritchie Organization		A527