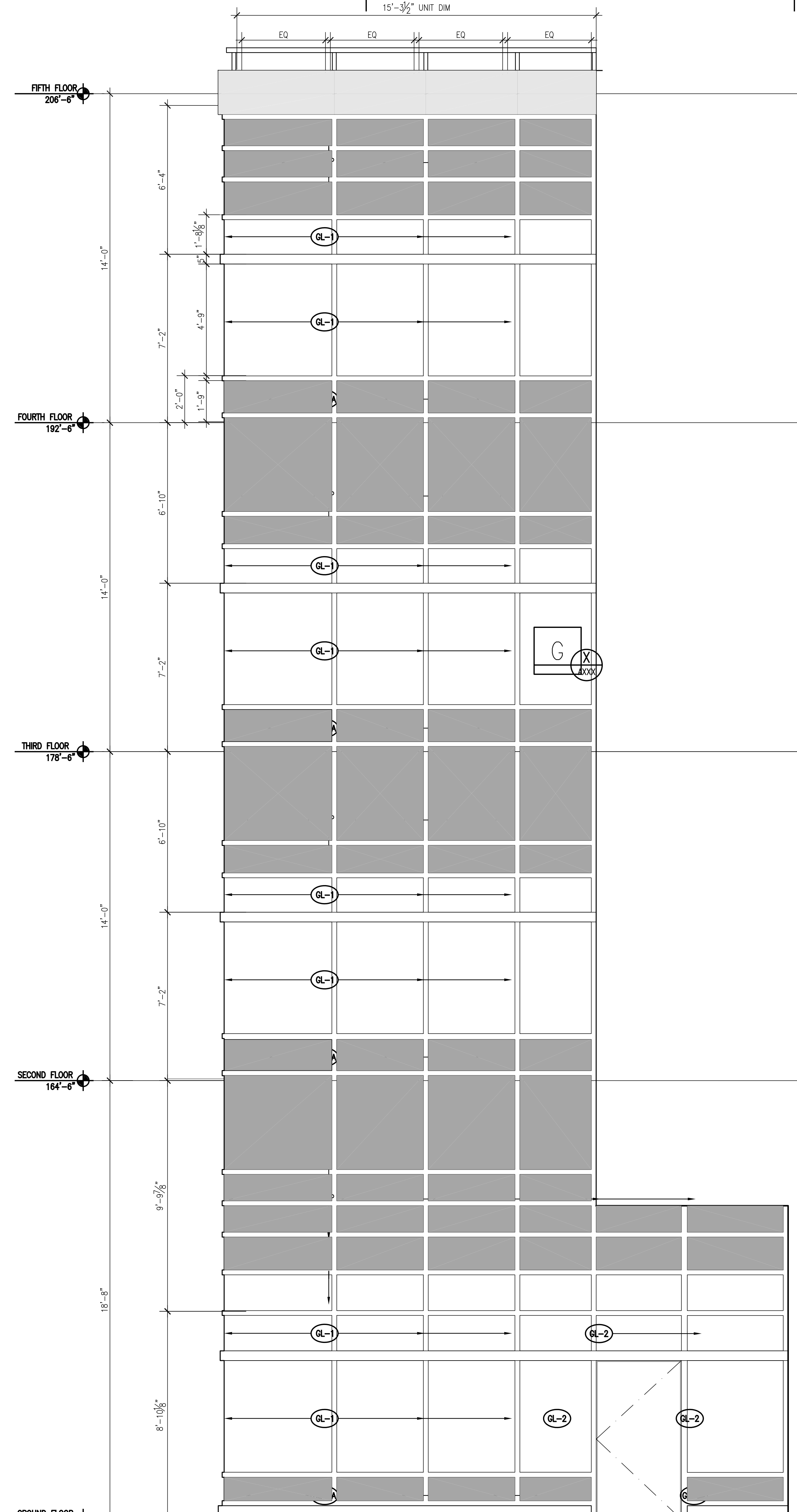
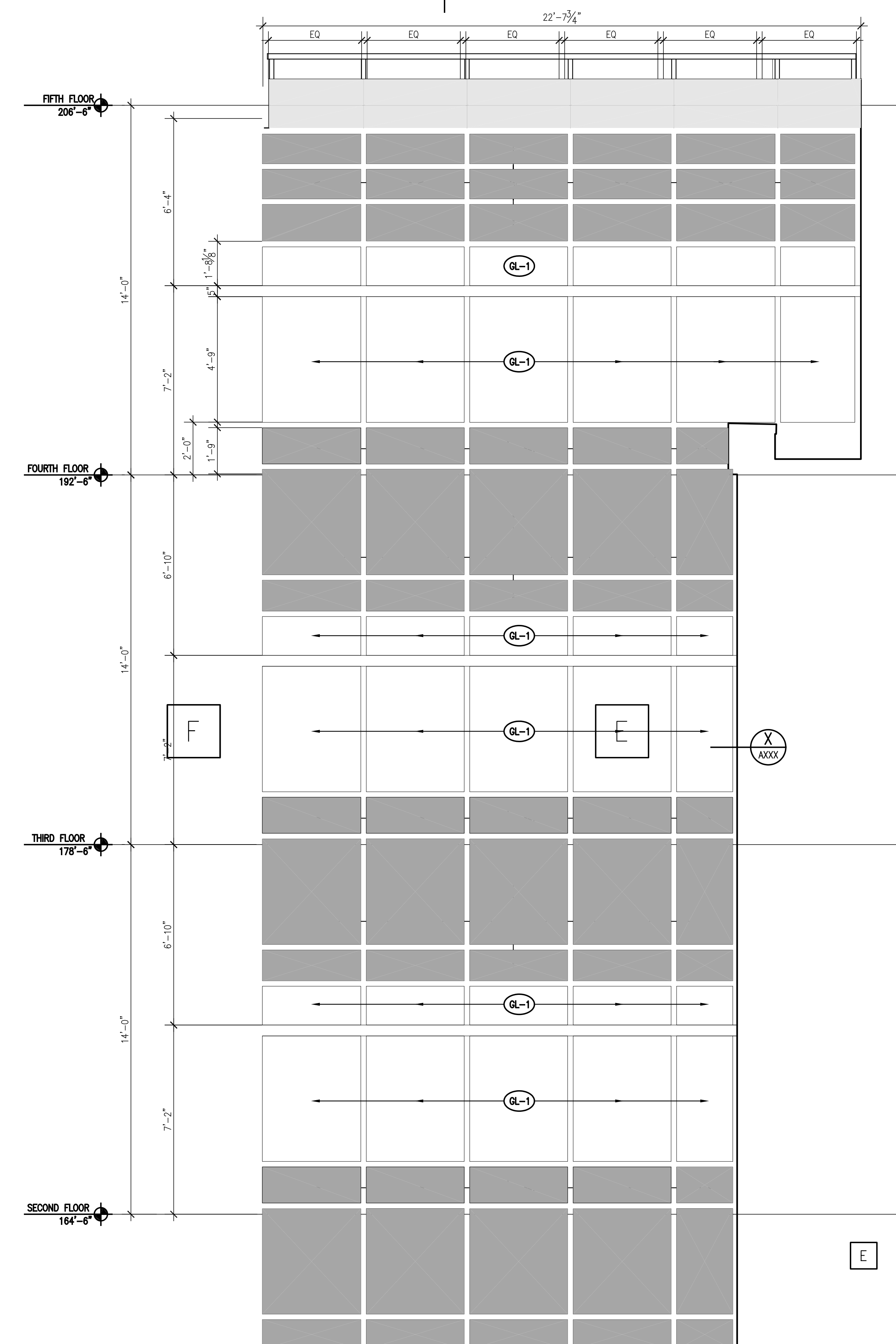


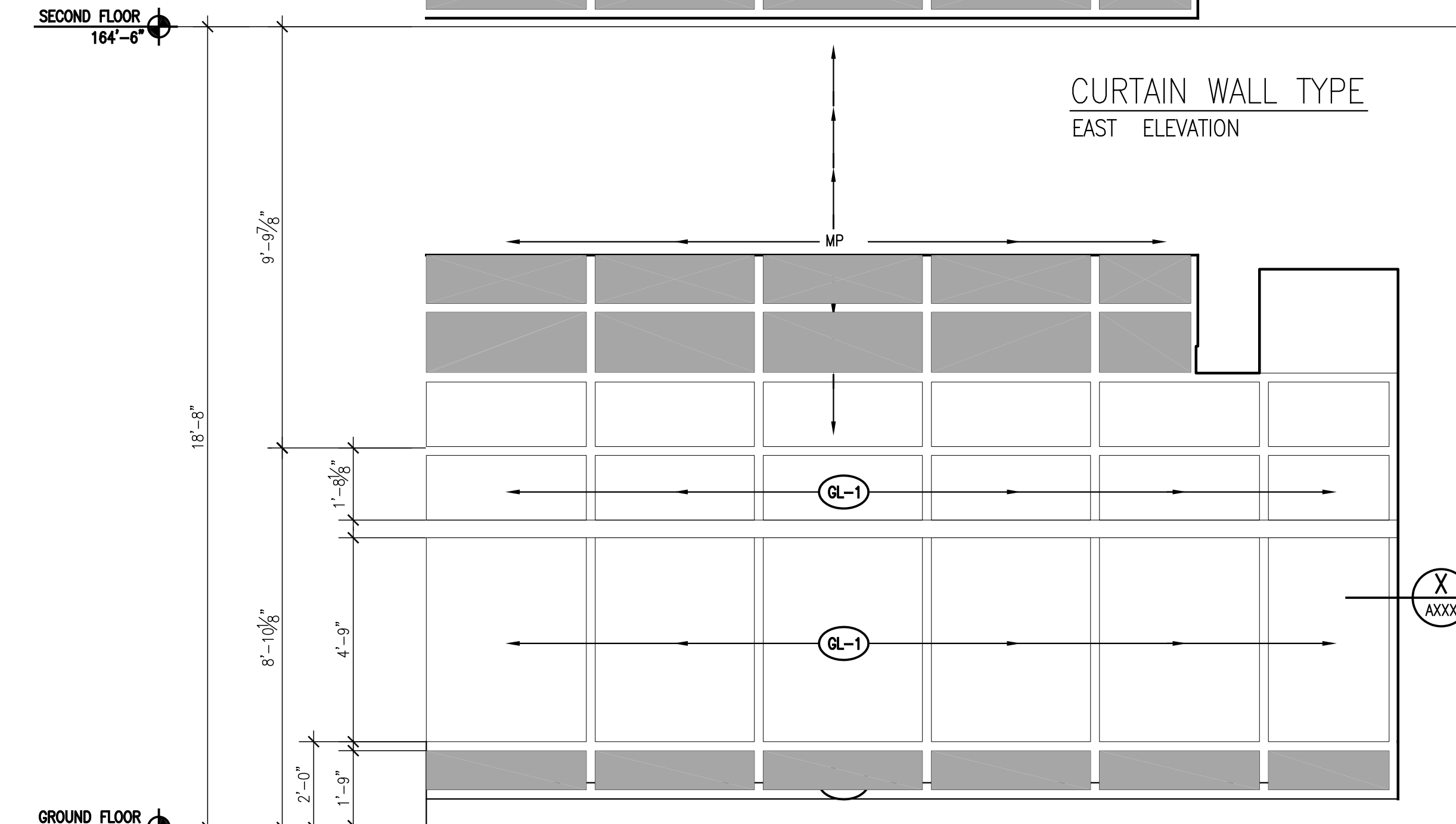
CURTAIN WALL TYPE H
EAST ELEVATION



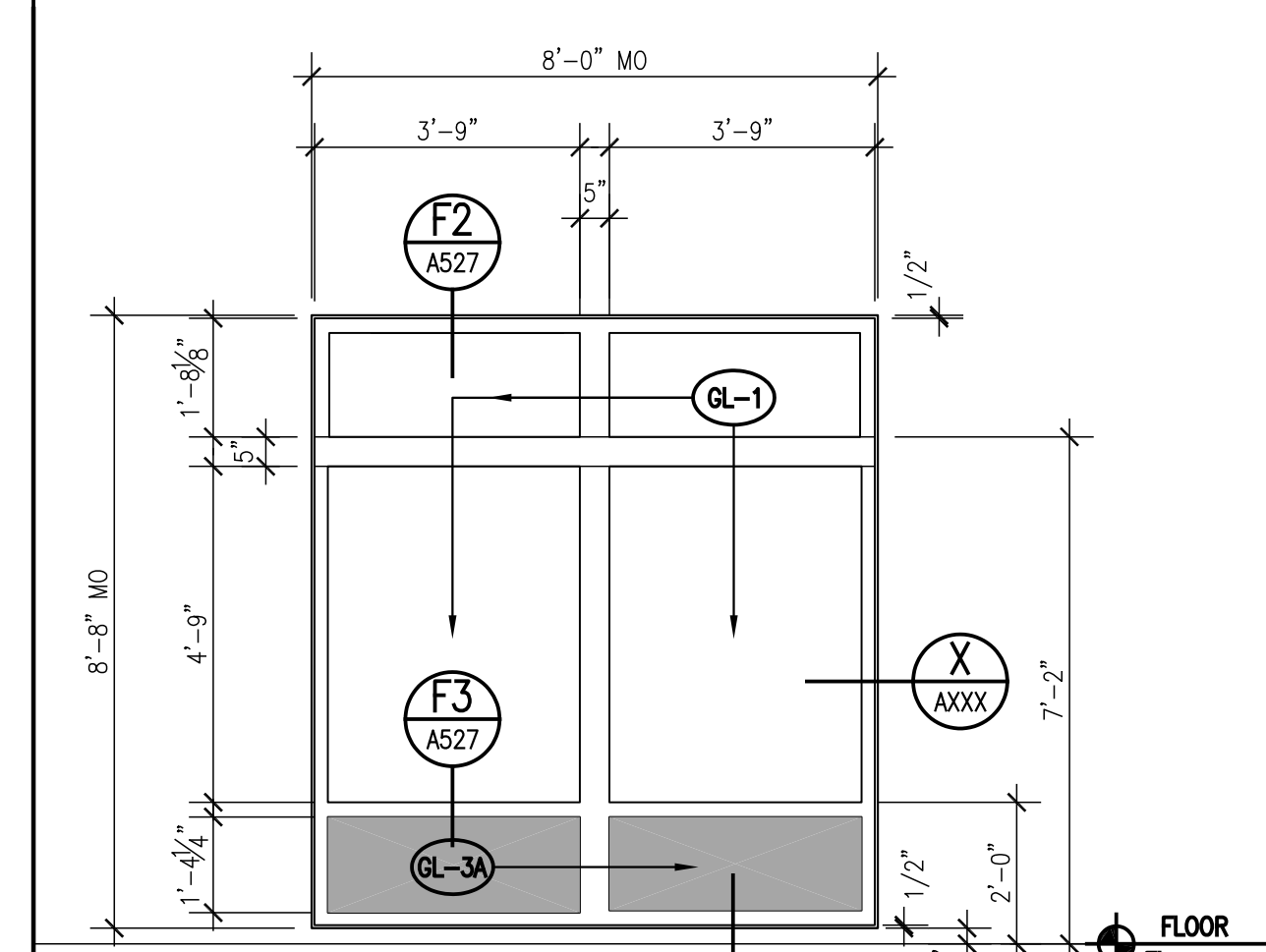
CURTAIN WALL TYPE G
NORTH ELEVATION



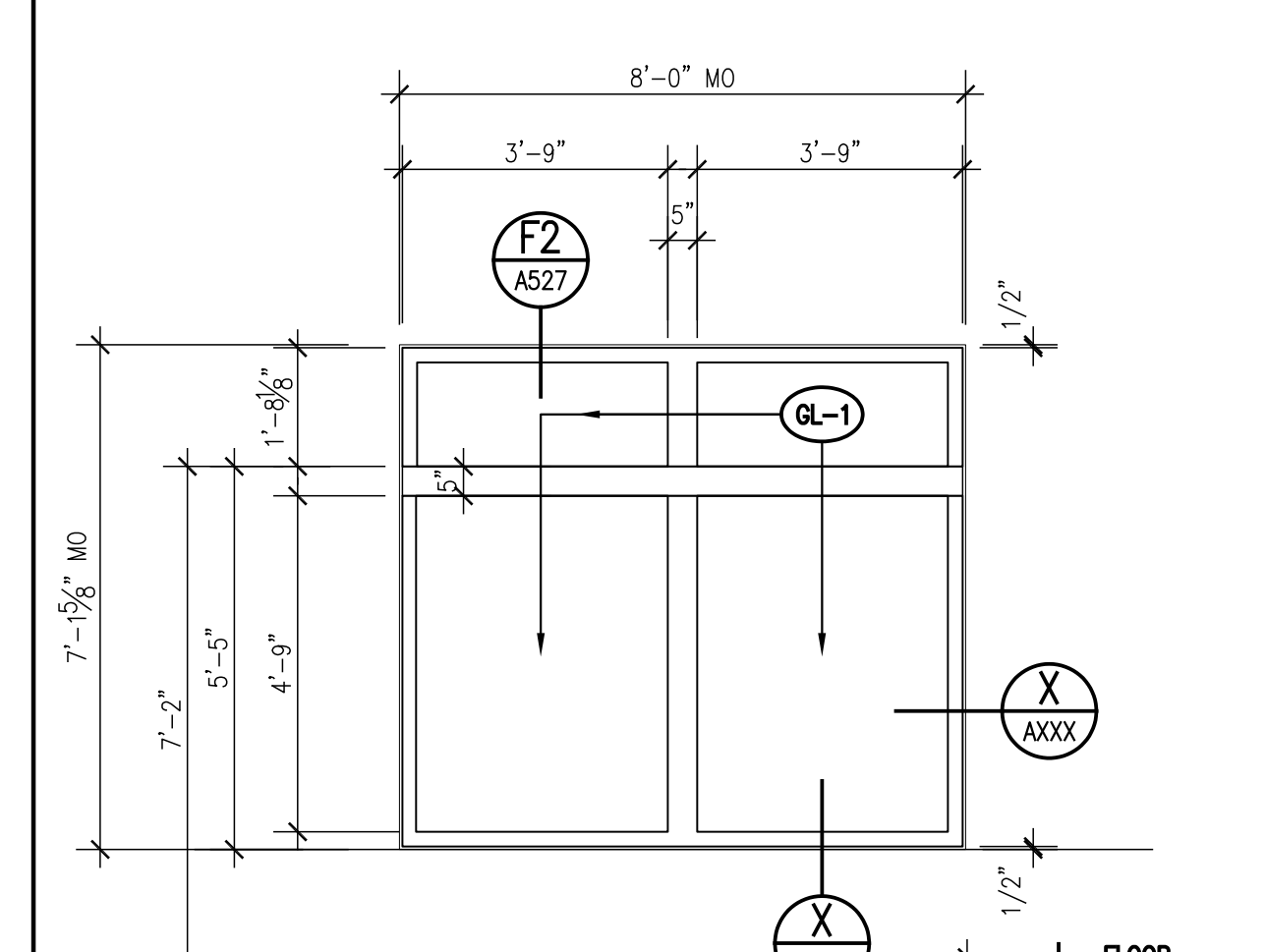
CURTAIN WALL TYPE F
EAST ELEVATION



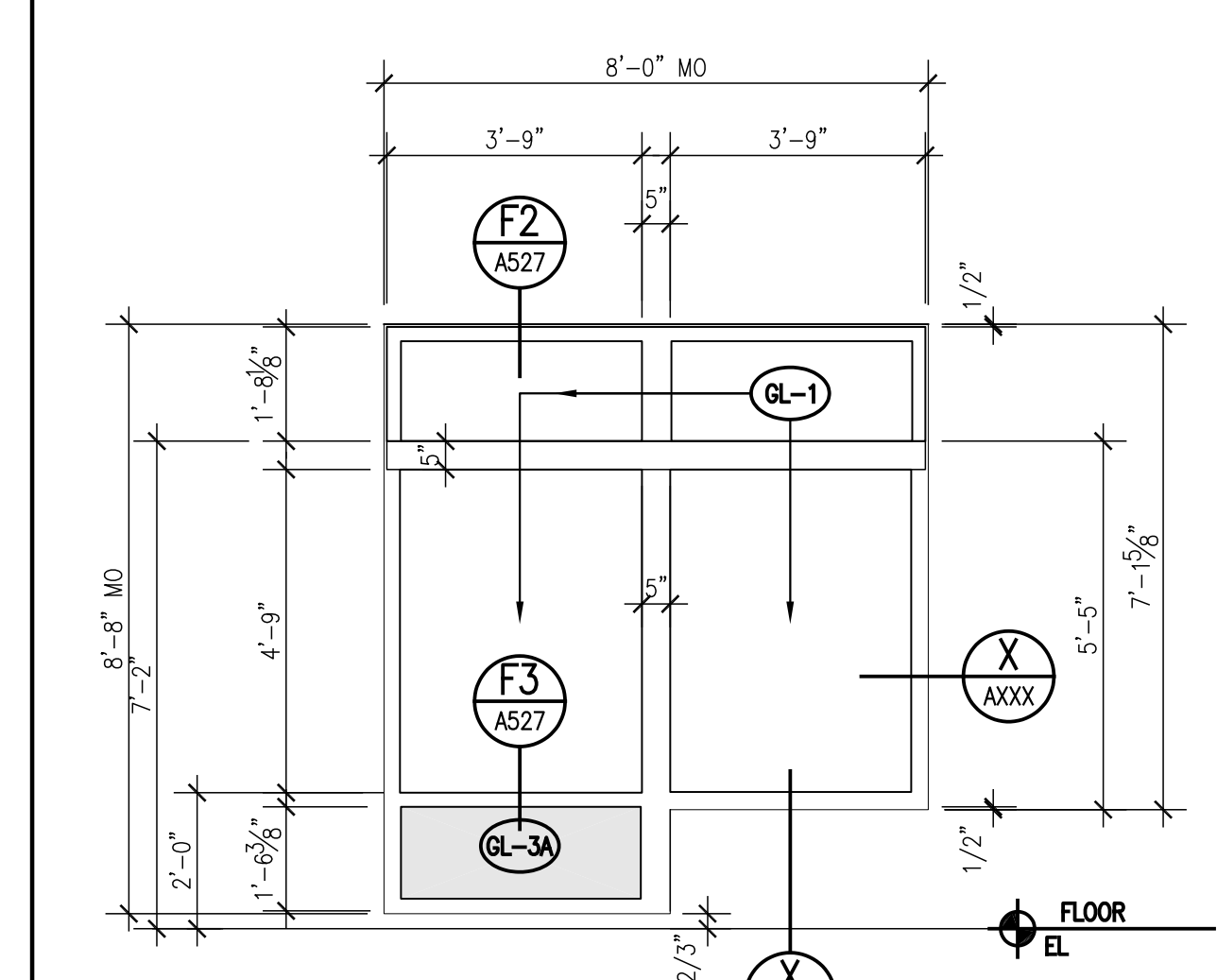
CURTAIN WALL TYPE E
EAST ELEVATION



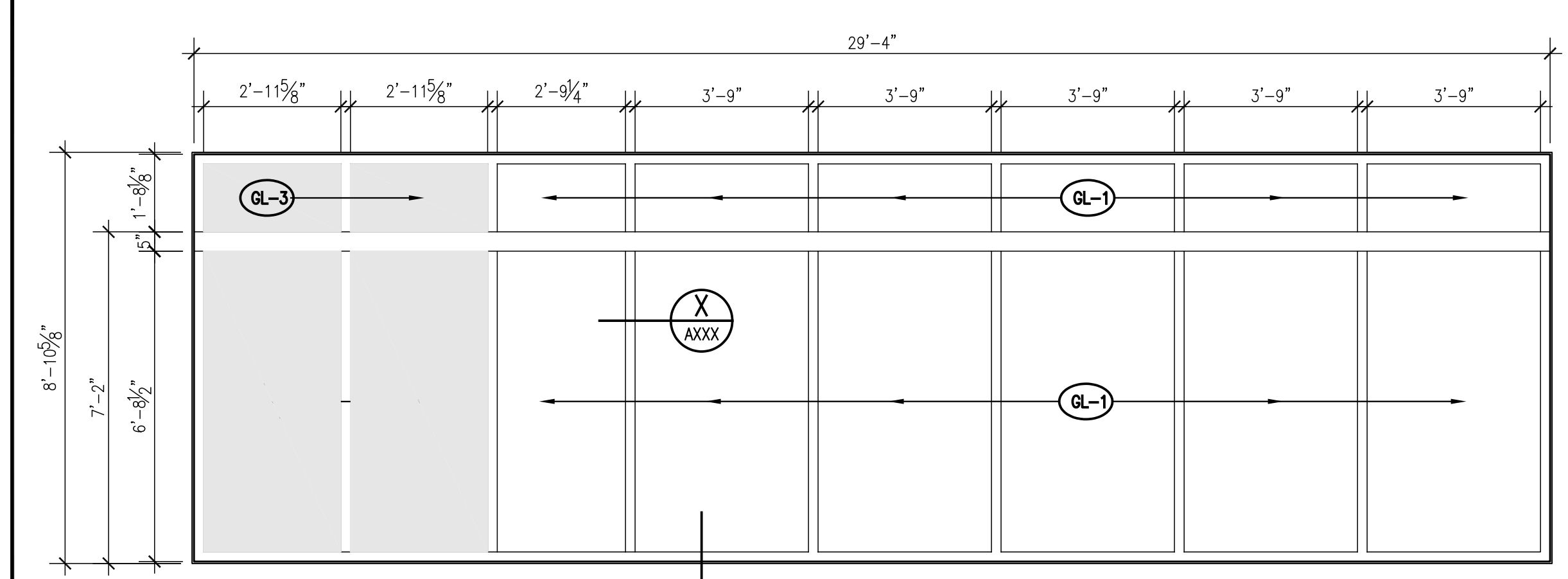
CURTAIN WALL TYPE A



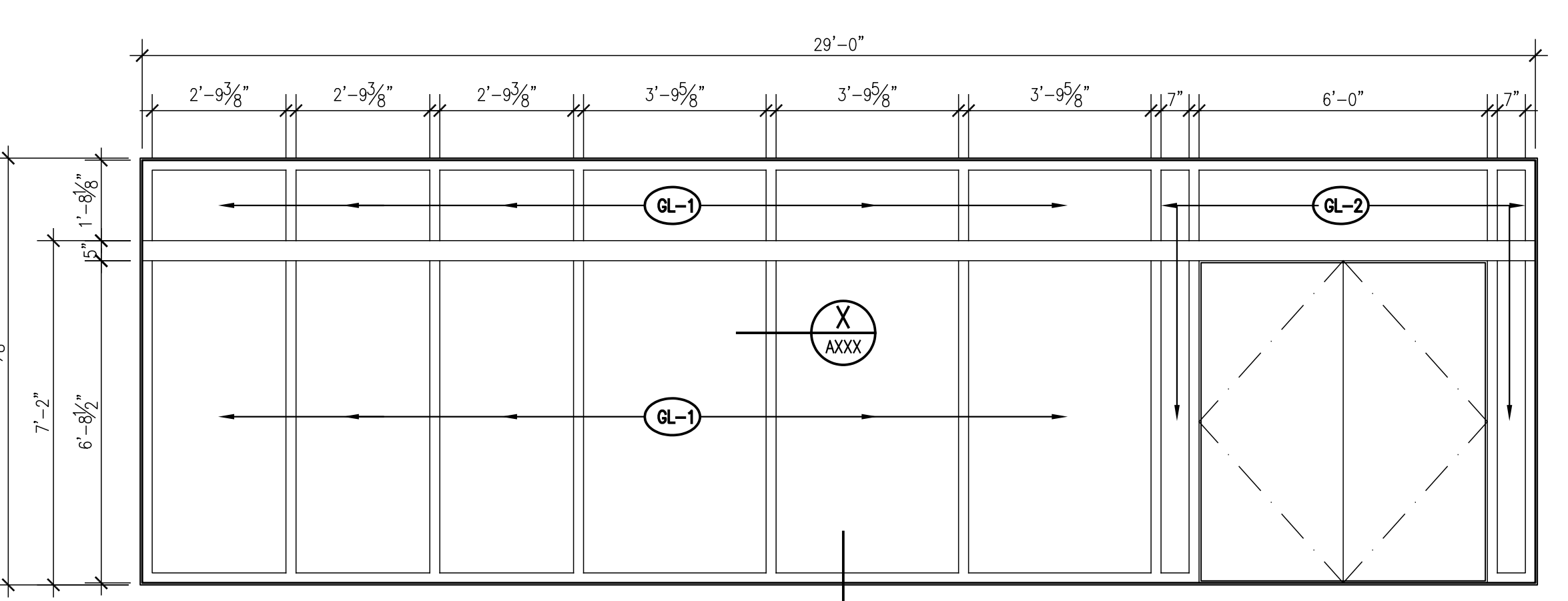
CURTAIN WALL TYPE B



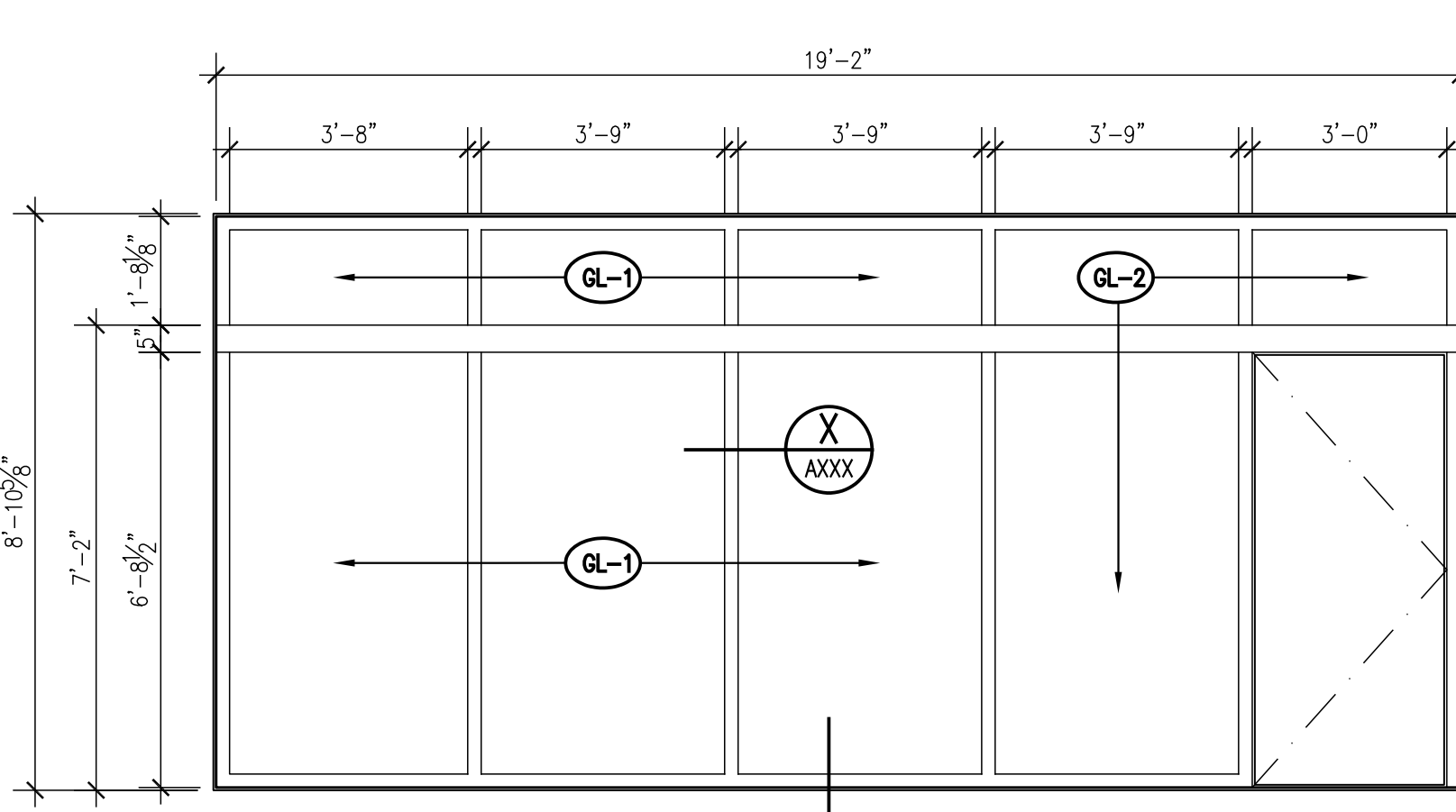
CURTAIN WALL TYPE C
MIRROR C1



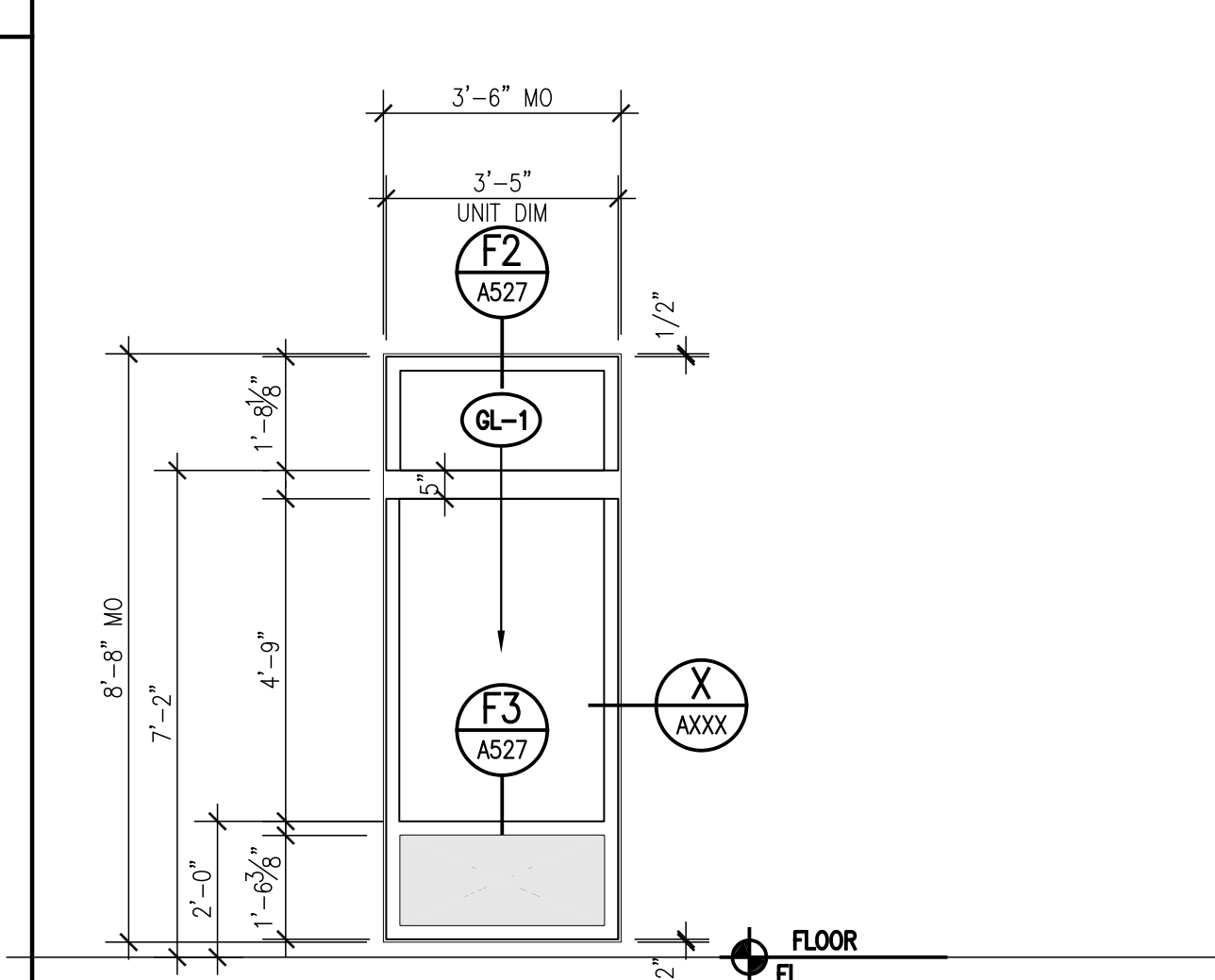
CURTAIN WALL TYPE L
SOUTH ELEVATION



CURTAIN WALL TYPE K
SOUTH ELEVATION



CURTAIN WALL TYPE J
SOUTH ELEVATION

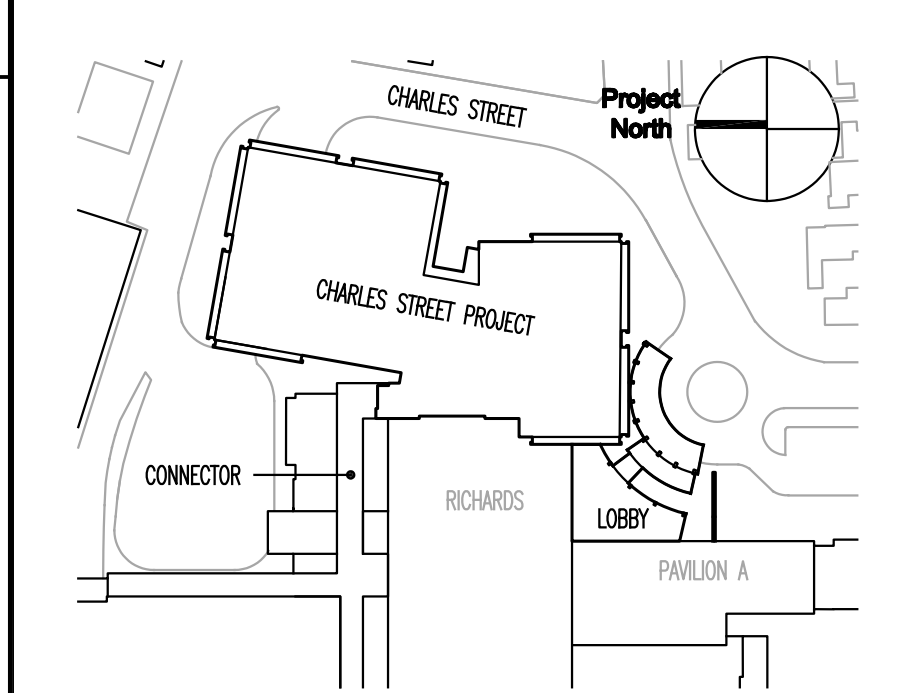


CURTAIN WALL TYPE D

F5 WINDOW TYPES
SCALE: 3/8" = 1'-0"

General Notes:
 (GL-1) CLEAR INSULATING GLASS
 (GL-2) CLEAR TEMPERED INSULATING GLASS
 (GL-3) SPANDREL
 (GL-3A) TEMPERED SPANDREL
 ALL HORIZONTAL MULLION CAPS SHALL BE 2 1/2" WIDE x 4" DEEP.
 ALL VERTICAL MULLION CAPS SHALL BE 2 1/2" WIDE x 3/4" DEEP.
 ALL CURTAIN WALLS IN THIS DRAWING ARE SHOWN FROM EXTERIOR SIDE.
 SEE SPEC. MANUAL FOR GLAZING TYPE SCHEDULE

FOR PERMIT ONLY
 NOT FOR CONSTRUCTION
 PERMIT 09/24/04 PERMIT SET - NOT FOR CONSTRUCTION
 Issue Log



Key Plan
TRO
 ARCHITECTURE
 PLANNING
 ENGINEERING &
 INTERIOR DESIGN
 The Ritchie Organization
 80 Bridge Street
 Newton, MA 02459-1156
 617-552-9100

Maine Medical Center
 Charles Street Project
 Portland, Maine MMC Project No. 21841

Drawing Title
WINDOW AND CURTAIN WALL SCHEDULE

Commission No.	4673	Date Issued	
Scale	AS NOTED	Sheet Number	
Drawn By	AD		
Approved By	JW		
Filename	4673AS25.dwg		
Copyright	© 2004 The Ritchie Organization		

A525