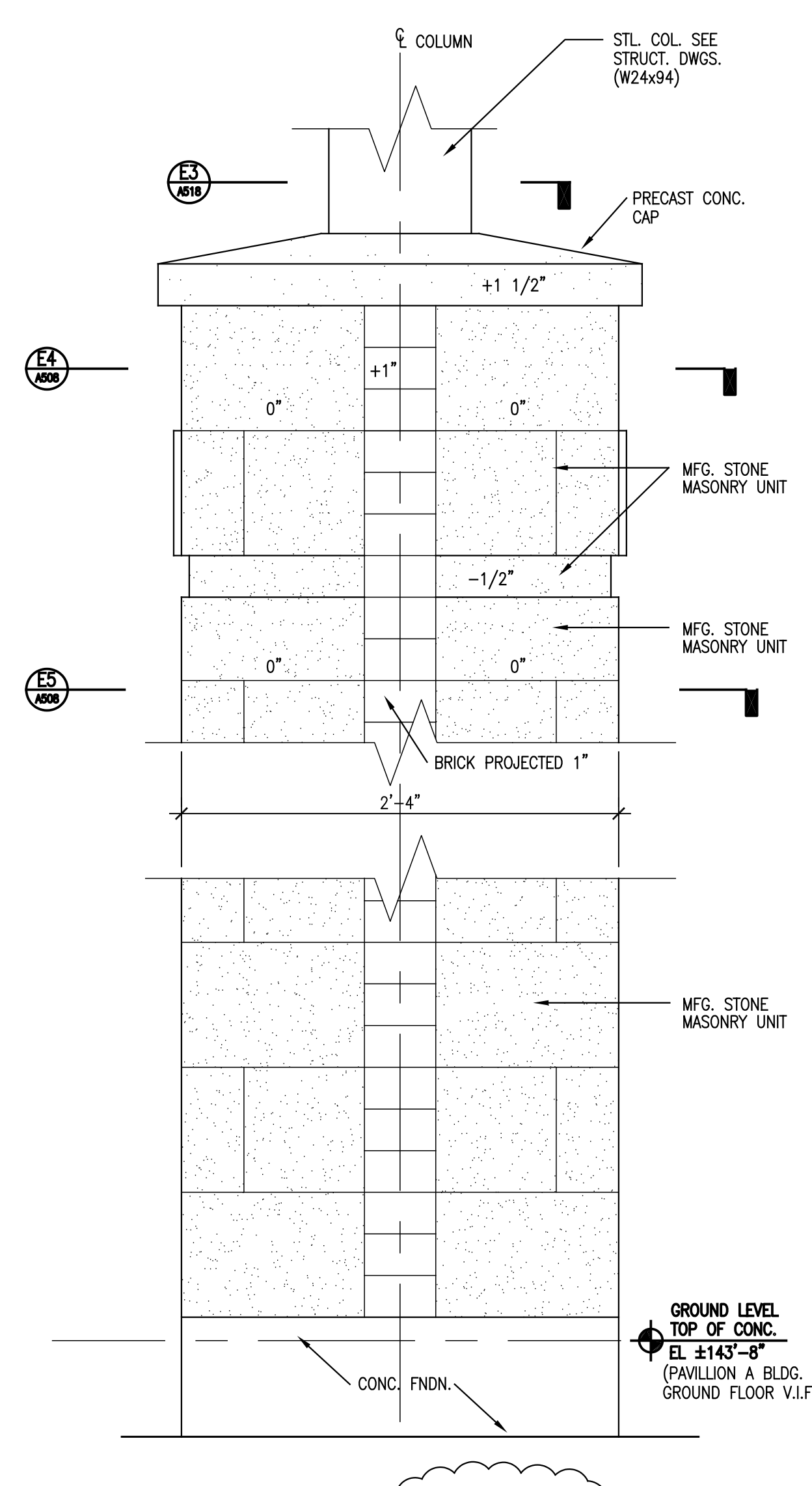
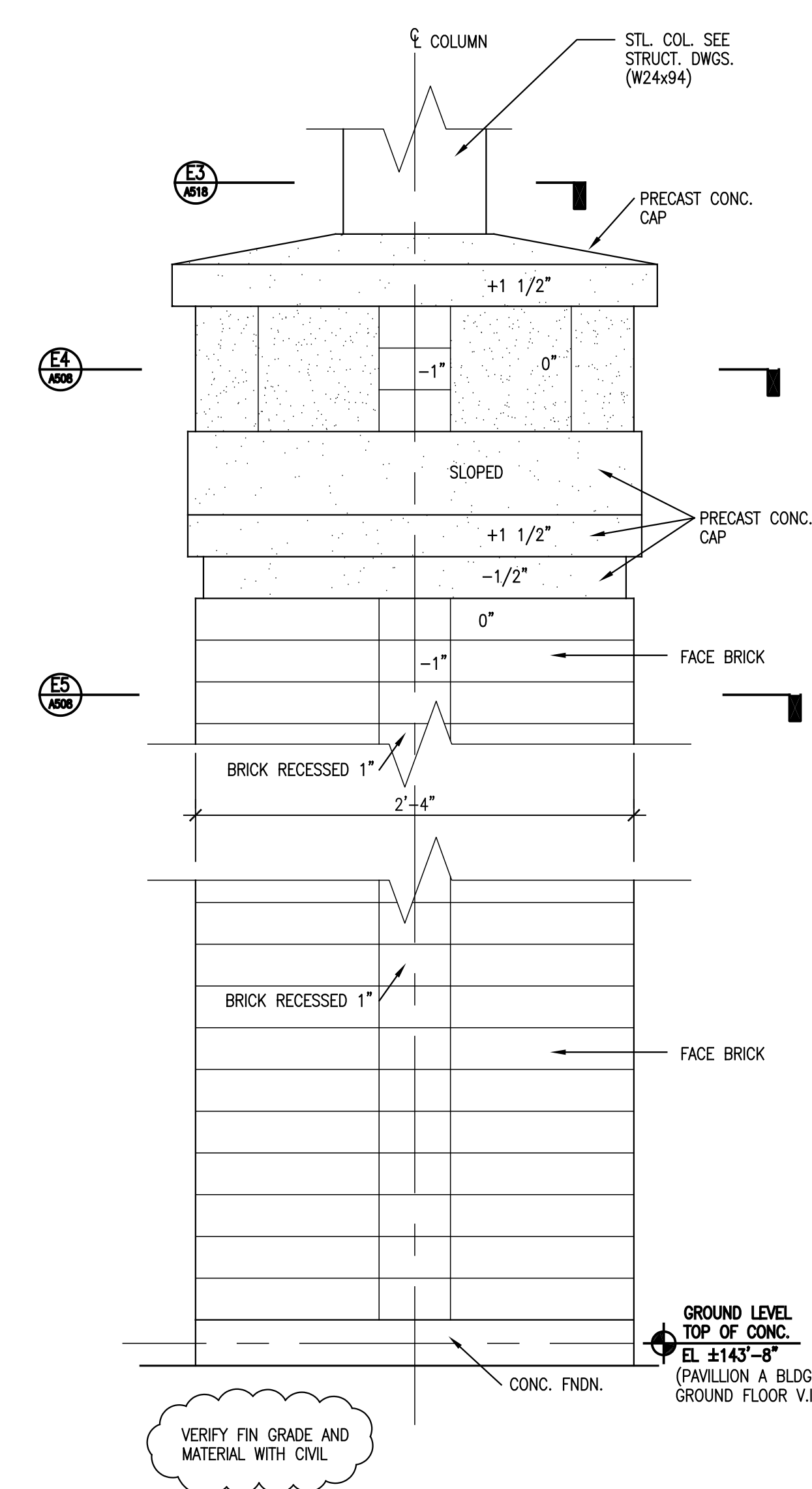


A2 PARTIAL FRONT ELEVATION AT COL. ENCLOSURE AT FACE OF BUILDING
SCALE: 1 1/2" = 1'-0"

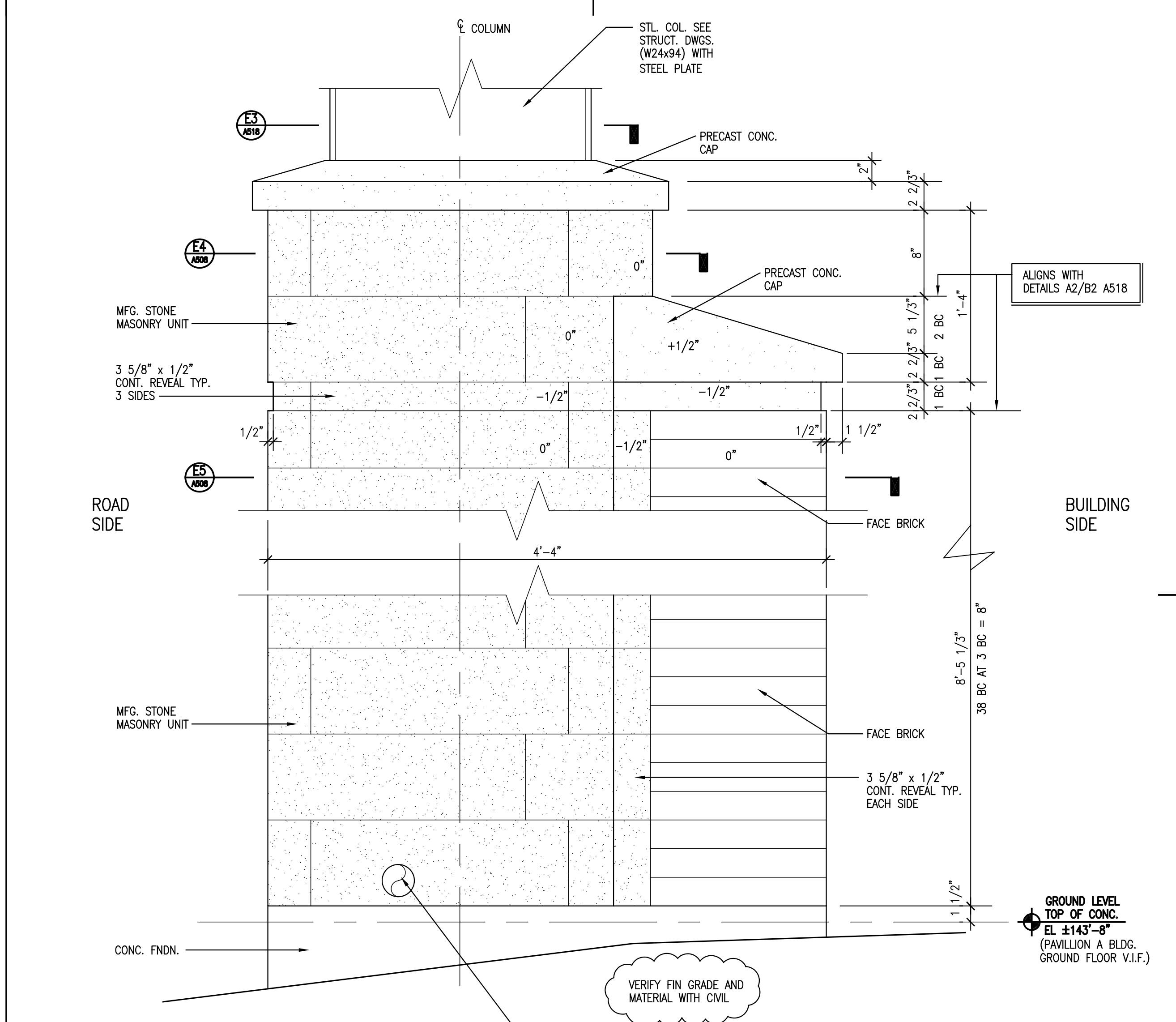
B2 PARTIAL SIDE ELEVATION AT COL. ENCLOSURE AT FACE OF BUILDING
SCALE: 1 1/2" = 1'-0"



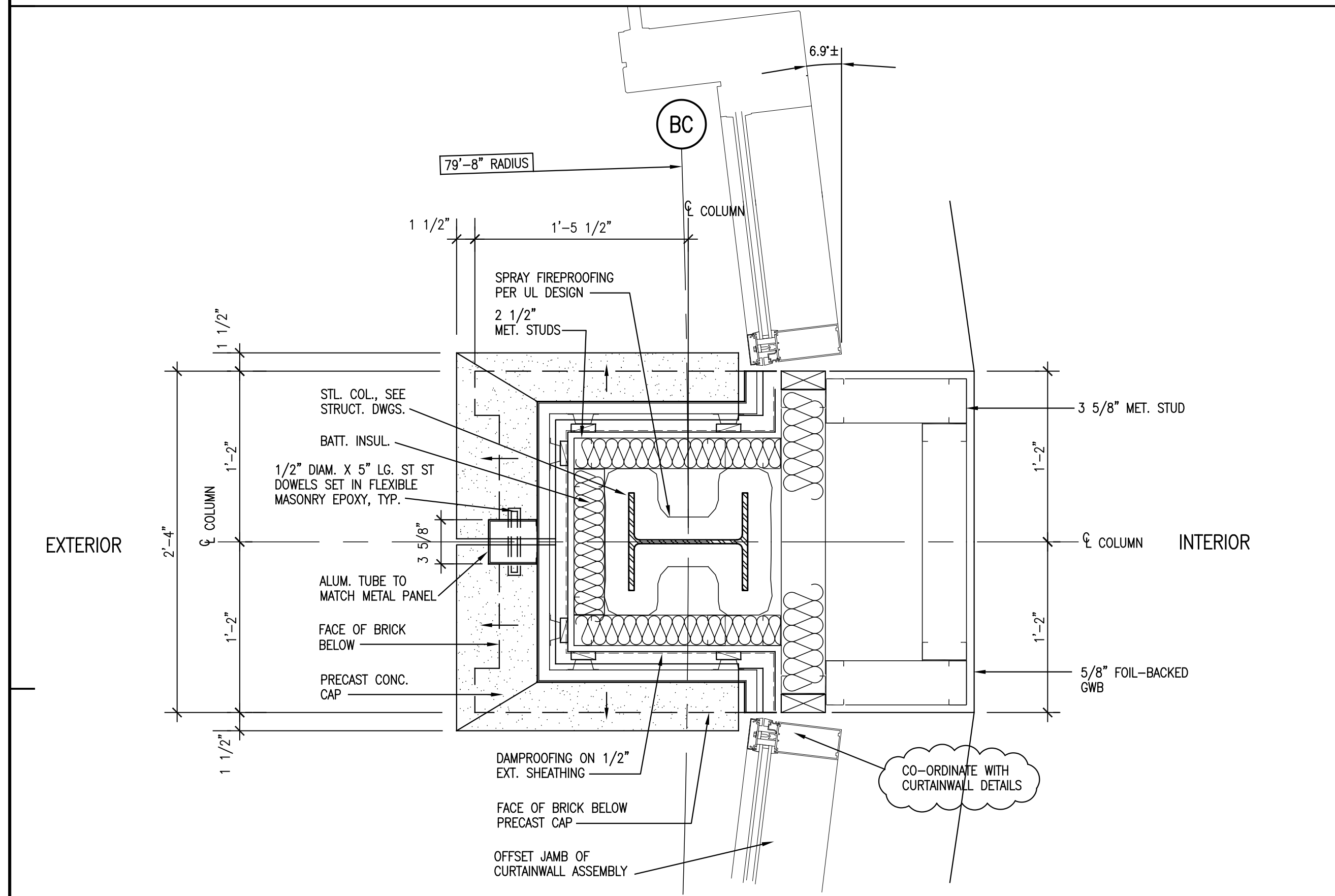
C2 PARTIAL END ELEVATION OF COLUMN ENCLOSURE ROAD SIDE
SCALE: 1 1/2" = 1'-0"



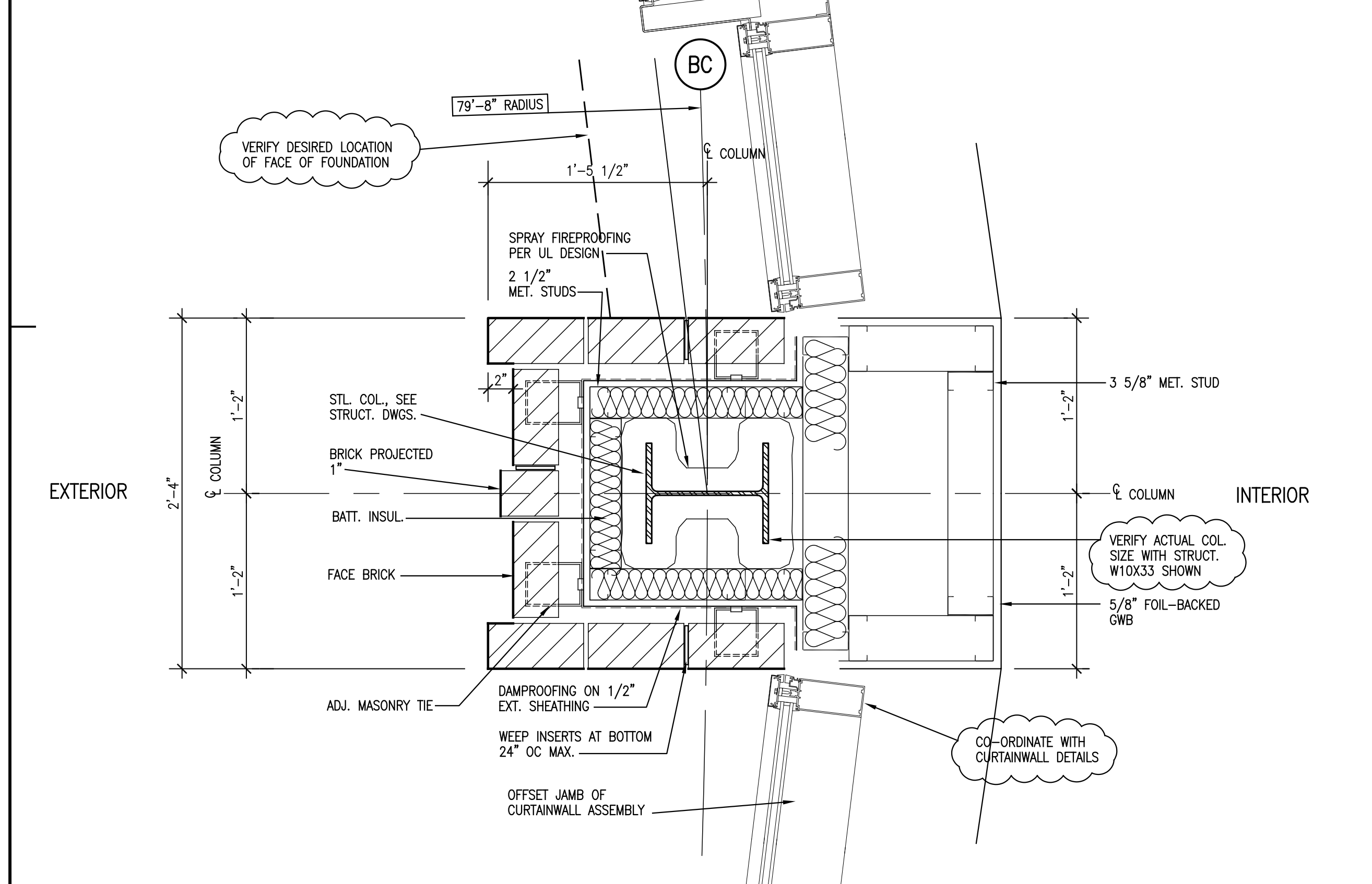
D2 PARTIAL END ELEVATION OF COLUMN ENCLOSURE BUILDING SIDE
SCALE: 1 1/2" = 1'-0"



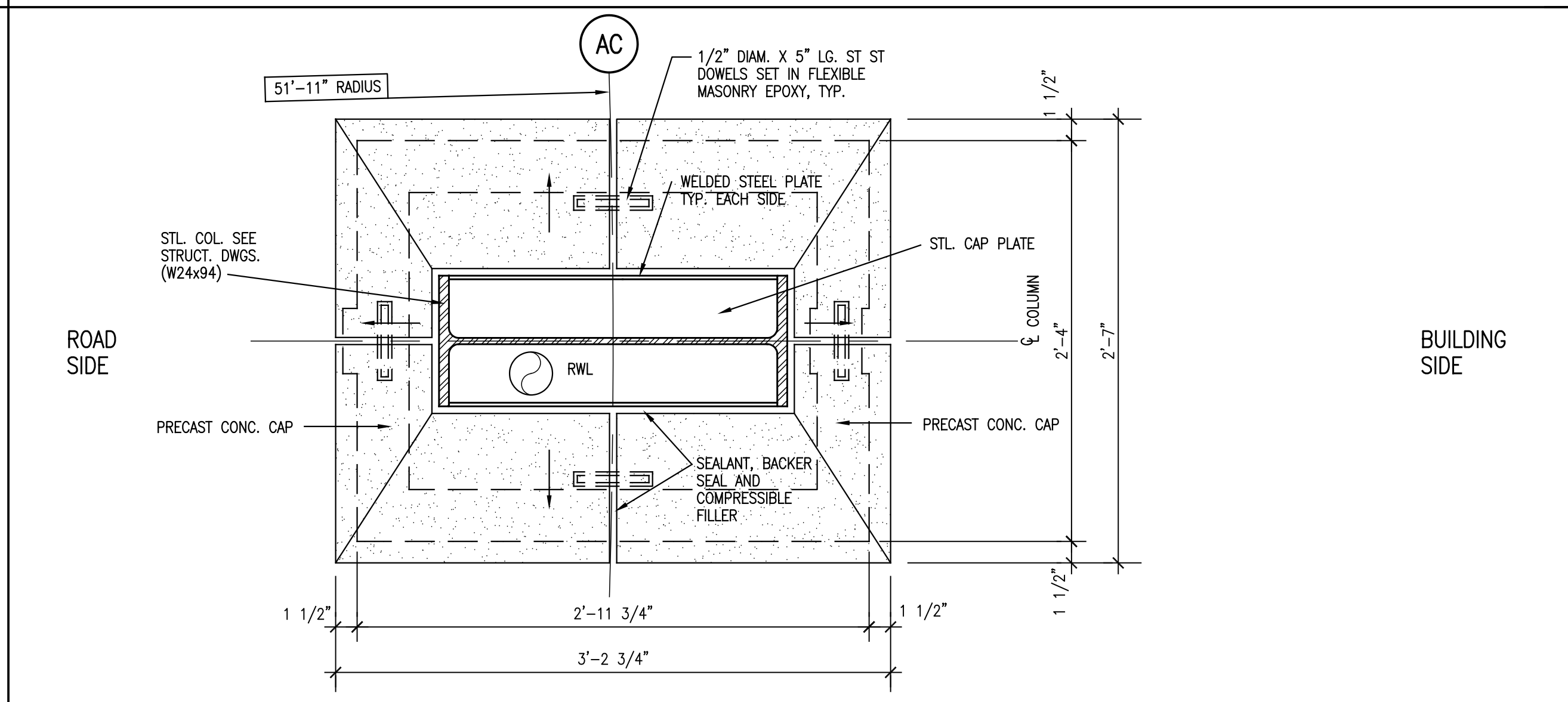
E2 PARTIAL SIDE ELEVATION OF COLUMN ENCLOSURE
SCALE: 1 1/2" = 1'-0"



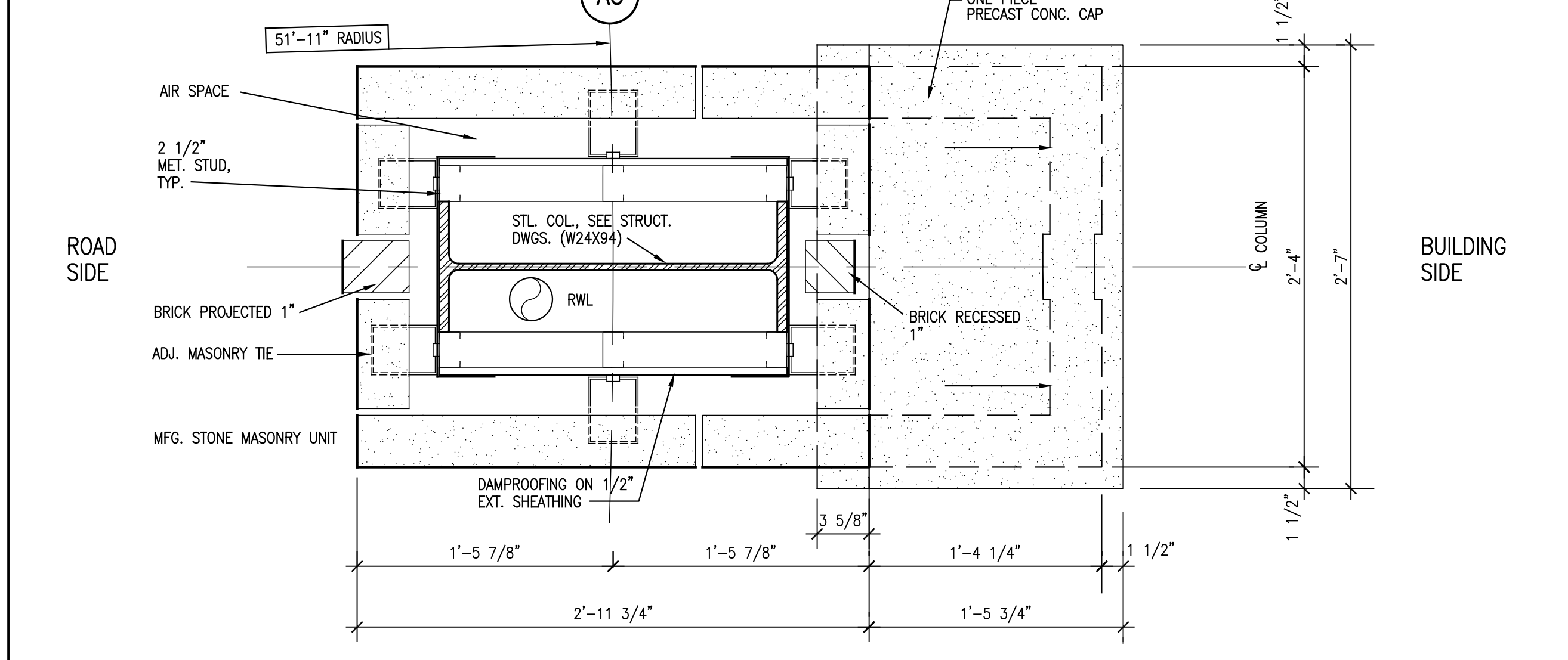
A4 PLAN DETAIL AT COL. ENCLOSURE AT FACE OF BLDG.
SCALE: 1 1/2" = 1'-0"



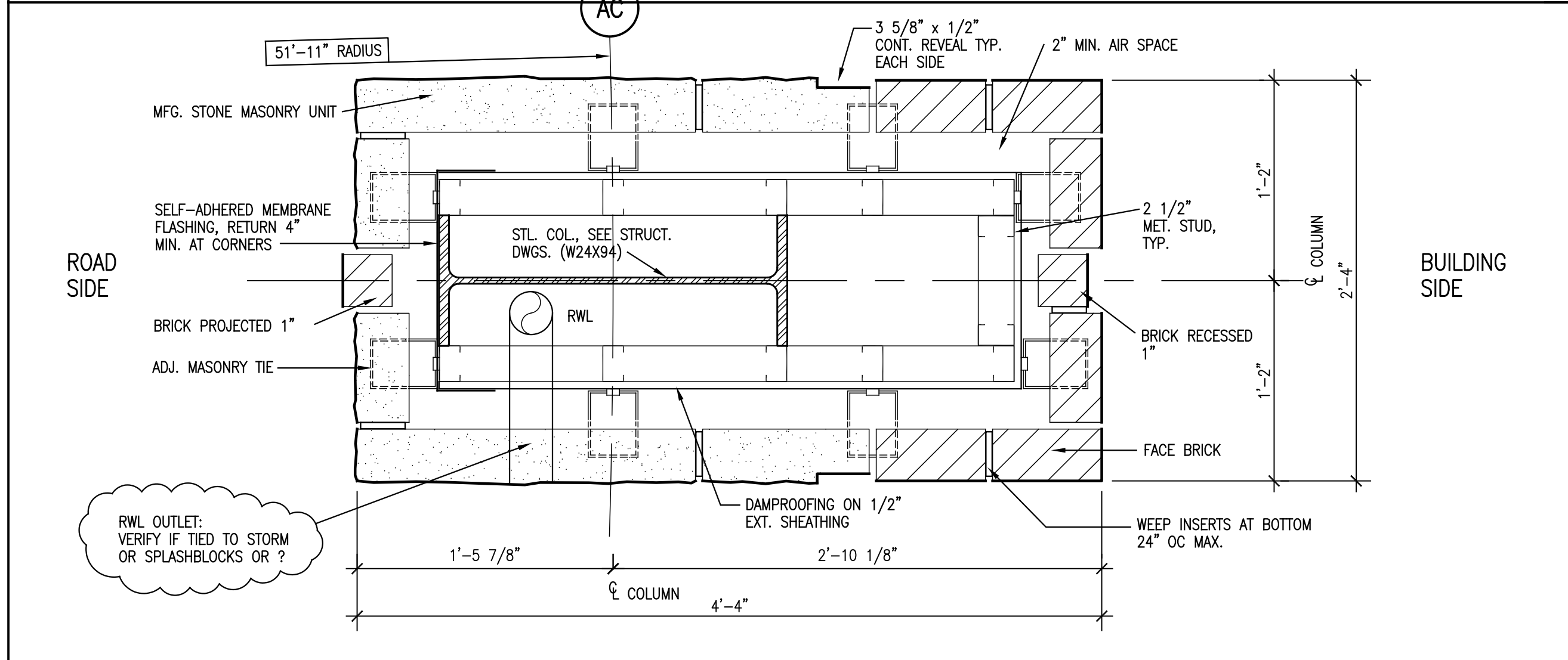
A5 PLAN DETAIL AT COL. ENCLOSURE AT FACE OF BLDG.
SCALE: 1 1/2" = 1'-0"



E3 PLAN DETAIL AT EXPOSED STEEL COLUMN
SCALE: 1 1/2" = 1'-0"



E4 PLAN DETAIL AT MFG. STONE
SCALE: 1 1/2" = 1'-0"

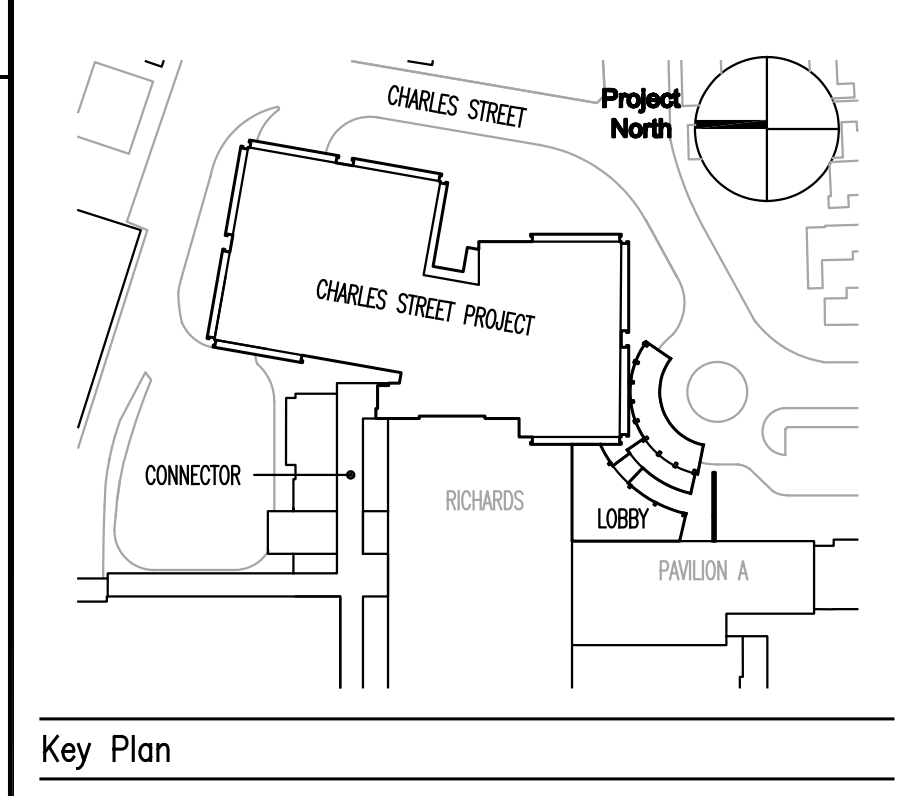


E5 PLAN DETAIL AT MFG. STONE / BRICK
SCALE: 1 1/2" = 1'-0"

General Notes:

**FOR PERMIT ONLY
NOT FOR CONSTRUCTION**

MARK ISSUE DATE DESCRIPTION
PERMIT 09/24/04 PERMIT SET - NOT FOR CONSTRUCTION
Issue Log



Main Medical Center
Charles Street Project
Portland, Maine MMC Project No. 21841

MAIN ENTRY AND CANOPY DETAILS

Commission No.	4673	Date Issued	
Scale	AS NOTED	Sheet Number	
Drawn By	RAC		
Approved By			
Filename	4673A518.dwg		
Copyright	© 2004 The Ritchie Organization		

A518