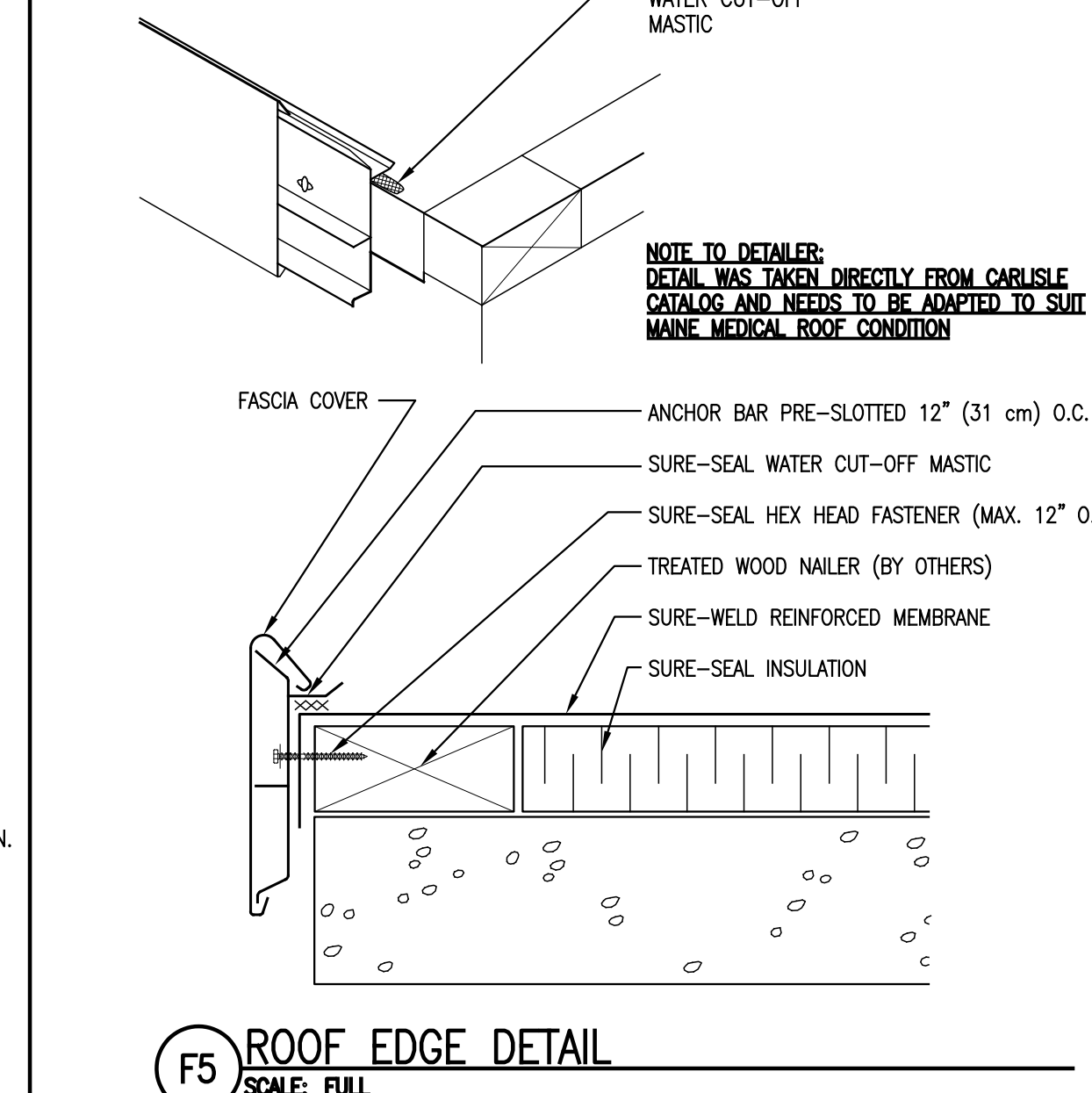
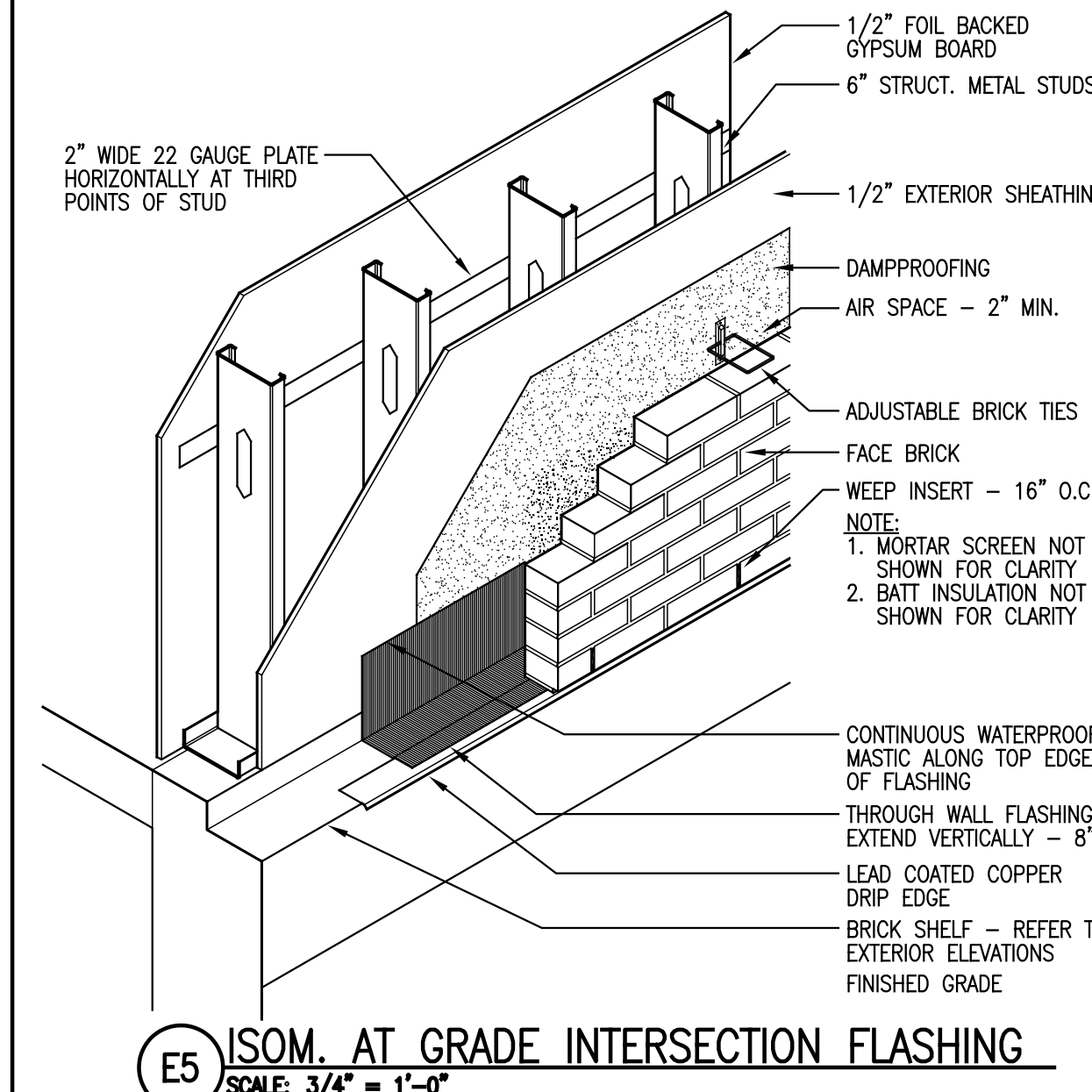
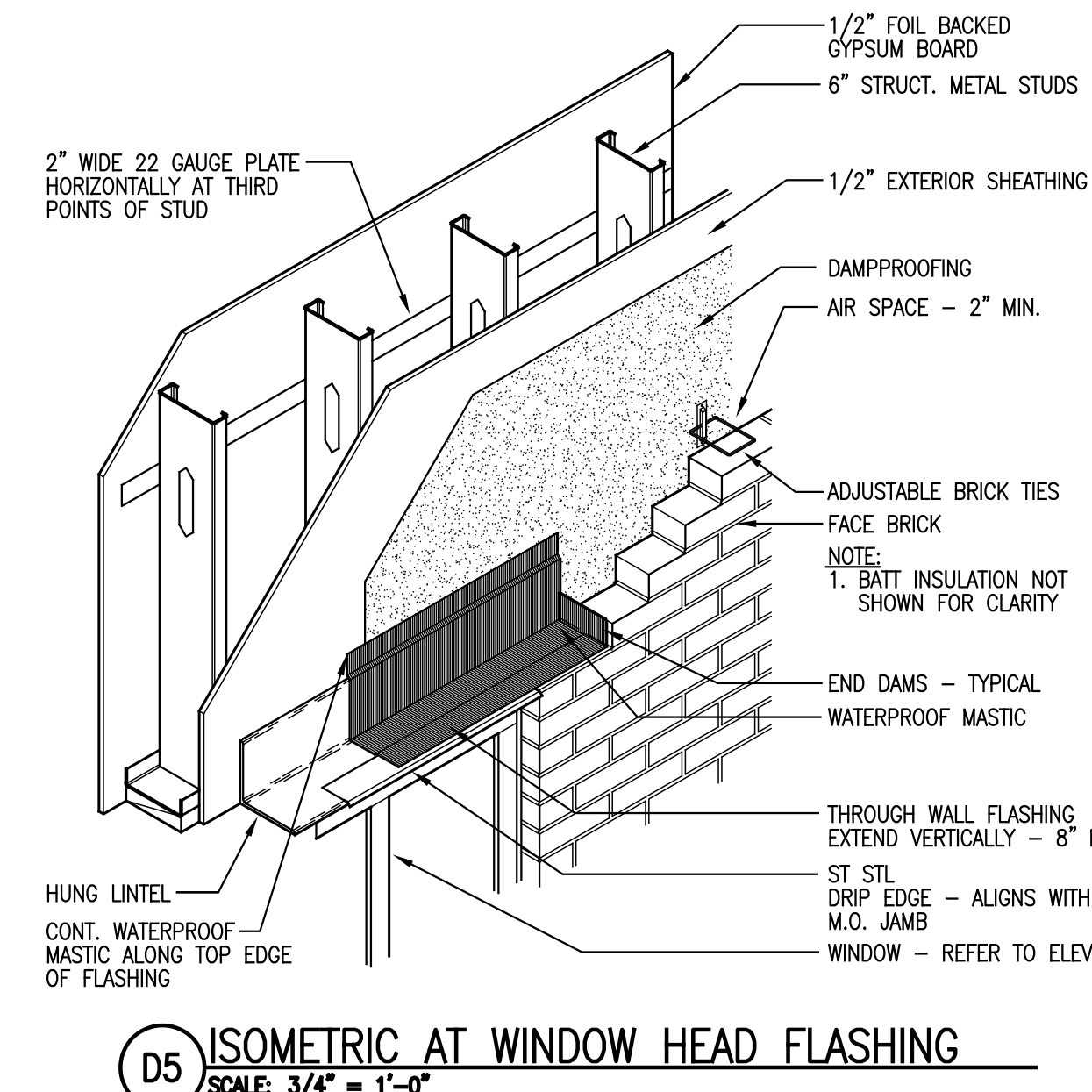
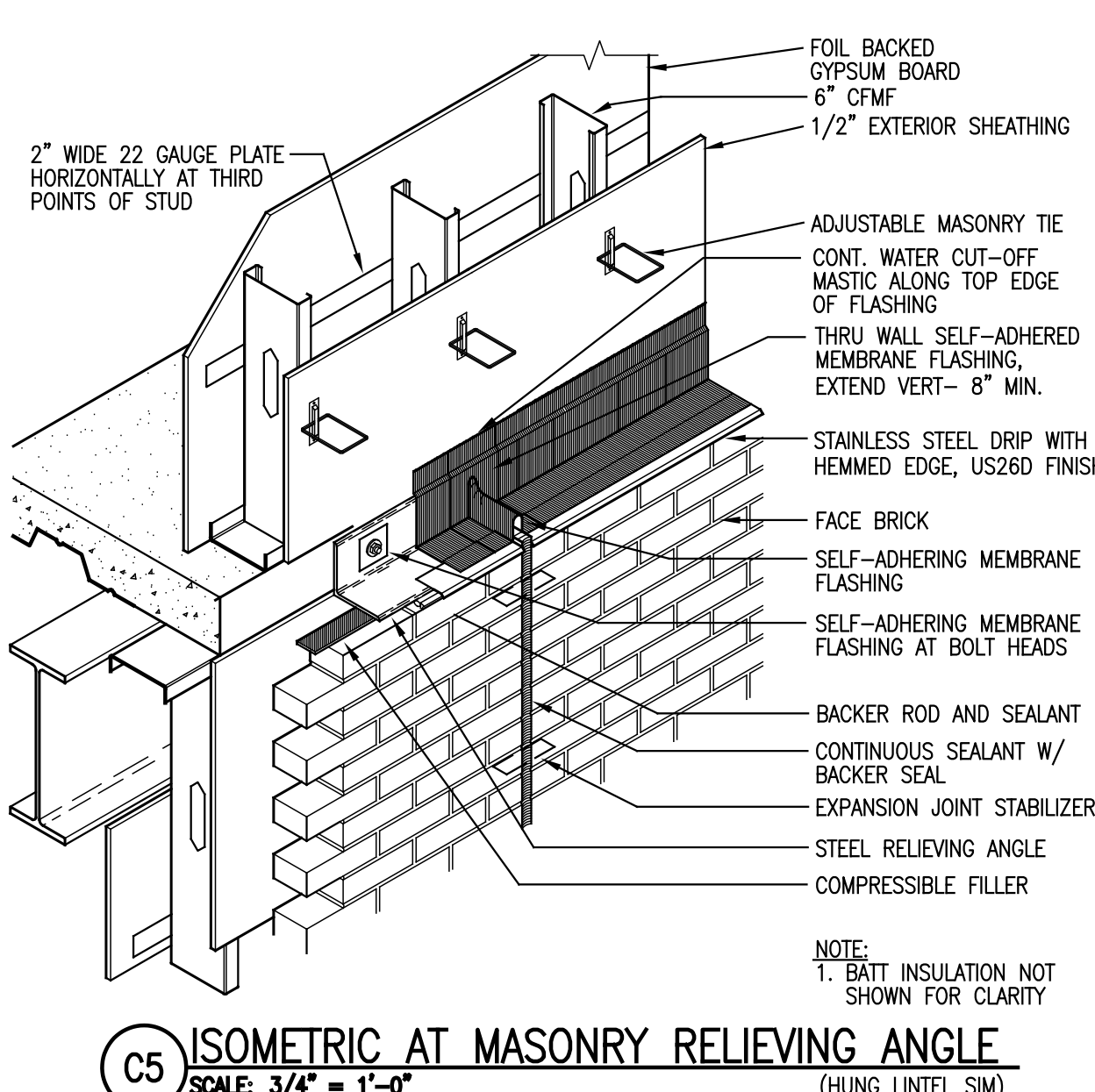
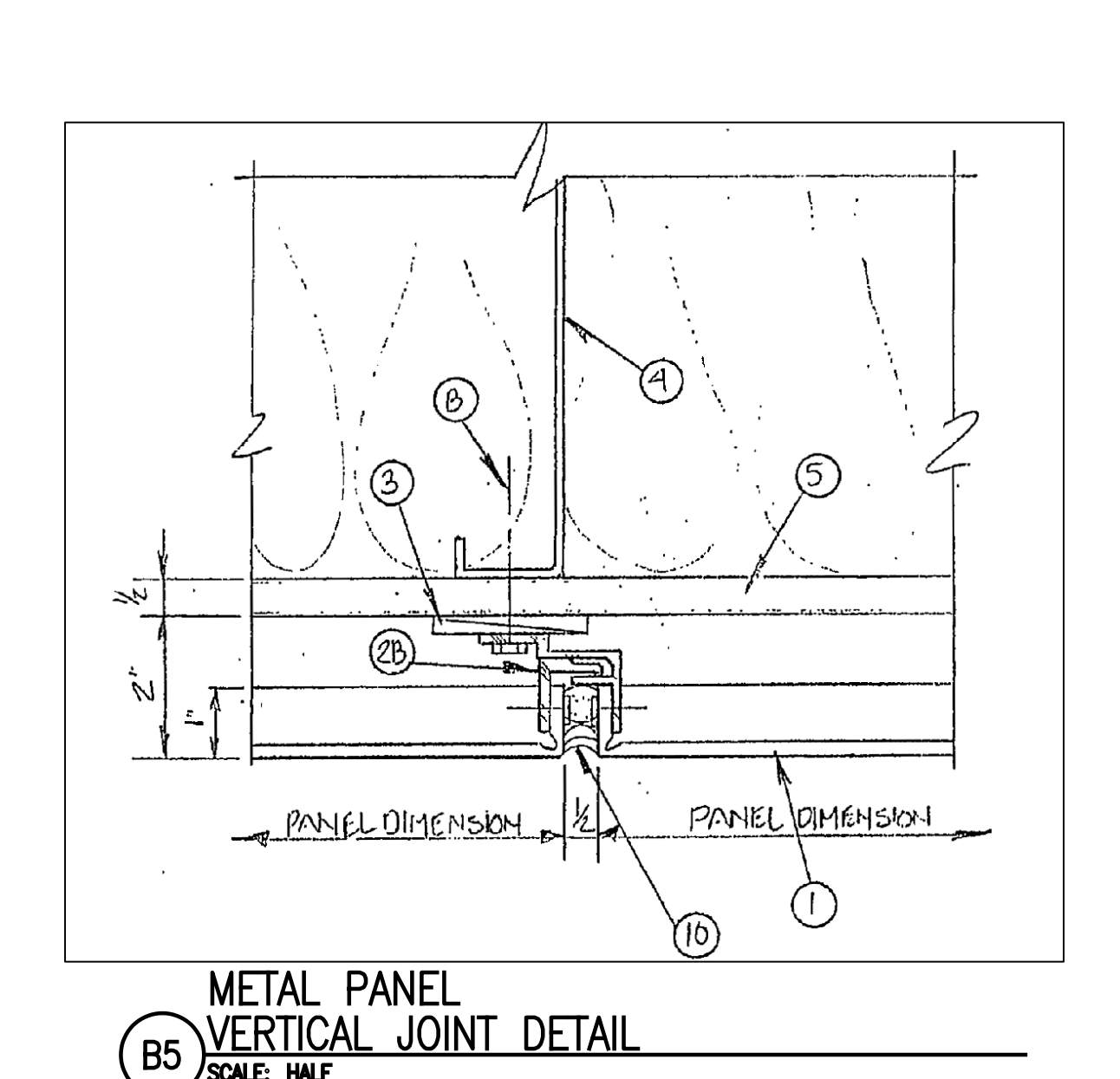
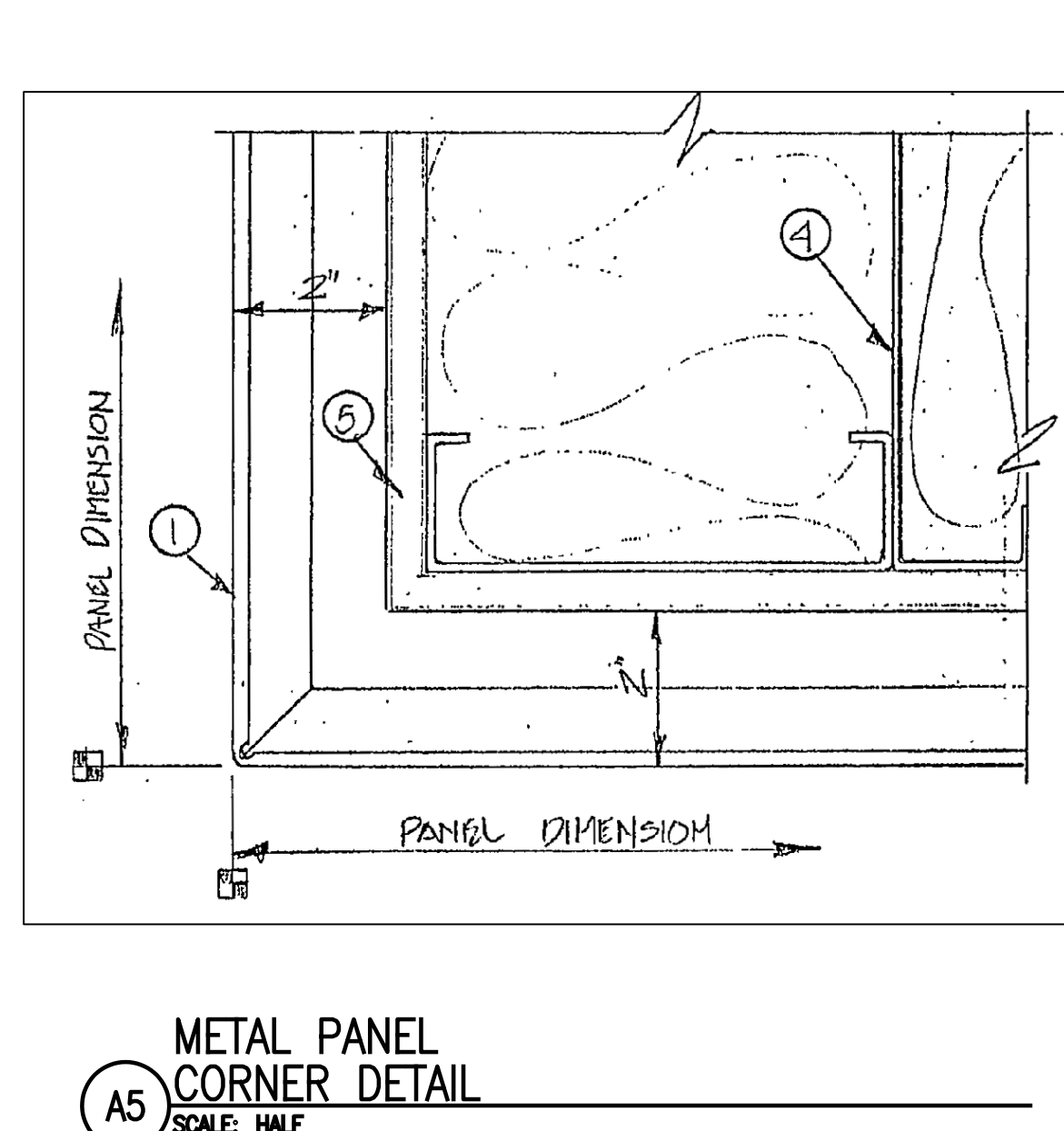
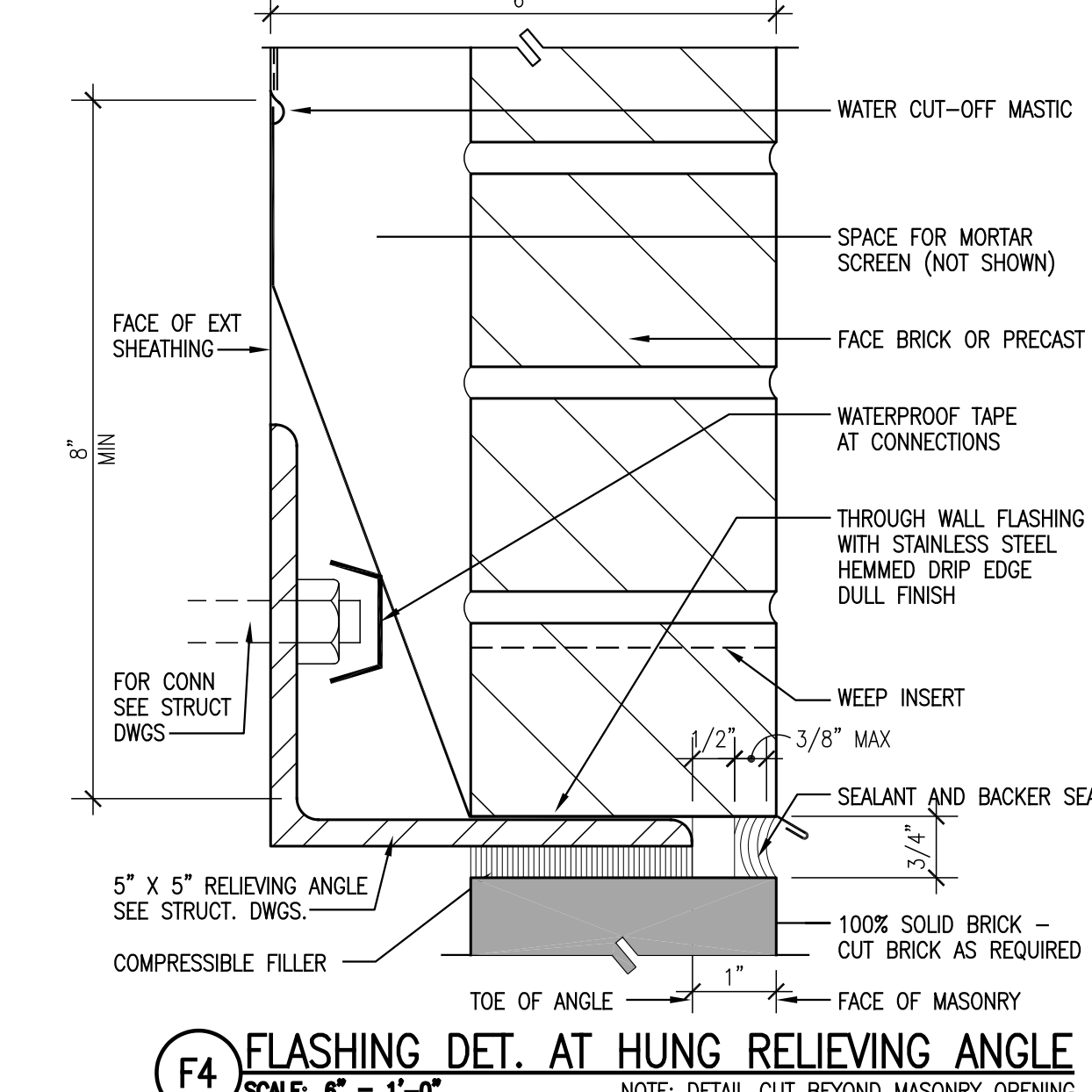
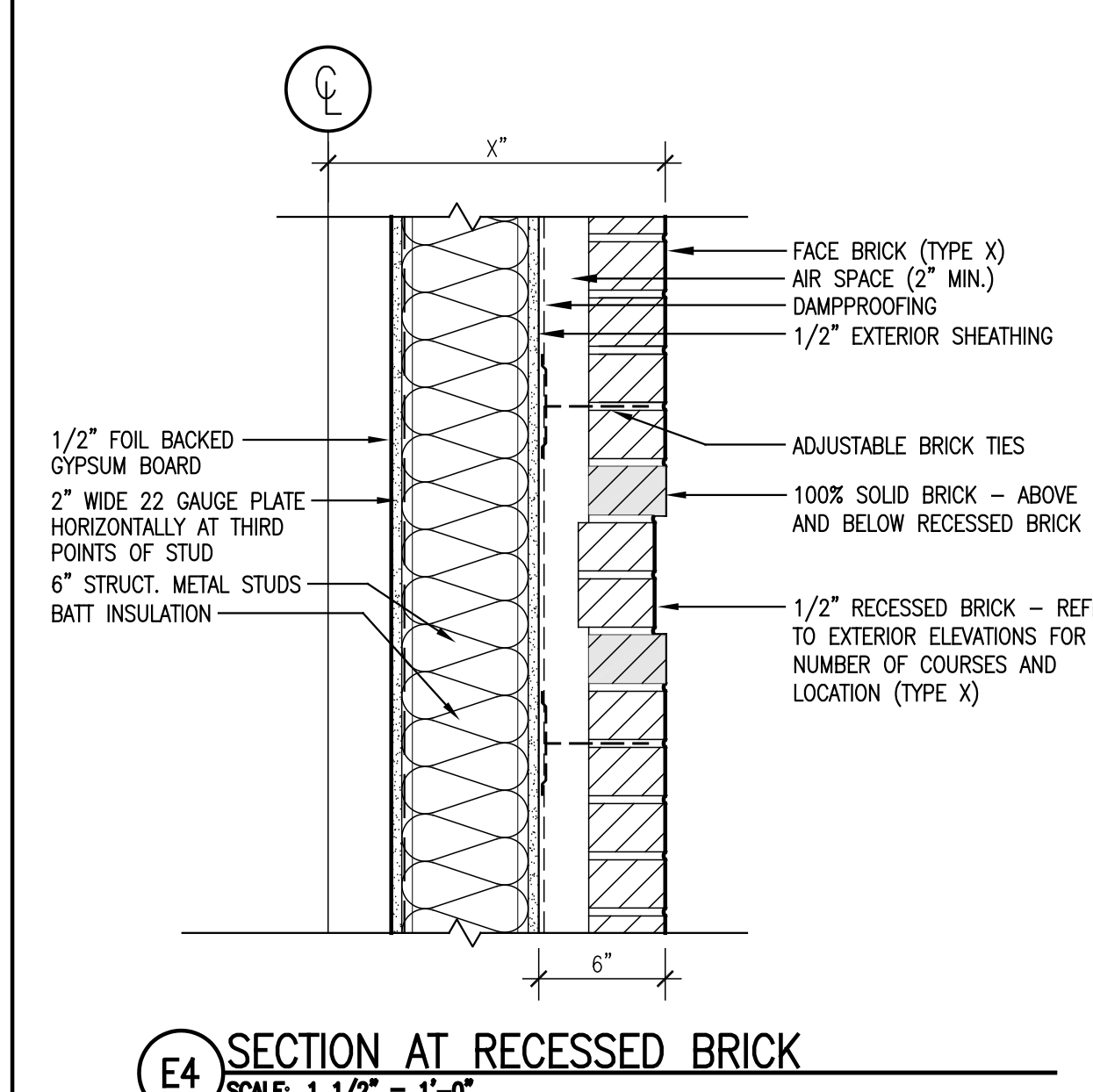
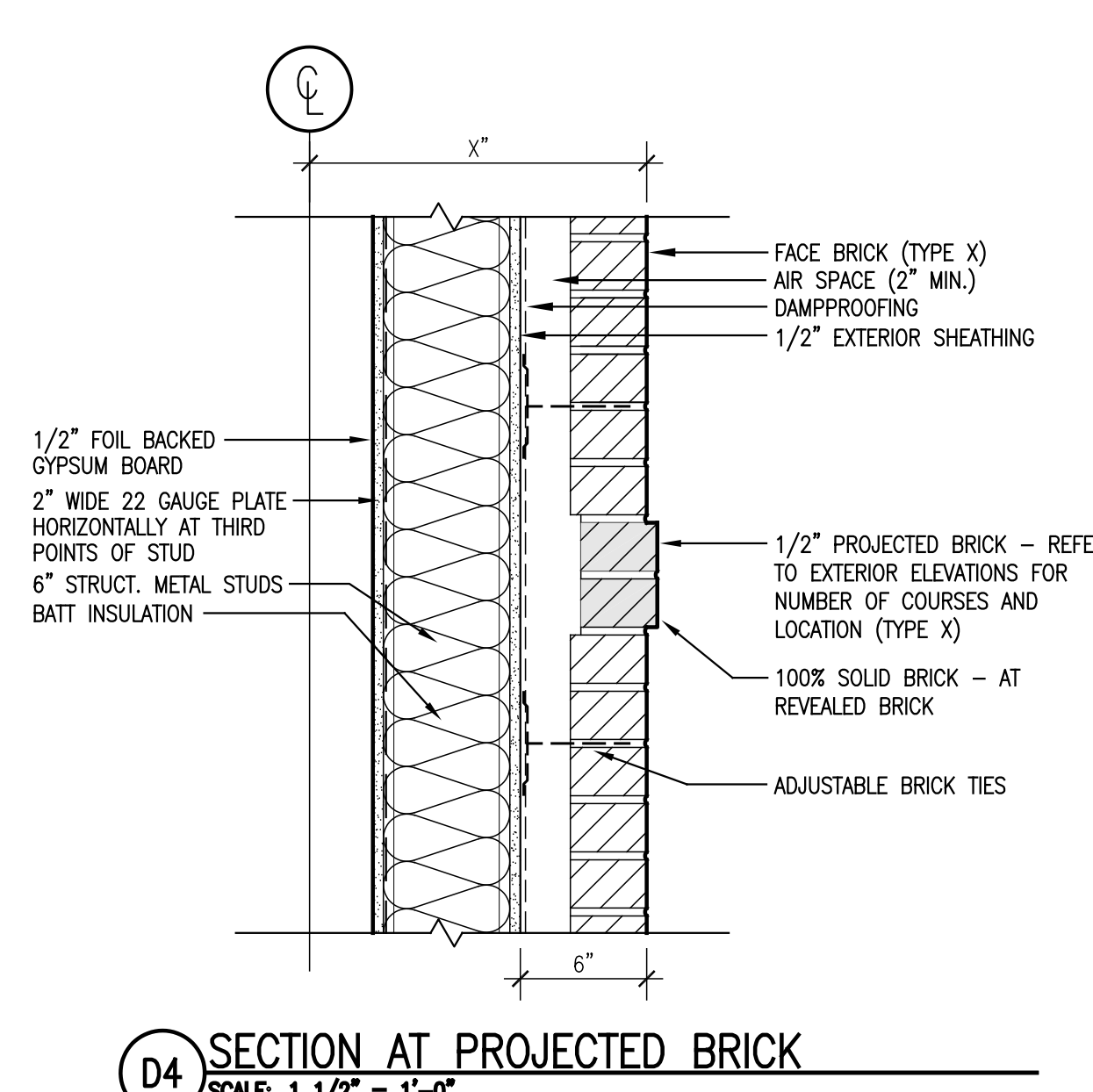
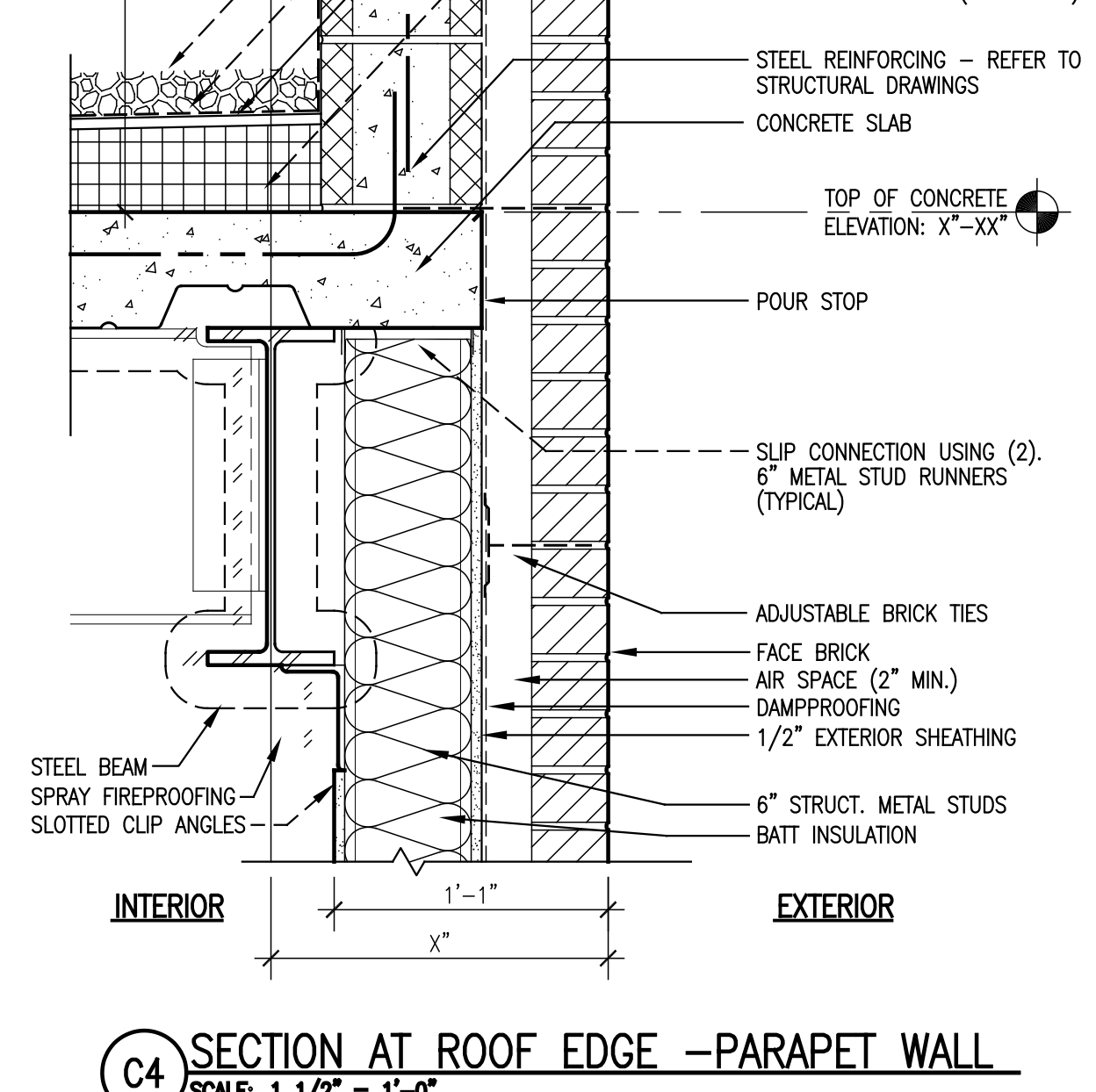
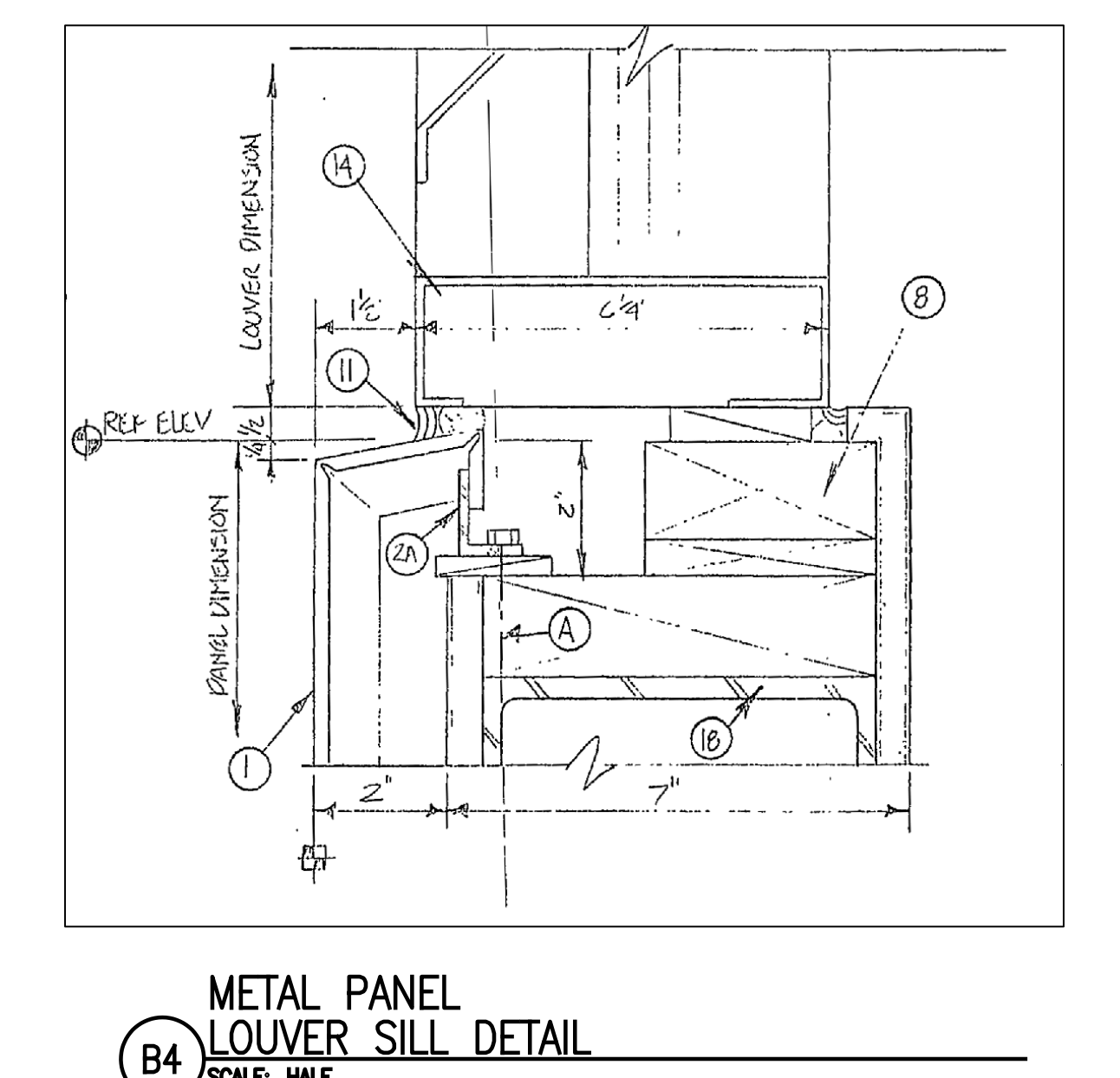
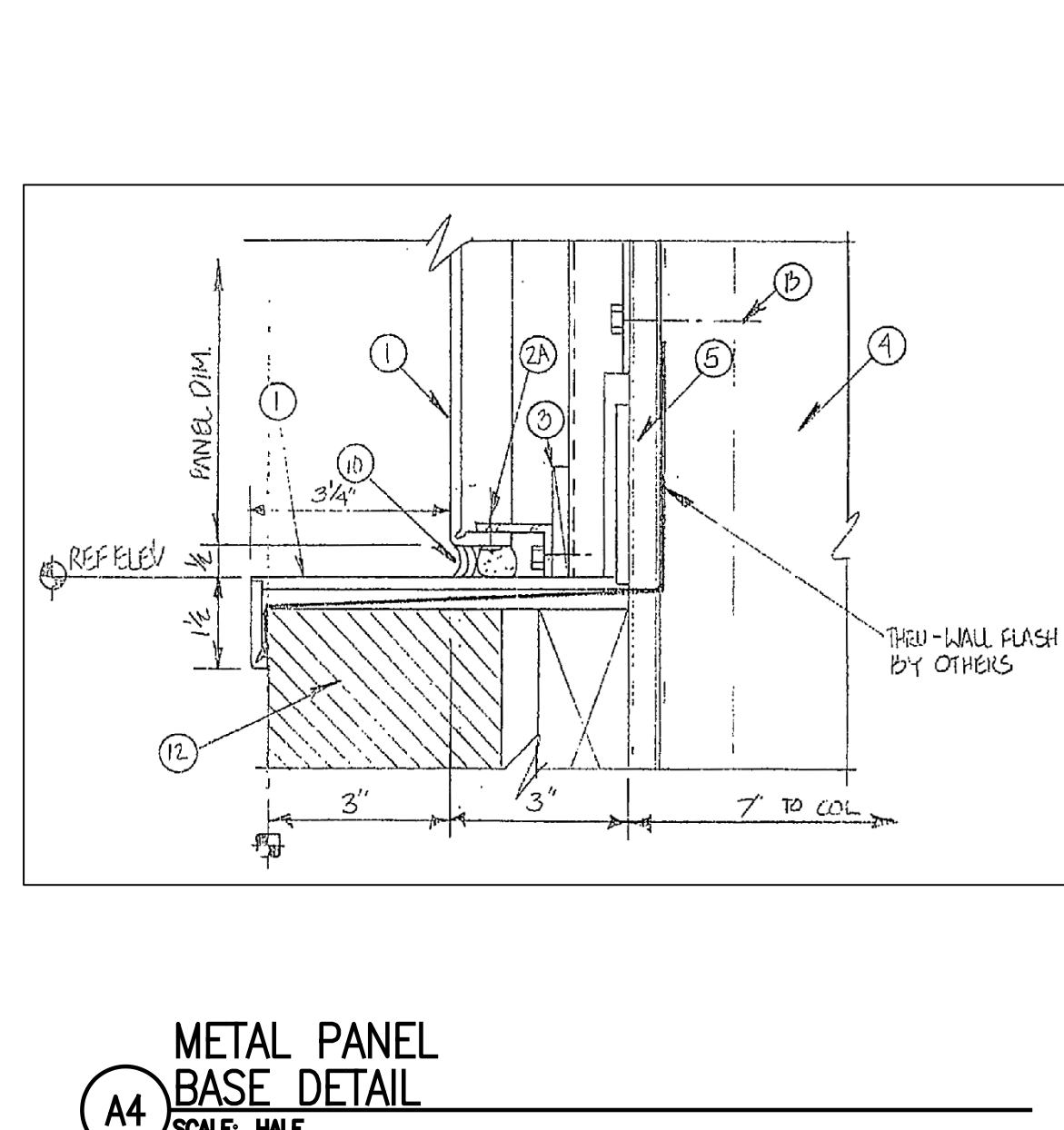
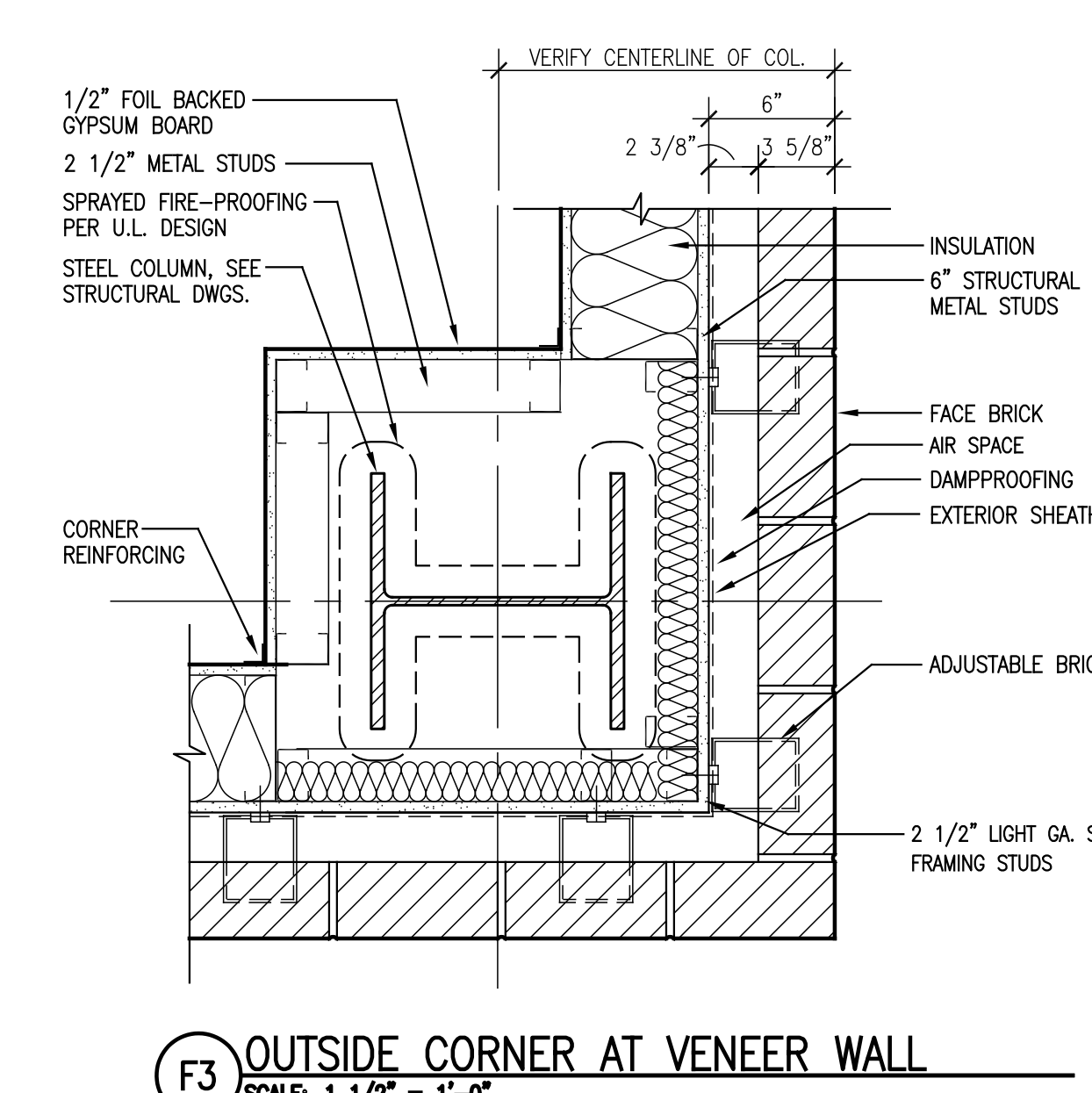
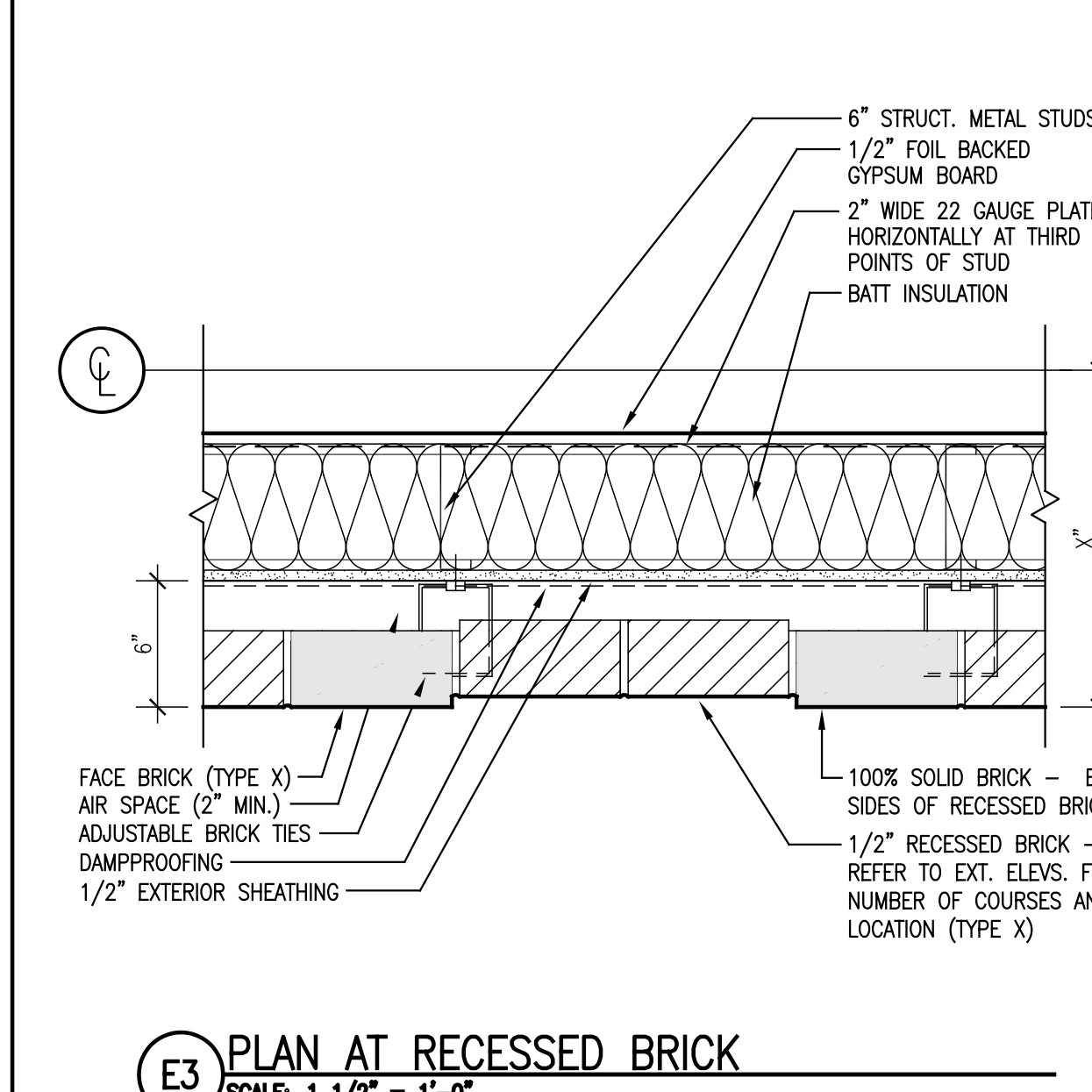
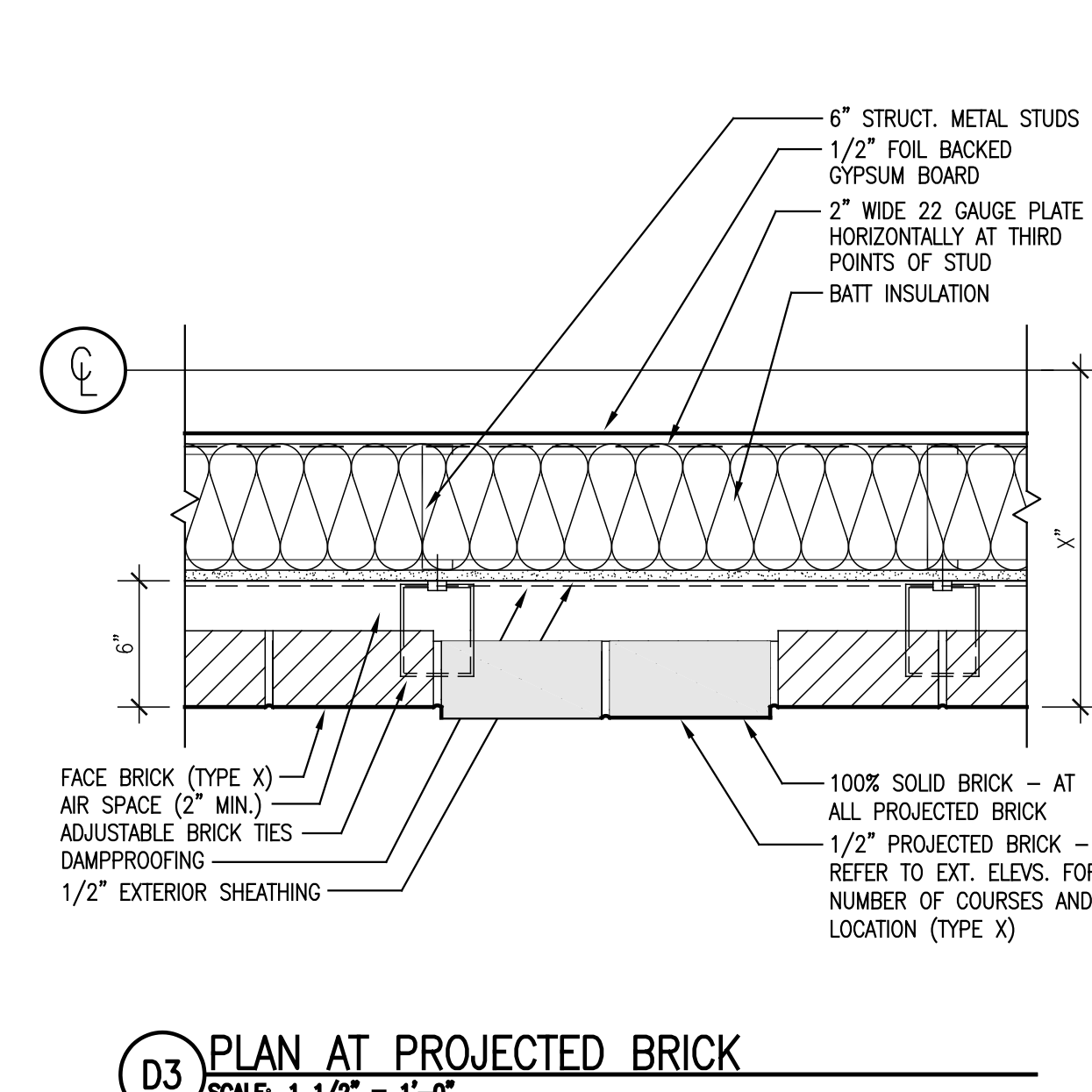
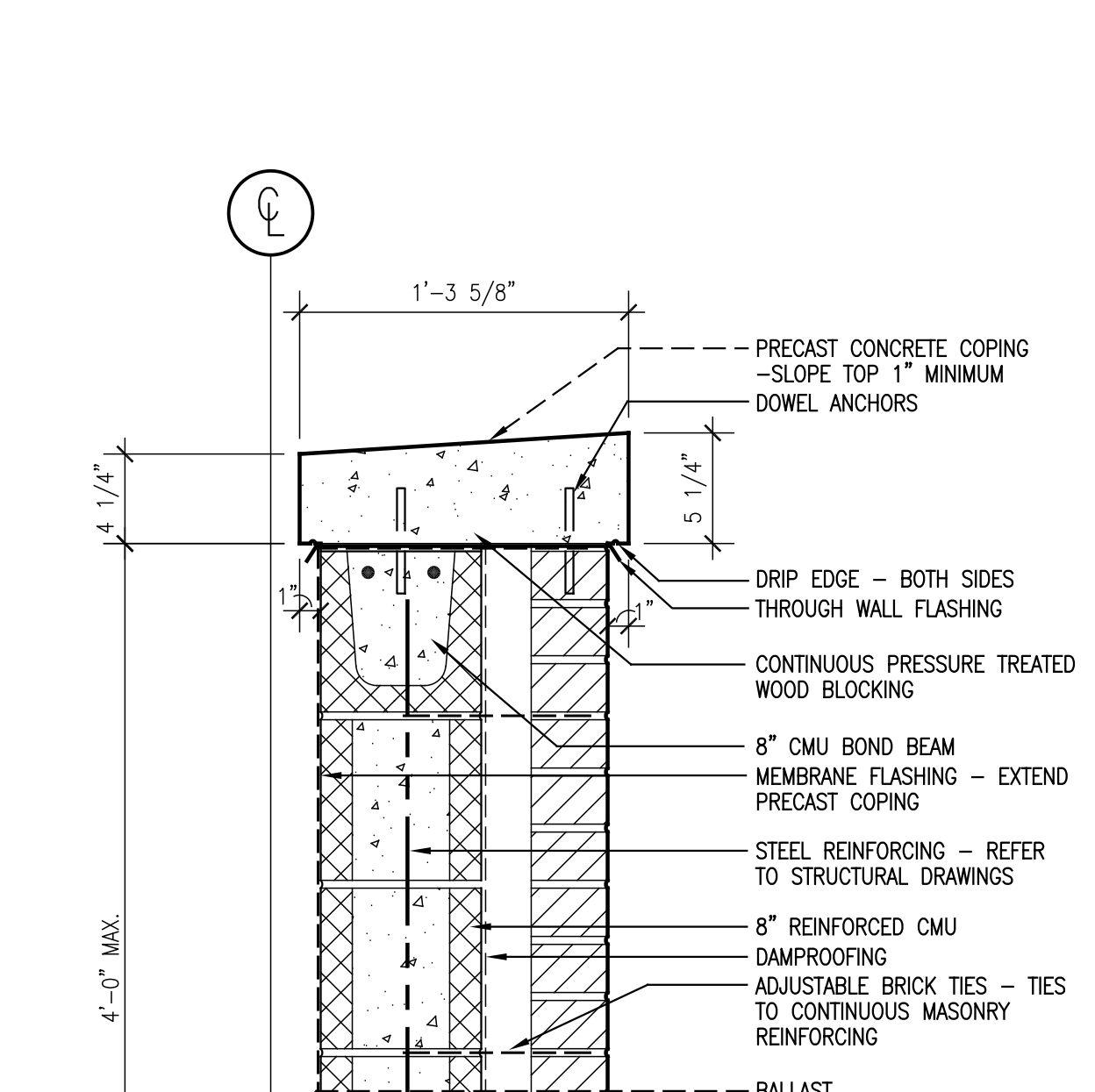
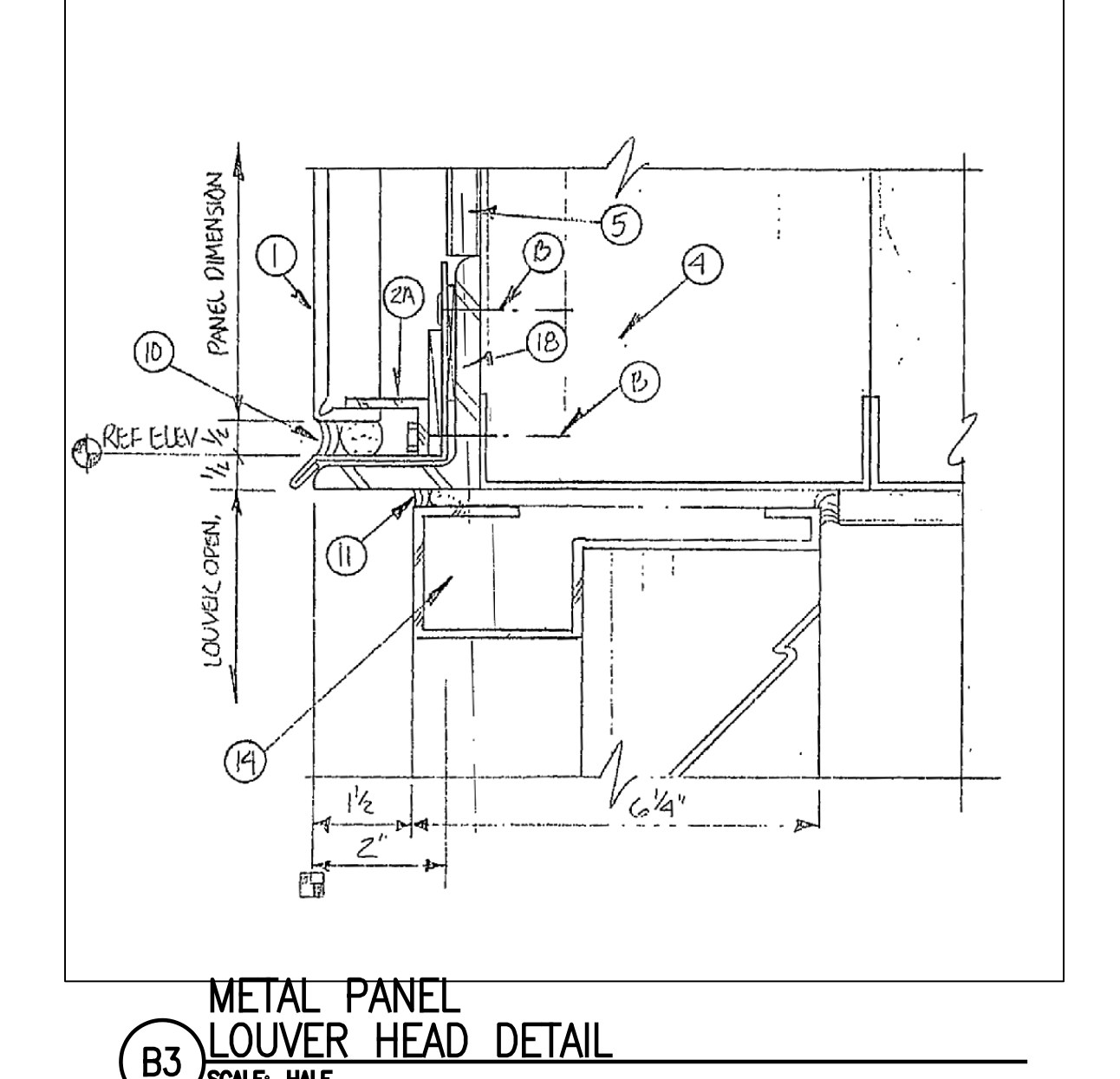
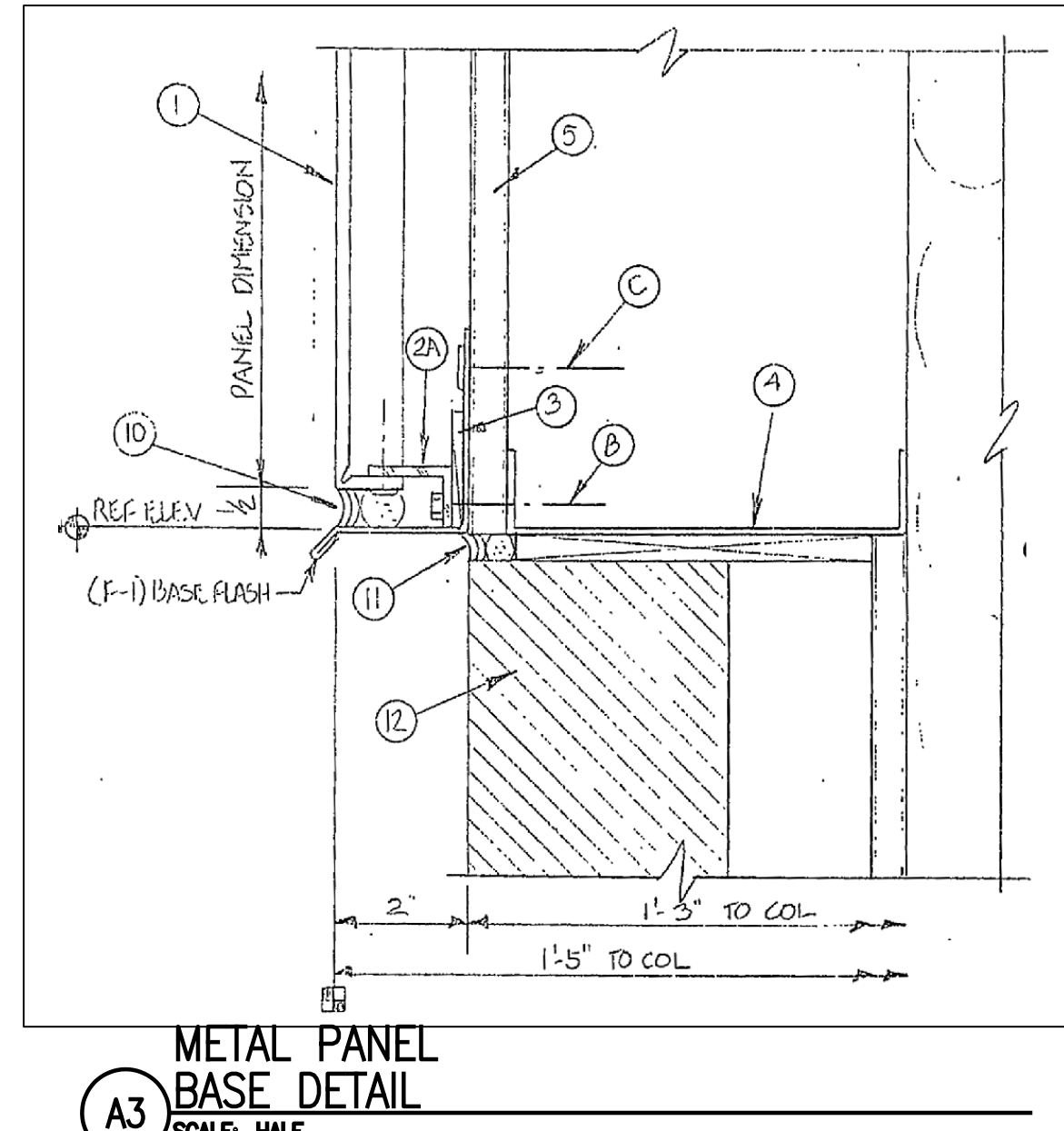
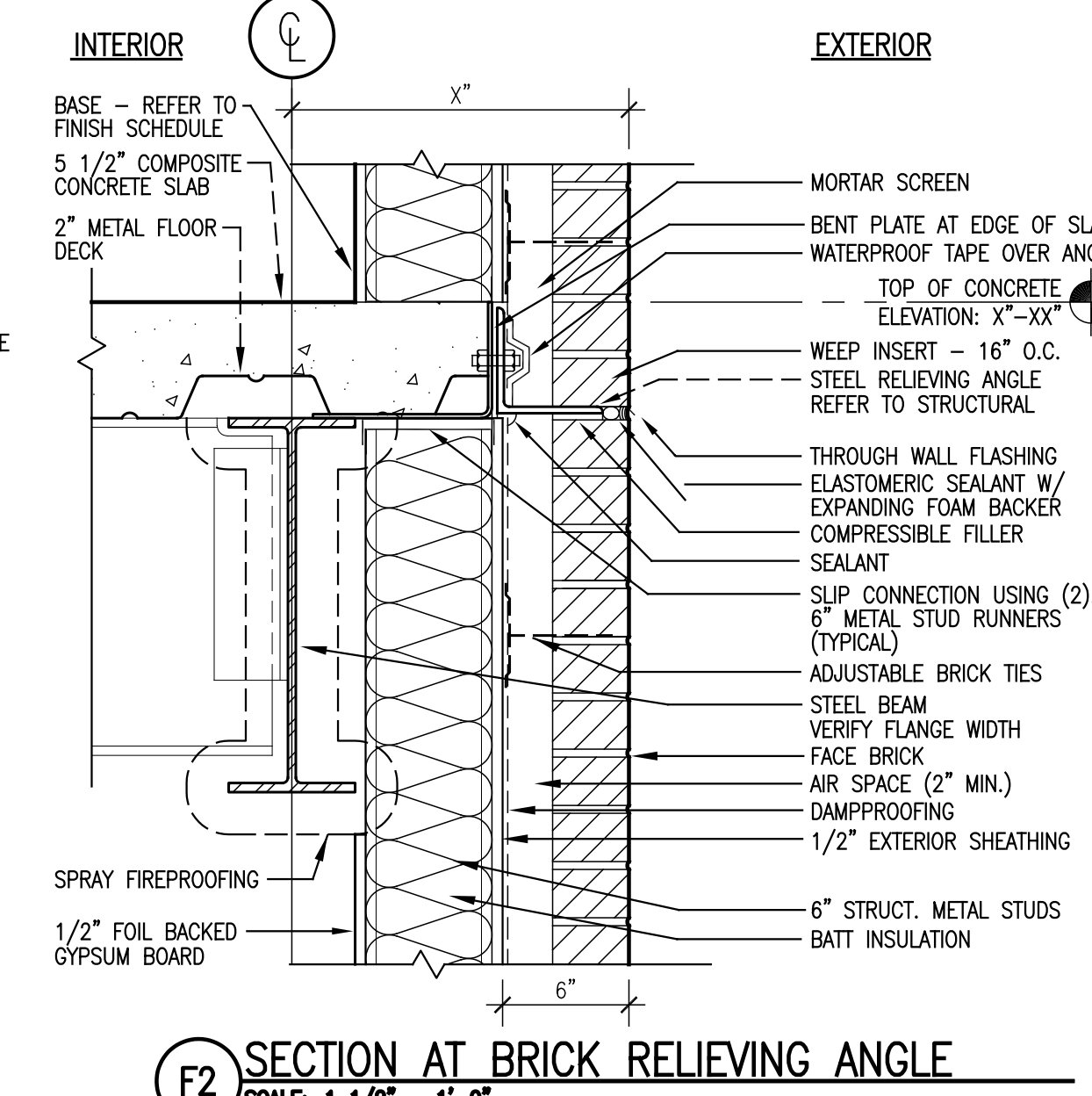
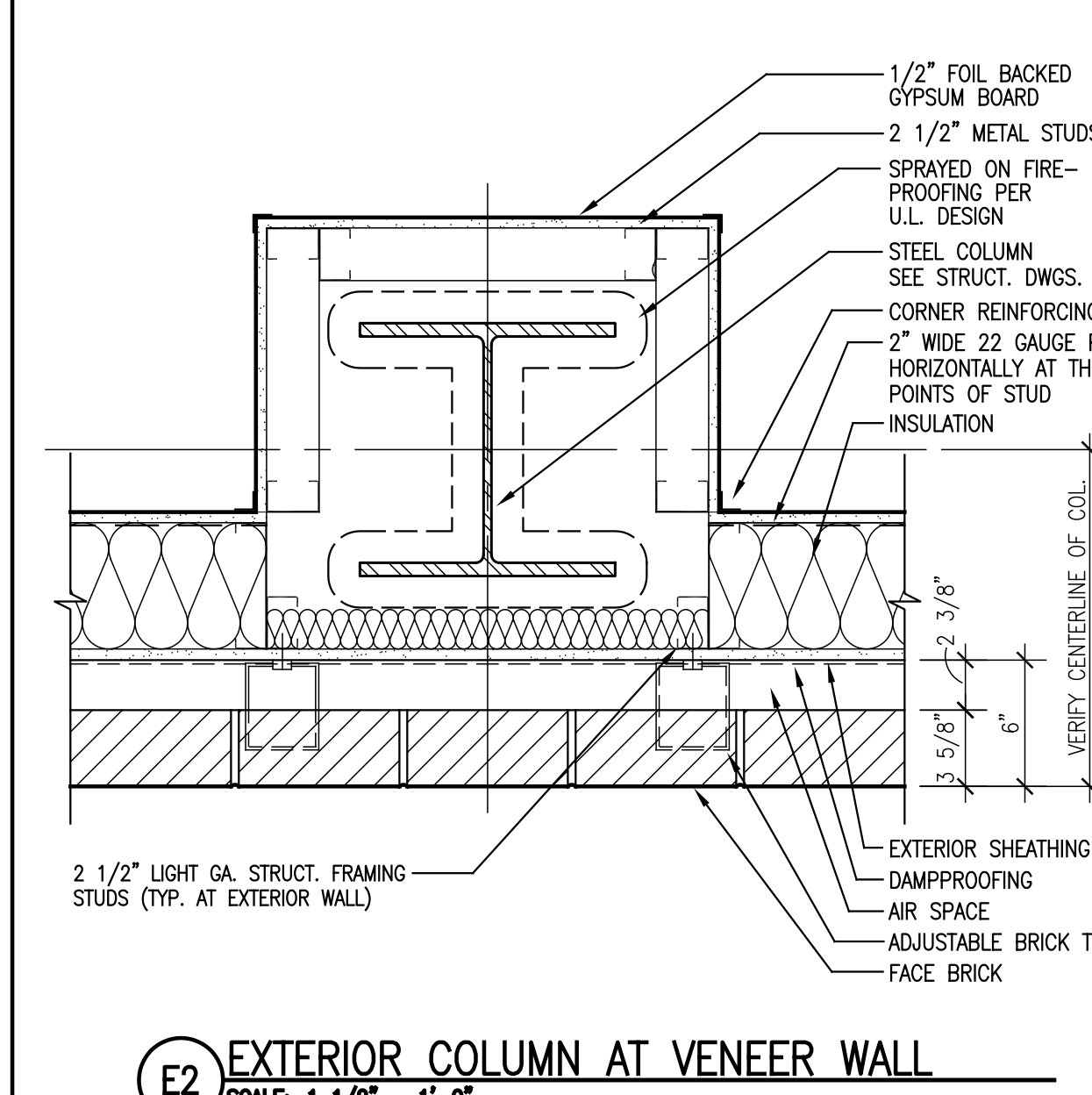
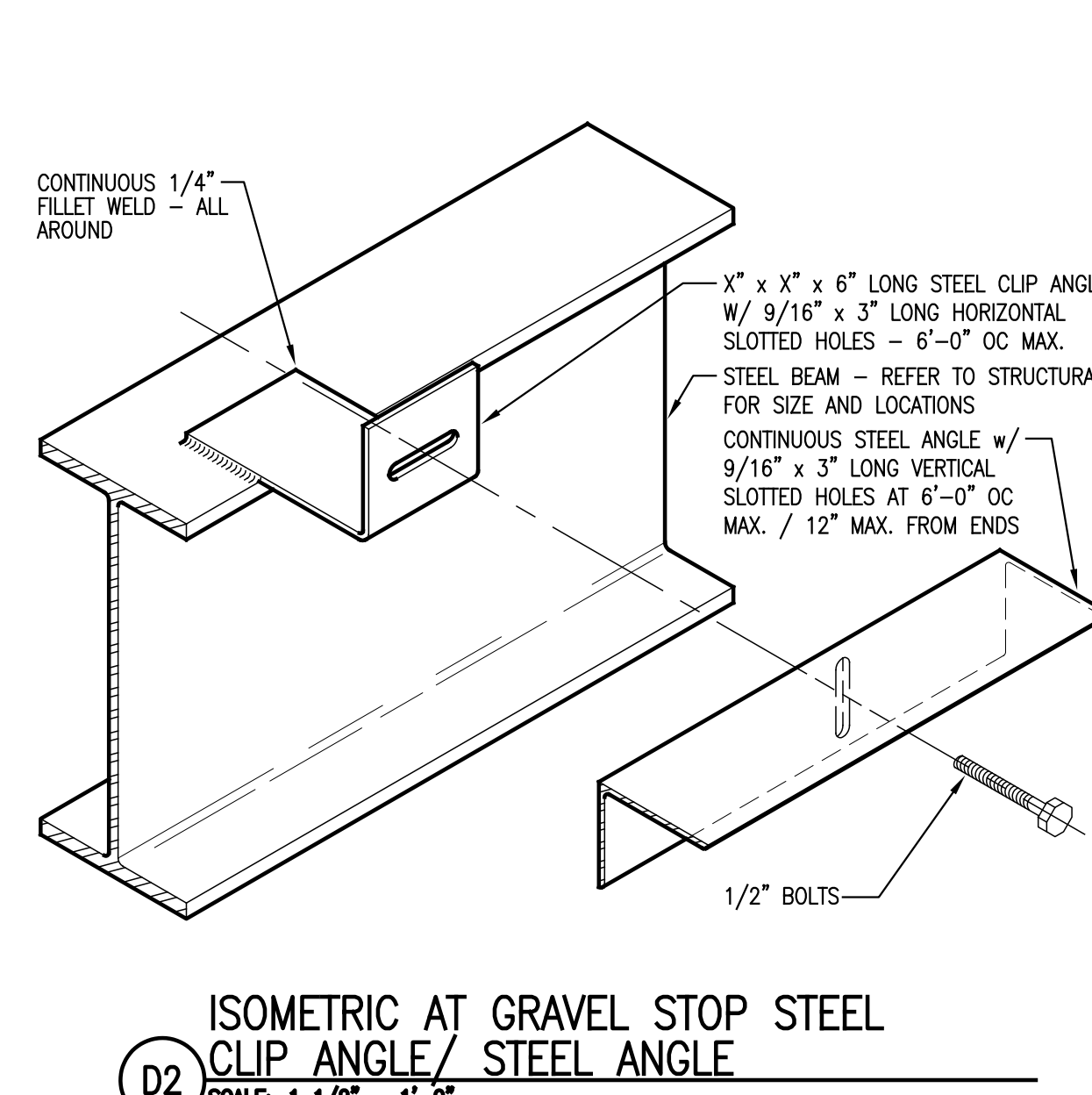
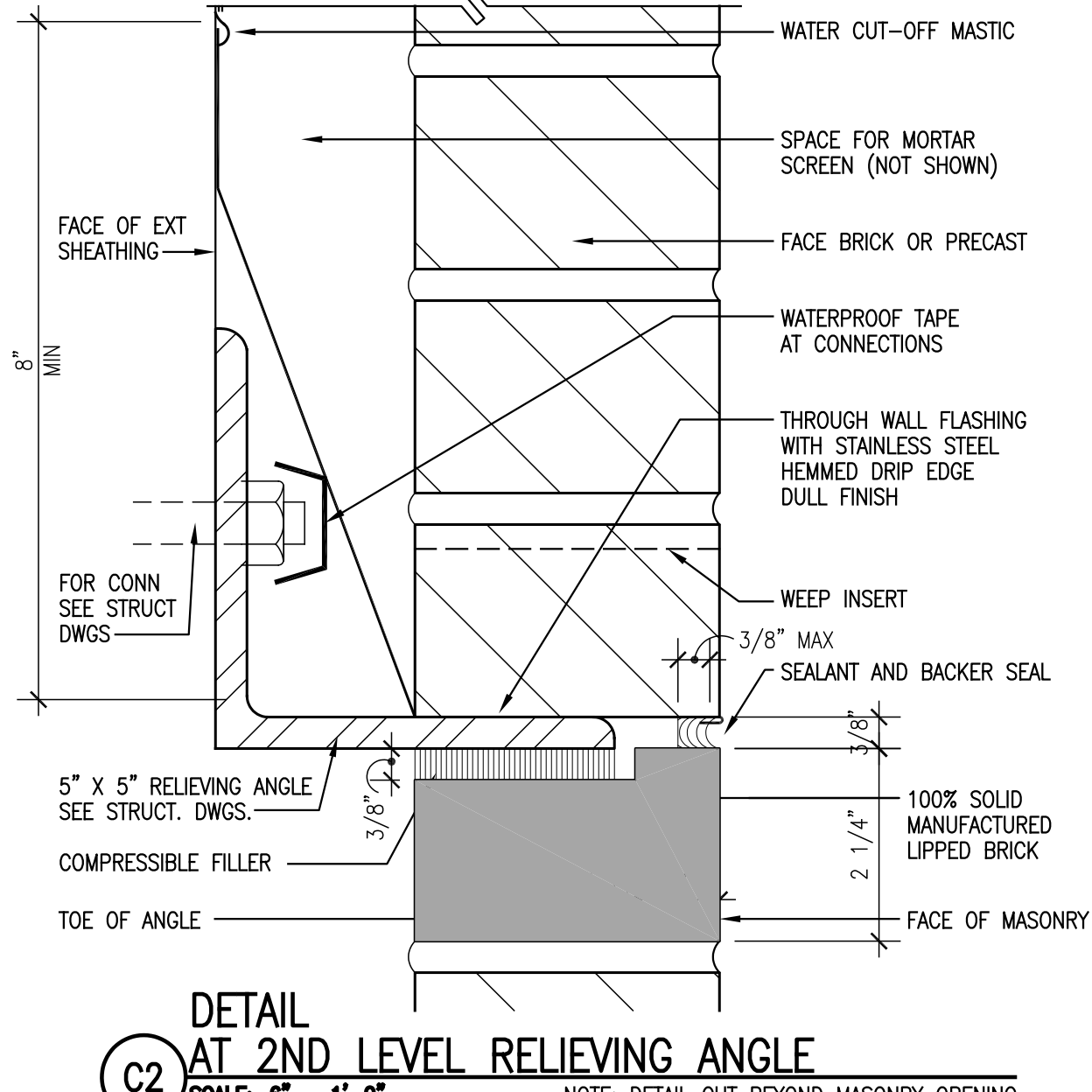
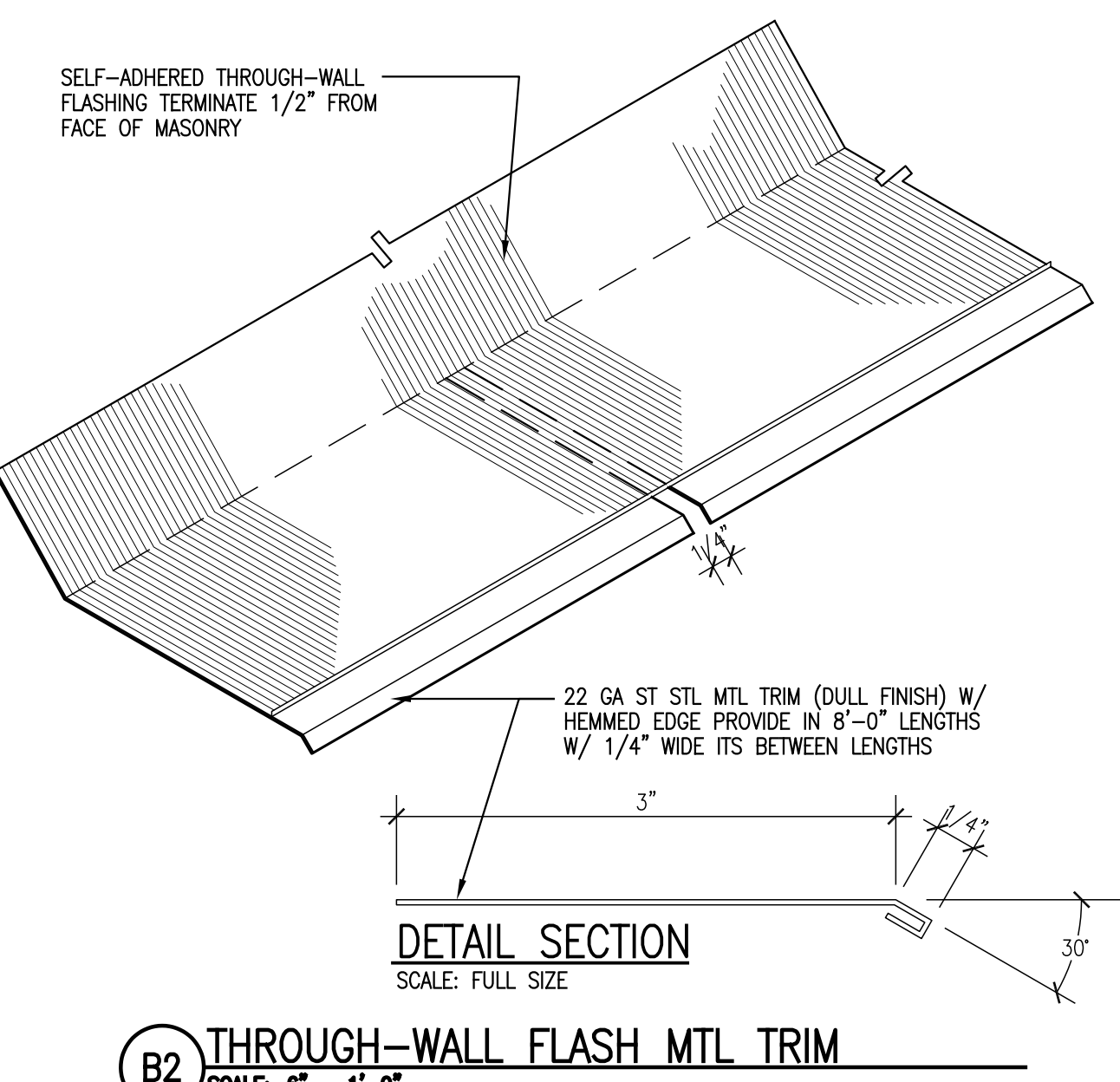
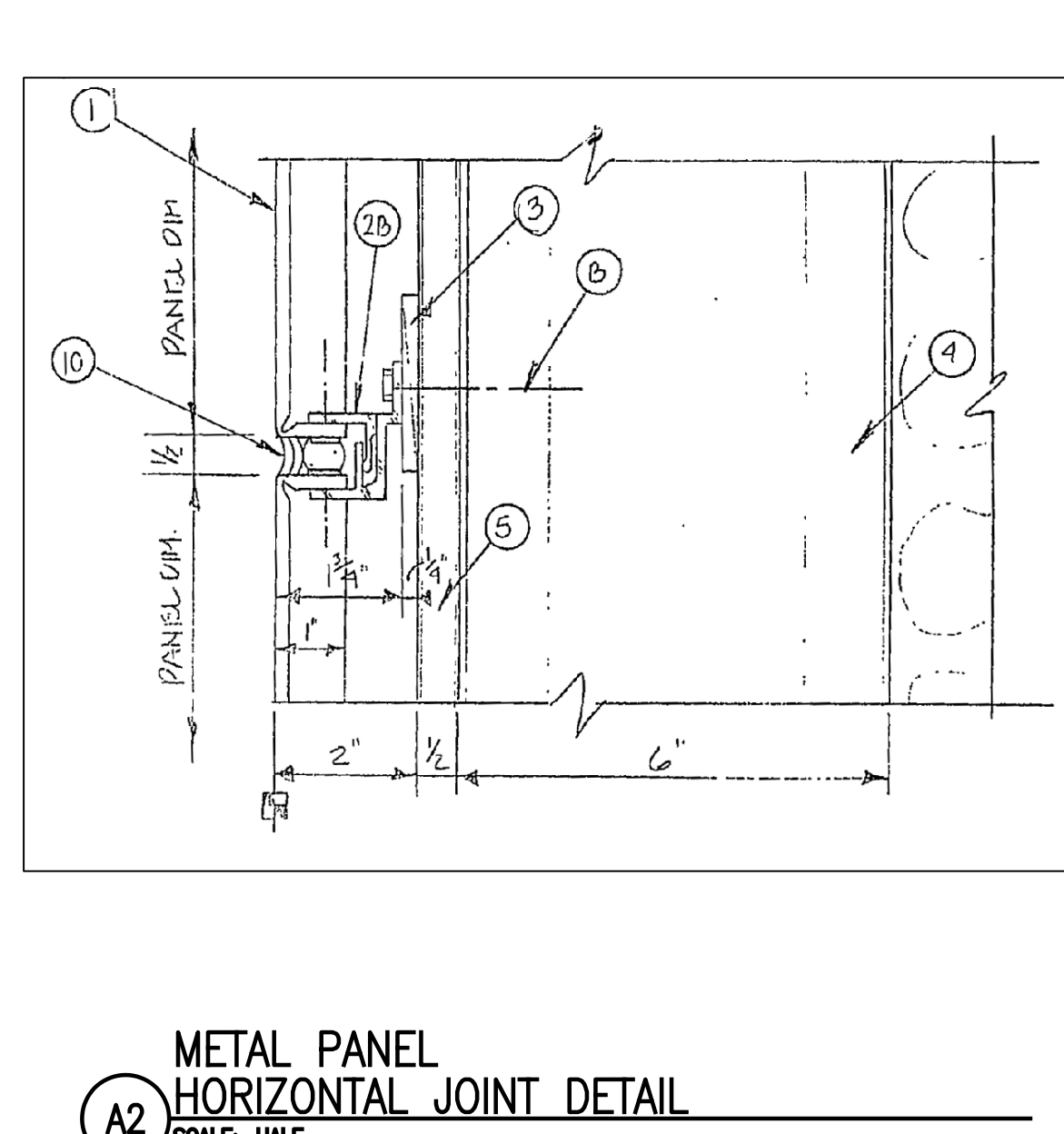
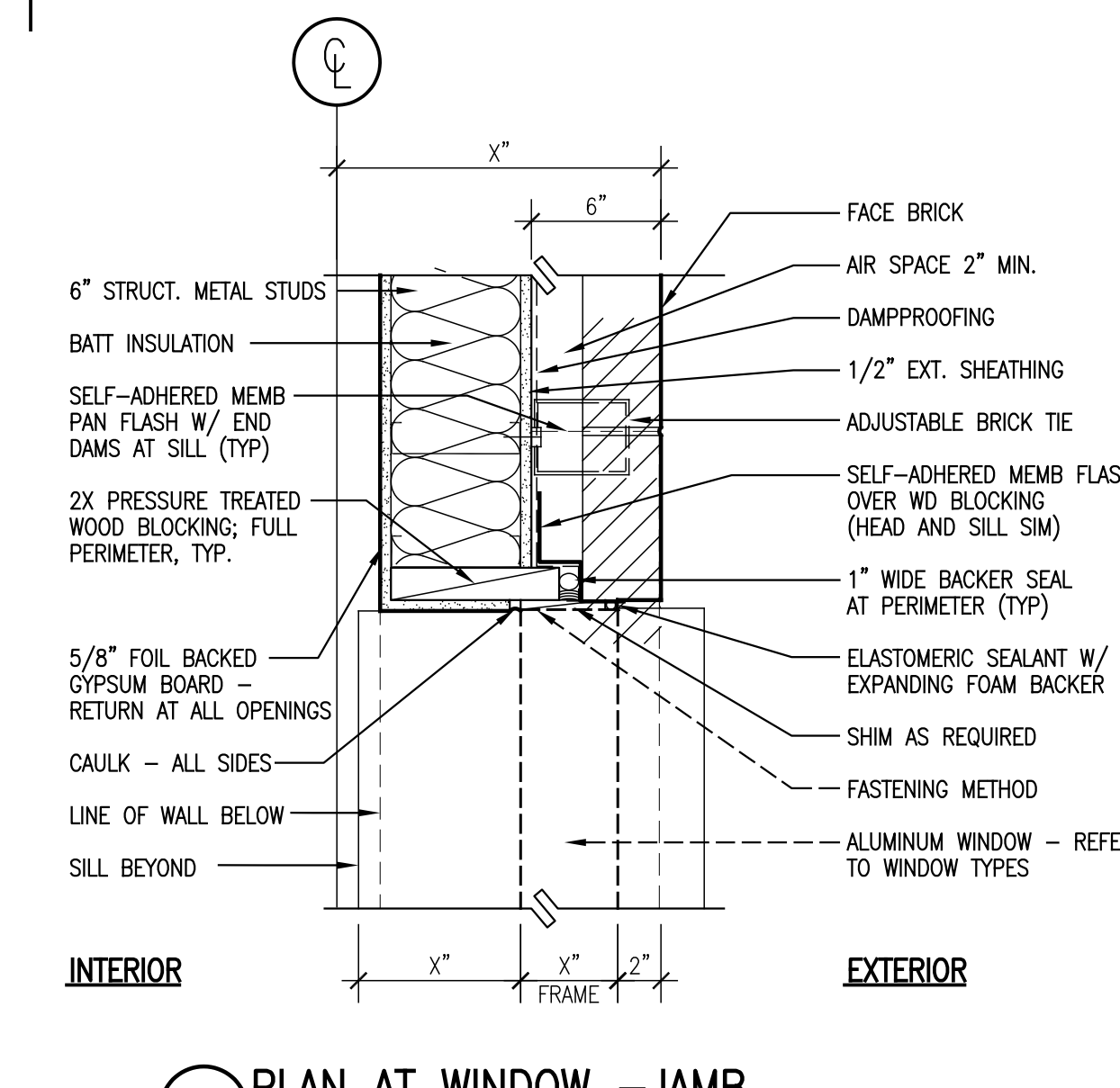
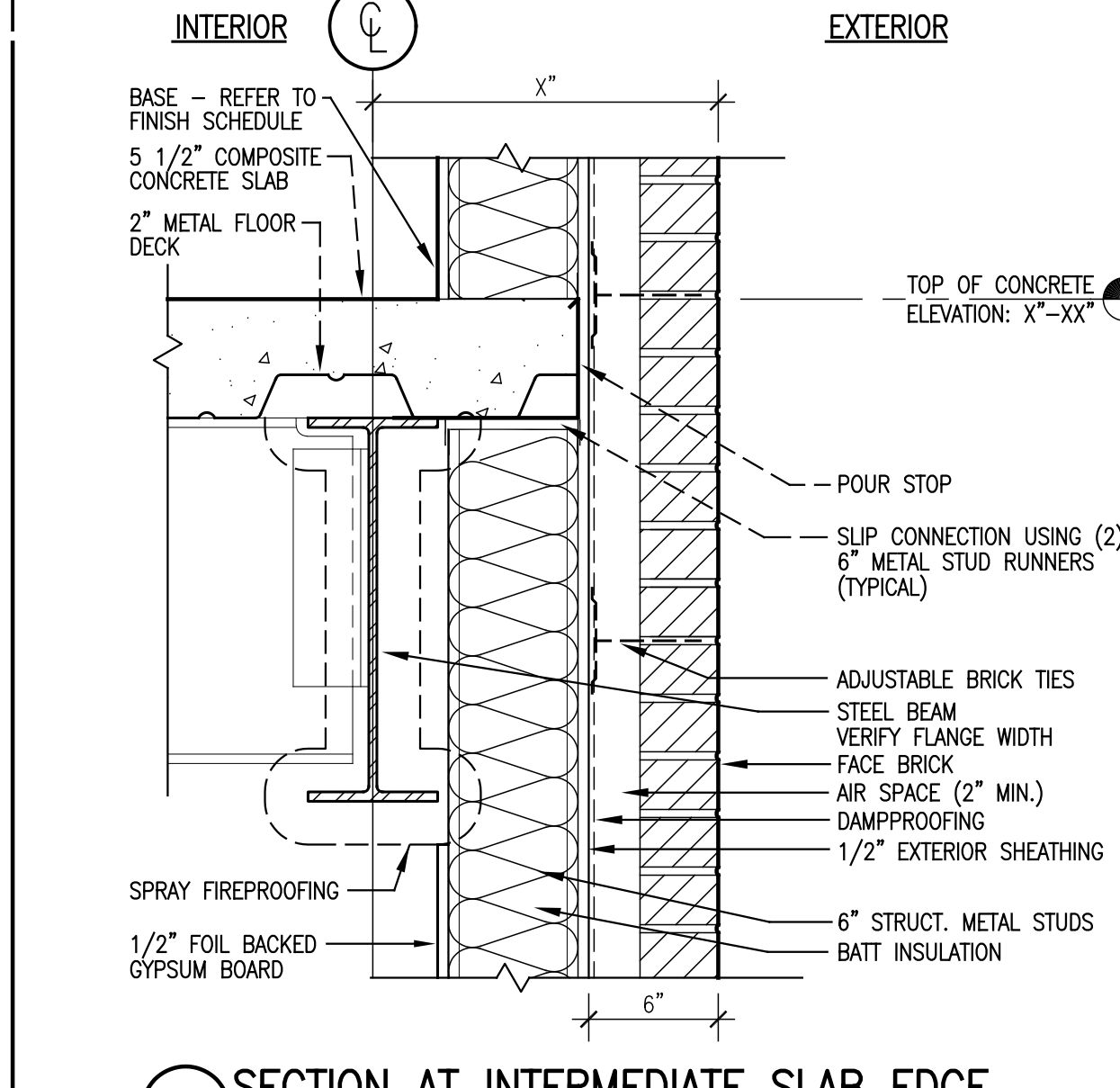
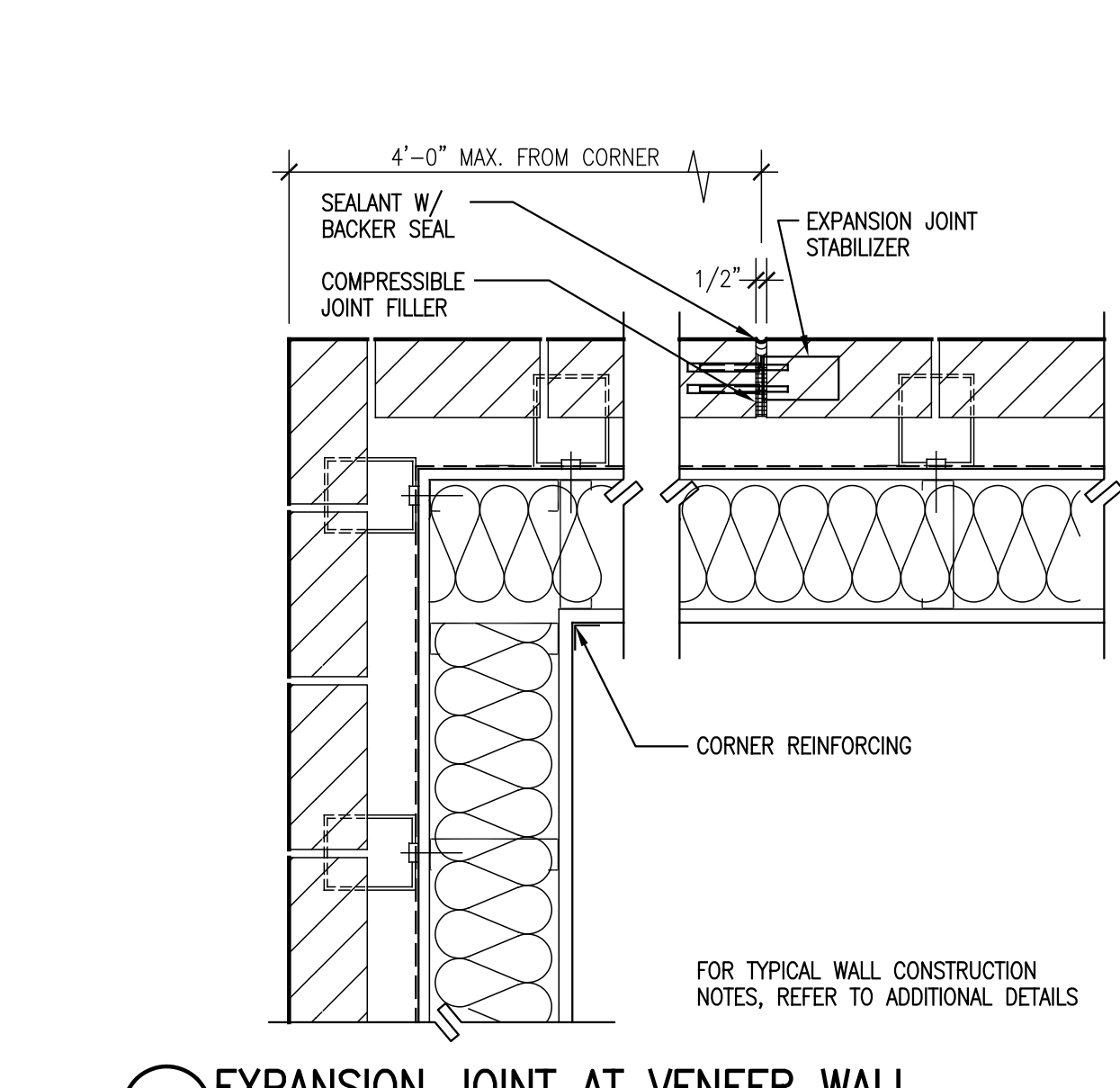
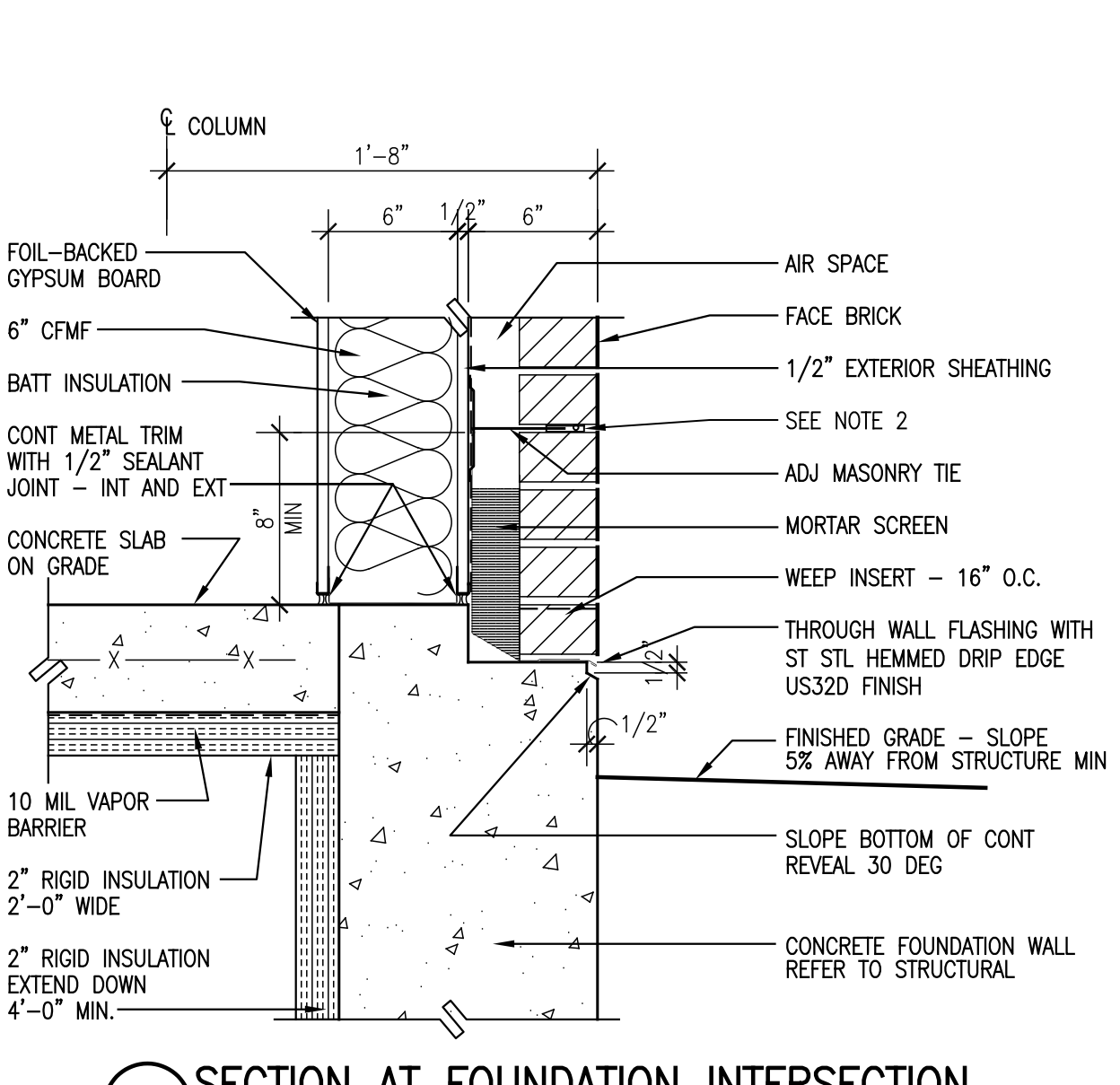


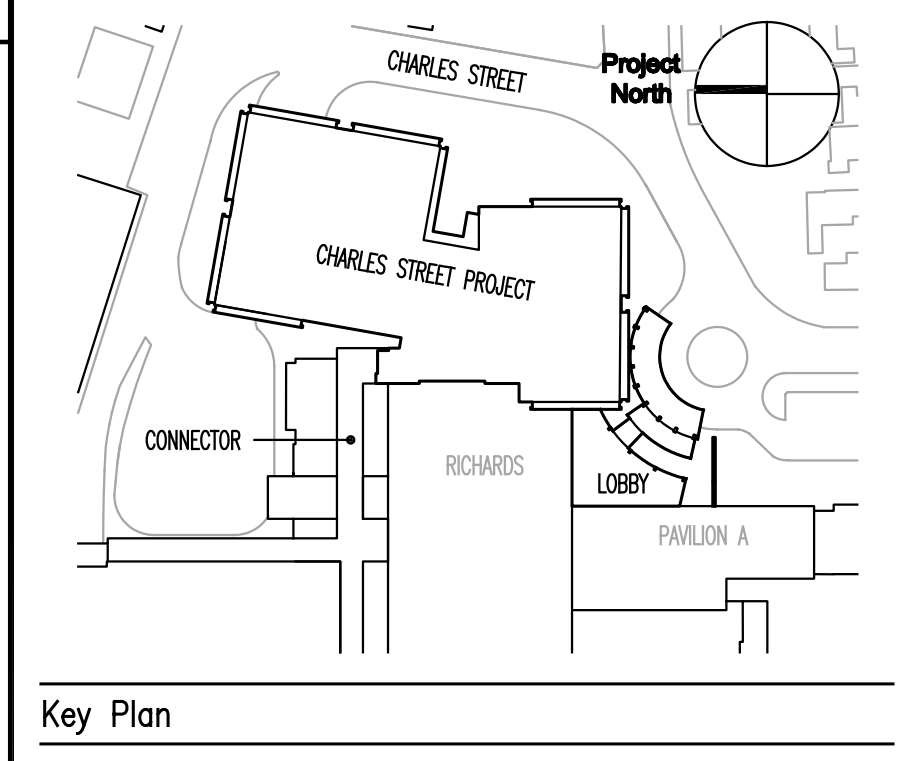
MATERIAL LEGEND
 ALLUOBOND 4MM COMPOSITE PANEL SYSTEM
 1/2" x 3/4" x 1/8" ALUMINUM CONTINUOUS
 ALUMINUM MALE & FEMALE EXTRUSIONS
 SHIM 1/4" AND AS REQ.
 METAL STUDS BY OTHER
 2x2 GWS SHEATHING & MOISTURE BARRIER (B.O.)
 ROOF CORING TRIM BY OTHER
 MEMBRANE FLASHING
 WOOD BLOCKING BY OTHER
 5" ROOF DECKING
 SILICONE SEALANT & ROD BY T.M.A.
 PERIMETER SEALANT BY OTHER
 MASONRY WALL
 CONCRETE CURB
 ALUMINUM LOUVER BY OTHER
 CANOPY SKYLIGHT BY OTHER
 WINDOW SYSTEM BY JEG.
 HOLLOW METAL DOOR BY OTHER
 STRUCTURAL STEEL
 1" DEEP 18GA ZEE GIRL VERT. 16" O.C. @ STUDS



General Notes:

**FOR PERMIT ONLY
 NOT FOR CONSTRUCTION**

MARK ISSUE DATE DESCRIPTION
 PERMIT 09/24/04 PERMIT SET - NOT FOR CONSTRUCTION
 Issue Log



Maine Medical Center
 Charles Street Project
 Portland, Maine MMC Project No. 21841

CONSTRUCTION DETAILS NO. 2

Commission No.	4673	Date Issued	
Scale	AS NOTED	Sheet Number	
Drawn By	JW		
Approved By	TML		
Filename	4673AS16.dwg		
Copyright	© 2004	The Maine Corporation	

A516