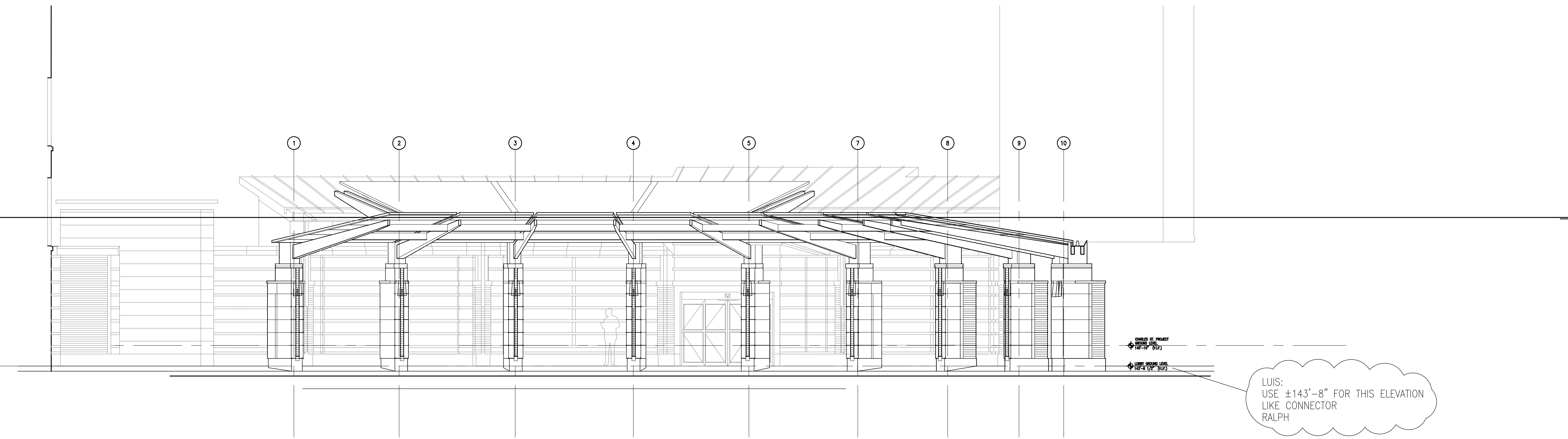
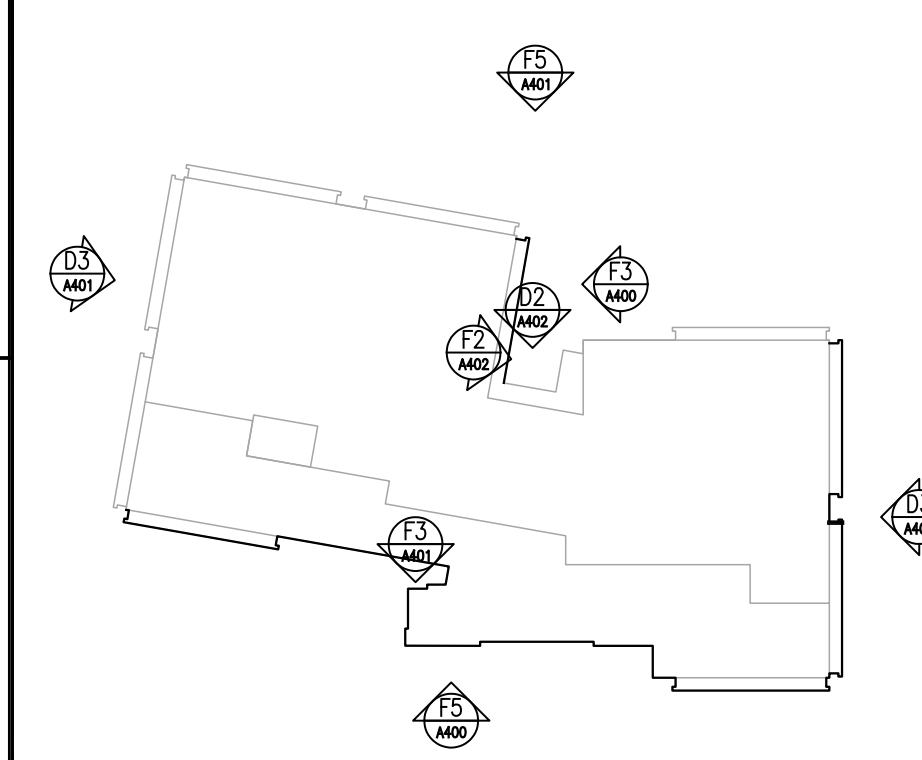


General Notes:
 1. SEE ELECTRICAL DRAWINGS FOR ADDITIONAL LIGHT FIXTURES LOCATIONS

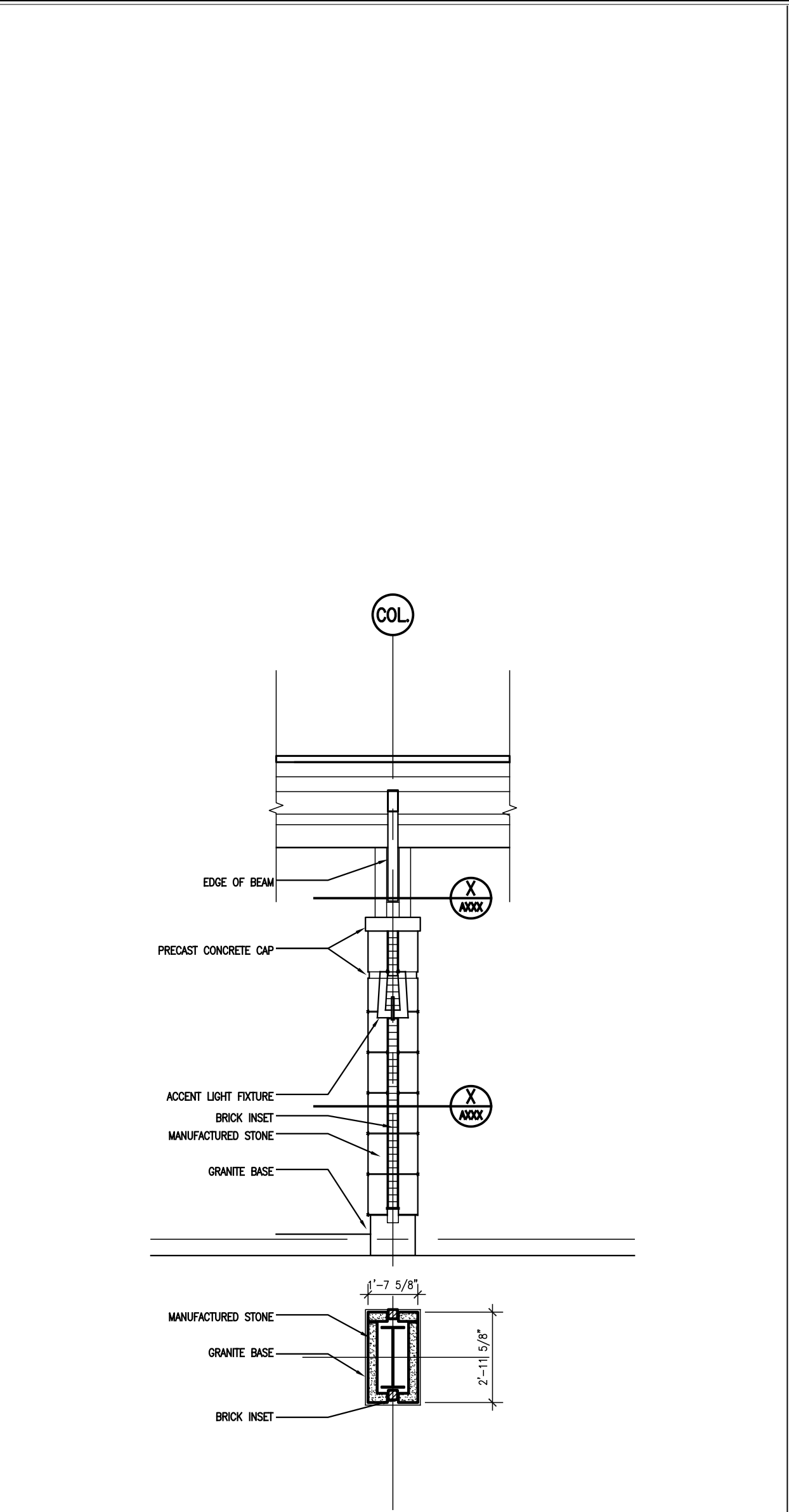


A2 LOBBY EXTERIOR ELEVATION
 SCALE: 1/4" = 1'-0"

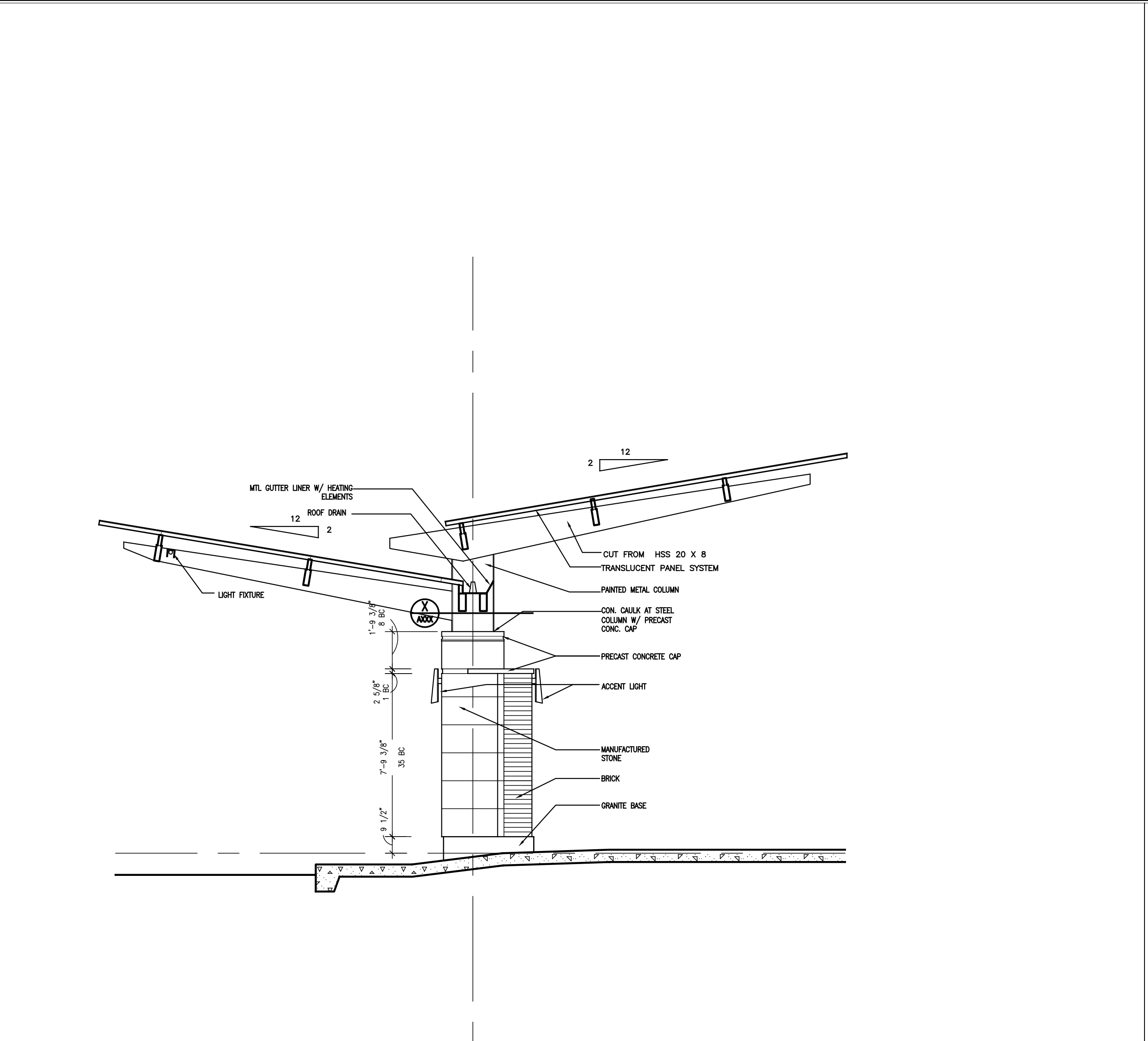


FOR PERMIT ONLY
 NOT FOR CONSTRUCTION

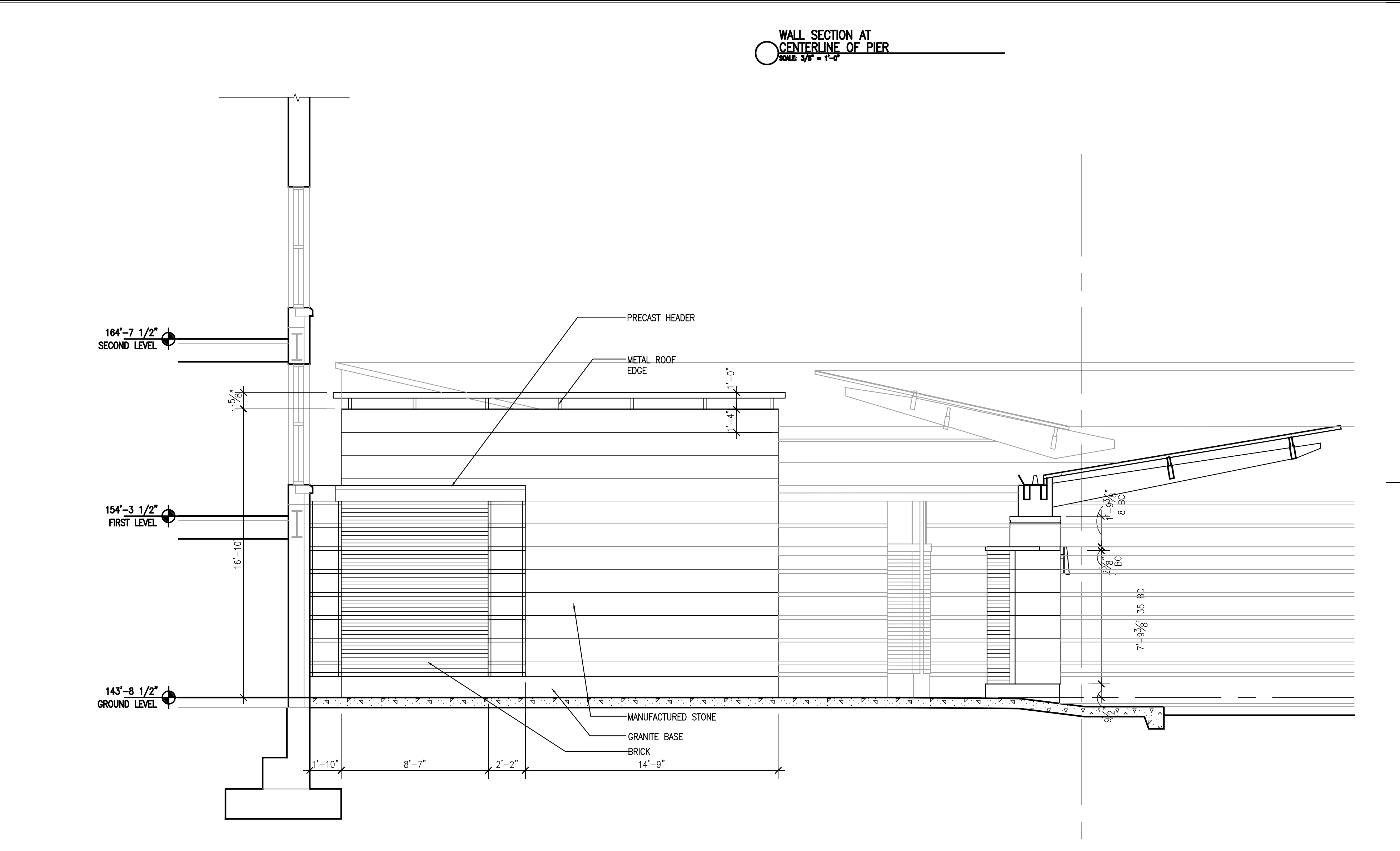
MARK ISSUE DATE DESCRIPTION
 PERMIT 09/24/04 PERMIT SET - NOT FOR CONSTRUCTION
 Issue Log



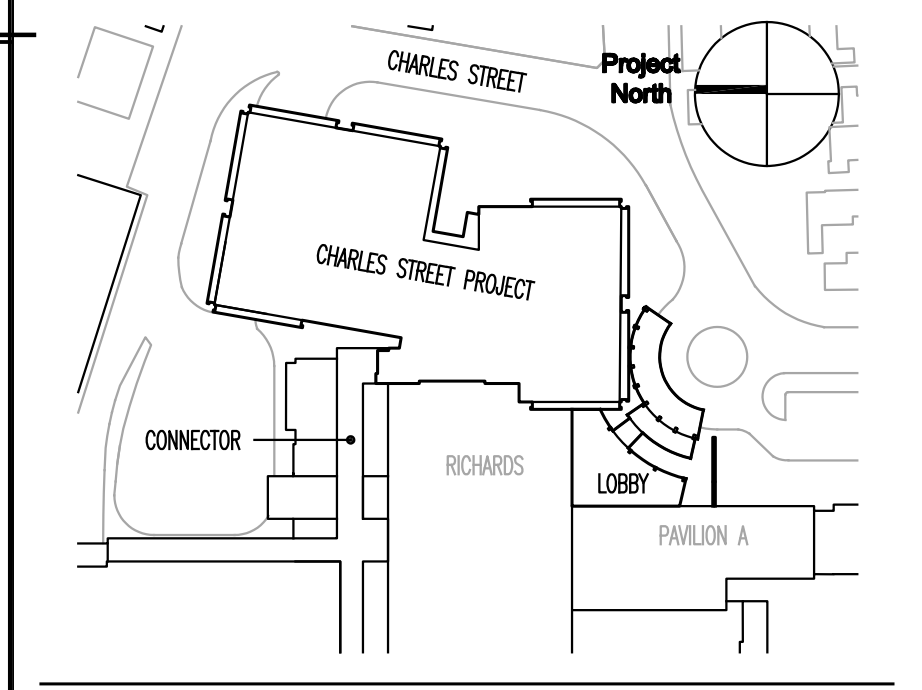
A5 CANOPY COLUMN FRONT ELEVATION & PLAN VIEW
 SCALE: 1/4" = 1'-0"



B5 CANOPY SECTION
 SCALE: 1/4" = 1'-0"



D5 LOBBY EXTERIOR WALL ELEVATION
 SCALE: 1/4" = 1'-0"



Key Plan

TRO
 ARCHITECTURE
 PLANNING
 ENGINEERING
 INTERIOR DESIGN
 The Ritchie Organization
 80 Bridge Street
 Newton, MA 02459-1156
 617-552-9100

Maine Medical Center
 Charles Street Project
 Portland, Maine MMC Project No. 21841

Drawing Title
CANOPY ELEVATIONS

0' 4' 8' 16' 32'

Commission No. 4673 Date Issued
 Scale 1/8" = 1'-0" Sheet Number
 Drawn By LR
 Approved By
 Filmmemo 4673M400.dwg
 Copyright © 2004 The Ritchie Organization

A404