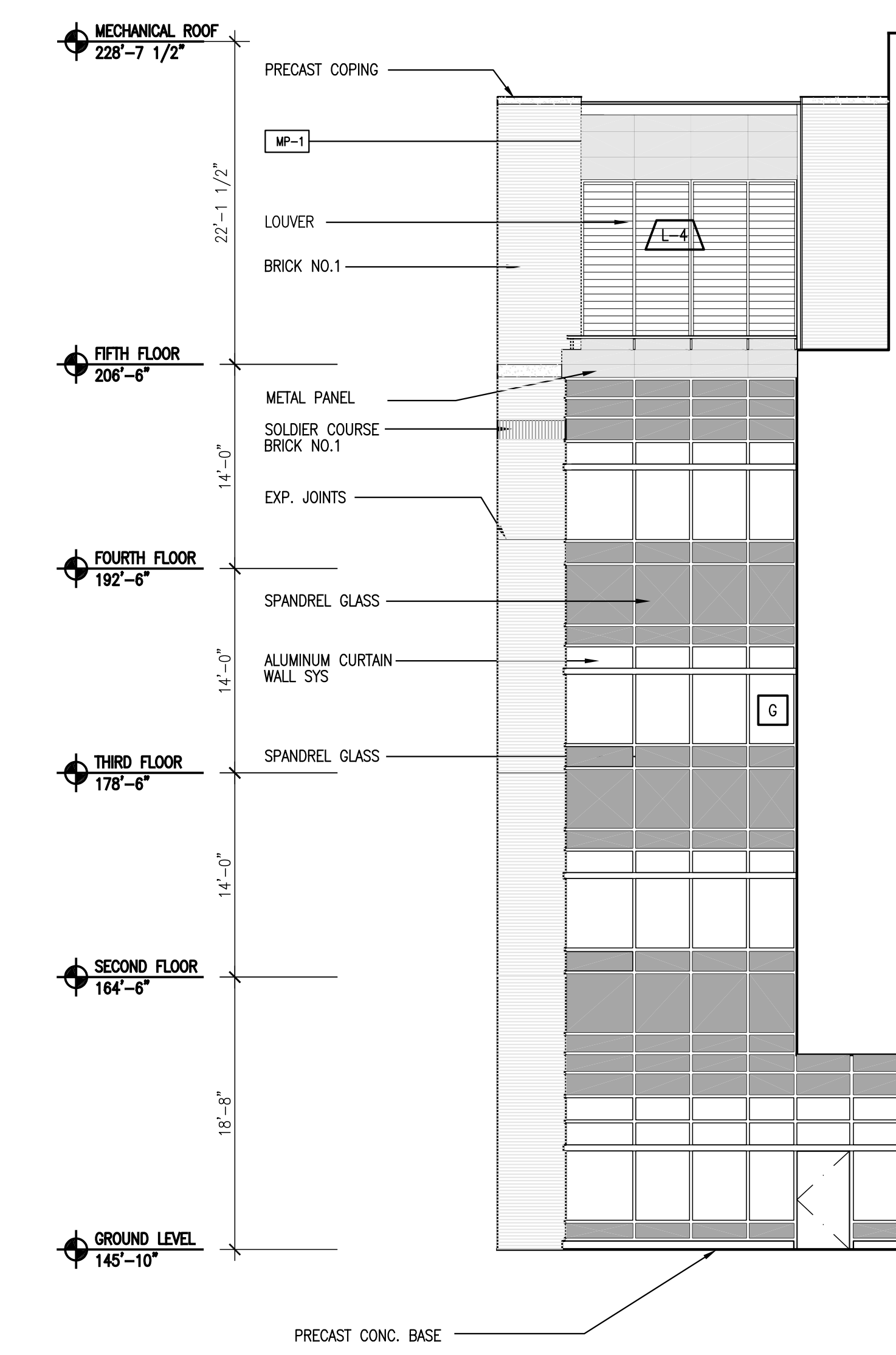
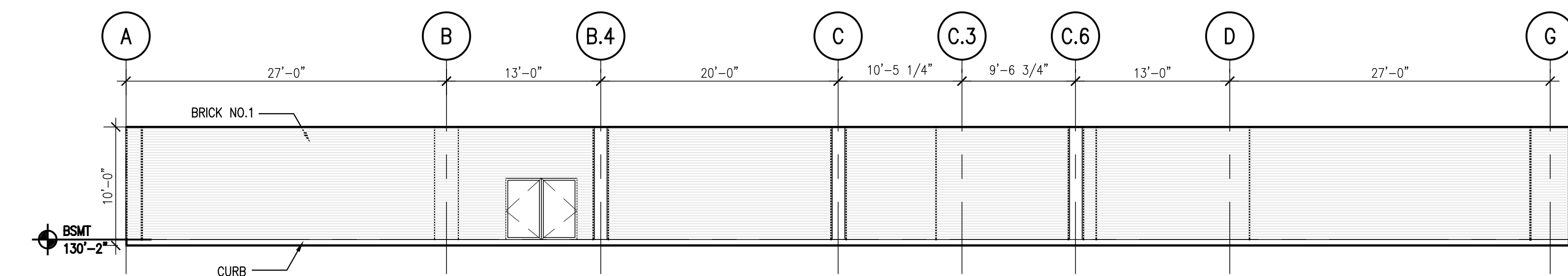


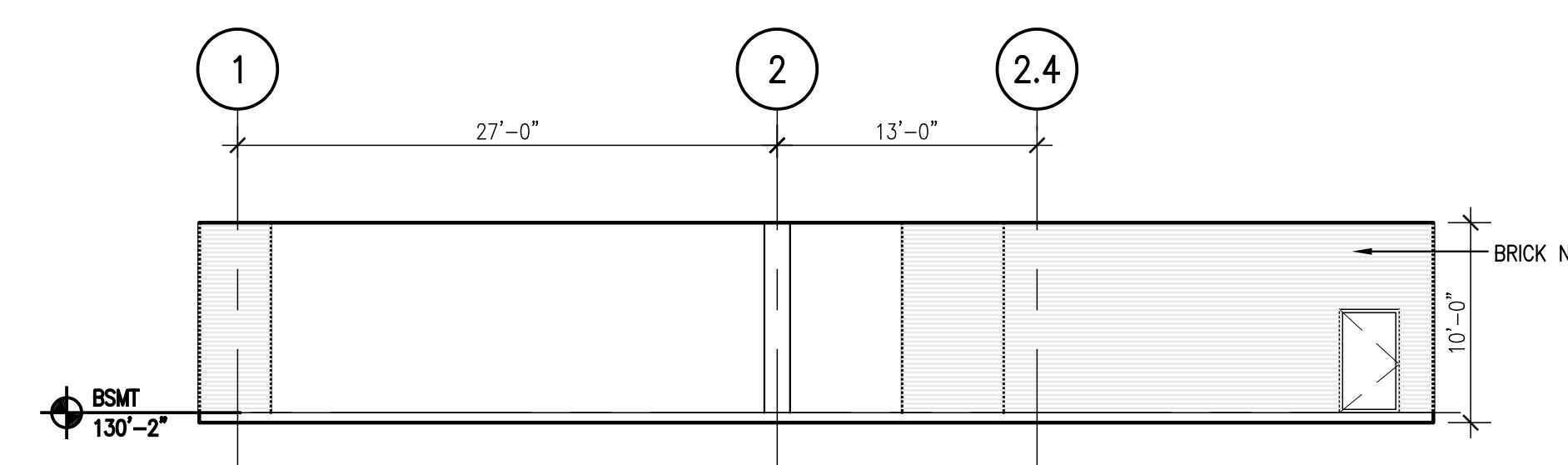
D2 PARTIAL EAST ELEVATION
SCALE: 1/8" = 1'-0"



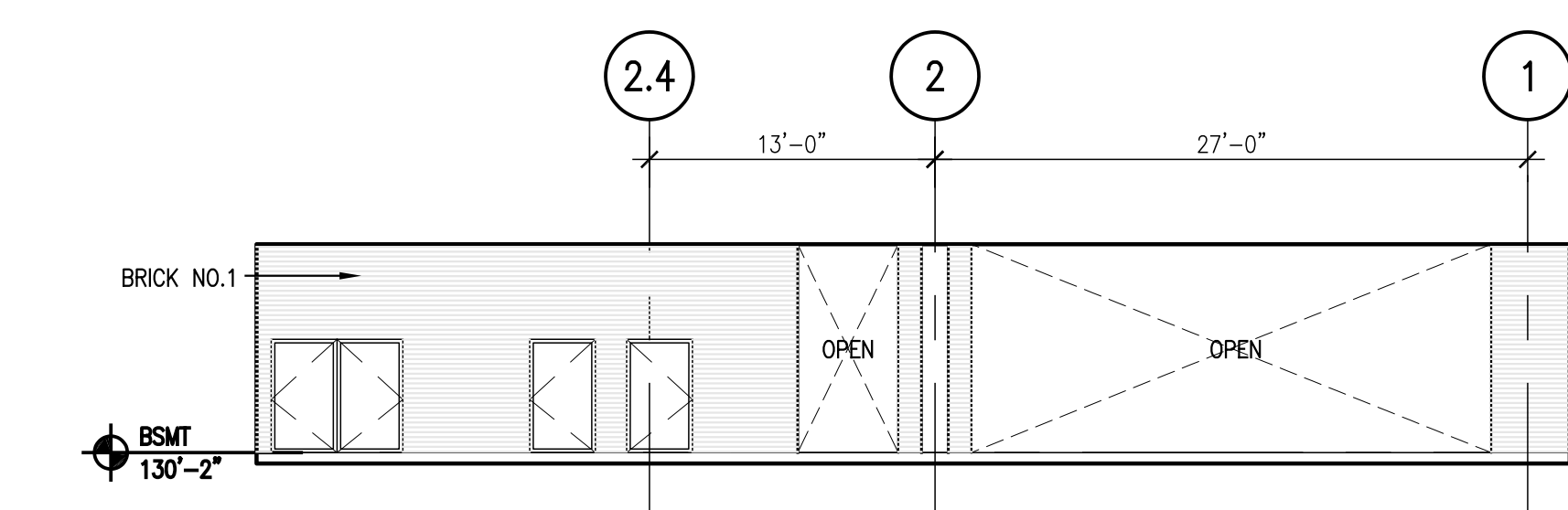
F2 PARTIAL NORTH ELEVATION
SCALE: 1/8" = 1'-0"



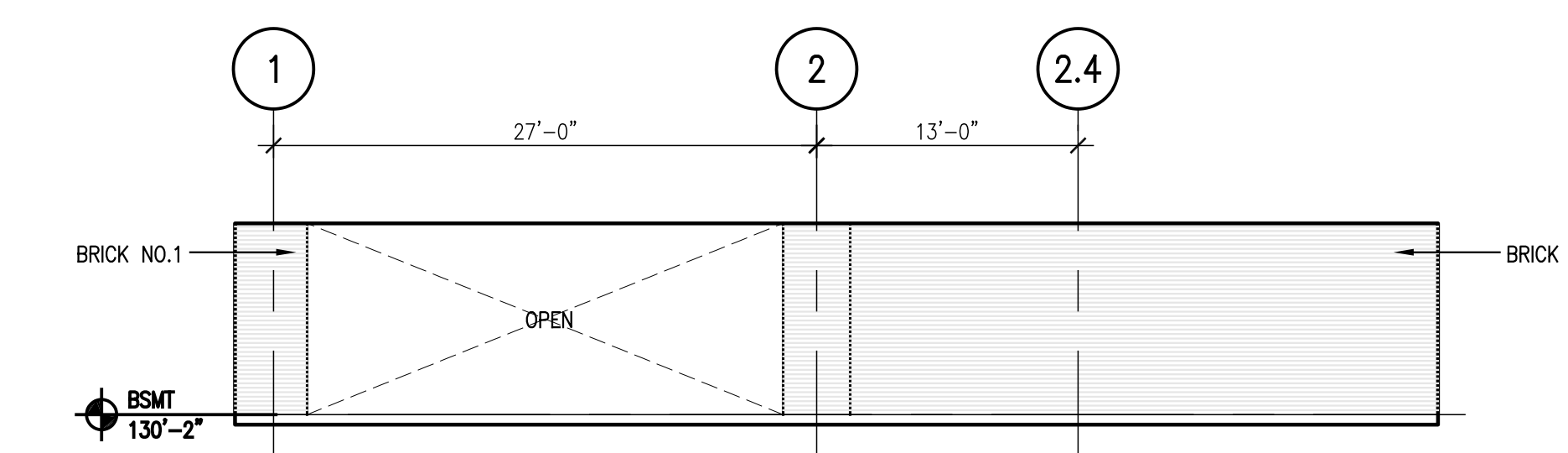
F3 PARTIAL NORTH ELEVATION AT BASEMENT
SCALE: 1/8" = 1'-0"



E4 PARTIAL EAST ELEVATION AT BASEMENT
SCALE: 1/8" = 1'-0"

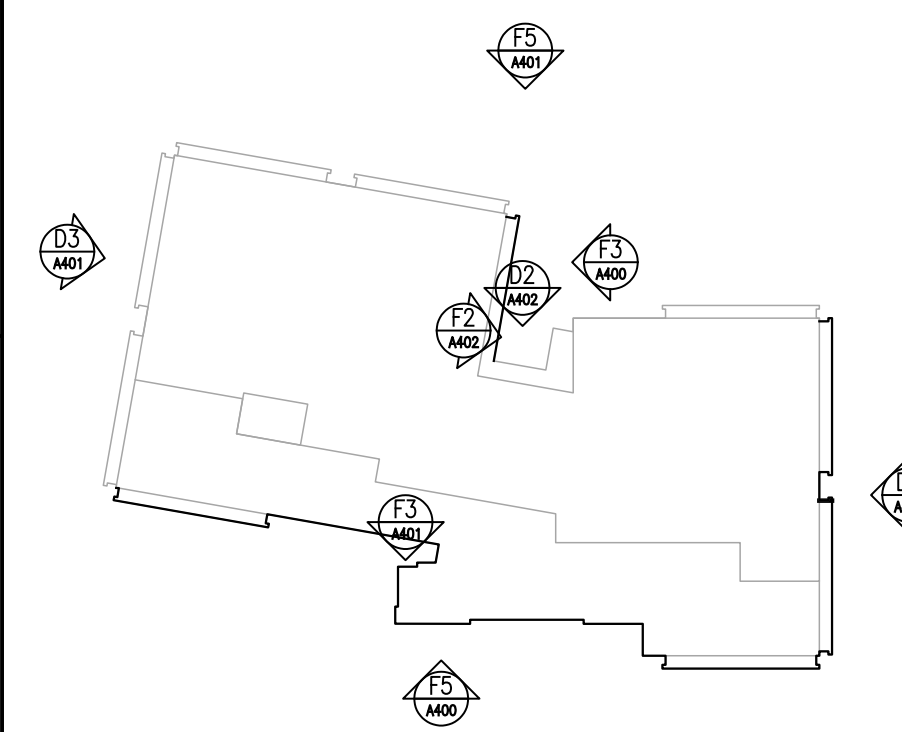


F4 PARTIAL WEST ELEVATION AT BASEMENT
SCALE: 1/8" = 1'-0"

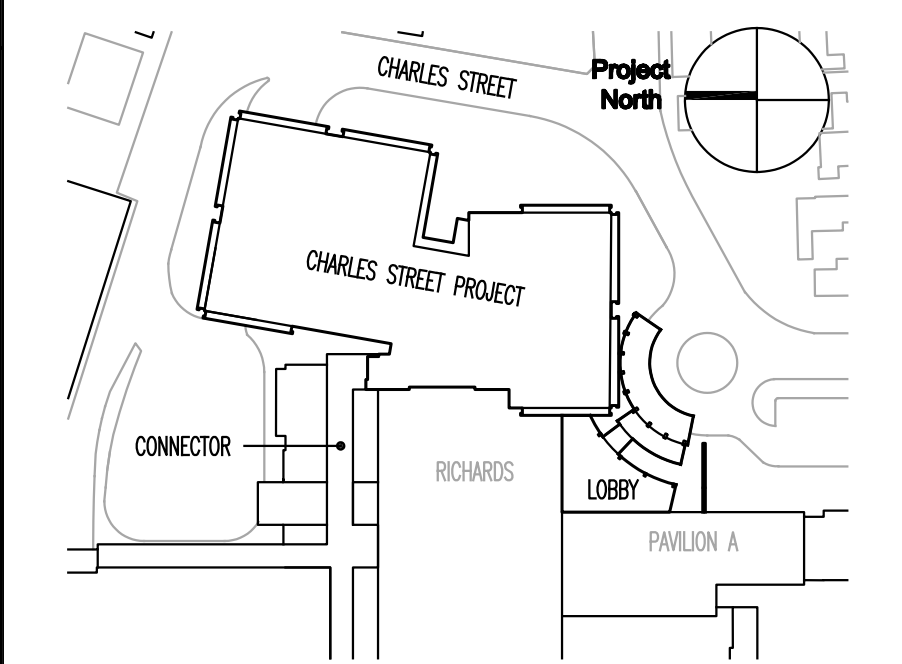


F5 PARTIAL EAST ELEVATION AT BASEMENT
SCALE: 1/8" = 1'-0"

General Notes:
1. SEE ELECTRICAL DRAWINGS FOR ADDITIONAL LIGHT FIXTURES LOCATIONS



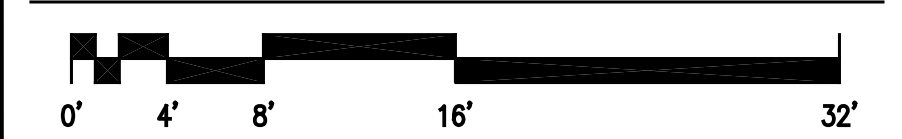
MARK ISSUE DATE DESCRIPTION
**FOR PERMIT ONLY
NOT FOR CONSTRUCTION**
PERMIT 09/24/04 PERMIT SET - NOT FOR CONSTRUCTION
Issue Log



Key Plan
TRO
ARCHITECTURE
PLANNING
ENGINEERING
INTERIOR DESIGN
The Ritchie Organization
80 Bridge Street
Newton, MA 02459-1194
817-999-9100

Maine Medical Center
Charles Street Project
Portland, Maine MMC Project No. 21841

Drawing Title
**SOUTH AND WEST
EXTERIOR ELEVATIONS**



Commission No. 4673 Date Issued
Scale 1/8" = 1'-0" Sheet Number
Drawn By LR
Approved By TML
Filename 4673A402.dwg
Copyright © 2004 The Ritchie Organization
A402