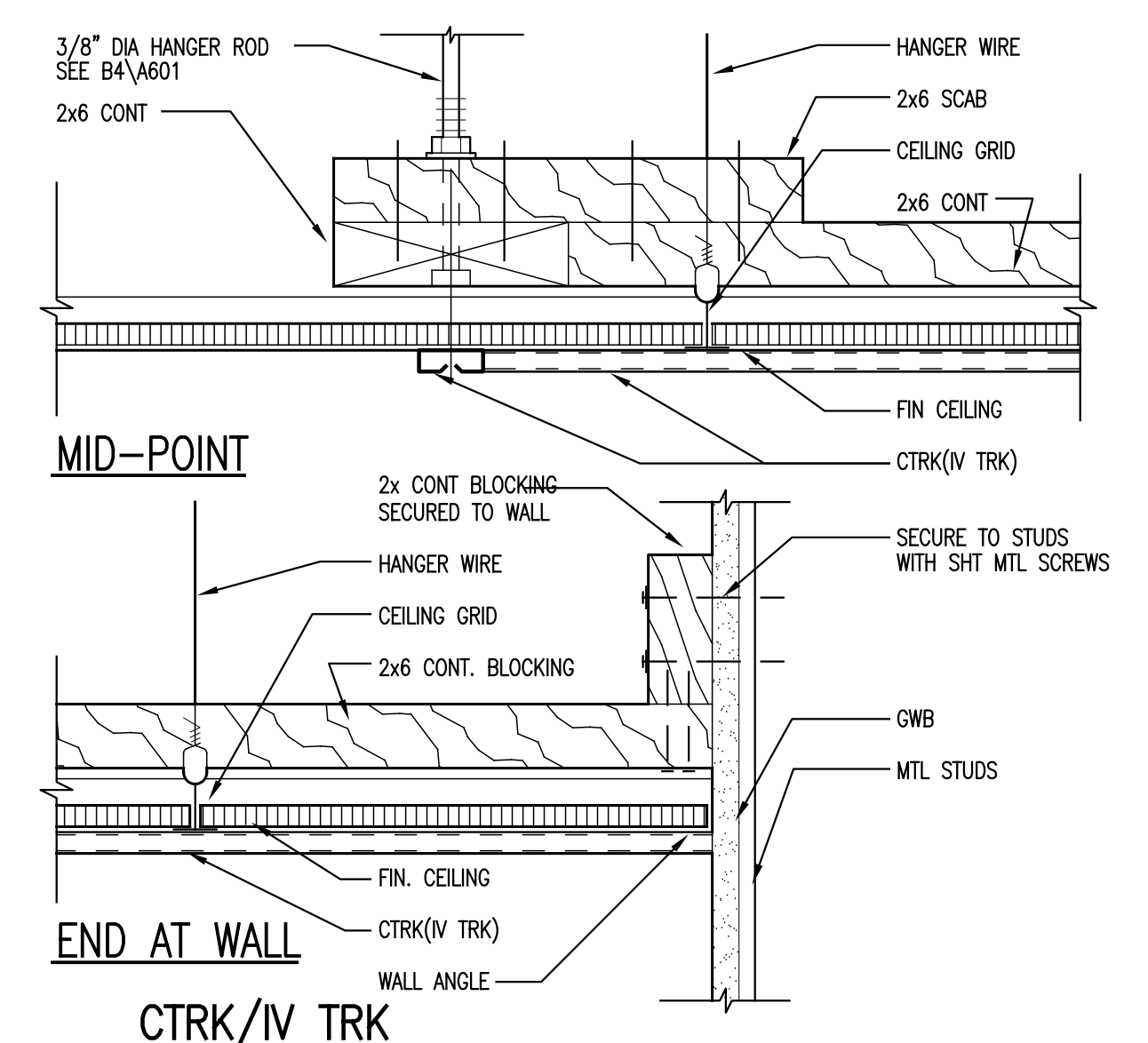
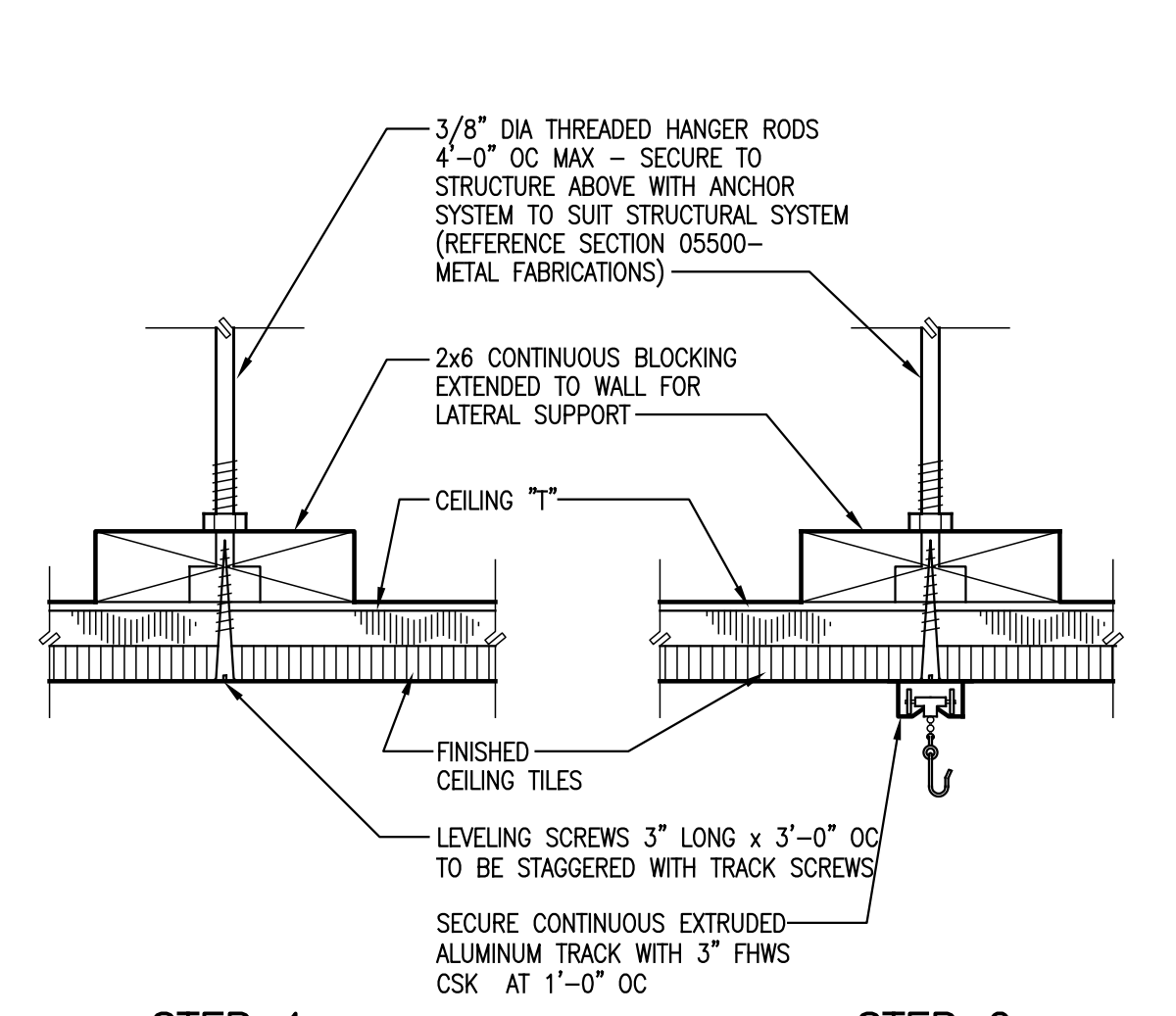


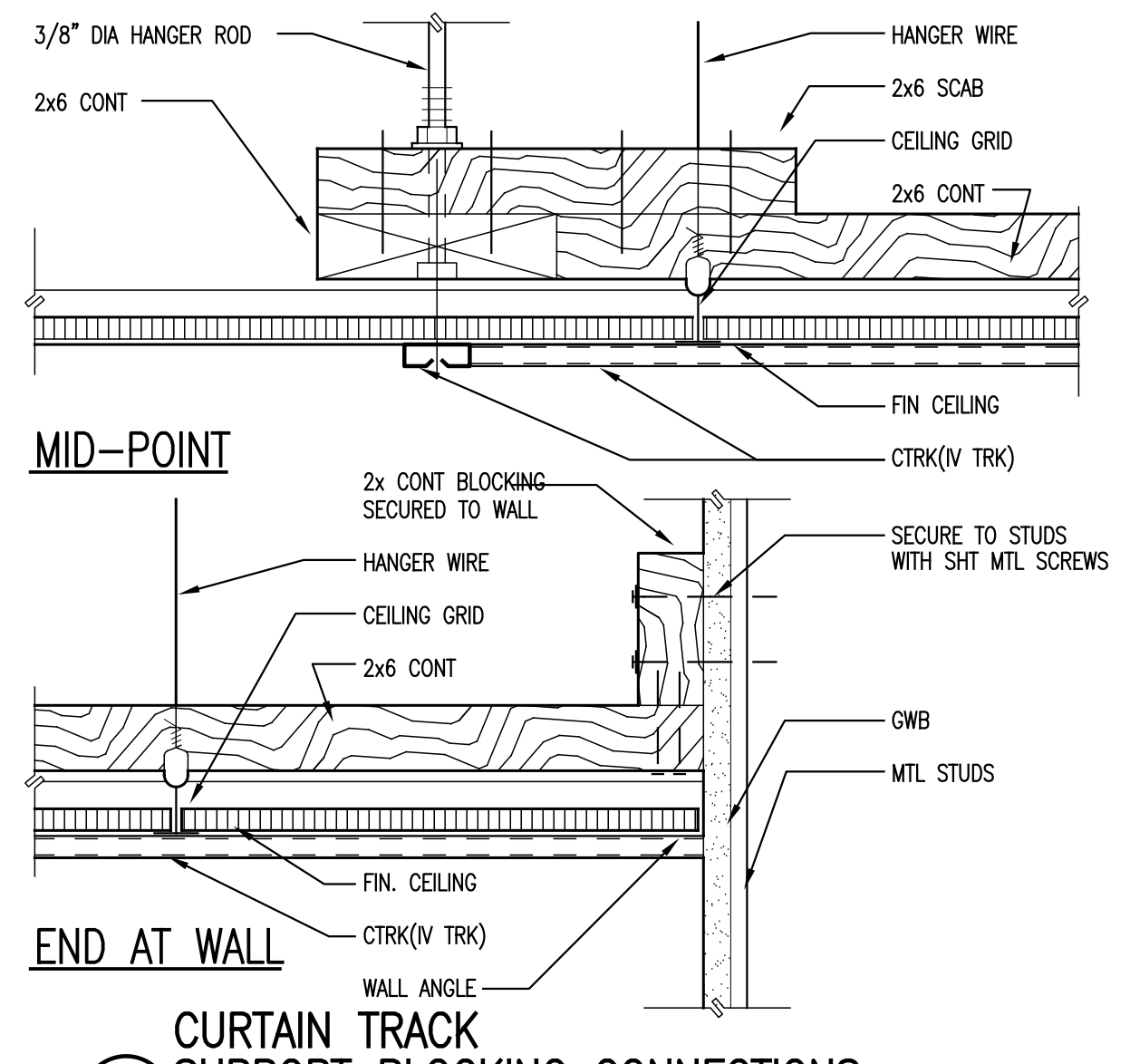
**PROCEDURE FOR SUPPORTING CURTAIN TRACK**  
SCALE: 3" = 1'-0"



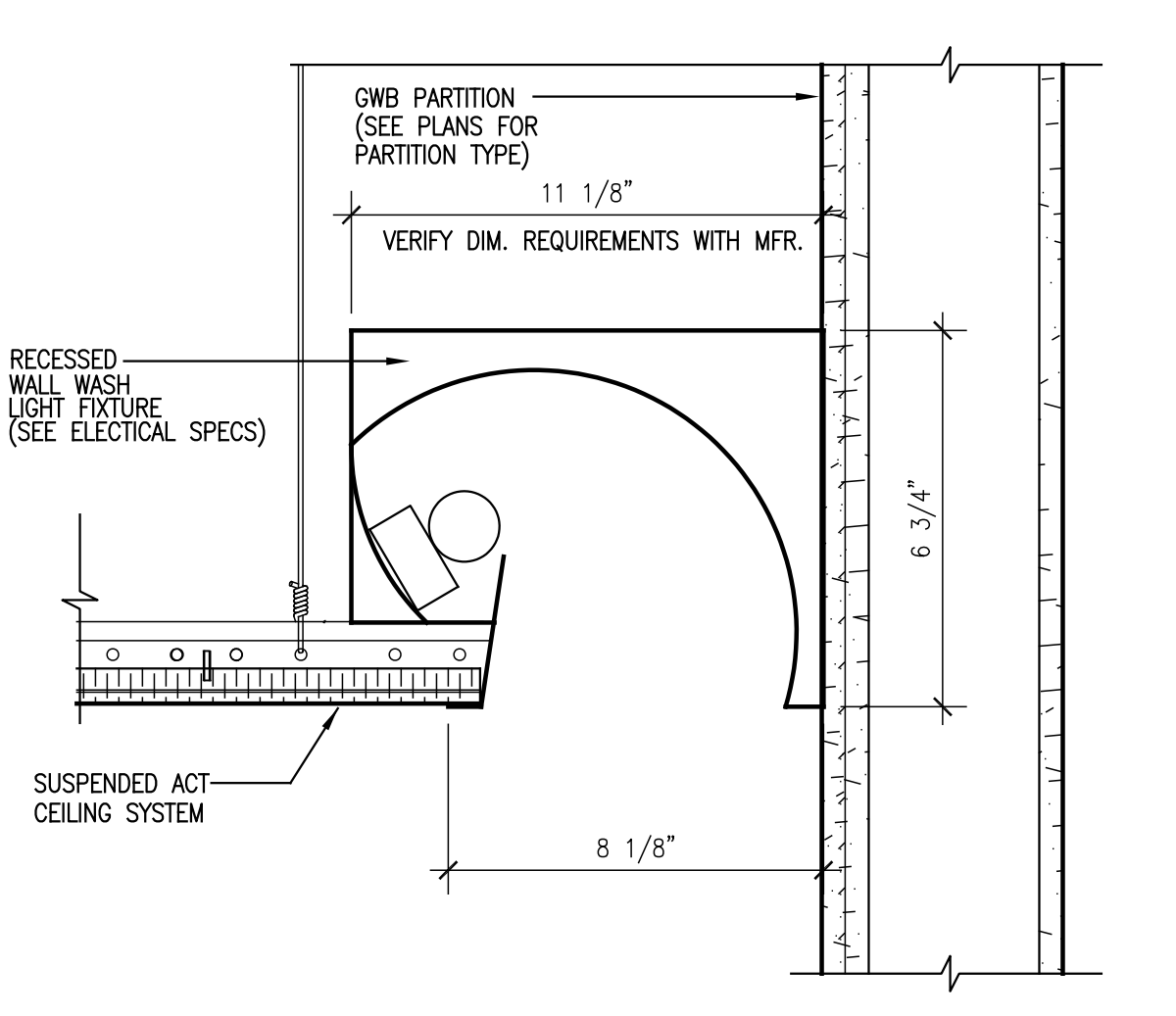
**CTRK/IV TRK SUPPORT BLOCKING CONNECTIONS**  
SCALE: 3" = 1'-0"



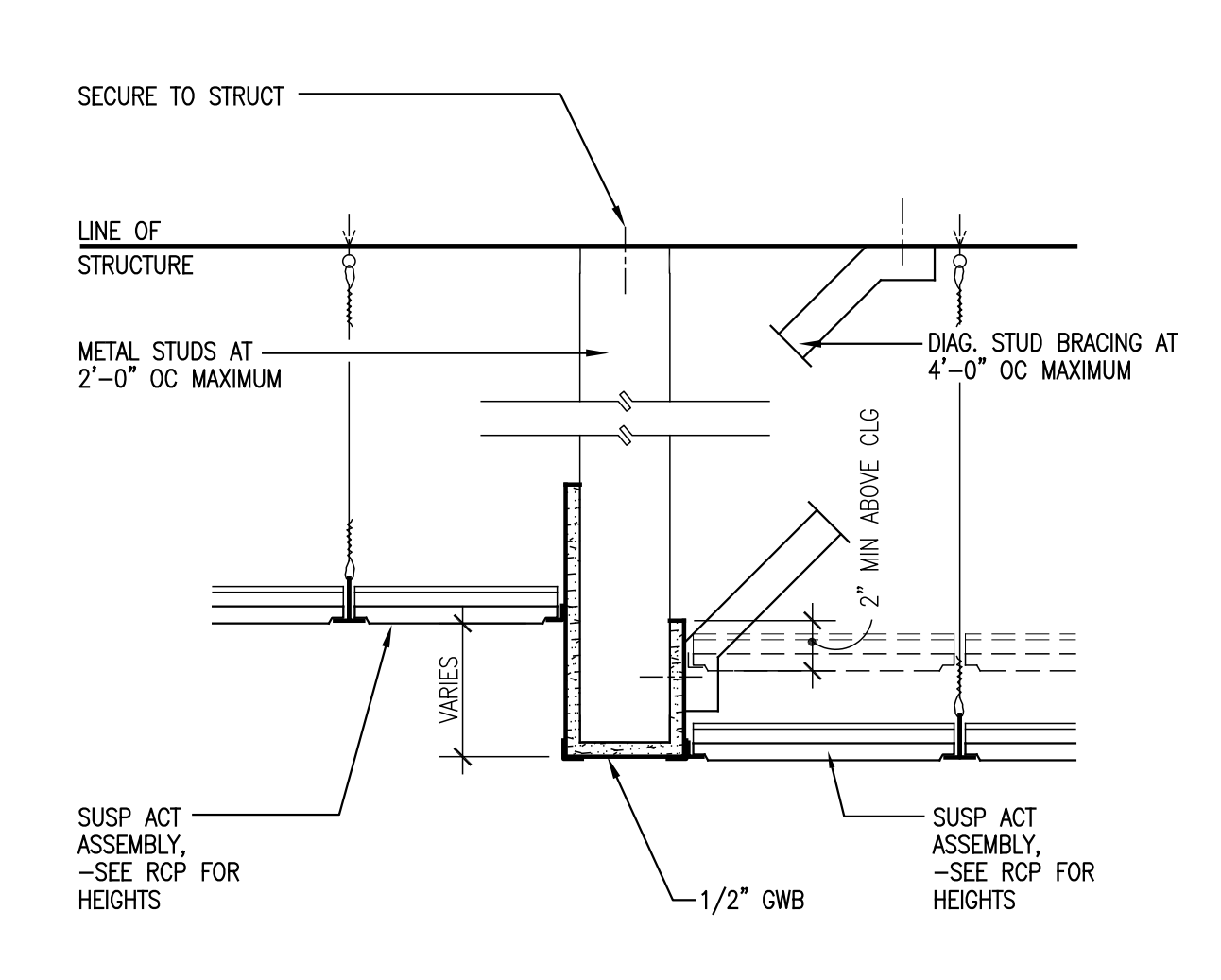
**PROCEDURE FOR SUPPORTING CURTAIN TRACK**  
SCALE: 3" = 1'-0"



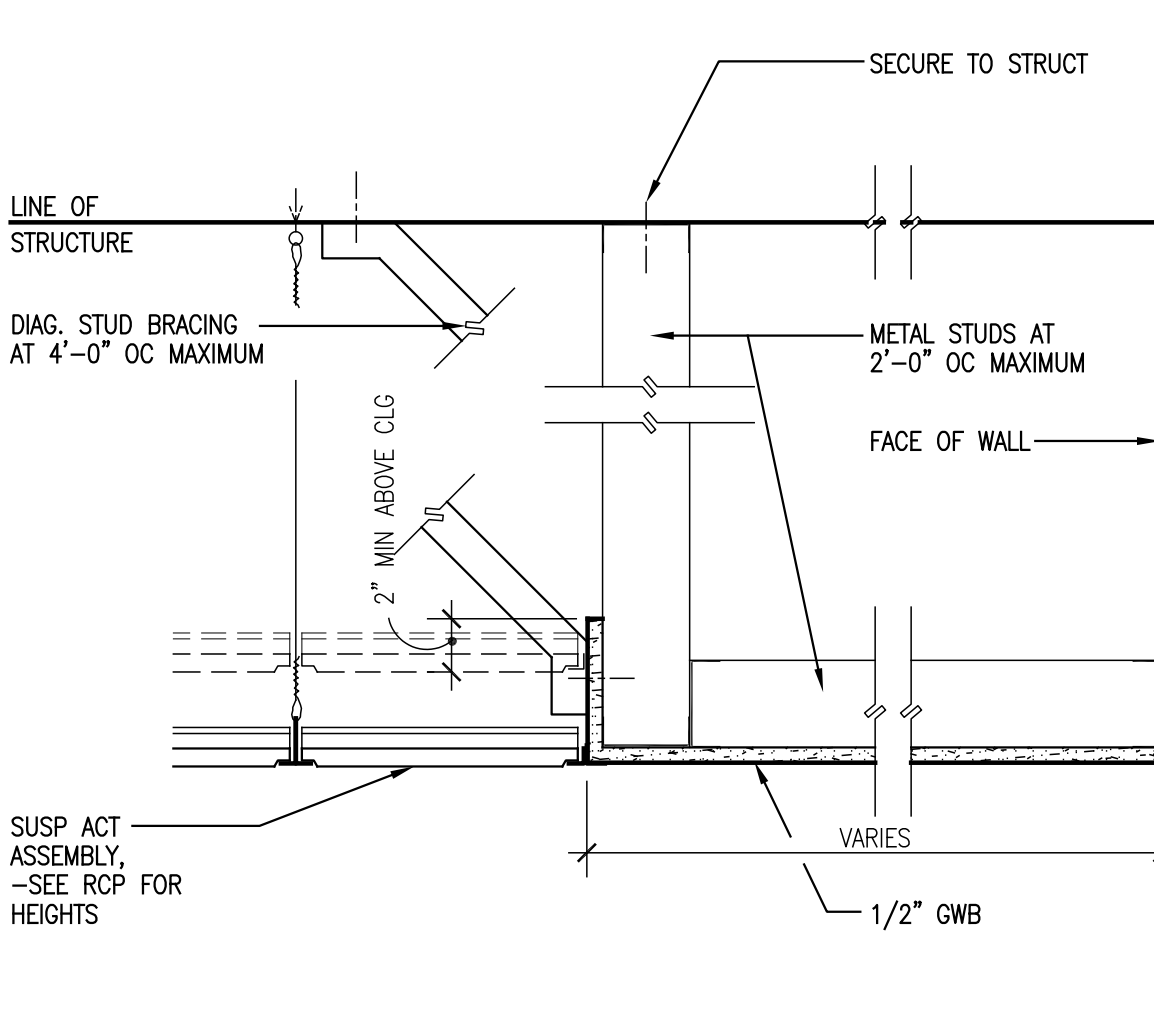
**CURTAIN TRACK SUPPORT BLOCKING CONNECTIONS**  
SCALE: 3" = 1'-0"



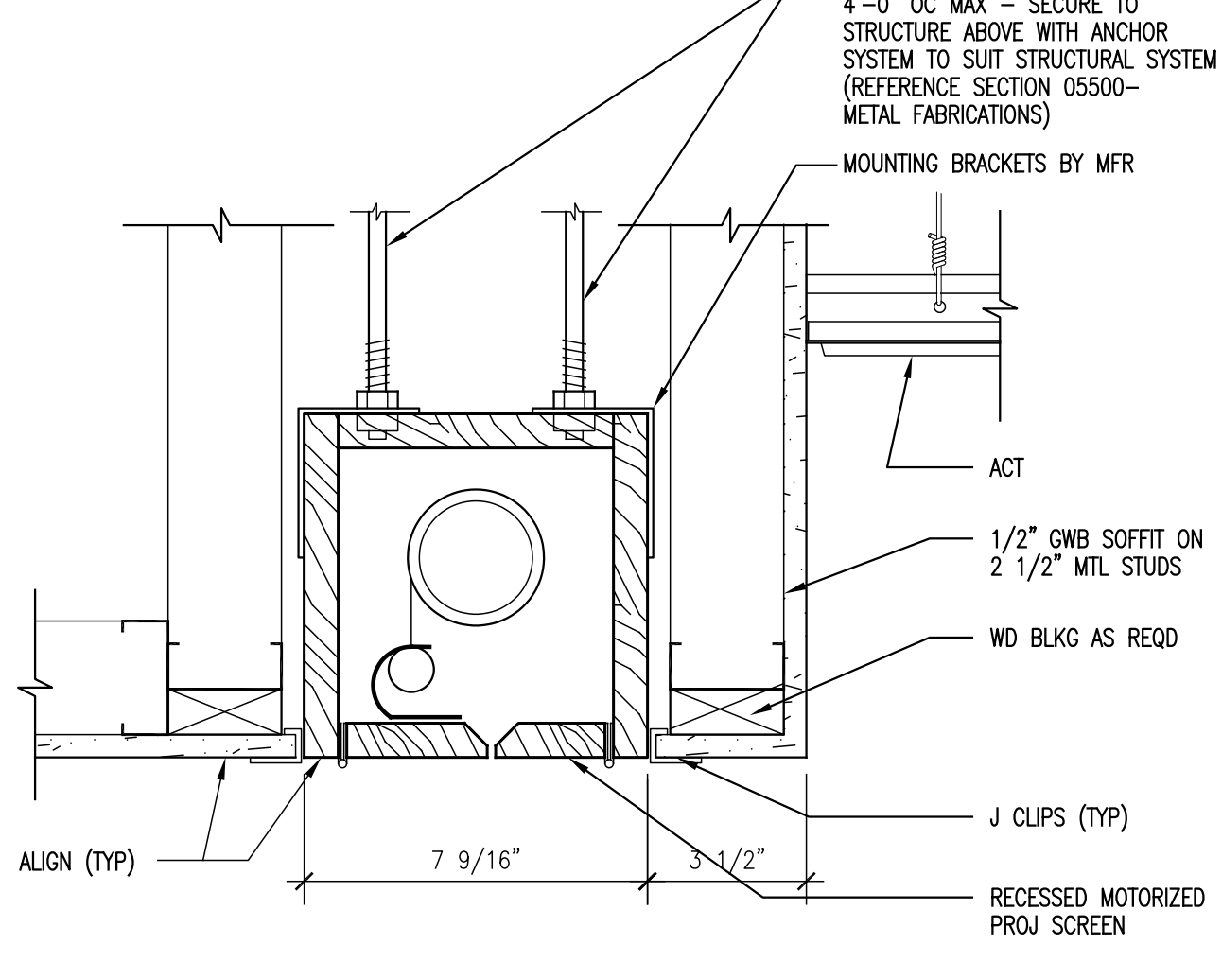
**SECTION DETAIL AT COVE LIGHT FIXTURE**  
SCALE: 3" = 1'-0"



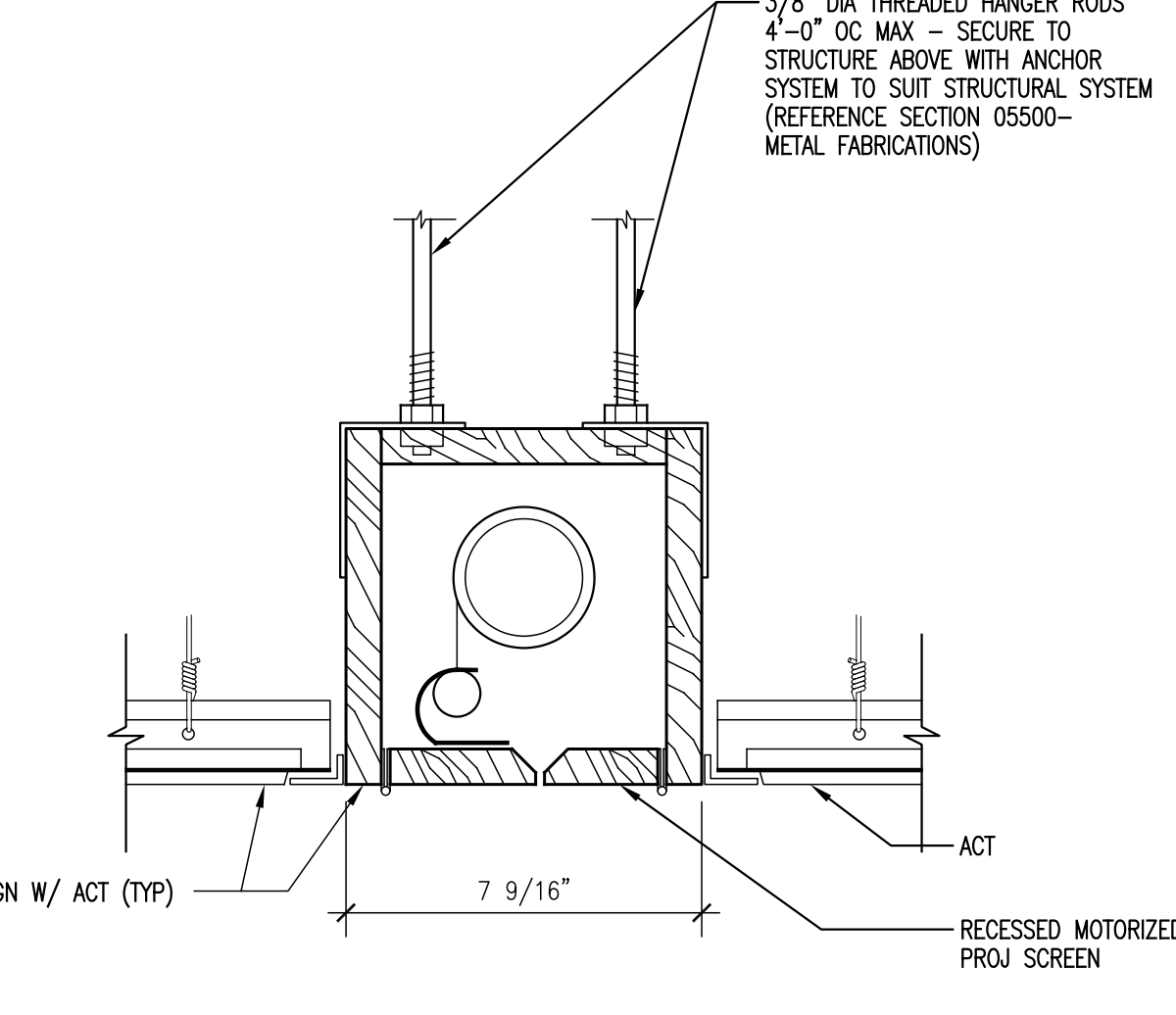
**GWB SOFFIT DETAIL**  
SCALE: 1 1/2" = 1'-0"



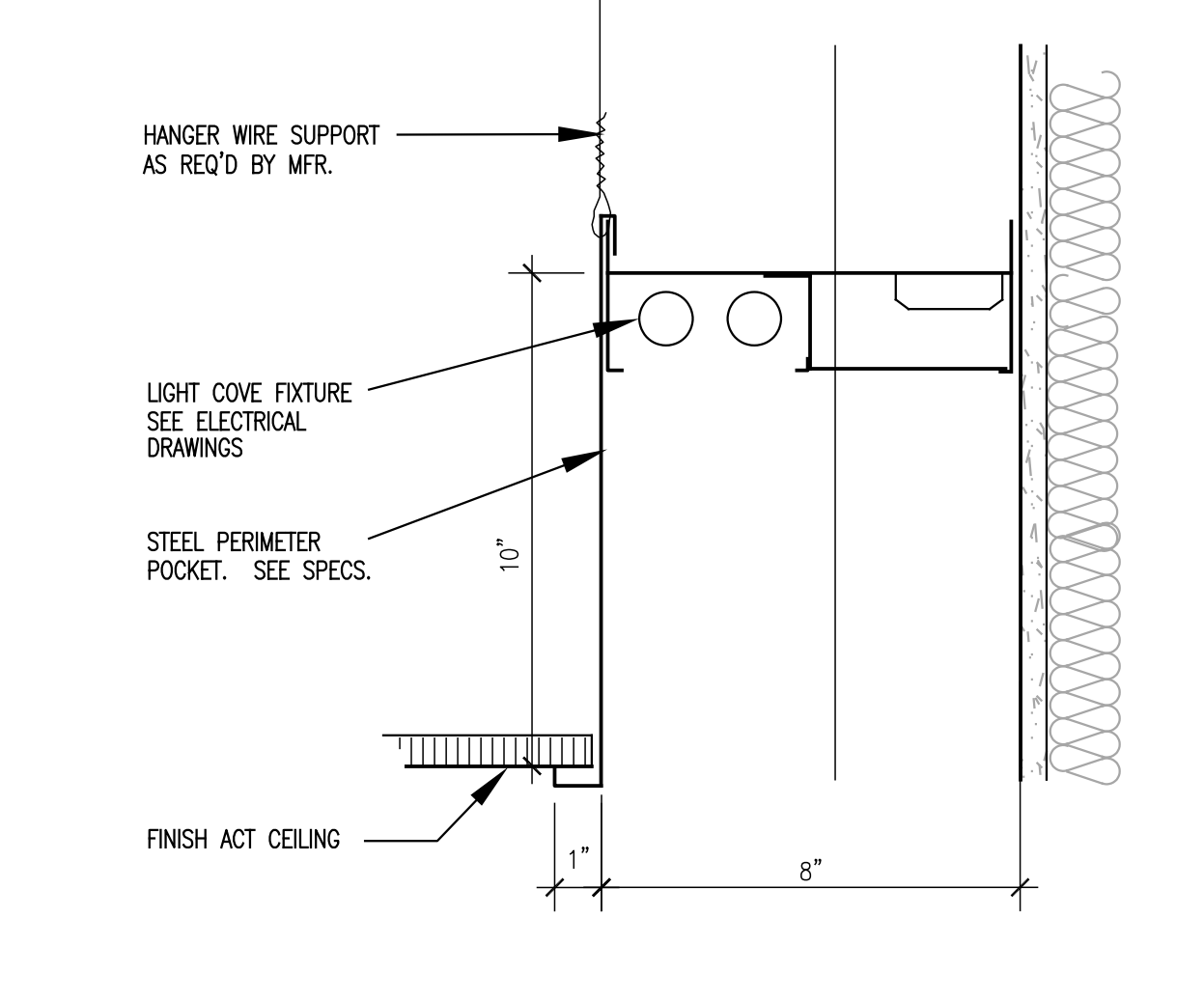
**GWB SOFFIT DETAIL**  
SCALE: 1 1/2" = 1'-0"



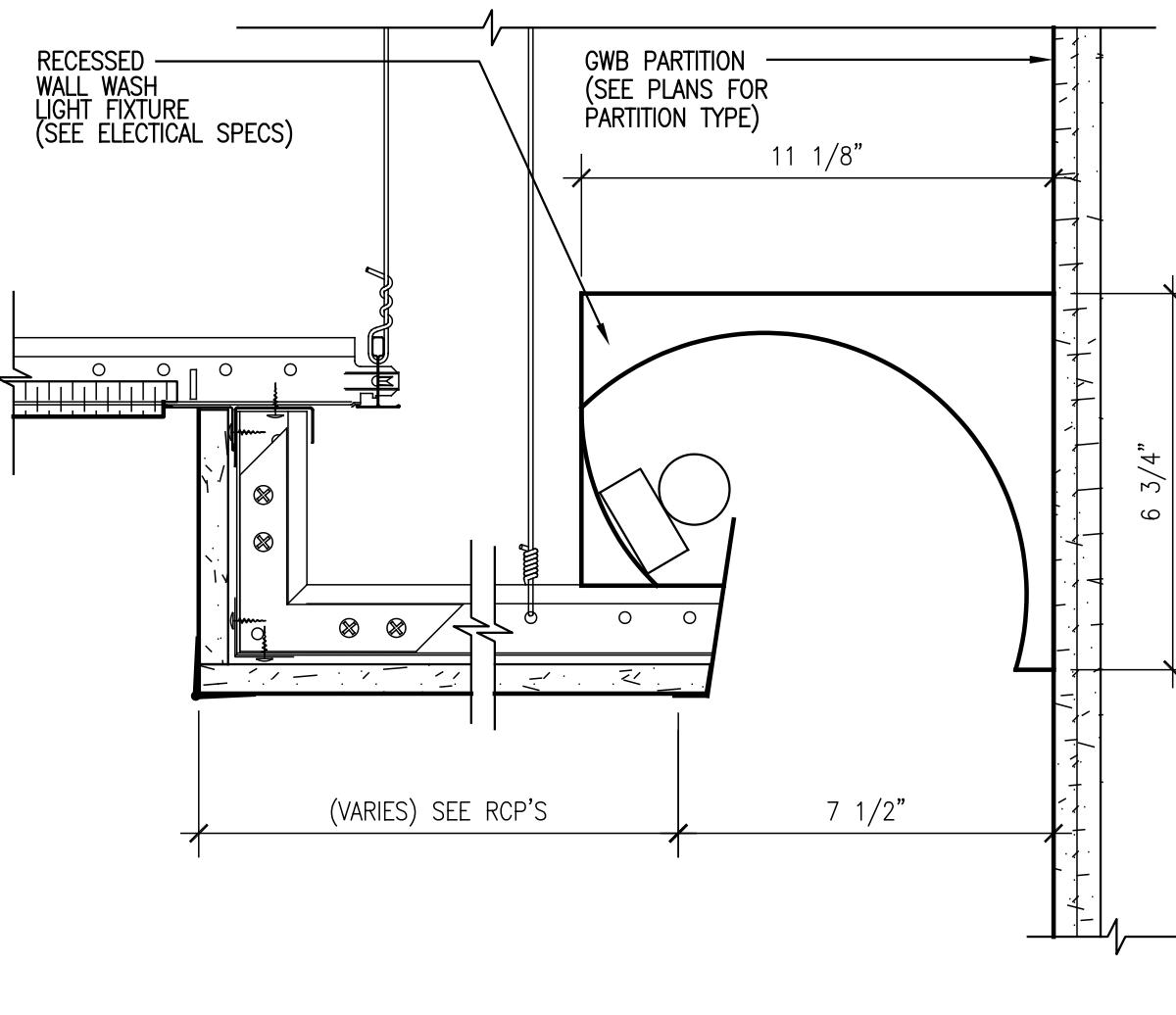
**SECTION DETAIL AT RECESSED PROJECTION SCREEN (GWB)**  
SCALE: 3" = 1'-0"



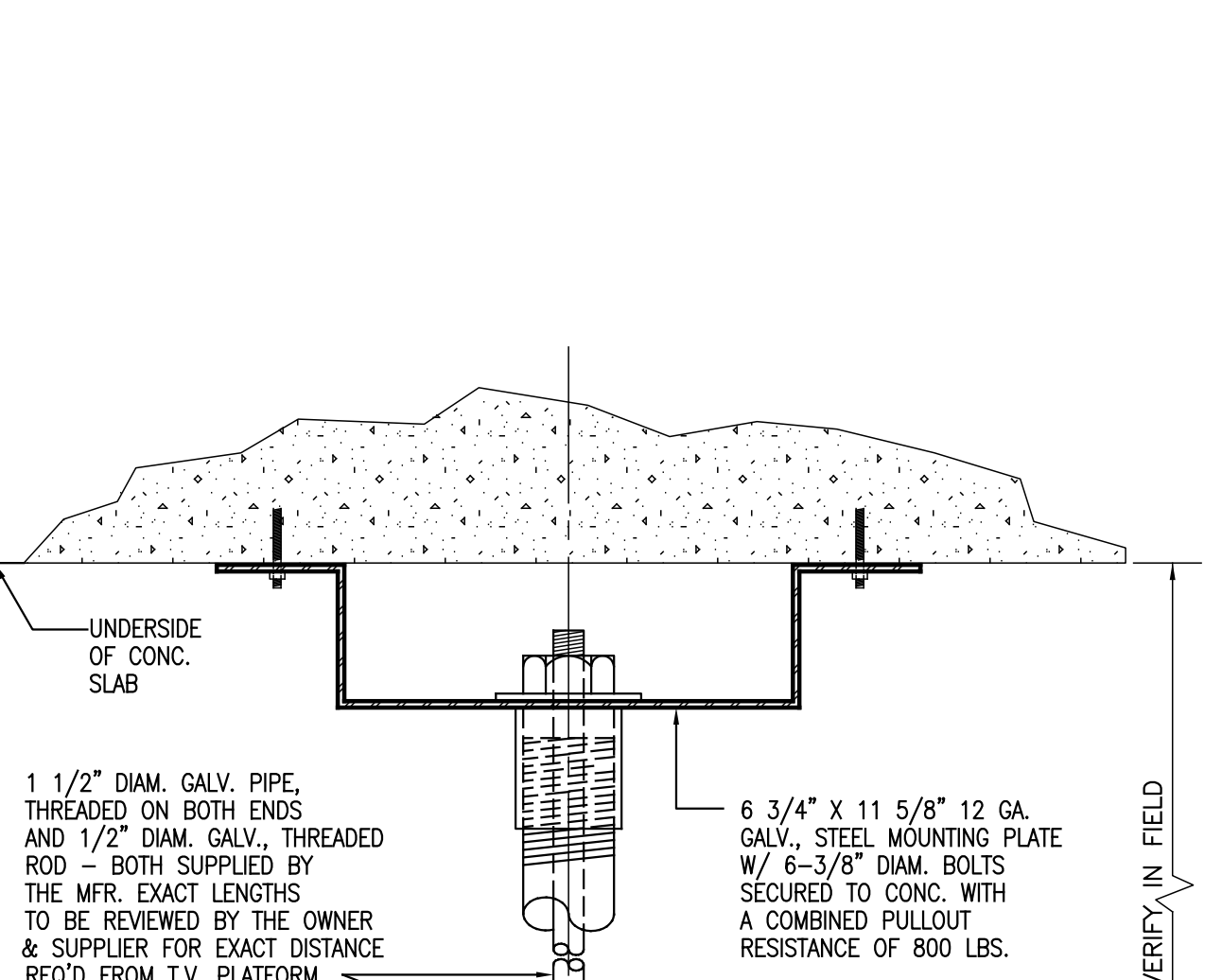
**SECTION DETAIL AT RECESSED PROJECTION SCREEN (ACT)**  
SCALE: 3" = 1'-0"



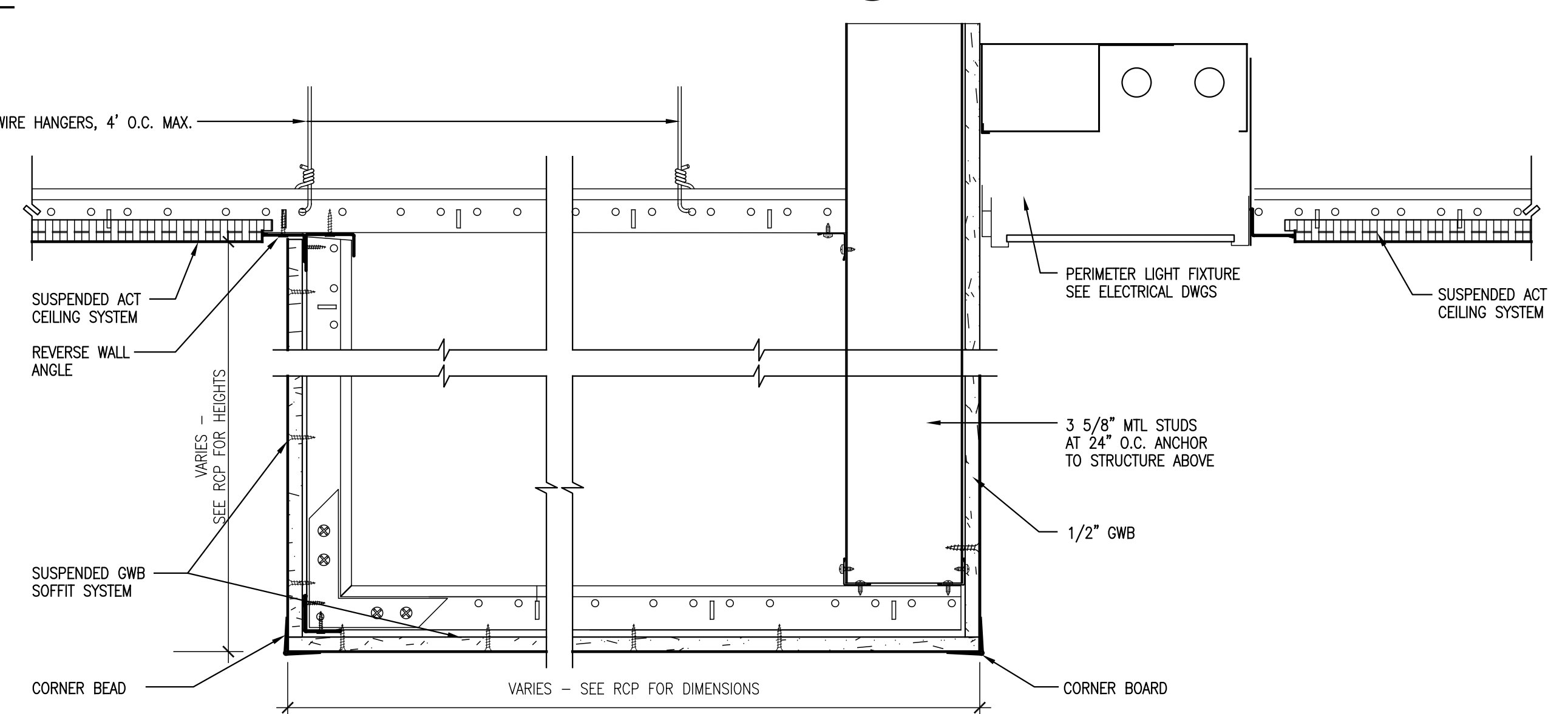
**TYPICAL PATIENT TOILET LIGHT COVE**  
SCALE: 3" = 1'-0"



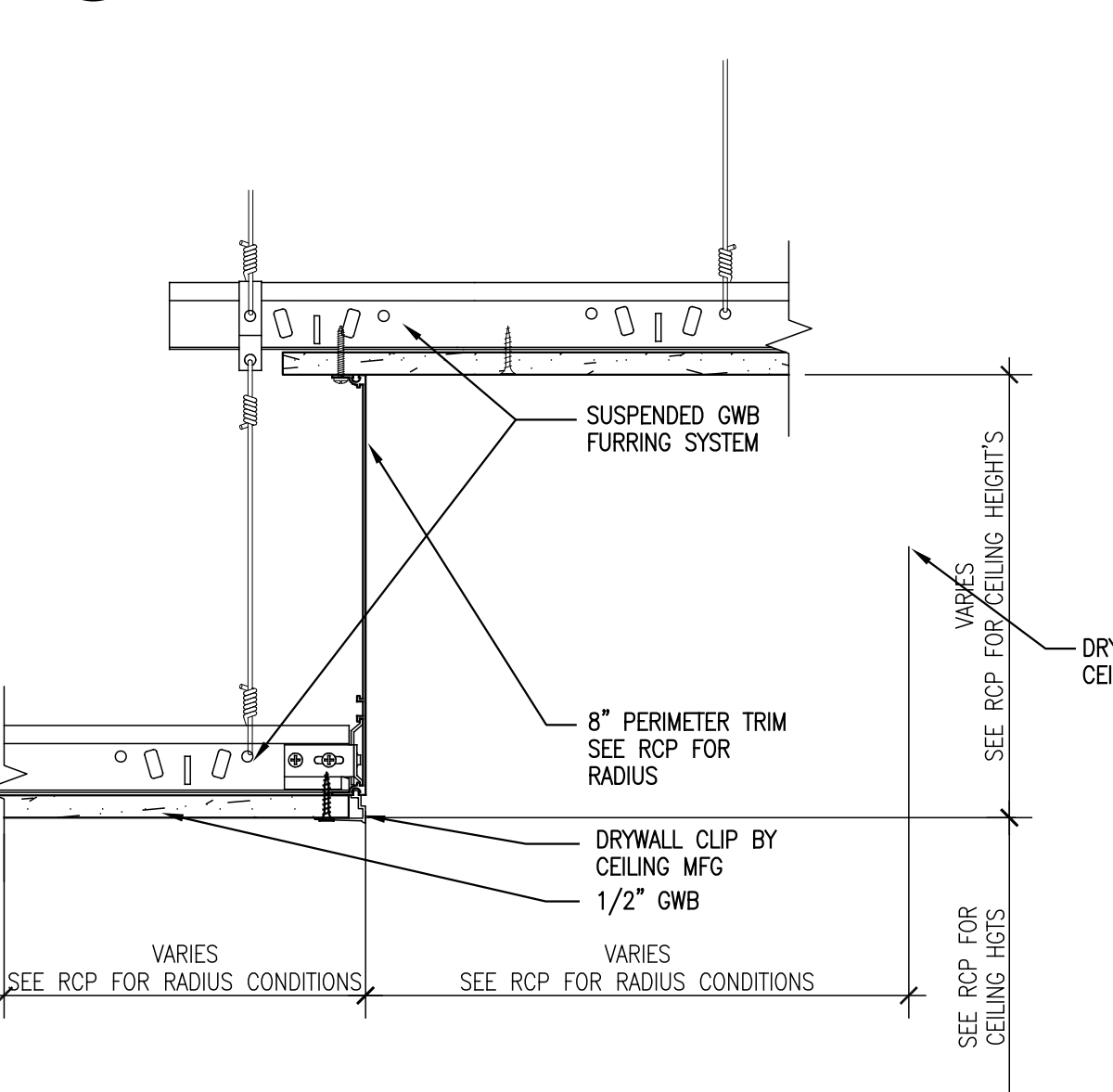
**SECTION DETAIL AT COVE LIGHT FIXTURE**  
SCALE: 3" = 1'-0"



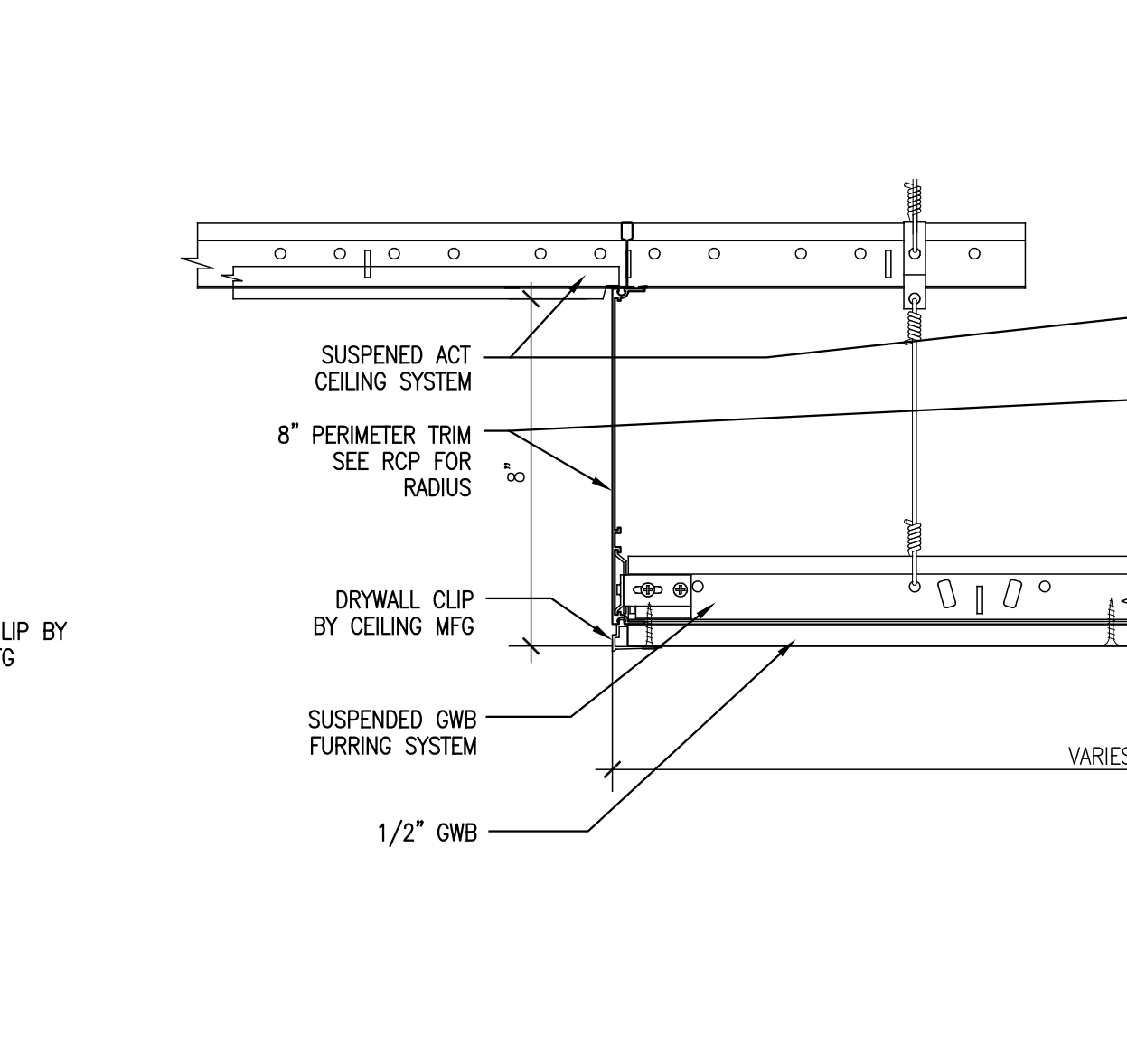
**GWB SOFFIT DETAIL**  
SCALE: 1 1/2" = 1'-0"



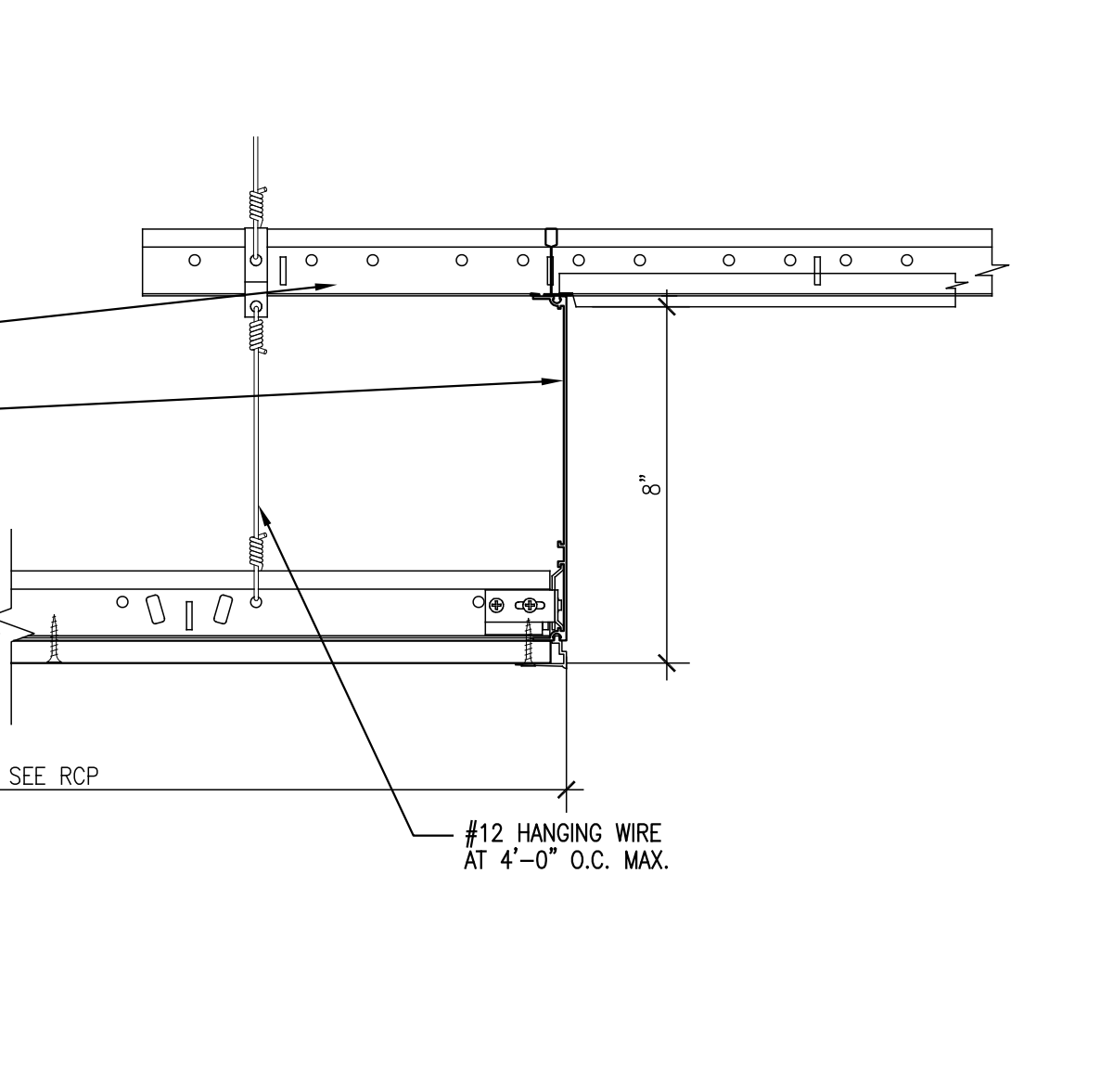
**SECTION DETAIL AT GWB SOFFIT WITH PERIMETER LIGHT**  
SCALE: 3" = 1'-0"



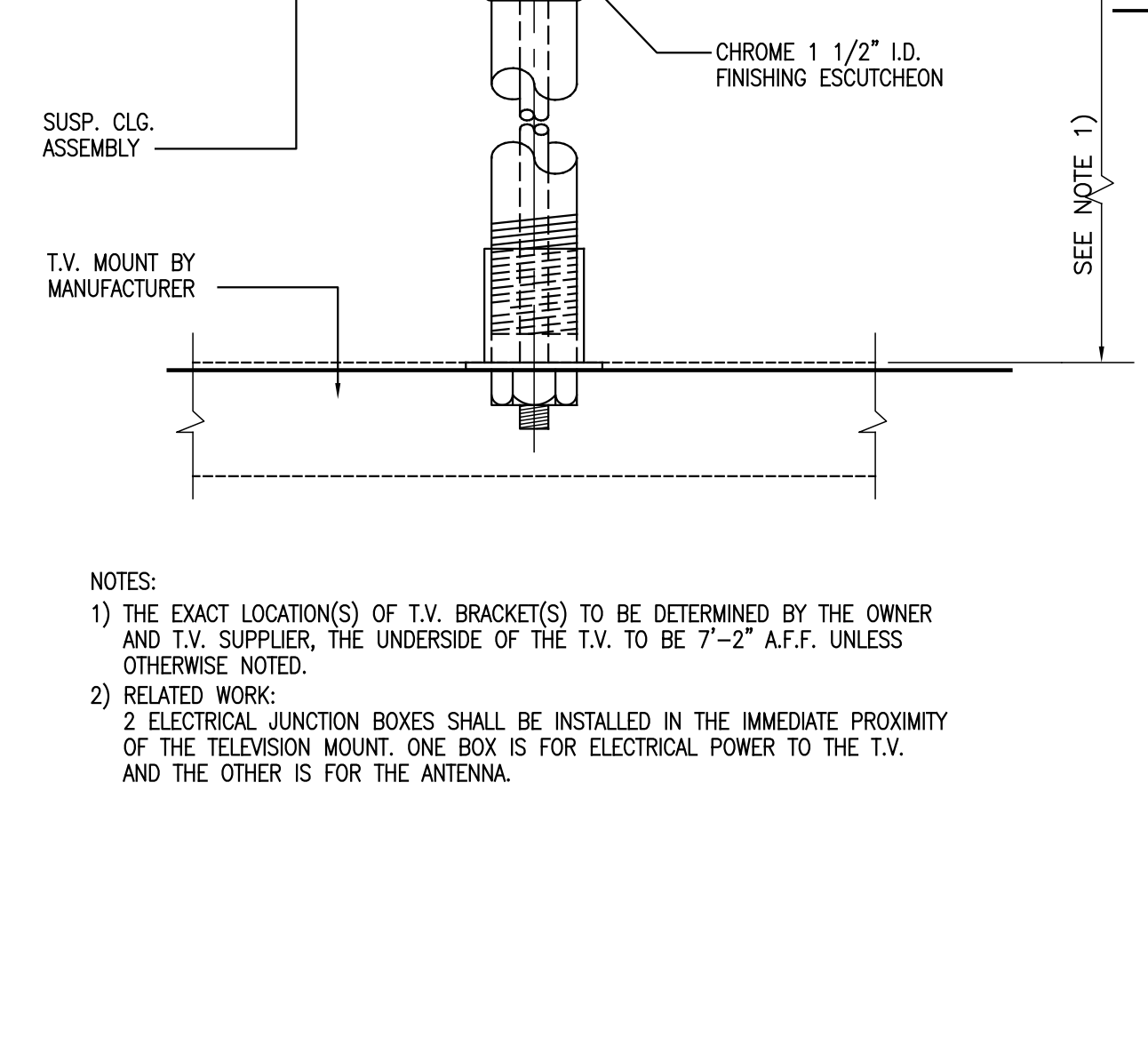
**SECTION DETAIL AT**  
SCALE: 3" = 1'-0"



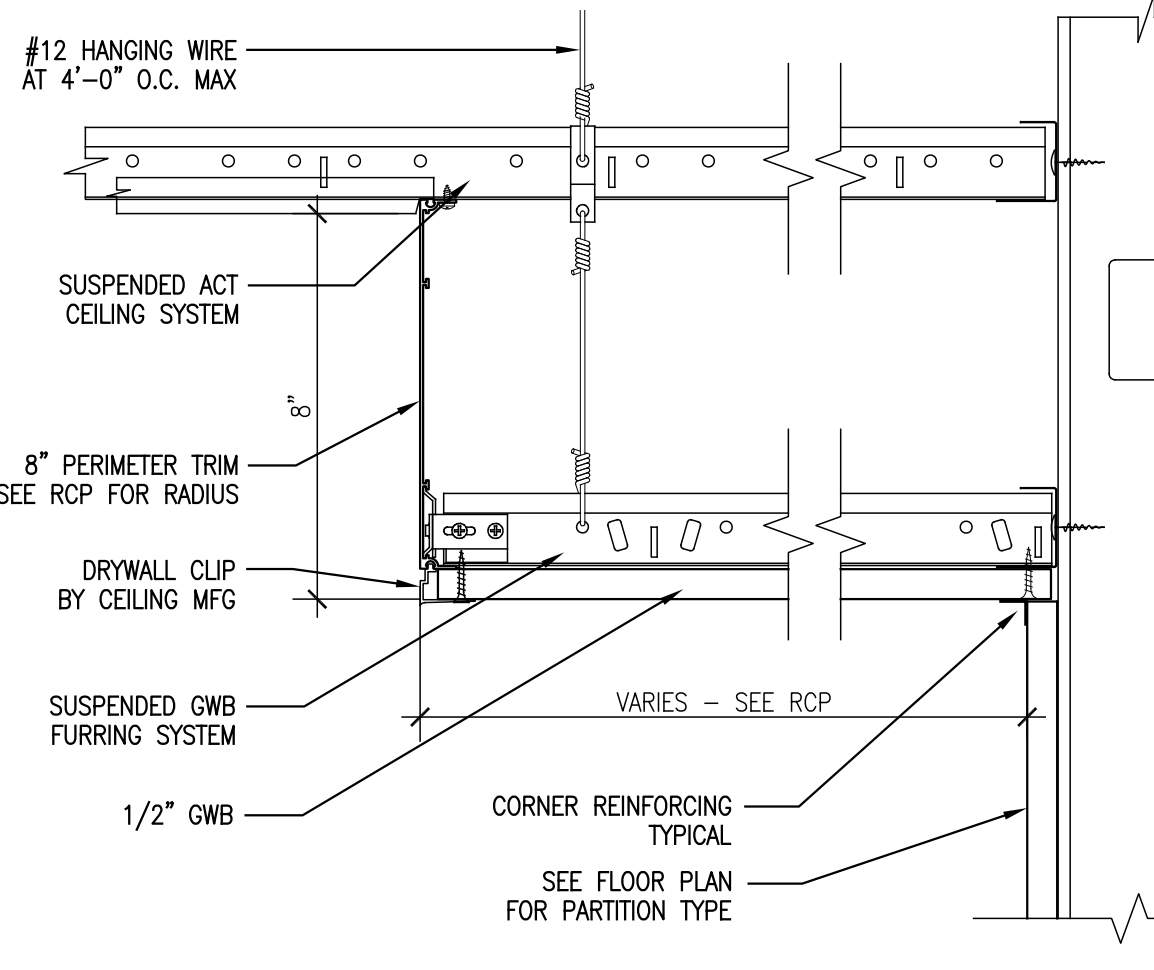
**SECTION DETAIL AT**  
SCALE: 3" = 1'-0"



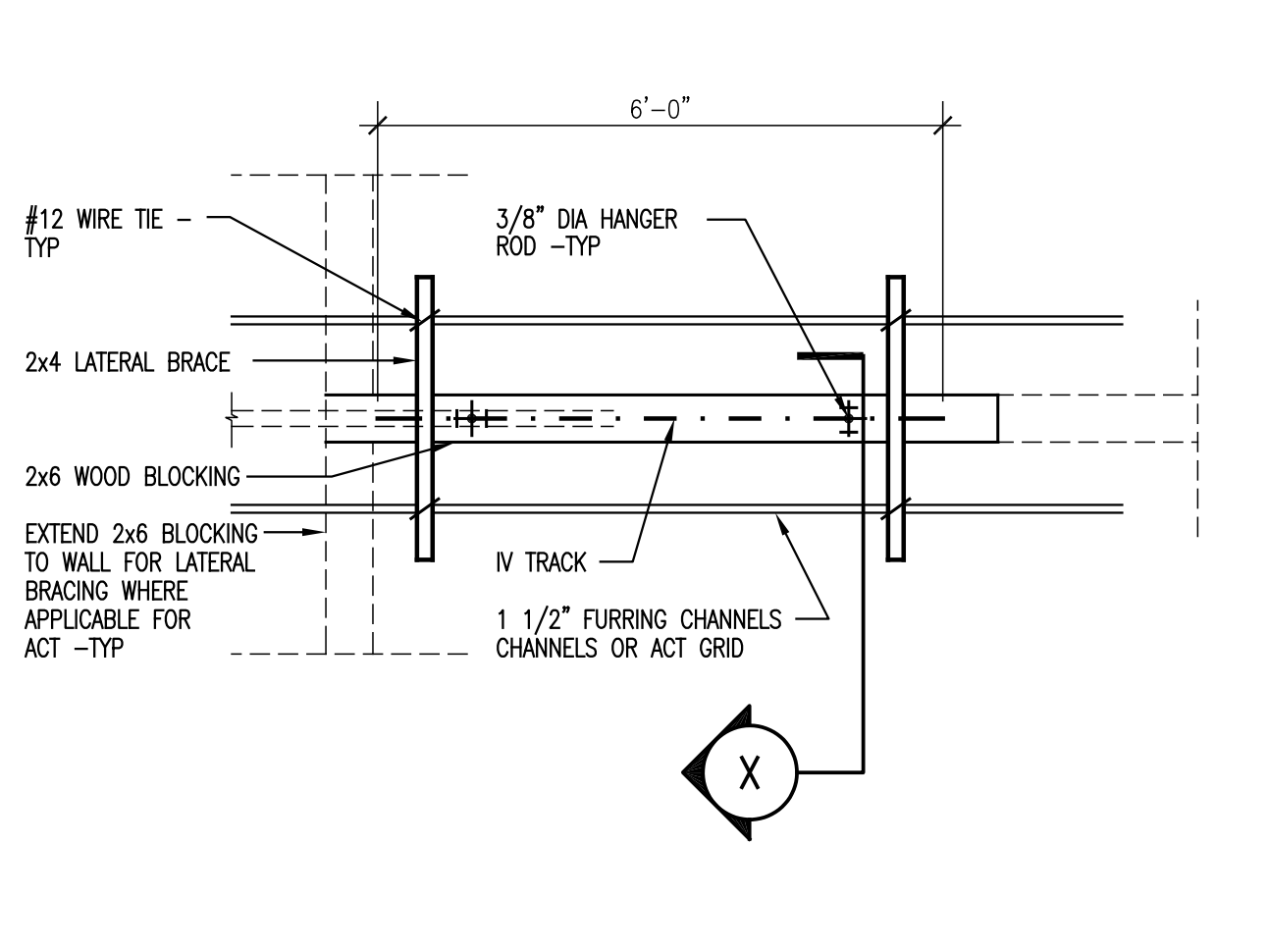
**SECTION DETAIL AT COVE LIGHT FIXTURE**  
SCALE: 3" = 1'-0"



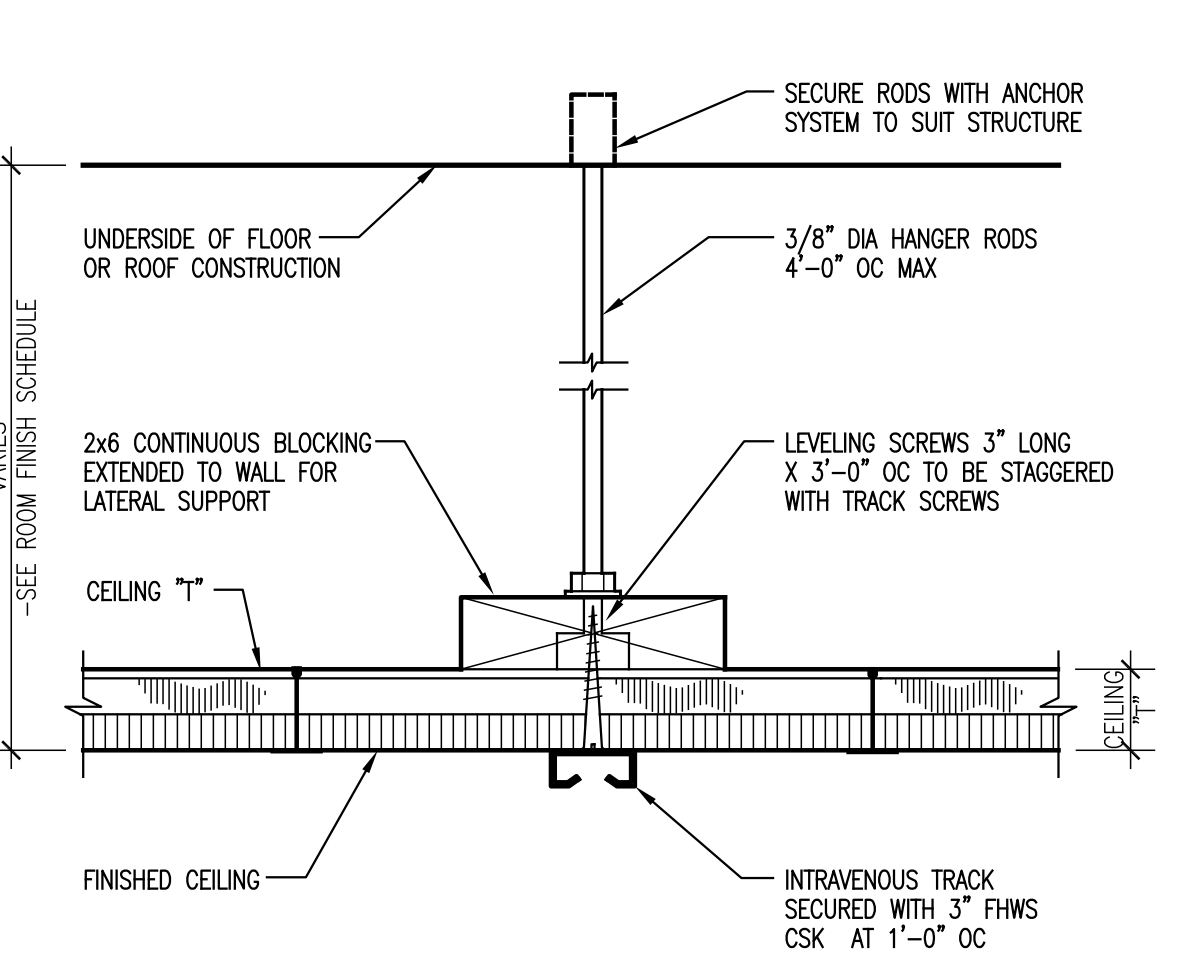
**T.V. CEILING BRACKET SUPPORT DETAIL**  
SCALE: 3" = 1'-0"



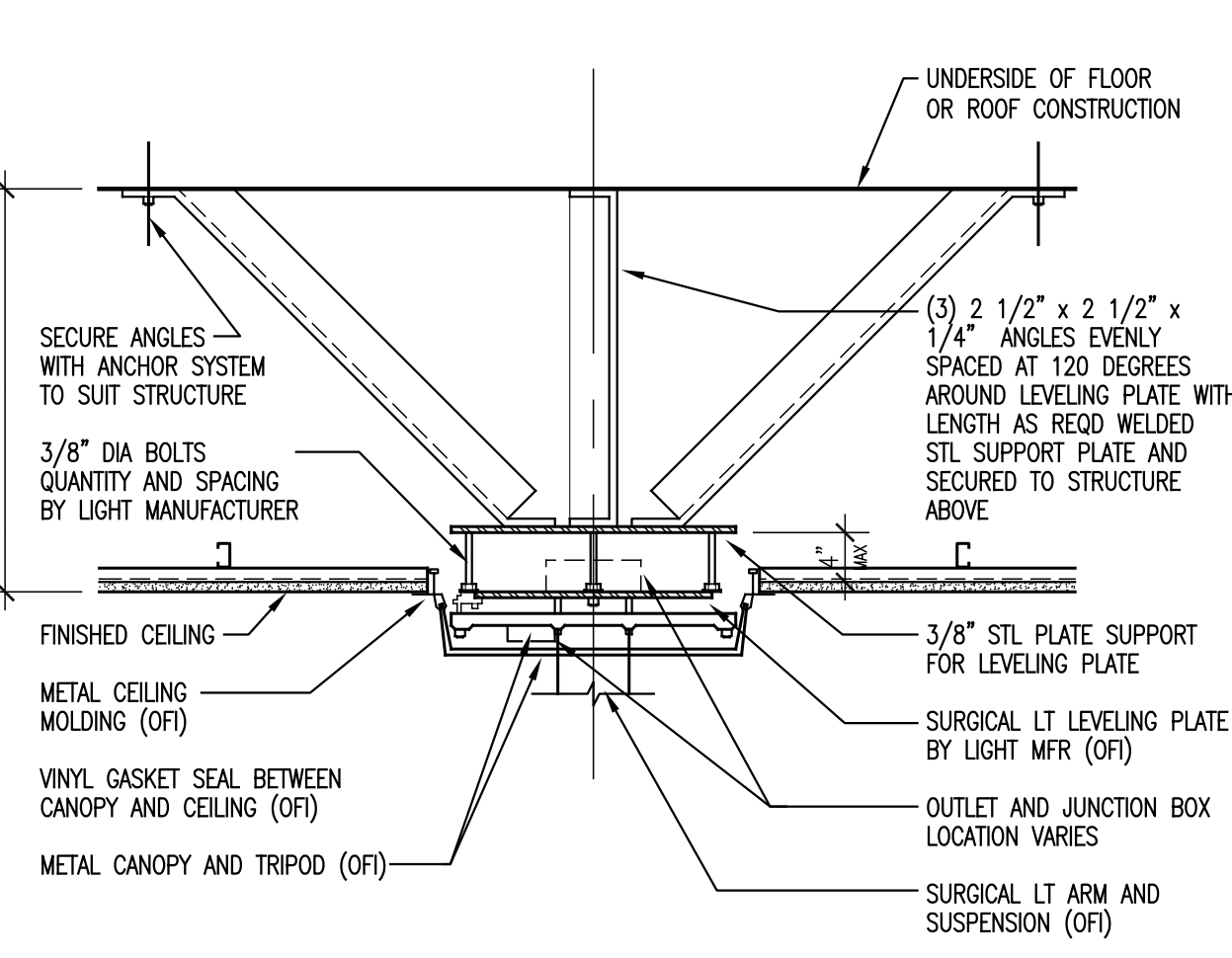
**SECTION DETAIL AT**  
SCALE: 3" = 1'-0"



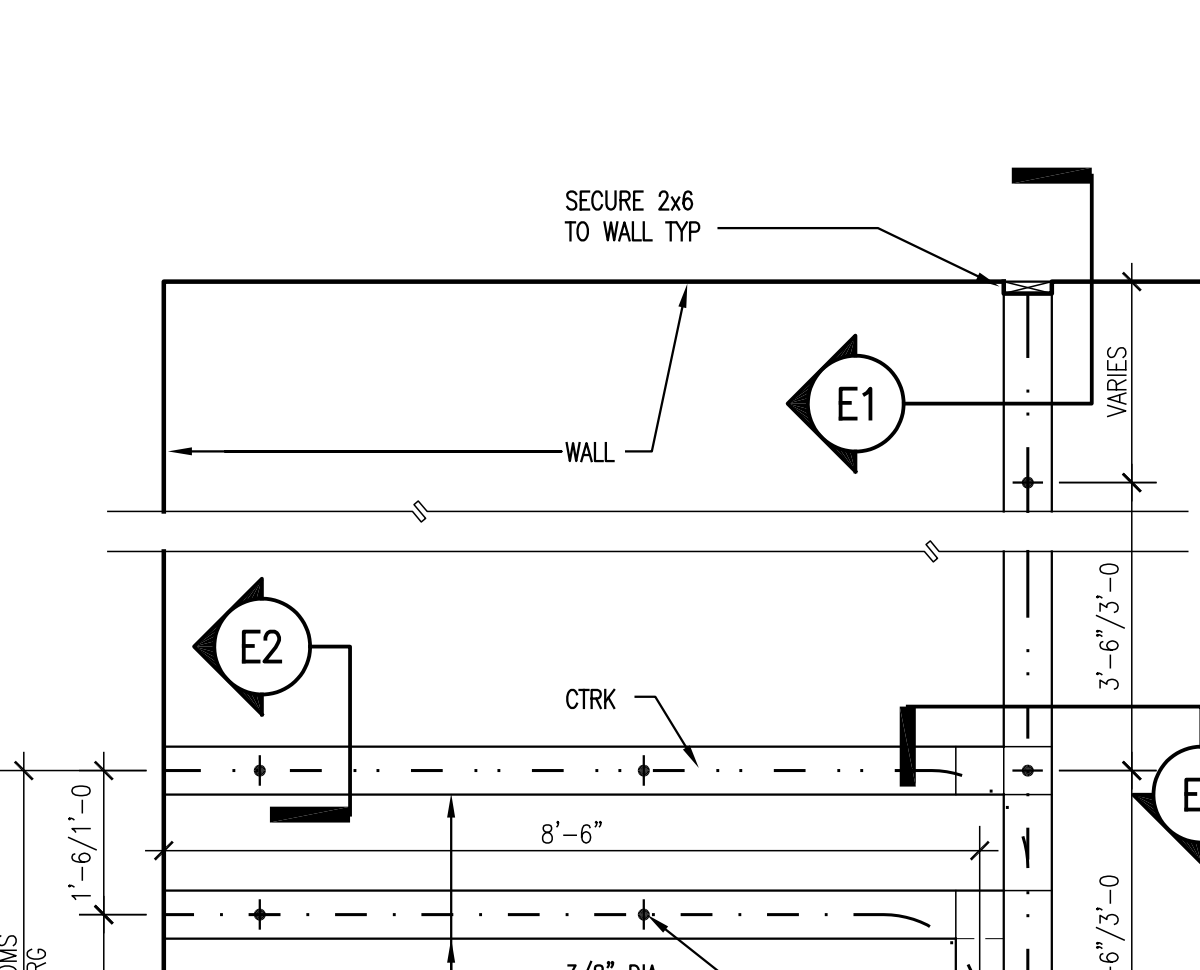
**STRAIGHT INTRAVENOUS TRACK - PLAN**  
SCALE: 1/2" = 1'-0"



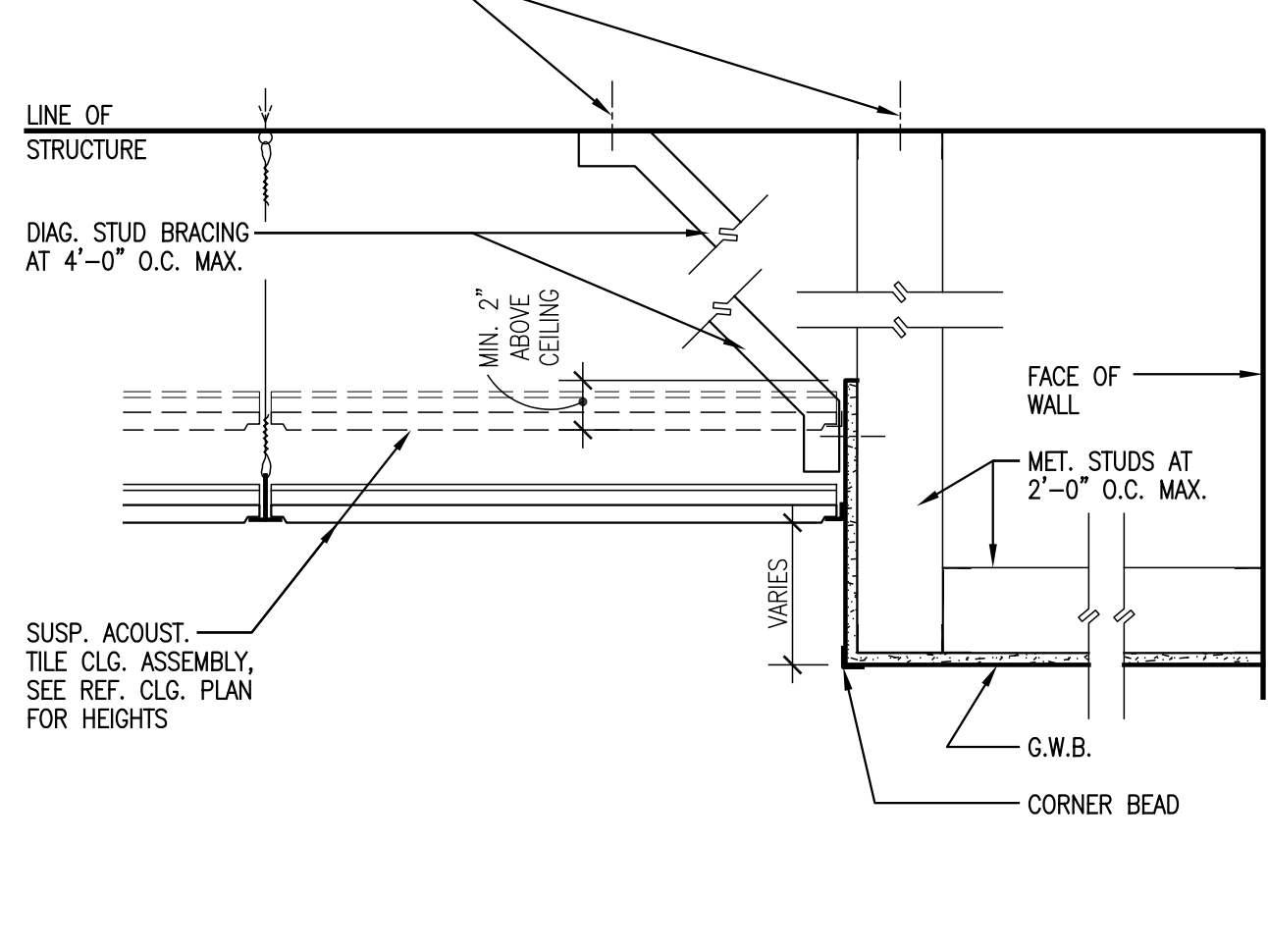
**INTRAVENOUS TRACK SUPPORT**  
SCALE: 3" = 1'-0"



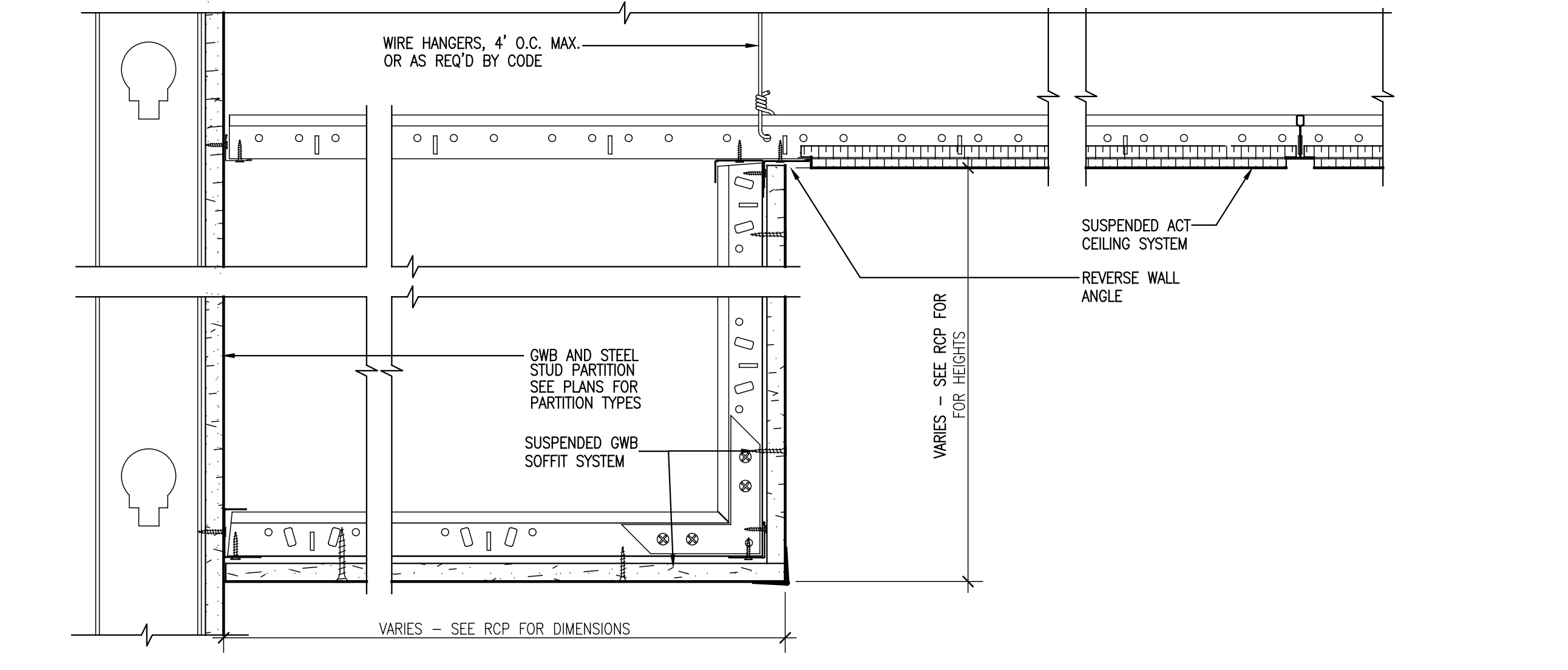
**CENTER MOUNT SURGICAL LIGHT SUPPORT**  
SCALE: 1" = 1'-0"



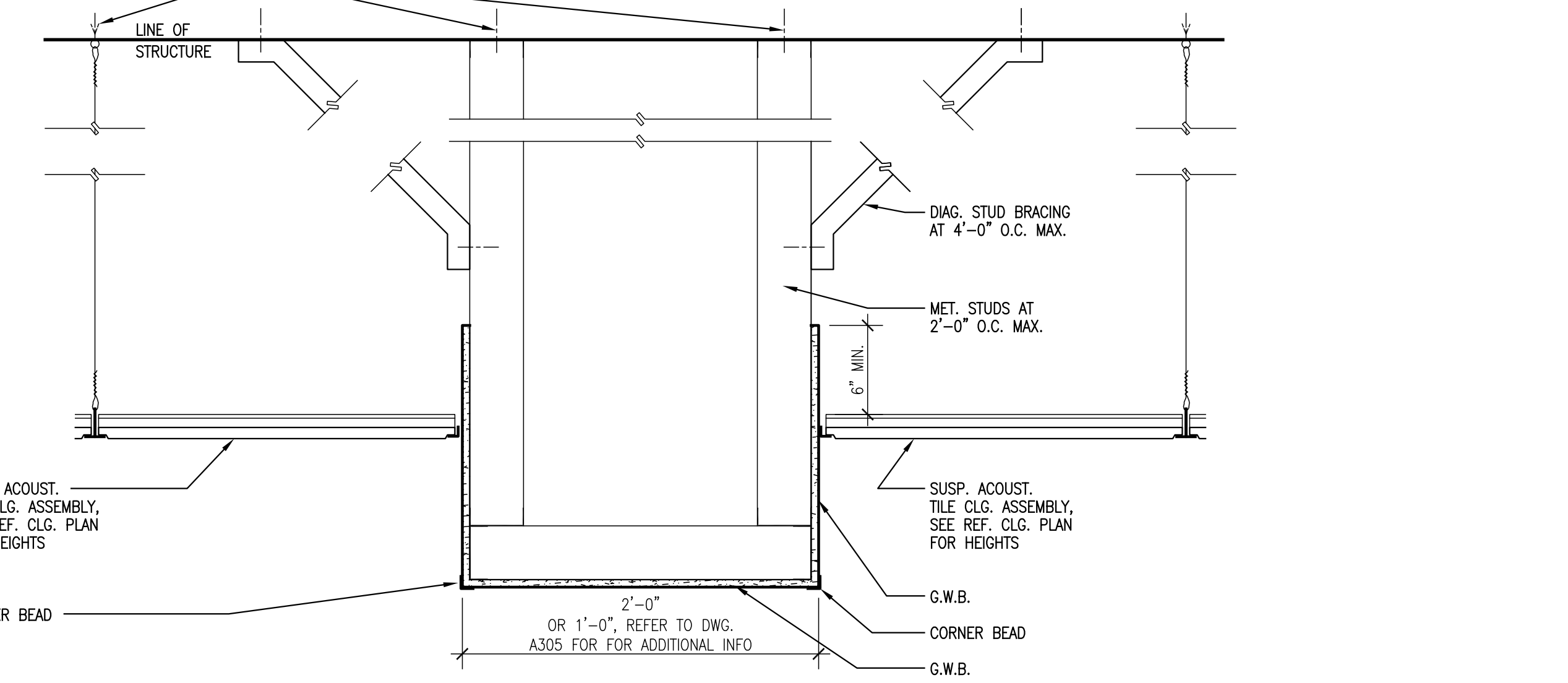
**SECTION DETAIL AT**  
SCALE: 3" = 1'-0"



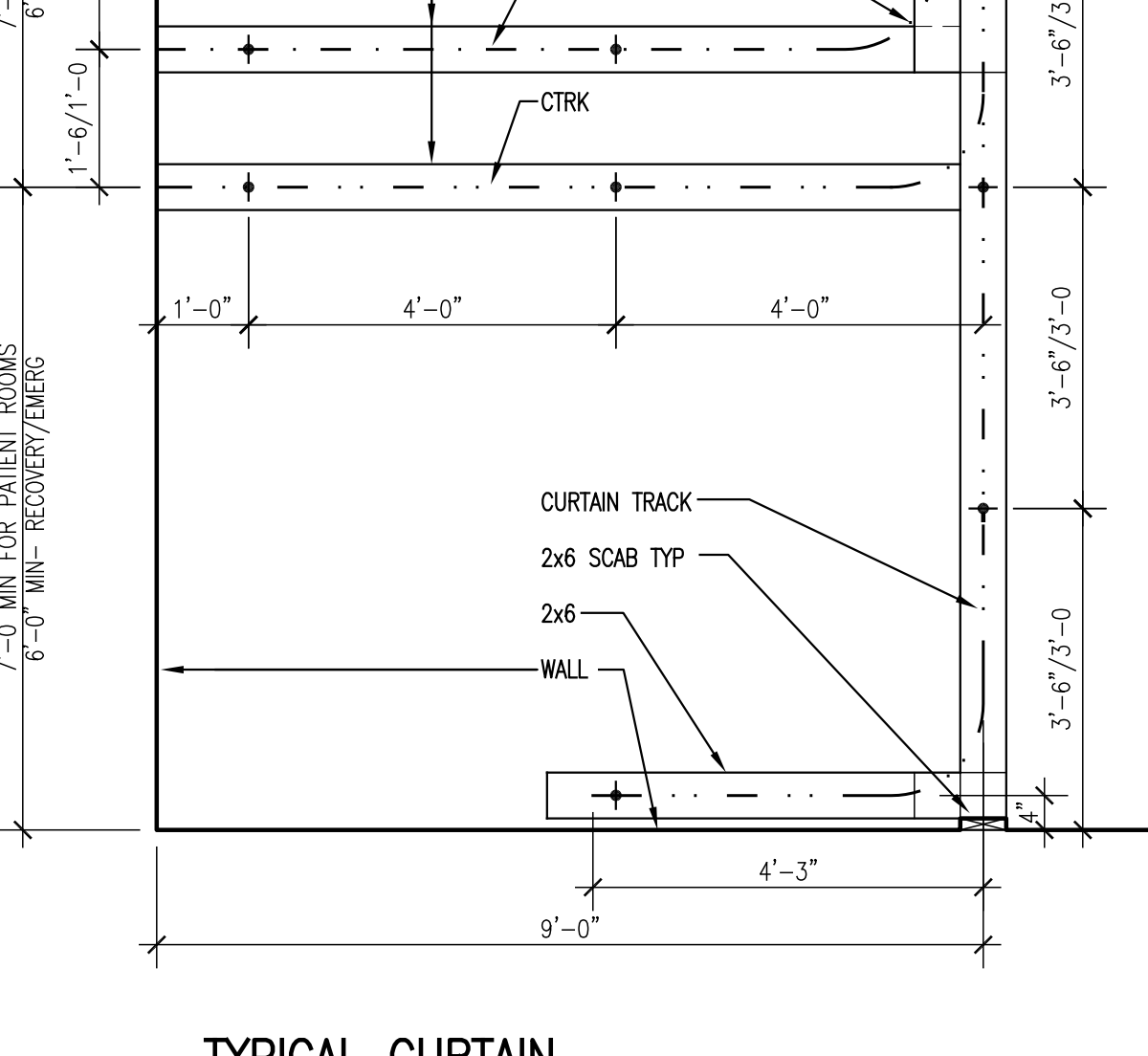
**GWB SOFFIT DETAIL**  
SCALE: 1 1/2" = 1'-0"



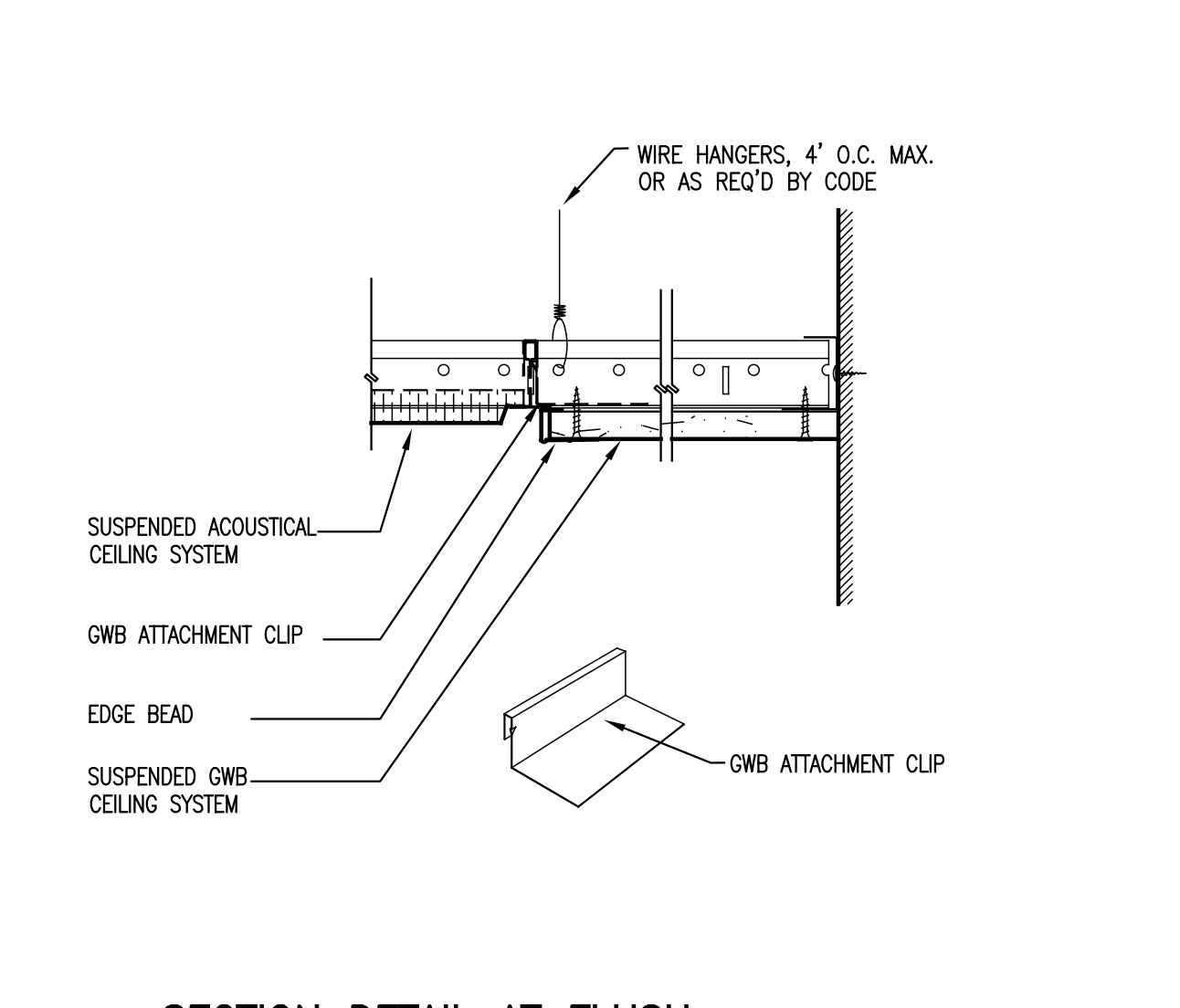
**SECTION DETAIL AT GWB SOFFIT**  
SCALE: 3" = 1'-0"



**GWB SOFFIT DETAIL**  
SCALE: 1 1/2" = 1'-0"



**TYPICAL CURTAIN TRACK/IV TRACK LAYOUT**  
SCALE: 1/2" = 1'-0"

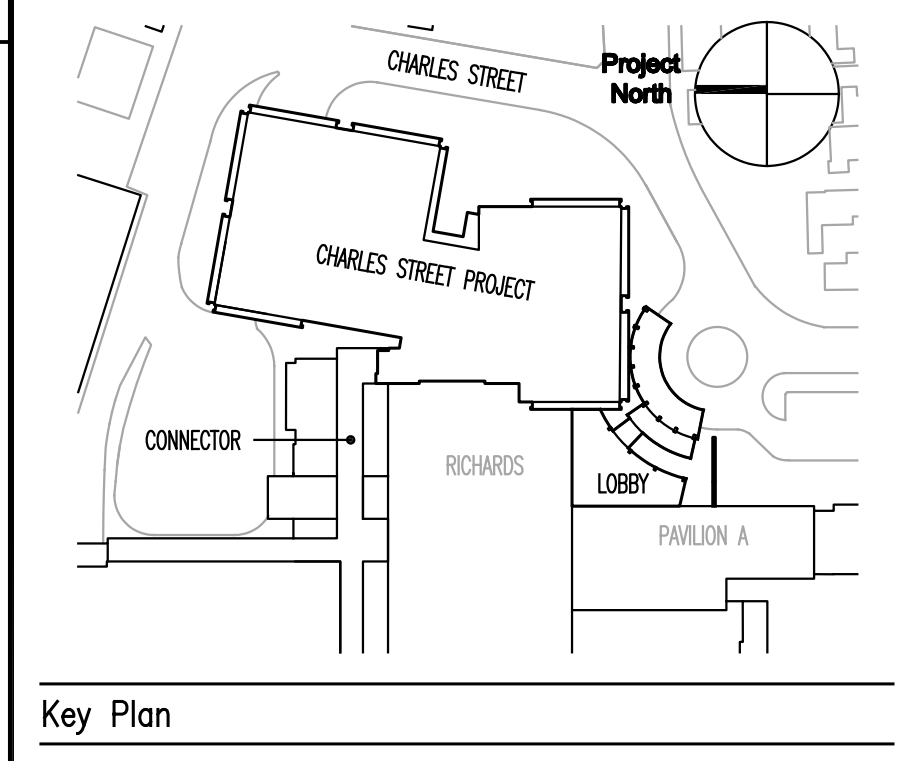


**SECTION DETAIL AT FLUSH ACT/GWB TRANSITION**  
SCALE: 3" = 1'-0"

General Notes:

**FOR PERMIT ONLY  
NOT FOR CONSTRUCTION**

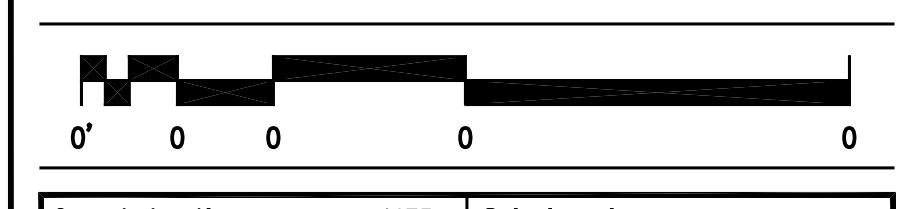
MARK ISSUE DATE DESCRIPTION  
PERMIT 09/24/04 PERMIT SET - NOT FOR CONSTRUCTION  
Issue Log



**TRO**  
ARCHITECTURE  
PLANNING  
ENGINEERING  
INTERIOR DESIGN  
The Ritchie Organization  
80 Bridge Street  
Newton, MA 02459-1194  
617-552-9100

**Maine Medical Center**  
Charles Street Project  
Portland, Maine MMC Project No. 21841

Drawing Title  
**CEILING  
DETAILS**



Commission No. 4673 Date Issued  
Scale AS NOTED Sheet Number  
Drawn By JAV  
Approved By RA  
Filename 4673A11.dwg  
Copyright © 2004 The Ritchie Organization  
**A311**