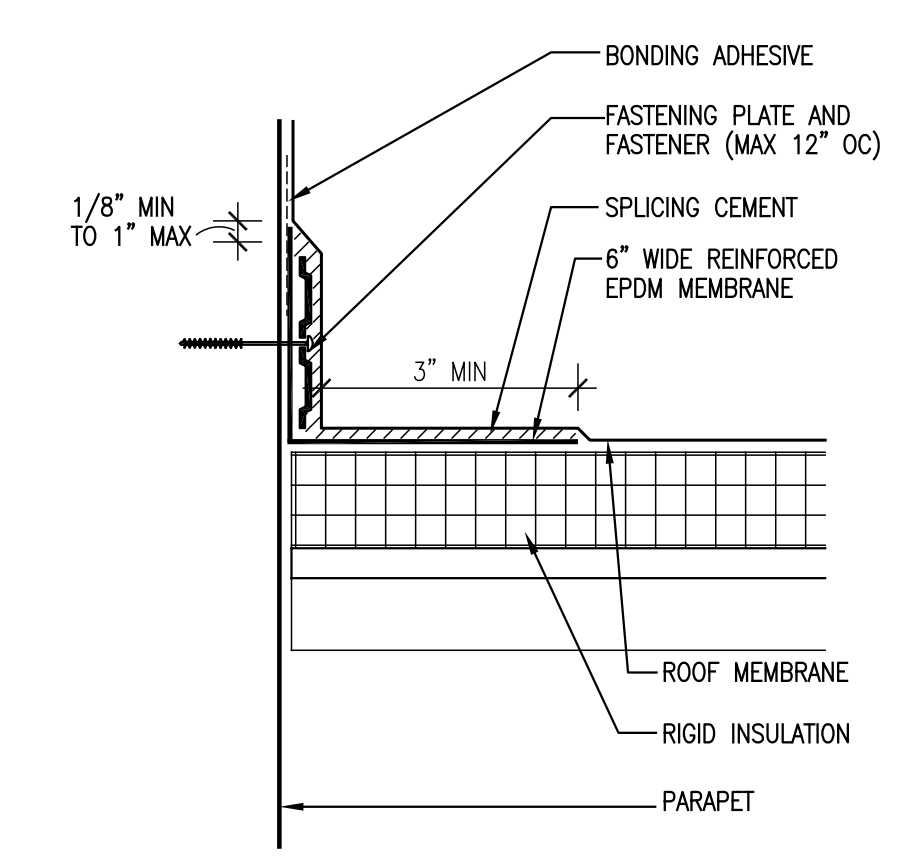
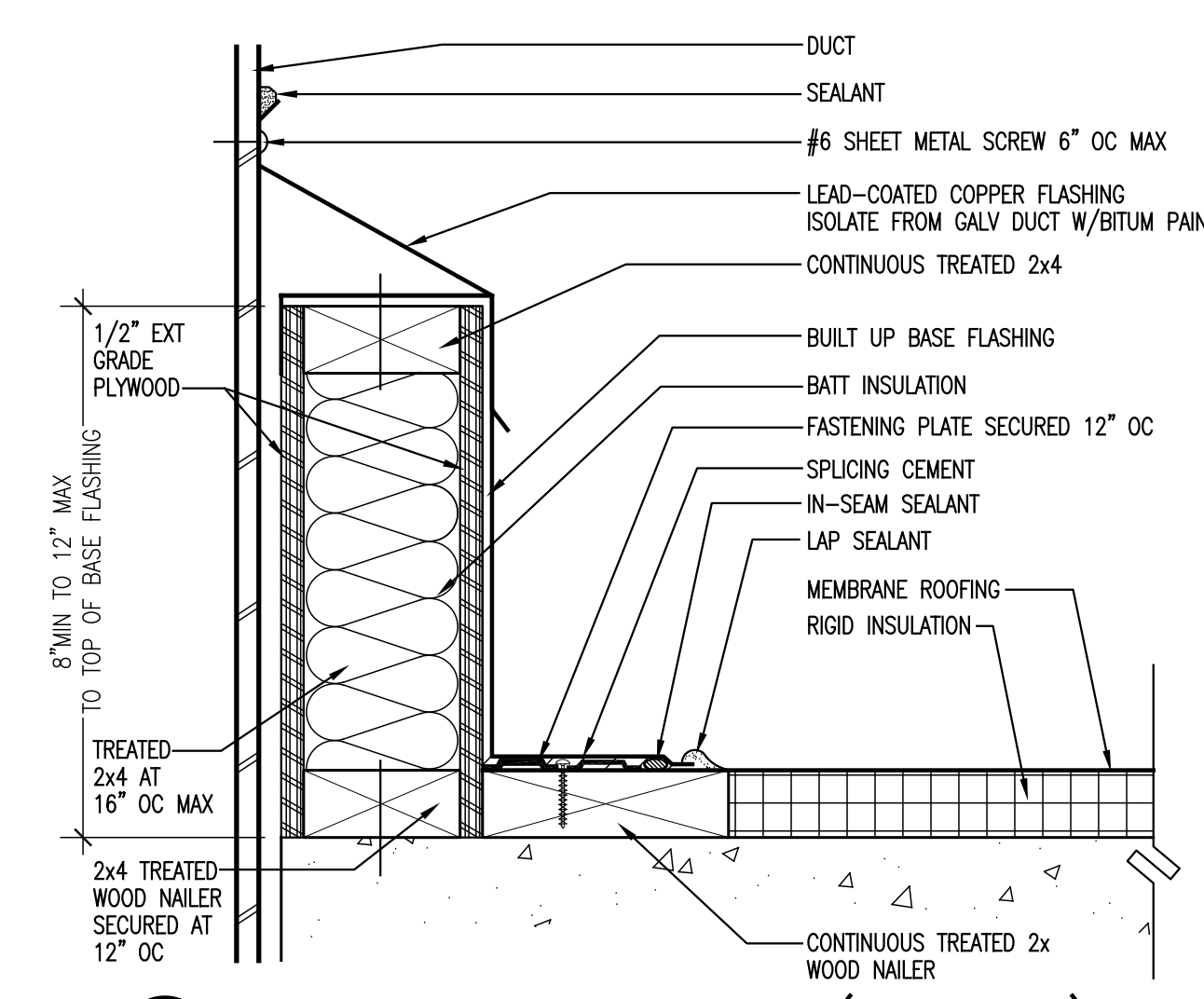


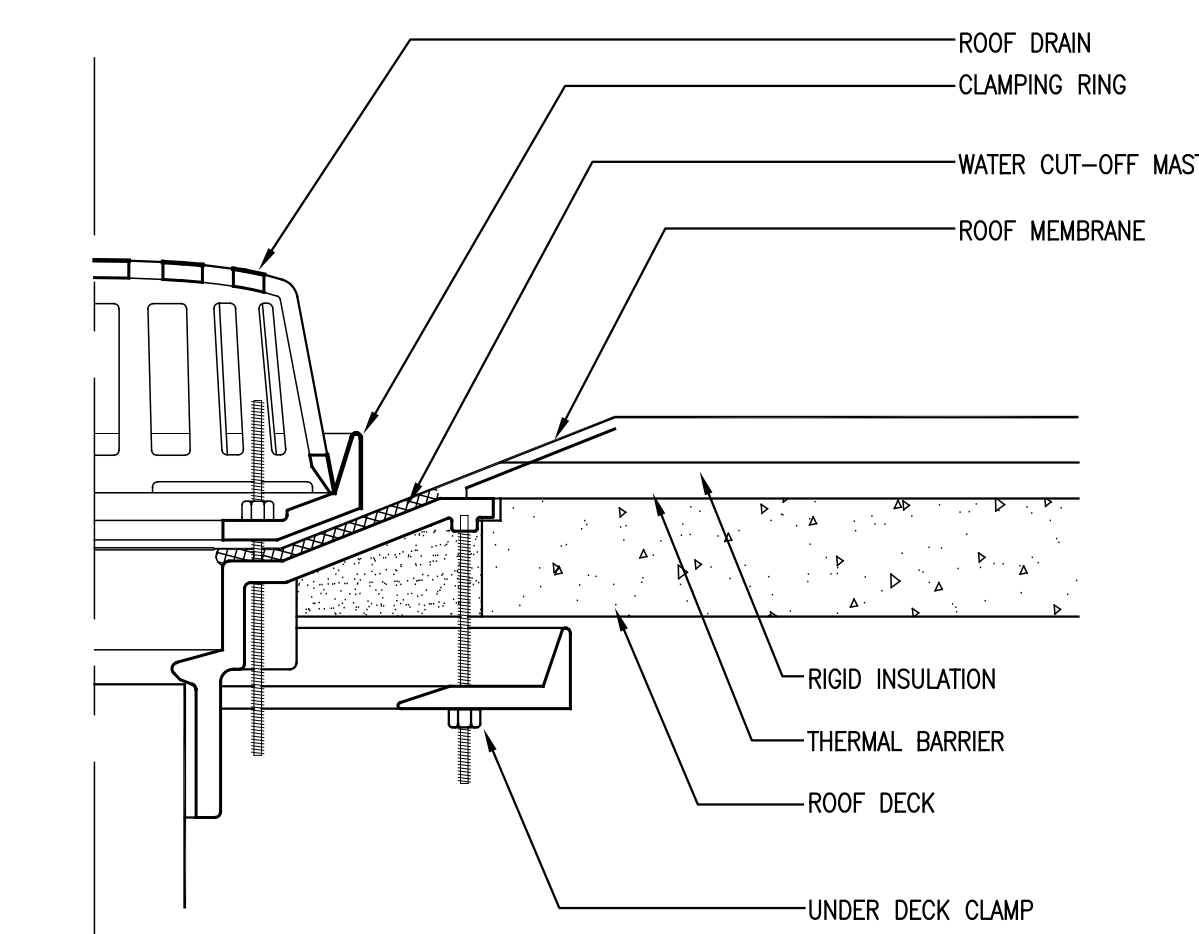
D1 ROOF ANCHOR DETAIL FOR WINDOW WASHING SYSTEM
SCALE: 1 1/2" = 1'-0"



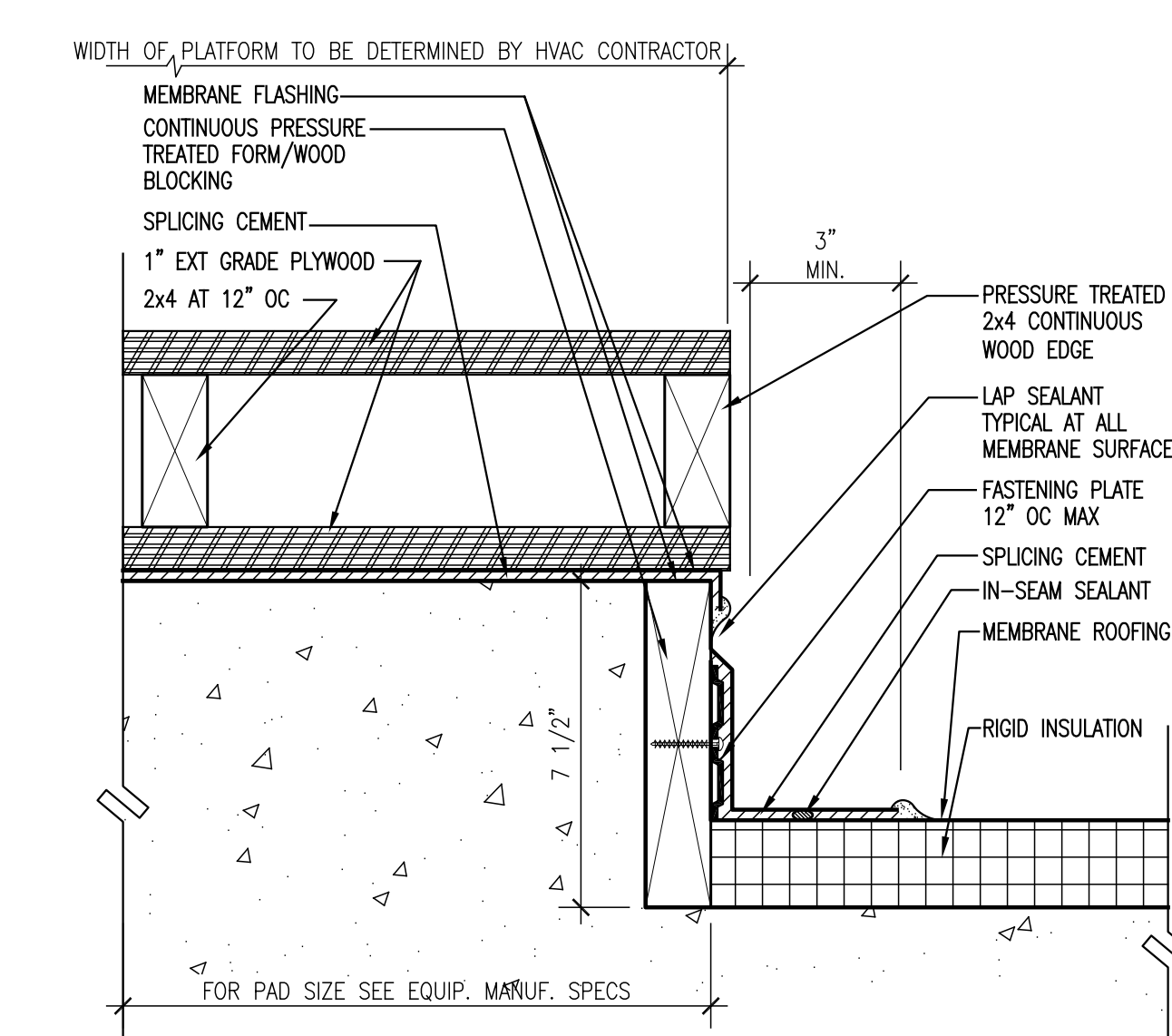
F1 ROOFING AT PARAPET (MEMBRANE)
SCALE: 3" = 1'-0"



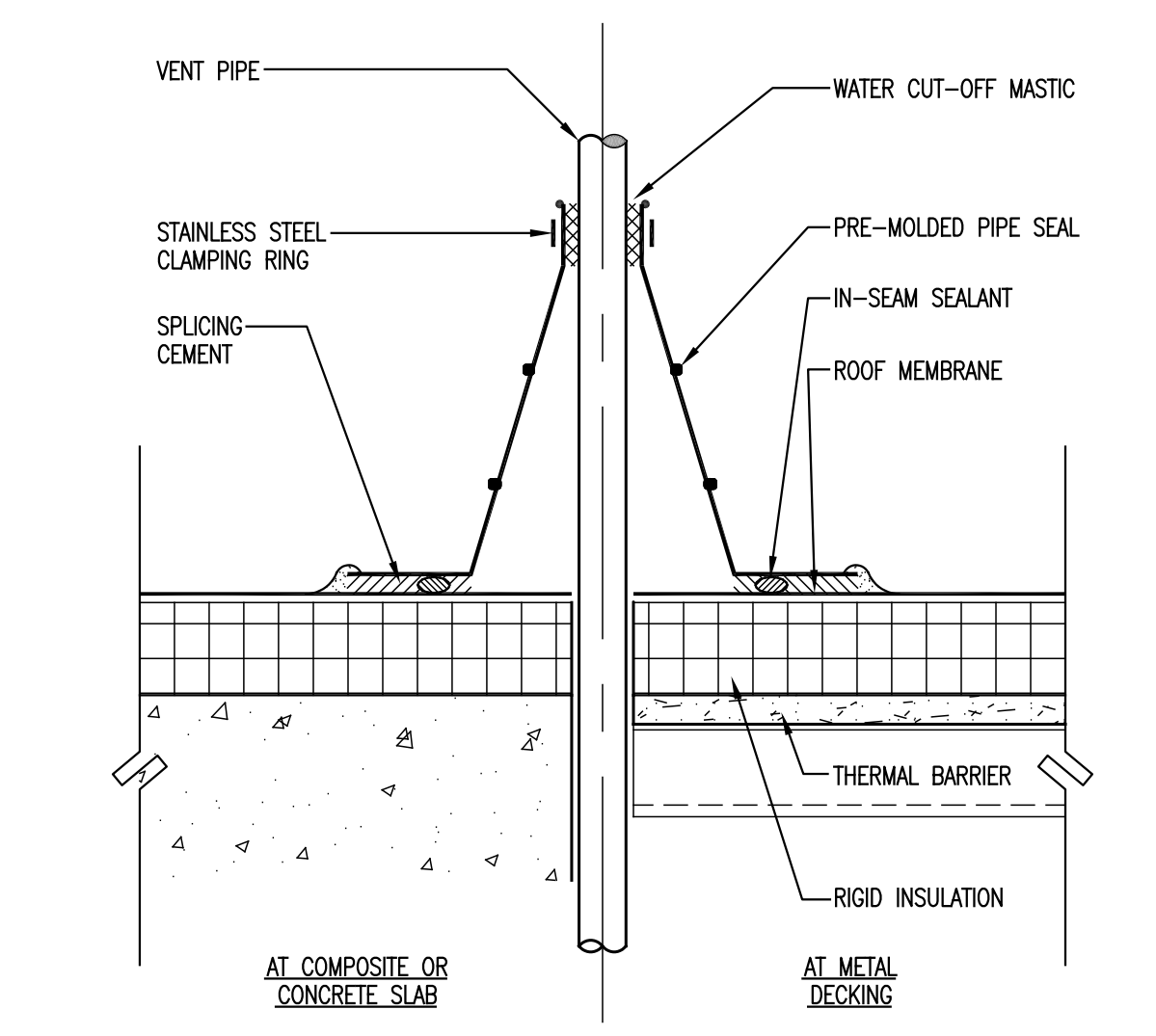
E2 CURB AT DUCT PENETRATION (MEMBRANE)
SCALE: 3" = 1'-0"



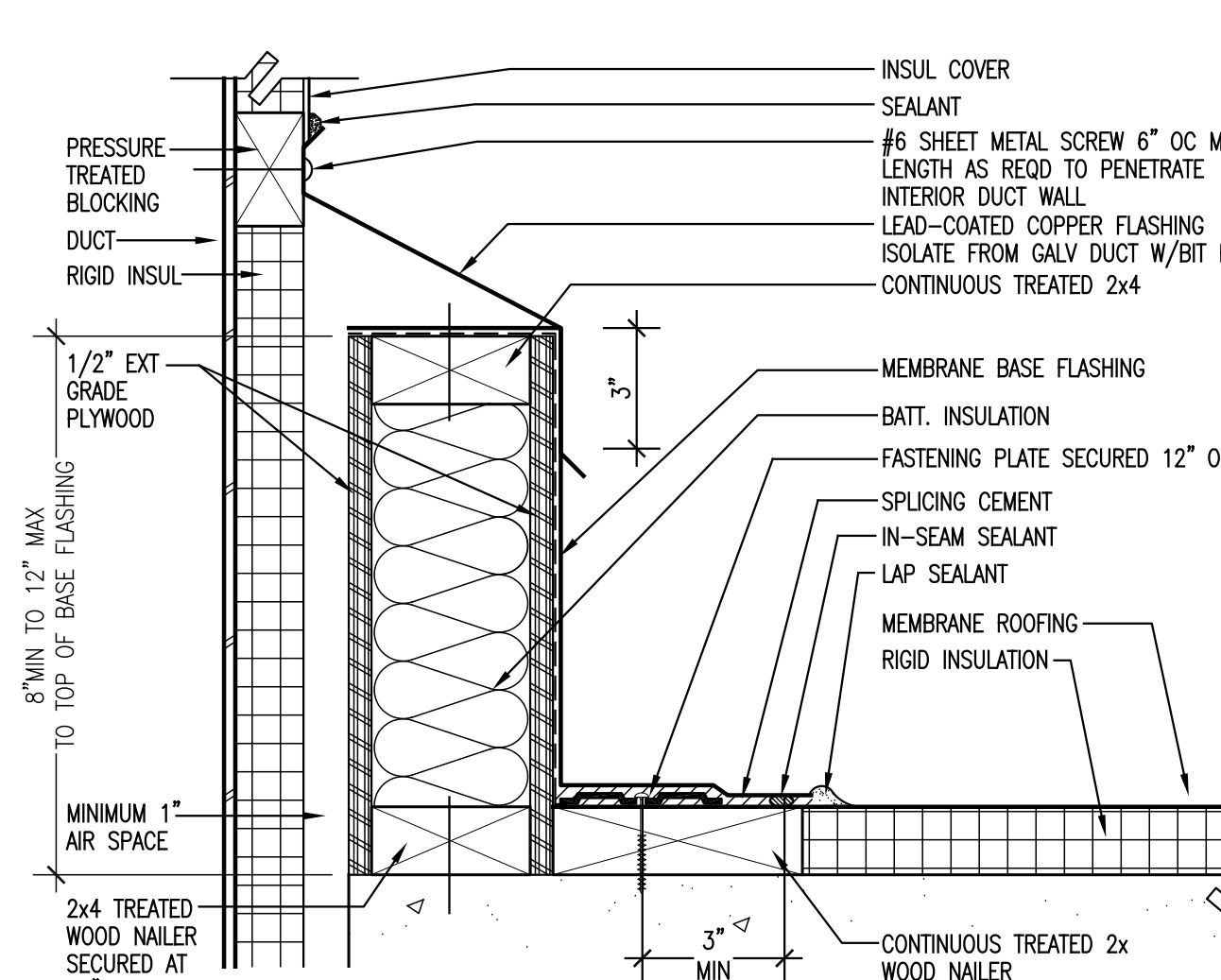
F2 ROOF DRAIN AT CONCRETE OR COMPOSITE DECK (MEMBRANE)
SCALE: 3" = 1'-0"



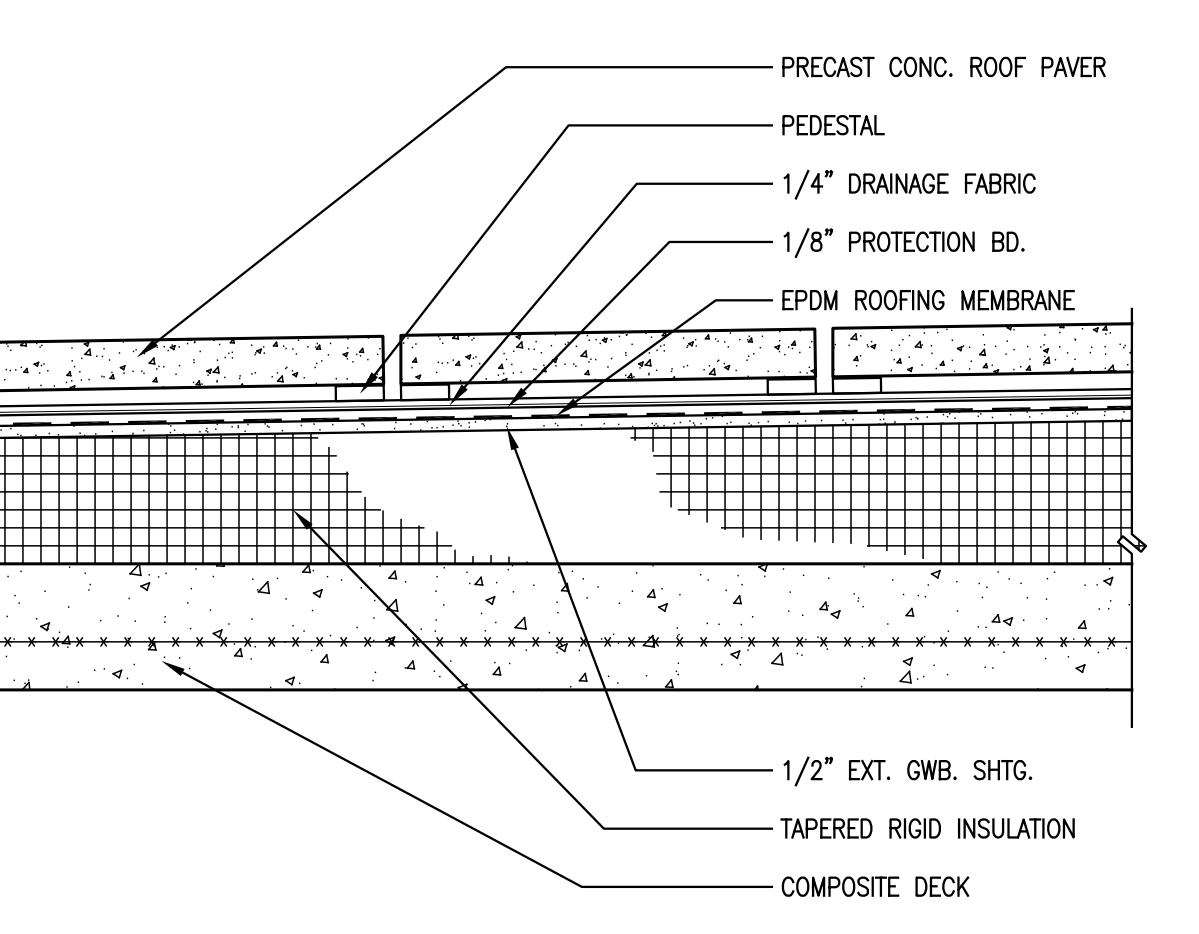
E3 CONCRETE PAD (MEMBRANE ROOF)
SCALE: 3" = 1'-0"



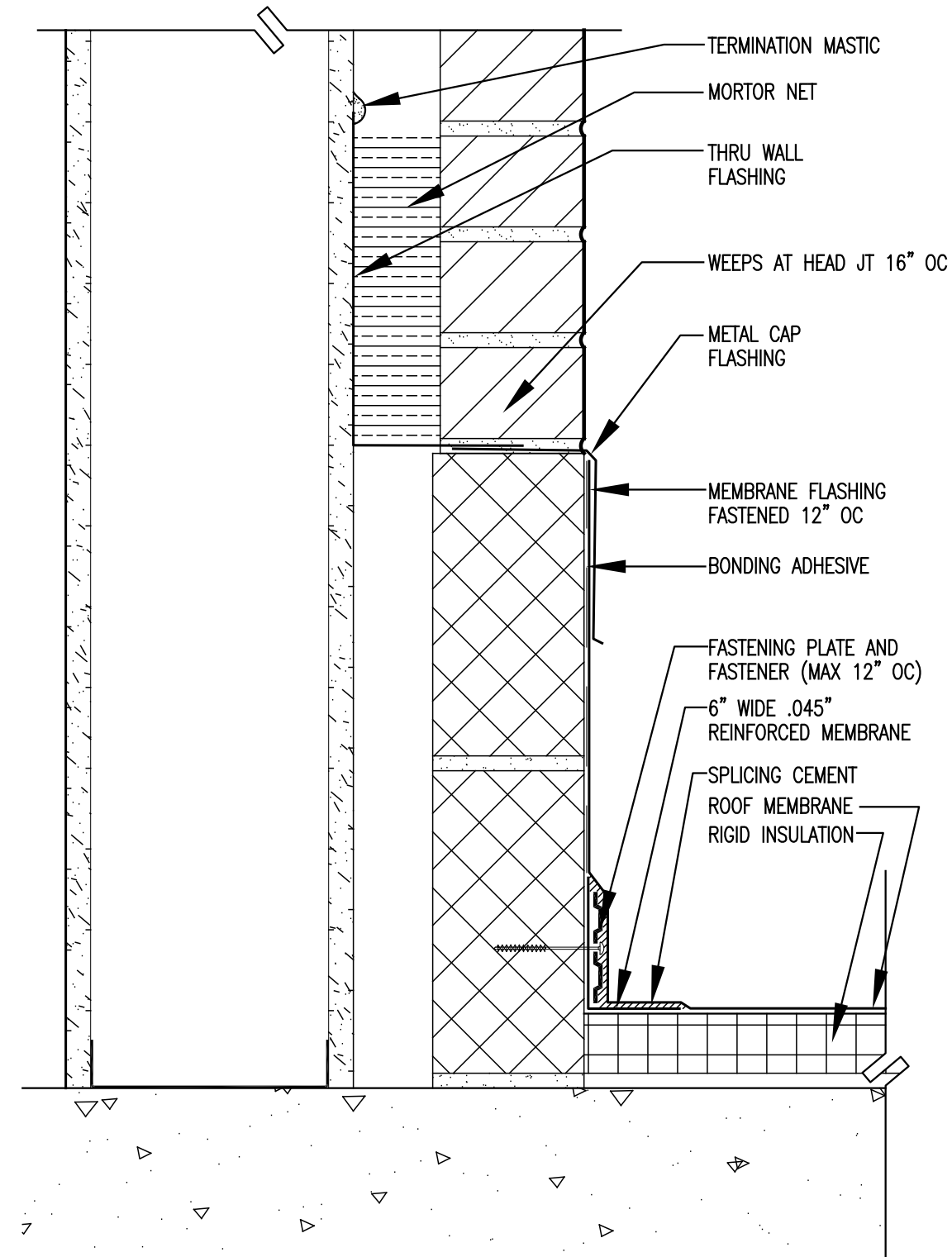
F3 PIPE PENETRATION DETAIL
SCALE: 3" = 1'-0"



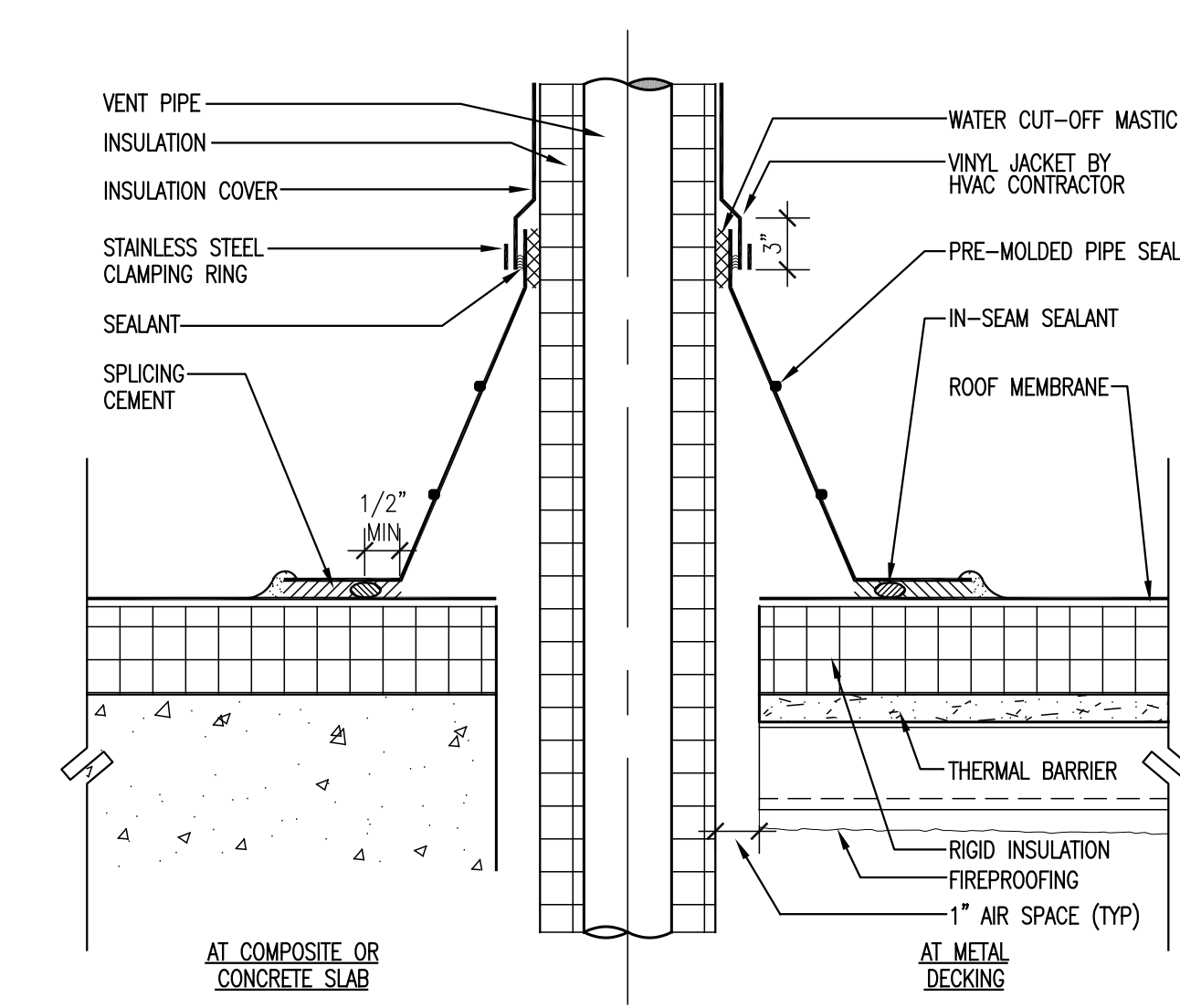
E4 CURB AT DUCT PENETRATION (MEMBRANE) SHOWING INSULATED DUCT
SCALE: 3" = 1'-0"



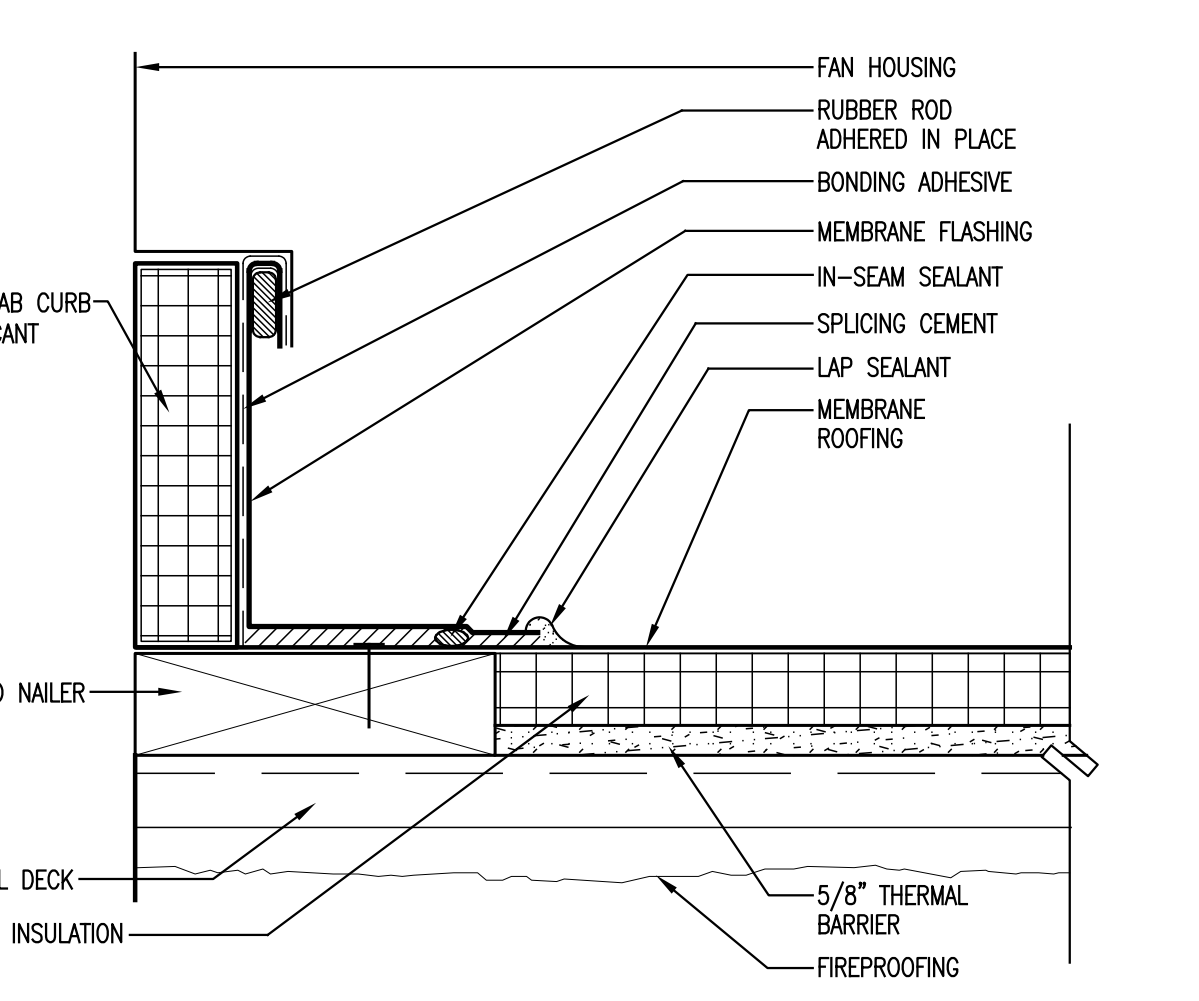
F4 EXTERIOR PAVERS ON MEMBRANE ROOFING DETAIL
SCALE: 1 1/2" = 1'-0"



D5 FLASHING DETAIL AT ROOF AND EXTERIOR BRICK WALL
SCALE: 3" = 1'-0"

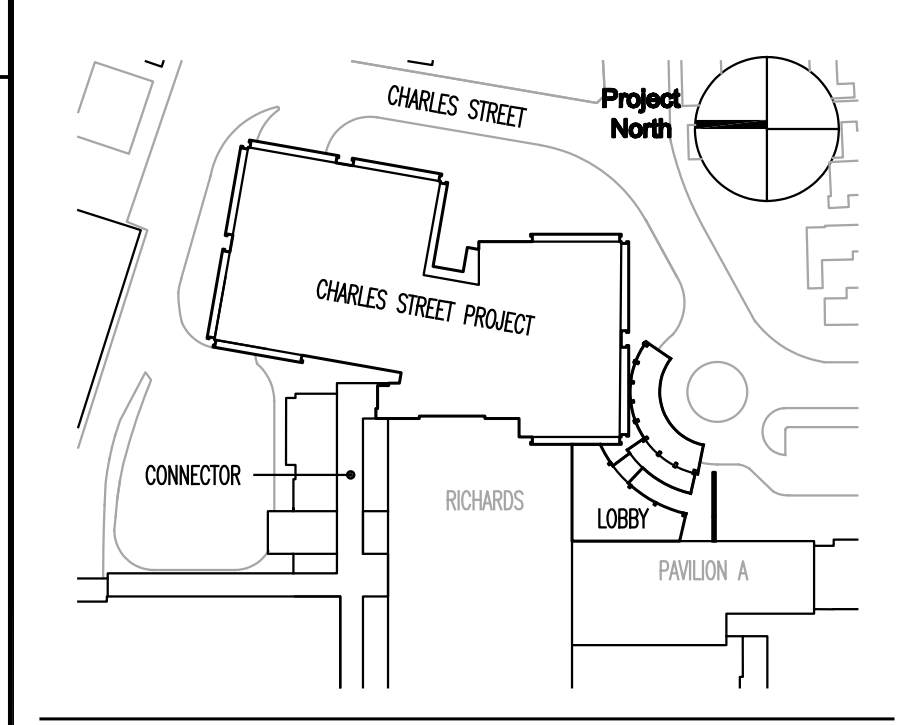


E5 INSULATED PIPE PENETRATION DETAIL
SCALE: 3" = 1'-0"



F5 PREFAB FAN CURB (MEMBRANE ROOF)
SCALE: 3" = 1'-0"

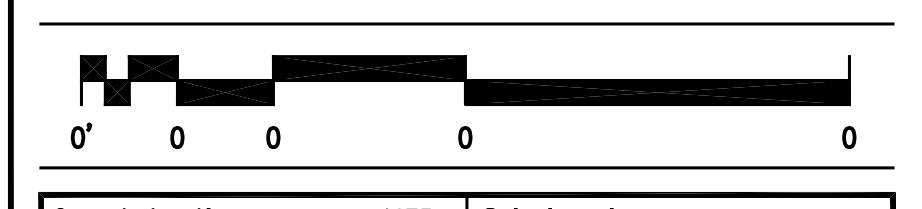
FOR PERMIT ONLY
NOT FOR CONSTRUCTION



TRO
ARCHITECTURE
PLANNING
ENGINEERING
INTERIOR DESIGN
The Ritchie Organization
80 Bridge Street
Newton, MA 02459-1194
978-550-9900

Maine Medical Center
Charles Street Project
Portland, Maine MMC Project No. 21841

Roof Details



Commission No.	4673	Date Issued	
Scale	AS NOTED	Sheet Number	
Drawn By	JW		
Approved By	RA		
Filename	4673A211.dwg		
Copyright	© 2014	The Ritchie Organization	

A211