

VALET

4

**ILSM STAIR 25
TEMPORARY STAIR DETAILS**

General Notes

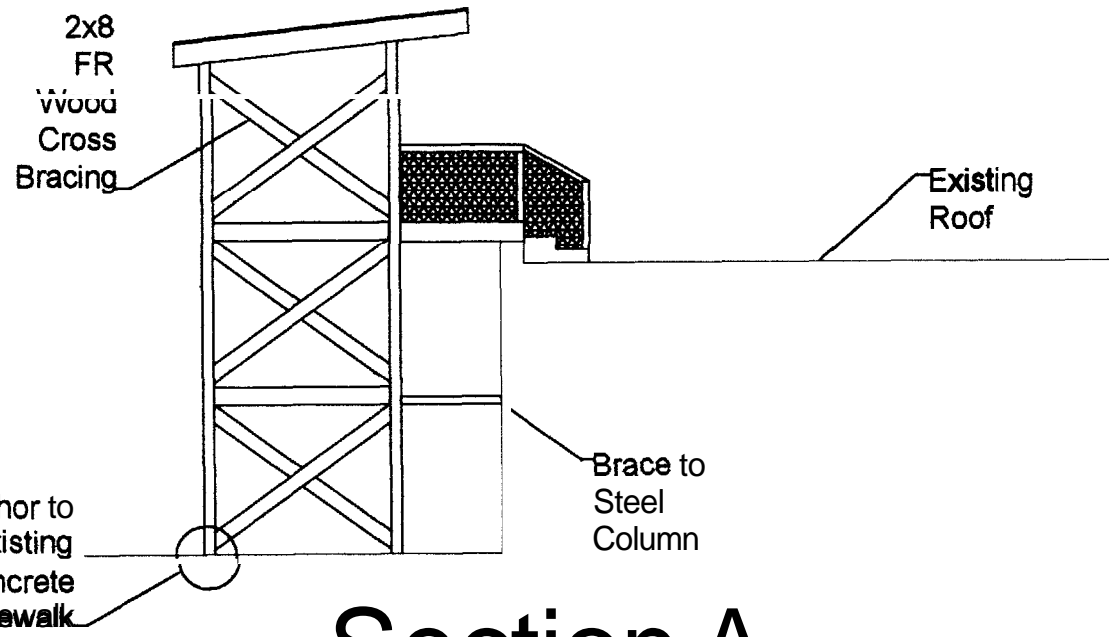
date List

No.	Revision/Issue	Date

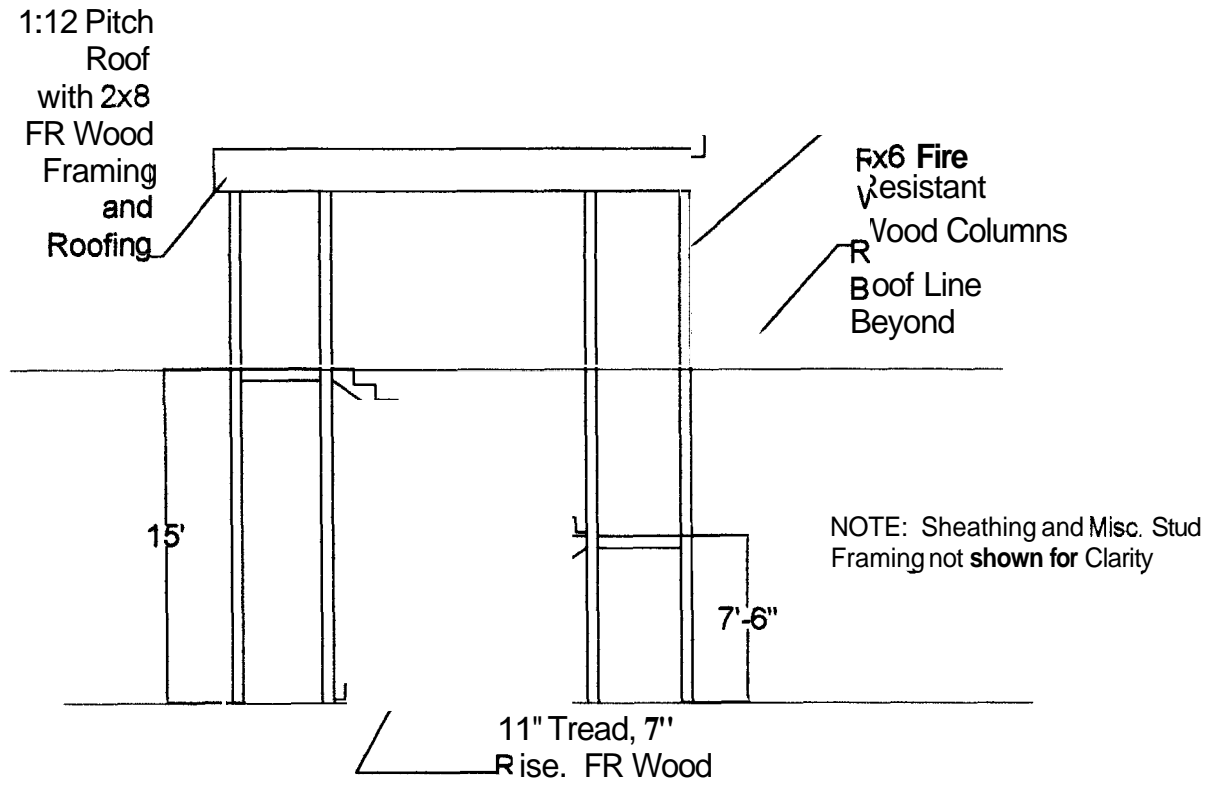


Maine Medical Center
CHARLES STREET
EXPANSION PROJECT
PORTLAND, MAINE

Drawn By TWP	1
Date 7-23-2006	
Scale NTS	



Section A



Section B

**ILSM STAIR 25
TEMPORARY STAIR DETAILS**

General Notes

Note List

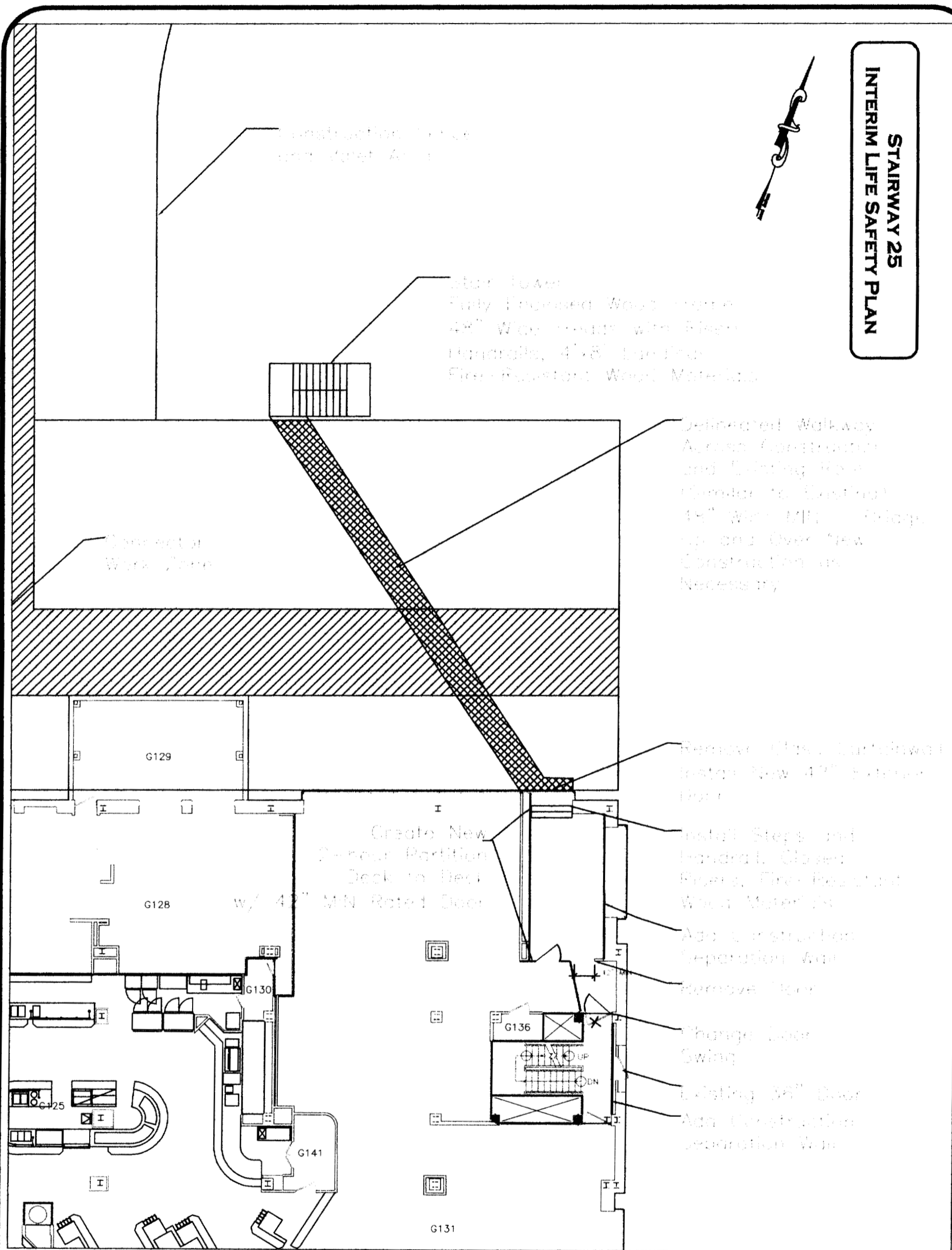
No.	Revision/Issue	Date



Maine Medical Center
CHARLES STREET
EXPANSION PROJECT
PORTLAND, MAINE

Drawn By	TWP	Sheet 2
Date	7-23-2006	
Scale	NTS	

STAIRWAY 25
INTERIM LIFE SAFETY PLAN



Construction Fence
 and Safety Area

Stair Tower
 Fully Enclosed Wood Frame
 48" Wide with Floor
 Handrails, 4x8" Lx6" Ply
 Fire-Resistant Wood Materials

Deconstructed
 Walkway

Deconstructed Walkway
 Across Construction
 and Existing Areas
 (Similar to Existing)
 48" Wide MN Rated Ply
 up and Over New
 Construction as
 Necessary

Remove Old Partitionwall
 Install New 48" Exterior
 Door

Create New
 2-hour Partition
 Deck in Room
 w/ 48" MN Rated Door

Install Steps and
 Handrail. Close
 Pipes, Fire-Resistant
 Wood Materials

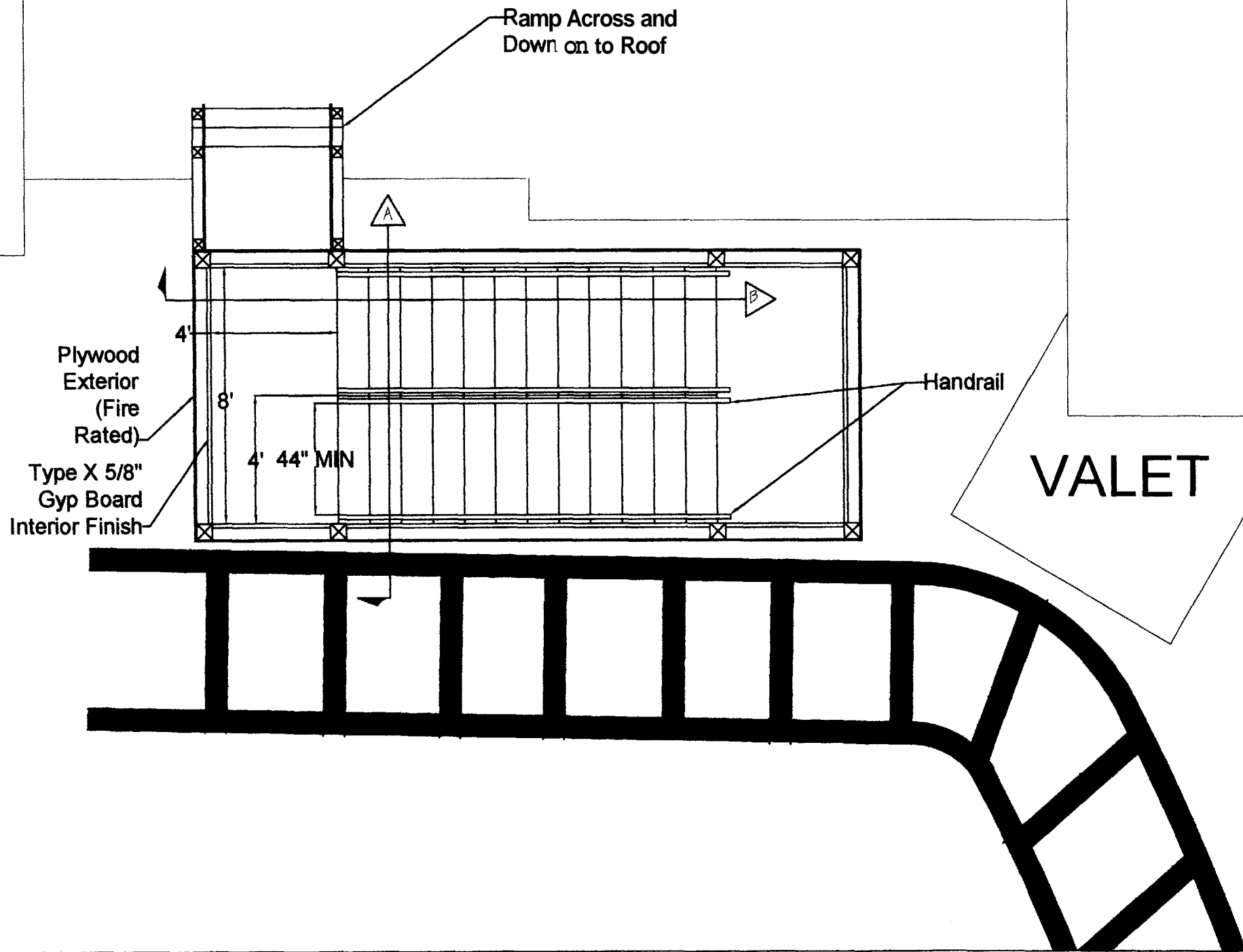
Add Construction
 Separation Wall
 Remove Door

Change Door
 Swing

Existing 36" Door
 Add Construction
 Separation Wall

- General Notes
- Egress onto rooftop, similar to before.
 - All wood materials to be fire-resistant with certification stamps.

		<table border="1"> <tr> <td>No.</td> <td>2</td> <td>For MJC & SHIP Studies 1/1/2006</td> <td>Revision/Issue</td> <td>Date</td> </tr> </table>	No.	2	For MJC & SHIP Studies 1/1/2006	Revision/Issue	Date
No.	2	For MJC & SHIP Studies 1/1/2006	Revision/Issue	Date			
<table border="1"> <tr> <td> </td> <td> TYP 30 JUN 2006 NTS </td> </tr> </table>		TYP 30 JUN 2006 NTS					
	TYP 30 JUN 2006 NTS						



**ILSM STAIR 25
TEMPORARY STAIR DETAILS**

General Notes

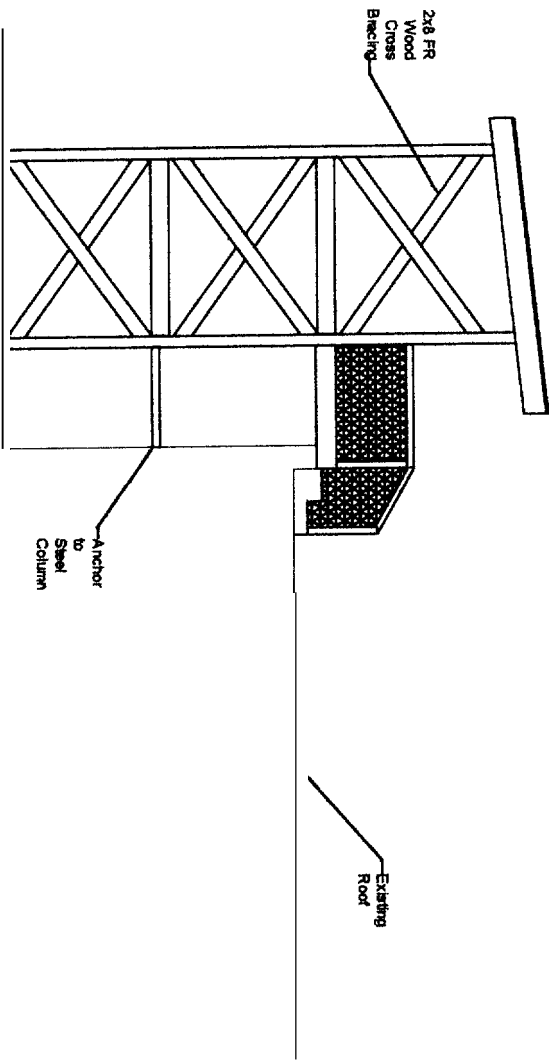
Note List

No.	Revision/Issue	Date

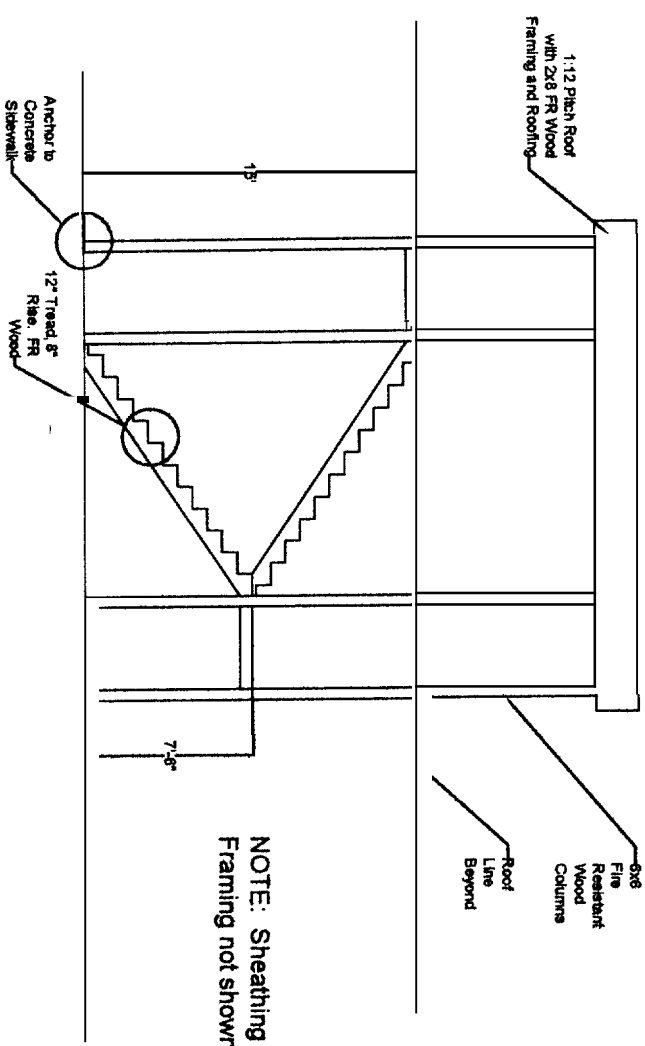


Maine Medical Center
CHARLES STREET
EXPANSION PROJECT
PORTLAND, MAINE

Drawn By TWP	1
Date 7-23-2008	
Scale NTS	



Section A

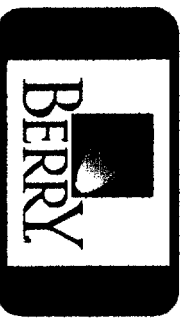


NOTE: Sheathing and Misc. Stud Framing not shown for Clarity

Section B

ILSM STAIR 25
TEMPORARY STAIR DETAILS

No.	Revisions/Issues	Date



Maine Medical Center
CHARLES STREET
EXPANSION PROJECT
PORTLAND, MAINE

Drawn by	TWP	Sheet	2
Date	7-23-2008	NTS	