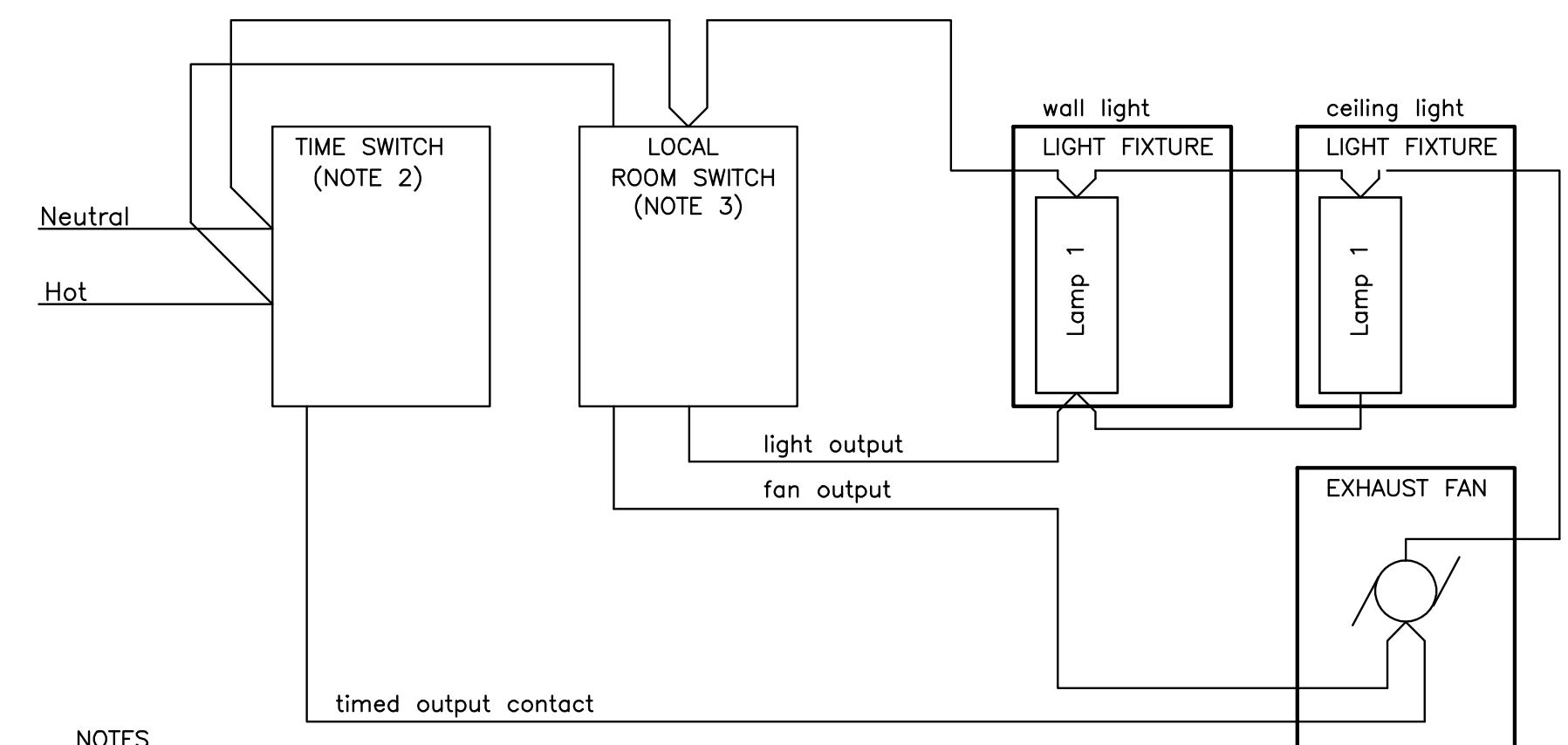
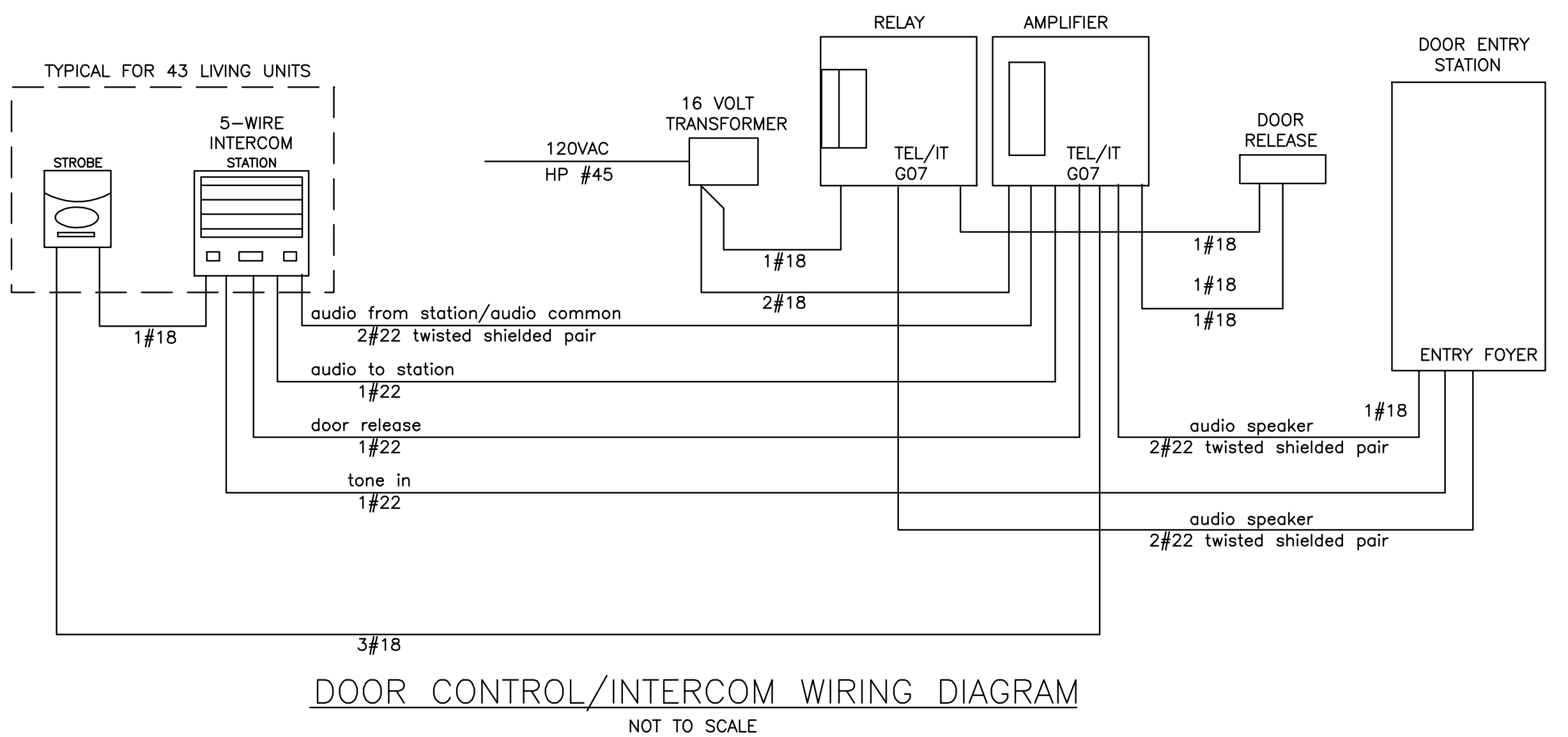


MOTION CONTROLLED LIGHTING CONTROL DIAGRAMS
NOT TO SCALE



- NOTES
- SEQUENCE OF OPERATION:
 - ROOM SWITCH SHALL TURN ON LIGHTS AND FAN SIMULTANEOUSLY. WHEN SWITCH IS TURNED OFF, LIGHTS SHALL TURN OFF AND FAN SHALL CONTINUE RUNNING FOR 20 MINUTES BEFORE TURNING OFF.
 - WHEN TIME SWITCH OUTPUT CONTACTS CLOSE, THE FAN SHALL AUTOMATICALLY RUN FOR 20 MINUTES, REGARDLESS OF THE POSITION OF THE LOCAL ROOM SWITCH.
 - TIME SWITCH SHALL BE TORK MODEL 701A, OR EQUAL. AT LIVING UNITS, INSTALL TIME SWITCH (RECESSED) INSIDE ADJACENT CLOSET.
 - LOCAL LIGHT/FAN SWITCH SHALL BE SUPPLIED BY MECHANICAL DIVISION 23 AND SHALL BE INSTALLED BY ELECTRICAL DIVISION 26.

Crescent Heights
Apartment Suites
Portland, Maine

Owner
Crescent Heights LLC

Architect
Winton Scott Architects

Landscape / Civil Engineer
DeLuca-Hoffman Associates, Inc.

Structural Engineer
Becker Structural Eng.

Mechanical Engineer
Mechanical Systems Eng.

Lighting / Electrical Engineer
Bartlett Design

DETAIL SHEETS

ELECTRICAL
DIAGRAMS

E3.1

Scale: AS NOTED

MARCH 17, 2009