

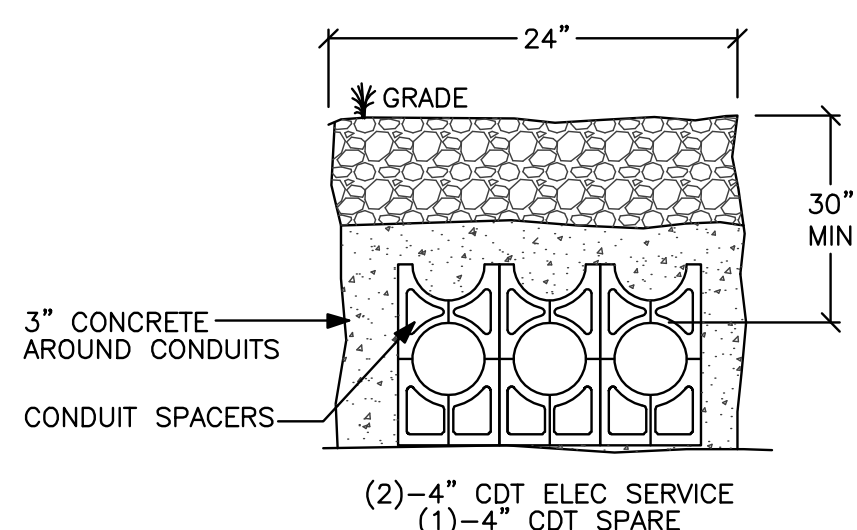
ELECTRICAL SYMBOLS

PLAN SYMBOLS

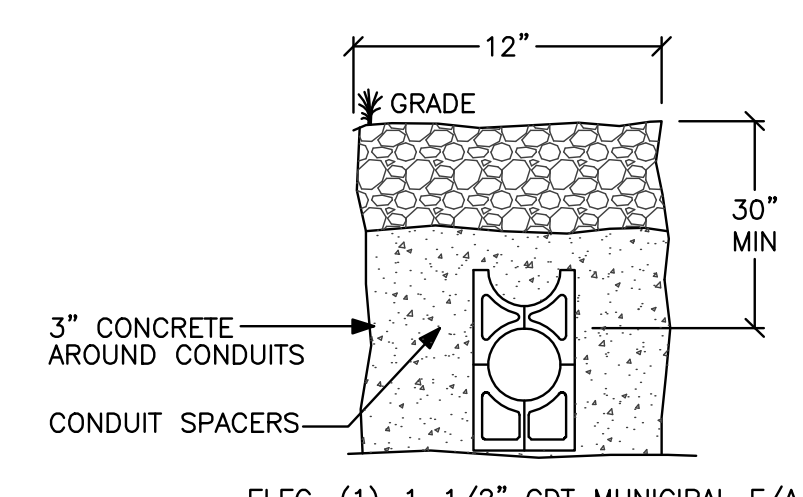
SYMBOL	DESCRIPTION
	125V, 20A, DUPLEX GROUNDED RECEPTACLE GFI = Ground Fault Type WP = Weatherproof AC = Mount 6" Above Sink or Counter
	125V, 20A, QUAD GROUNDED RECEPTACLE
	250V, SINGLE GROUNDED RECEPTACLE
	Ampere Rating
	TELEPHONE OUTLET (WALL MTD.)
	CABLE TELEVISION OUTLET
	PHOTOCELL
	MOTION DETECTOR
	MANUAL MOTOR SWITCH
	FIRE ALARM SMOKE DETECTOR Indicates Localized Smoke Detector
	FIRE ALARM AUDIO VISUAL
	FIRE ALARM PULL STATION
	FIRE ALARM HEAT DETECTOR
	ELECTRONIC DOOR HOLDER
	HANDICAP DOOR OPENER
	JUNCTION BOX
	#2 CEILING MTD. FLUORESCENT LIGHT FIXTURE Load Center Circuit Number Fixture Designation
	#2 WALL MOUNTED LIGHT FIXTURE
	#2 RECESSED/CEILING MOUNTED LIGHT FIXTURE
	S ³ LIGHT/DEVICE SWITCH 3 = Three-Way Type
	ELECTRIC LOAD CENTER/PANELBOARD

SINGLE LINE DIAGRAM SYMBOLS

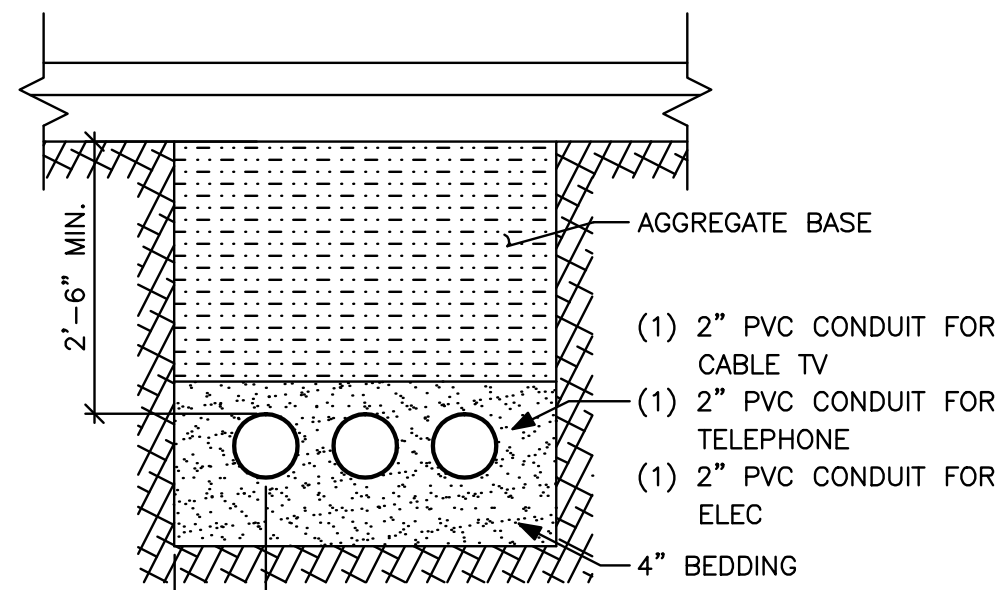
SYMBOL	DESCRIPTION
	Ampere Frame Rating (3 poles Except as Noted Otherwise)
	CIRCUIT BREAKER
	Ampere Trip Rating
	ELECTRICAL CONNECTION
	GROUND CONNECTION
	EQUIPMENT ENCLOSURE
	TRANSFORMER
	200/3 UNFUSED SWITCH No. of Poles Ampere Rating
	UTILITY CO. SERVICE METER



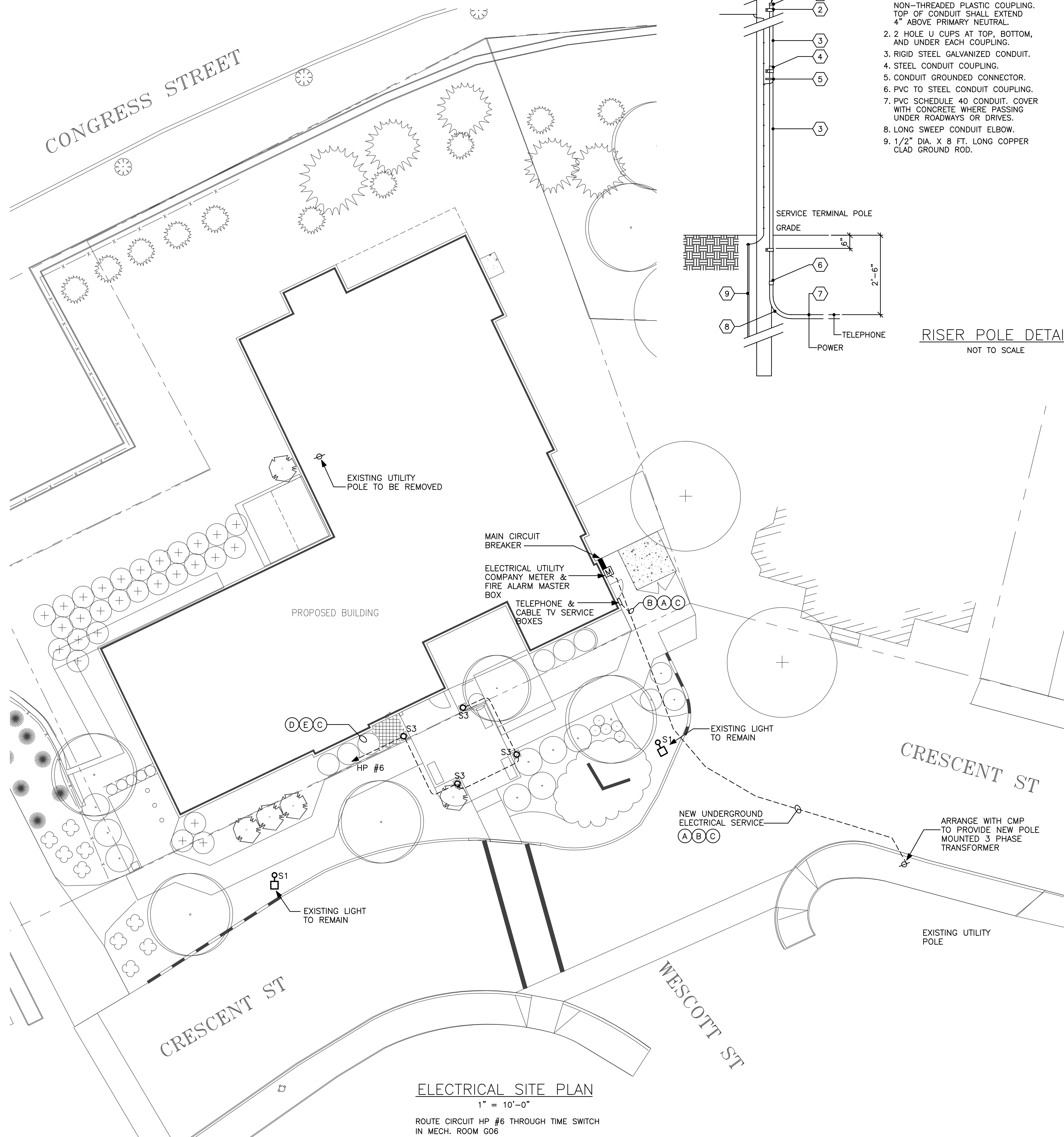
DUCT SECTION A
NOT TO SCALE



DUCT SECTION B
NOT TO SCALE

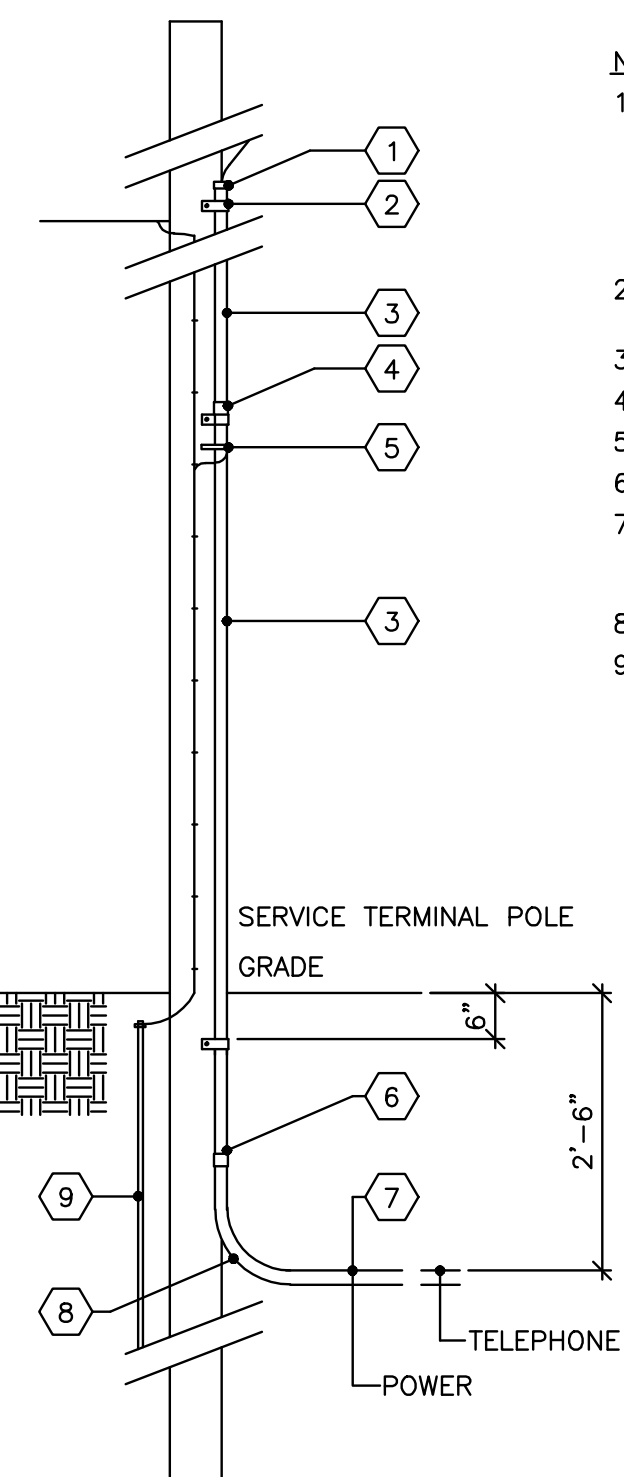


DUCT SECTION C
NOT TO SCALE



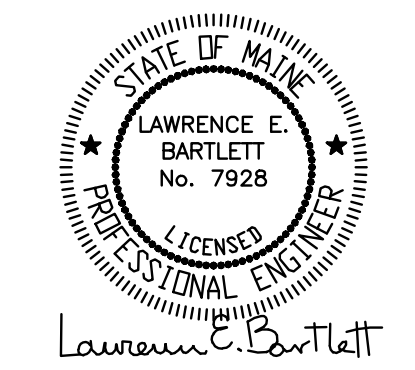
ELECTRICAL SITE PLAN
1" = 10'-0"

ROUTE CIRCUIT HP #6 THROUGH TIME SWITCH
IN MECH. ROOM G06



RISER POLE DETAIL
NOT TO SCALE

- NOTES:
1. SEAL TOP OF CONDUIT WITH POLYURETHANE SEALER. TOP OF CONDUIT SHALL HAVE A DOUBLE NON-THREADED PLASTIC COUPLING. TOP OF CONDUIT SHALL EXTEND 4" ABOVE PRIMARY NEUTRAL.
 2. 2 HOLE U CUPS AT TOP, BOTTOM, AND UNDER EACH COUPLING.
 3. RIGID STEEL GALVANIZED CONDUIT.
 4. STEEL CONDUIT COUPLING.
 5. CONDUIT GROUNDED CONNECTOR.
 6. PVC TO STEEL CONDUIT COUPLING.
 7. PVC SCHEDULE 40 CONDUIT. COVER WITH CONCRETE WHERE PASSING UNDER ROADWAYS OR DRIVES.
 8. LONG SWEEP CONDUIT ELBOW.
 9. 1/2" DIA. X 8 FT. LONG COPPER CLAD GROUND ROD.



**Crescent Heights
Apartment Suites**
Portland, Maine

Owner
Crescent Heights LLC

Architect
Winton Scott Architects

Landscape / Civil Engineer
DeLuca-Hoffman Associates, Inc.

Structural Engineer
Becker Structural Eng.

Mechanical Engineer
Mechanical Systems Eng.

Lighting / Electrical Engineer
Bartlett Design

DETAIL SHEETS

ELECTRICAL
SITE PLAN

E0.1

Scale: AS NOTED

MARCH 17, 2009