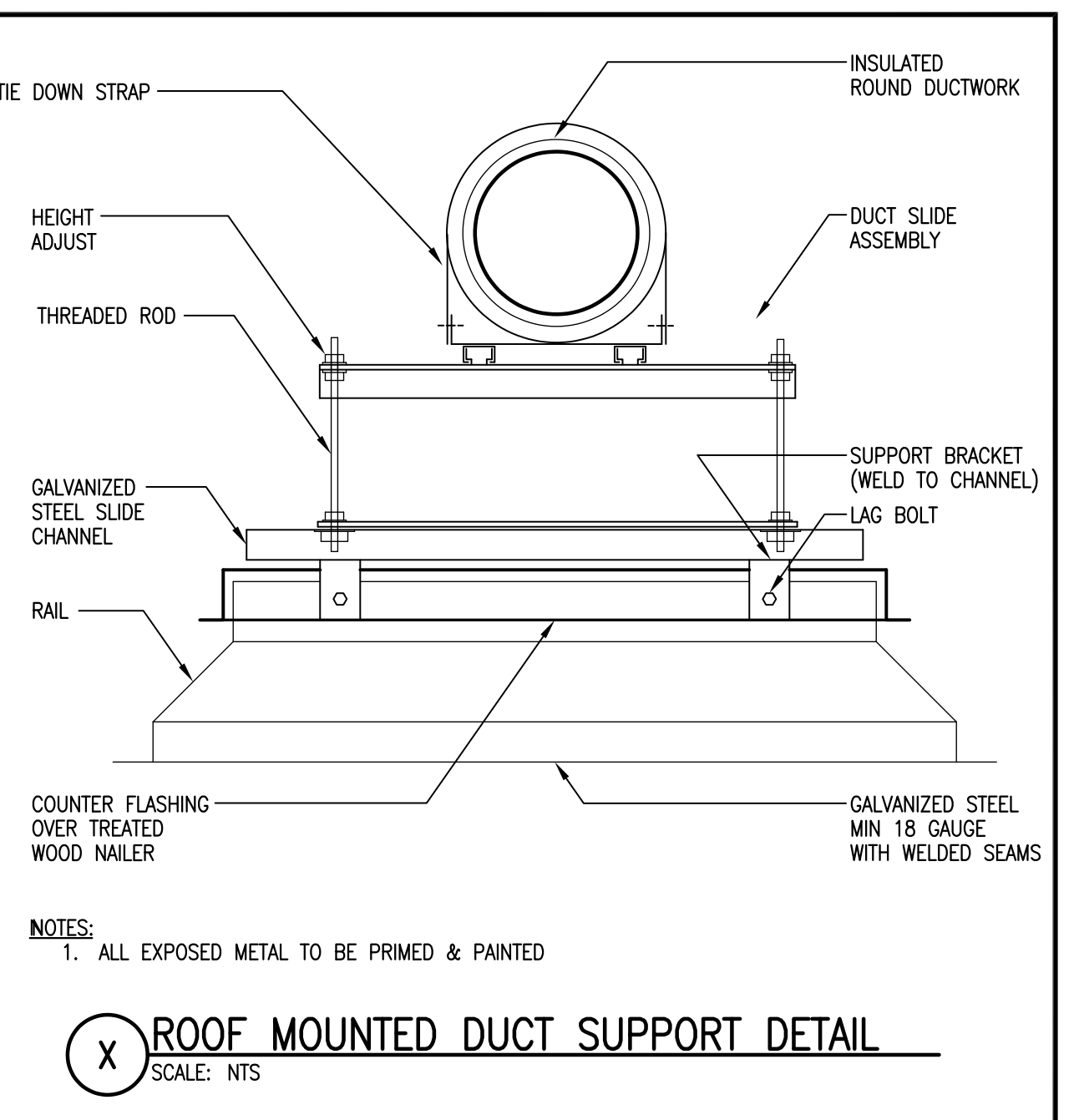
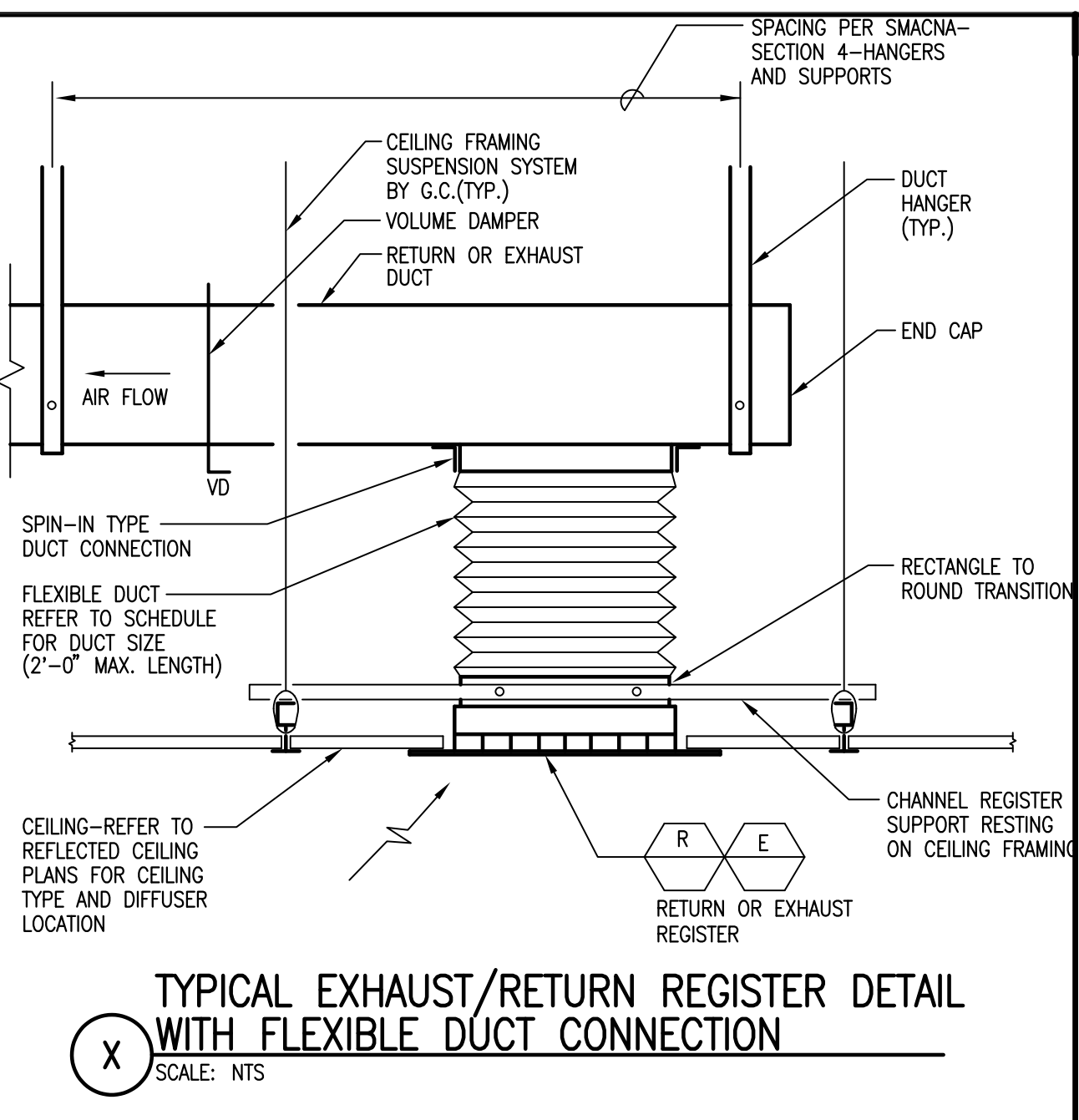
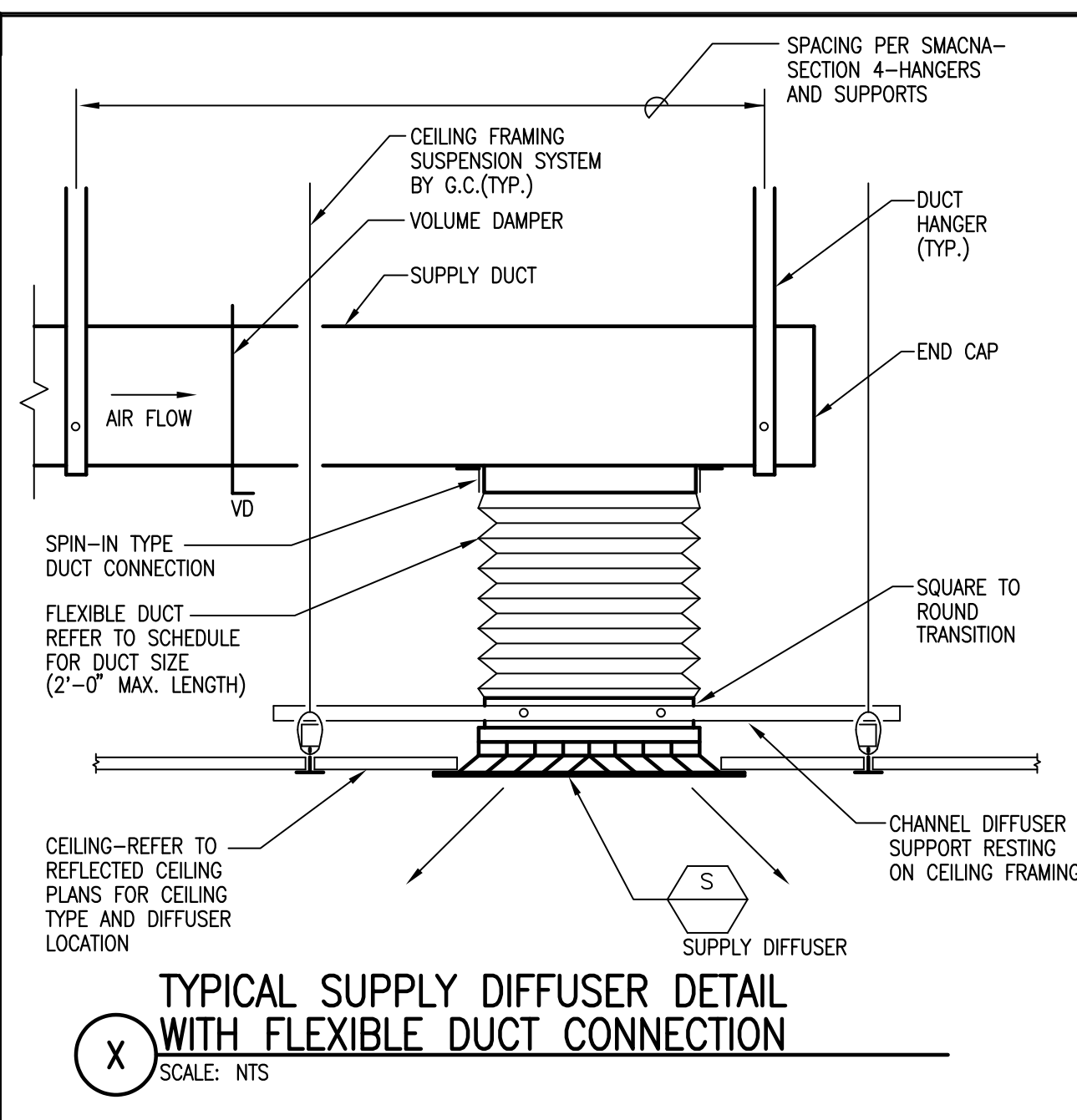
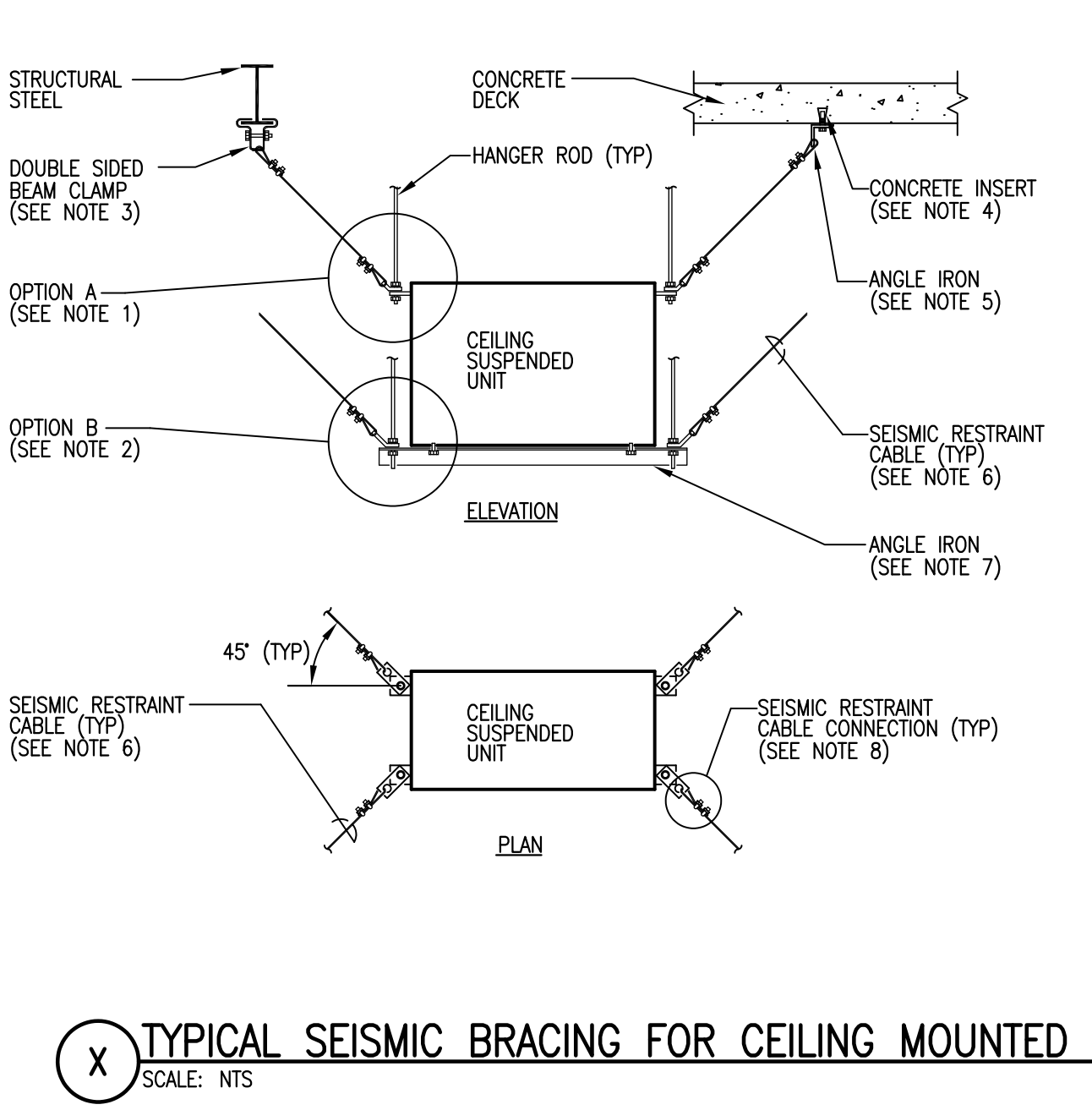
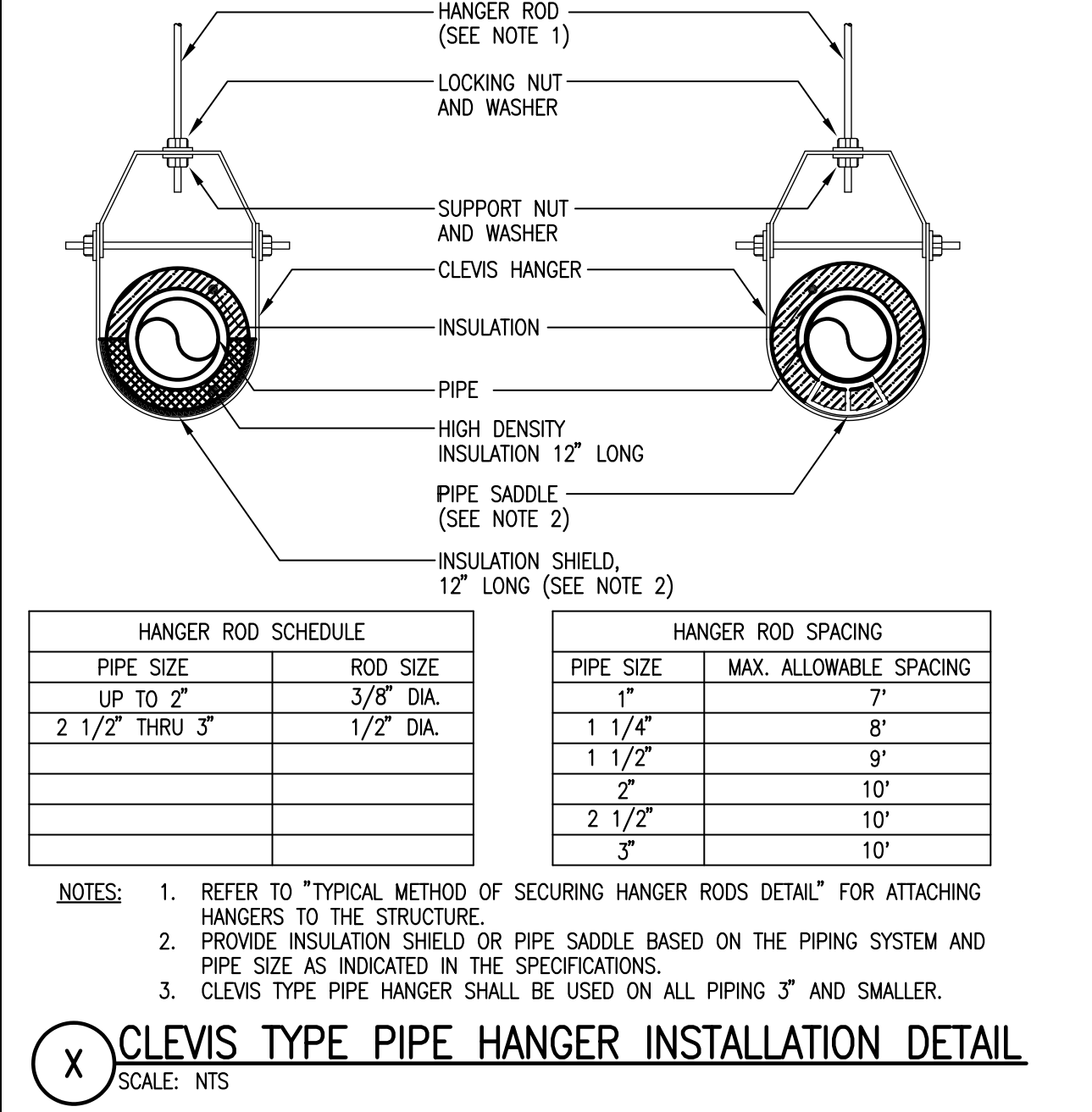
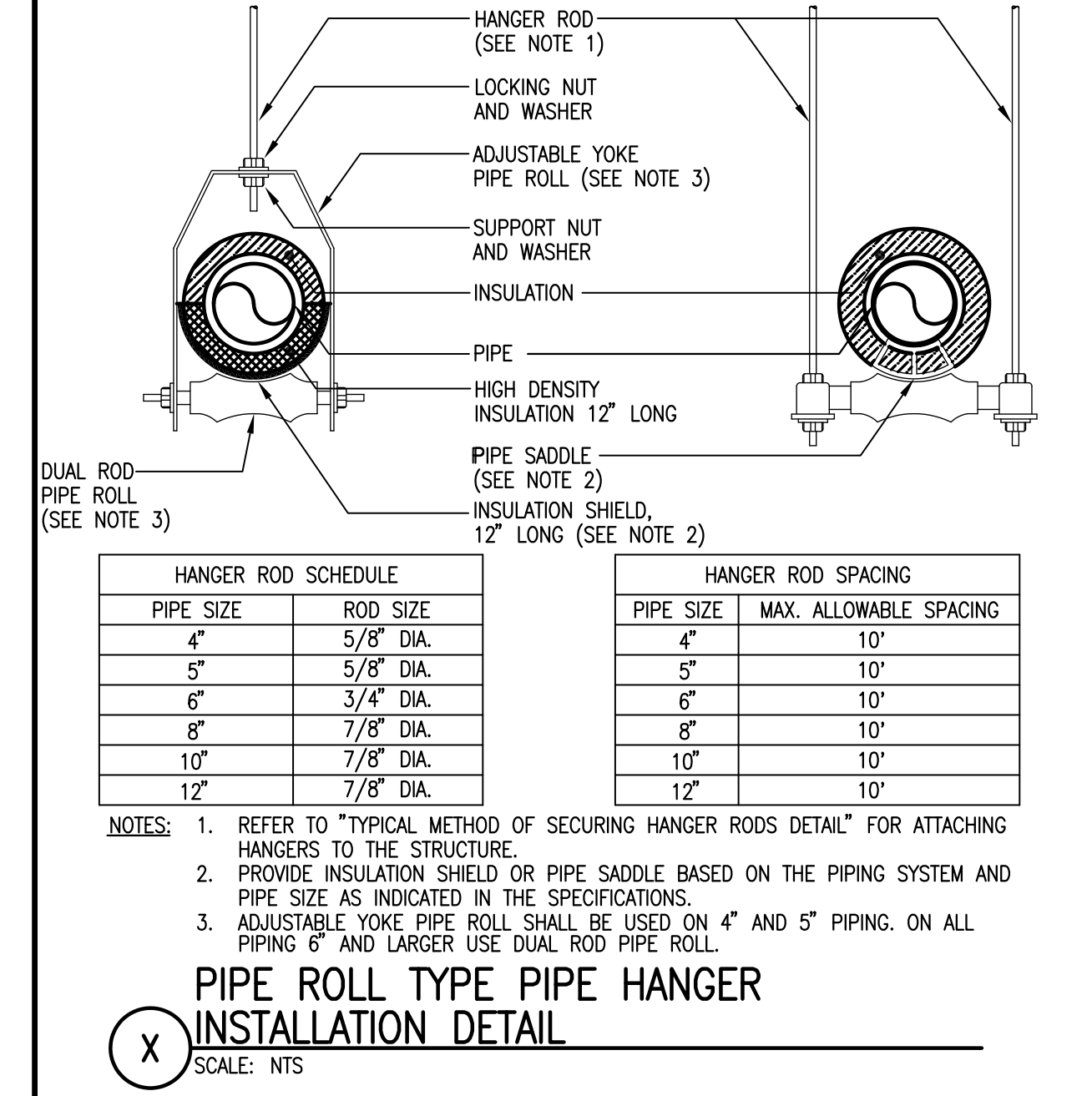
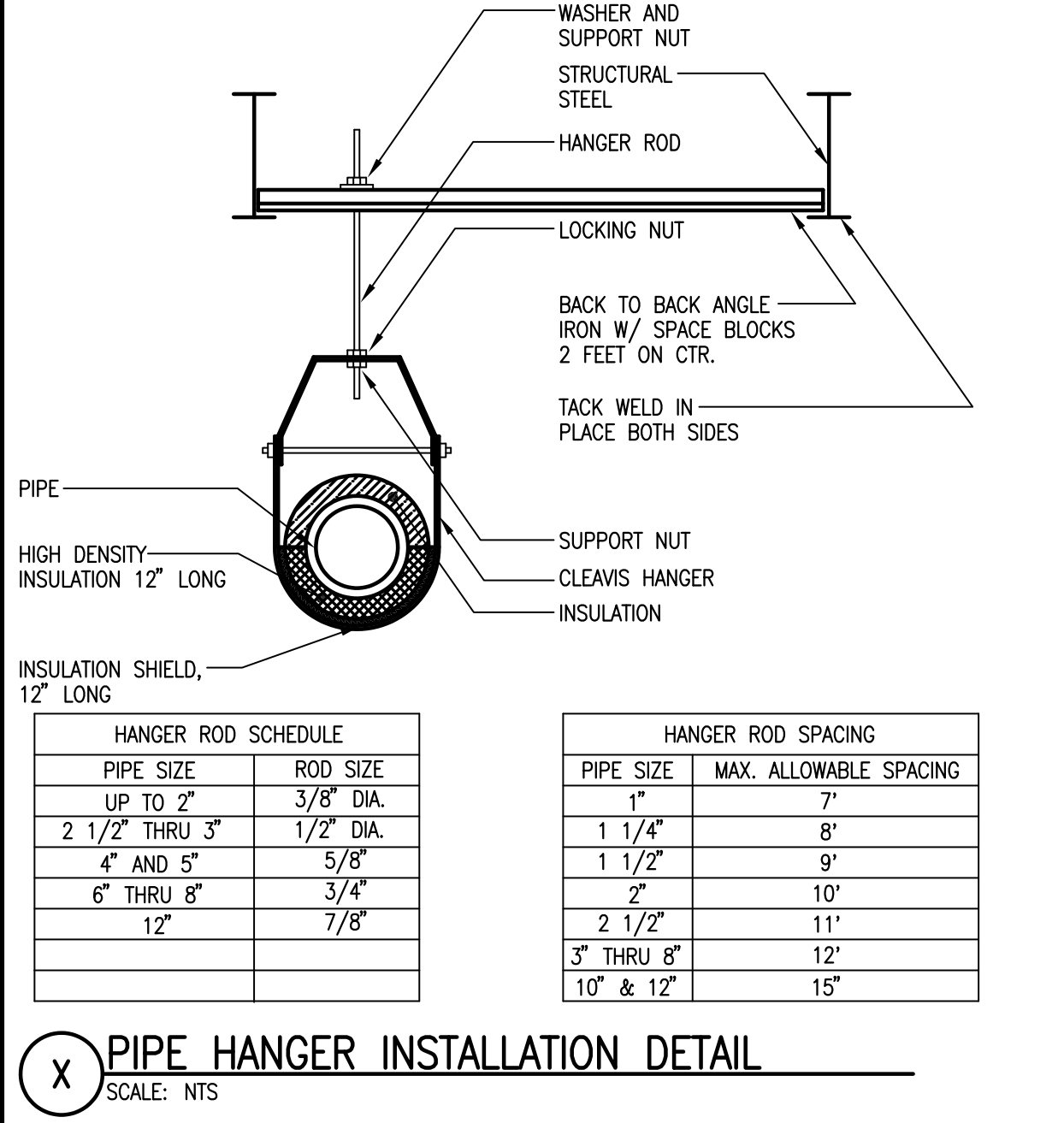
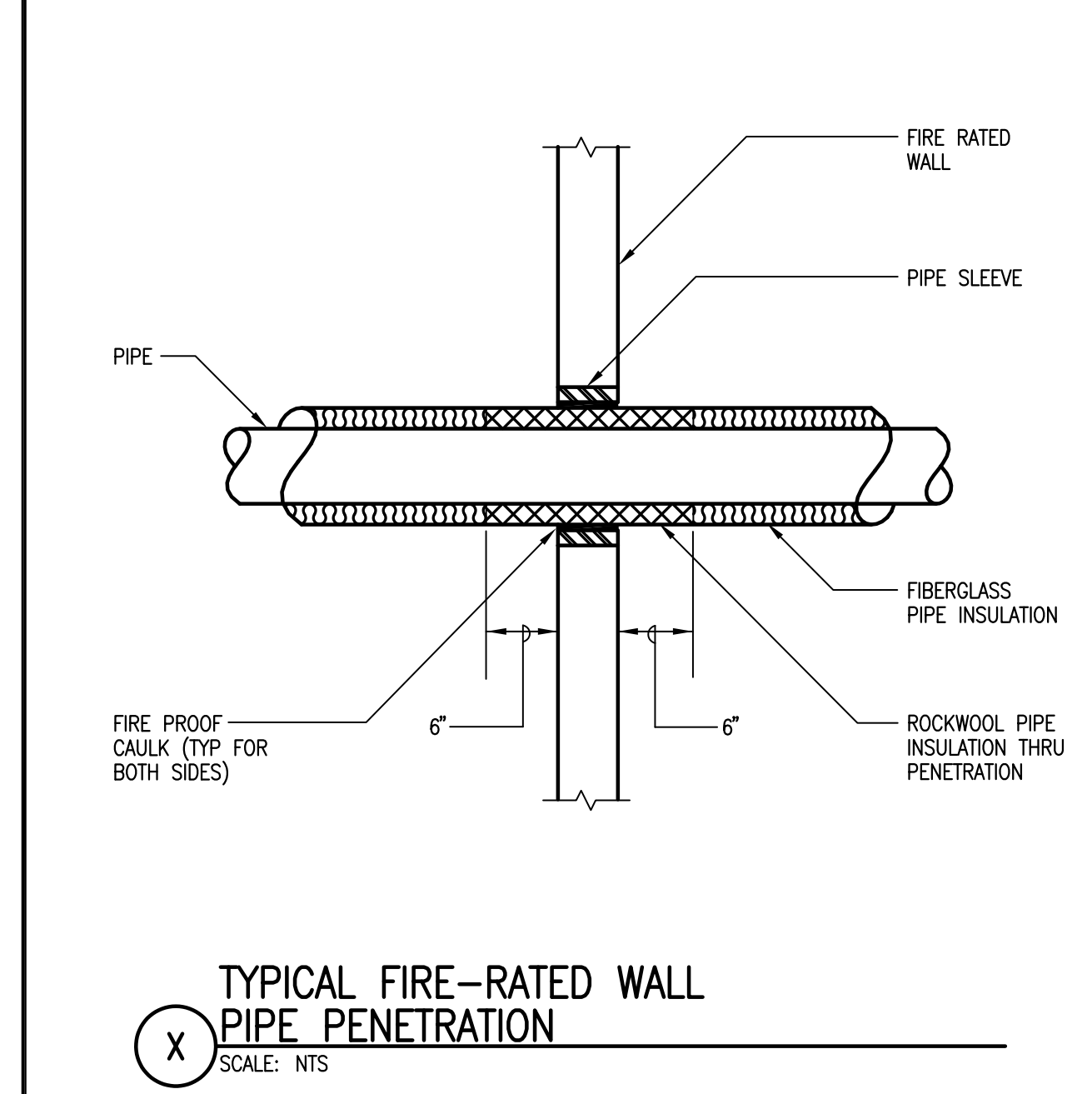
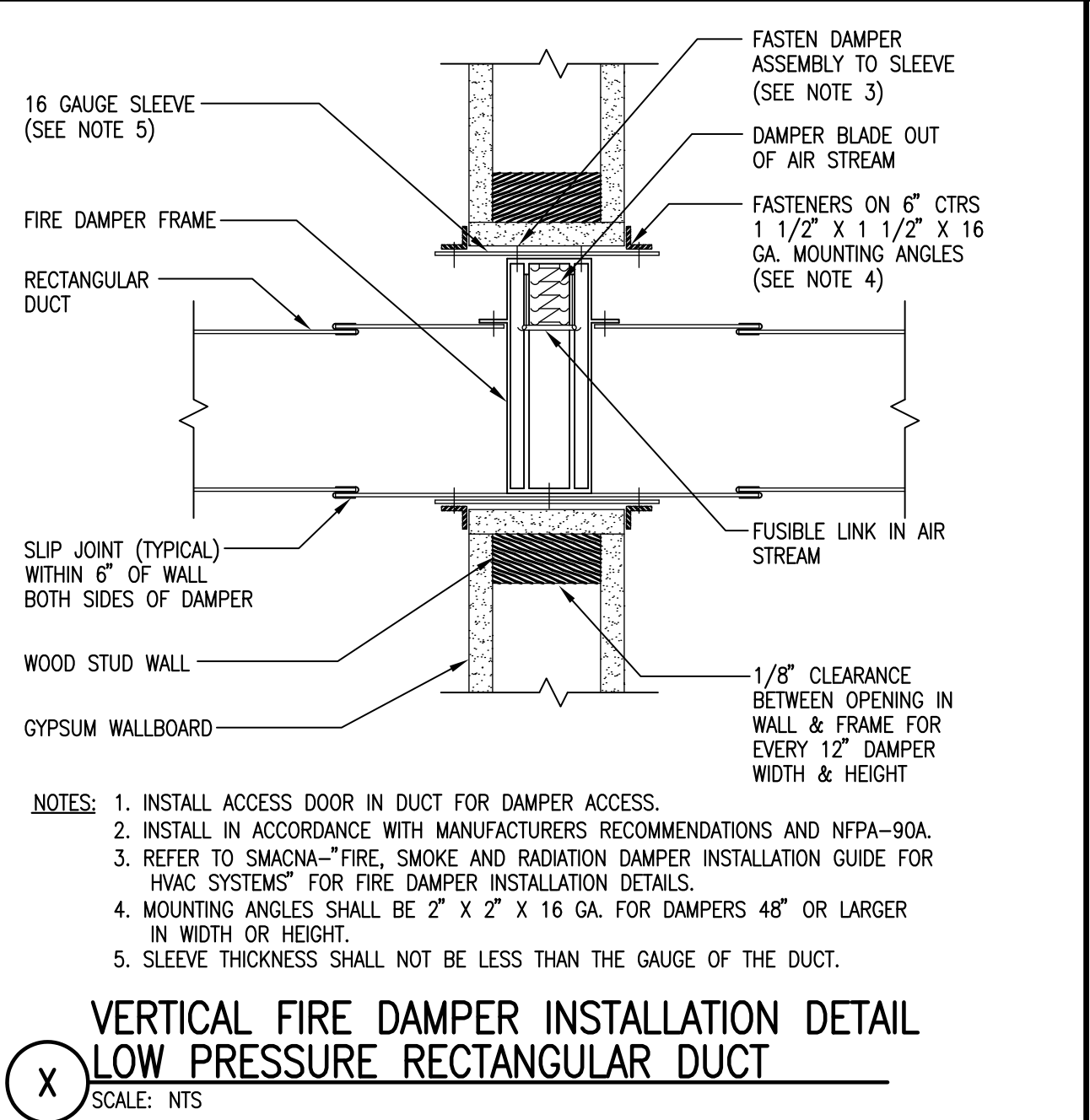
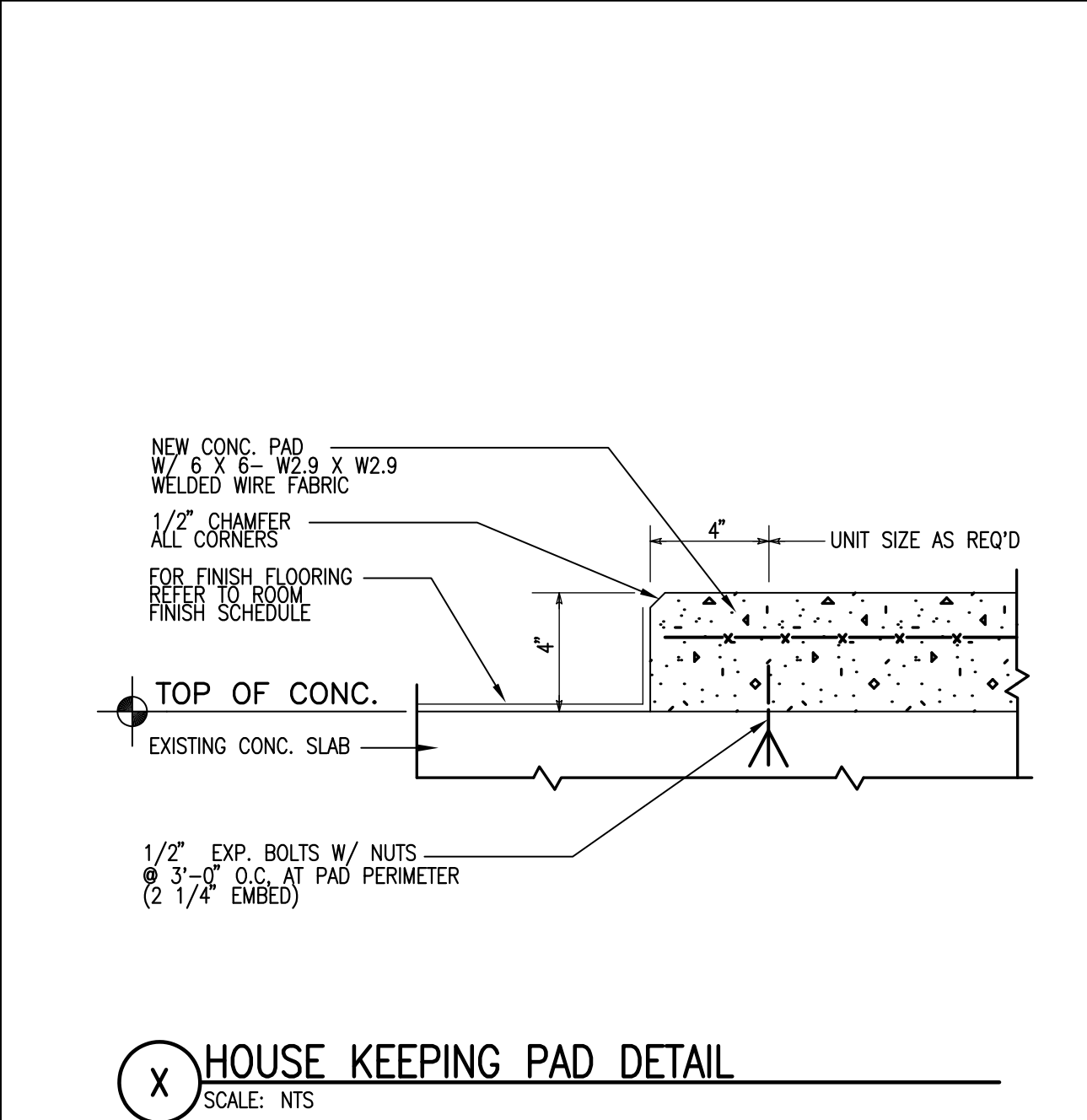
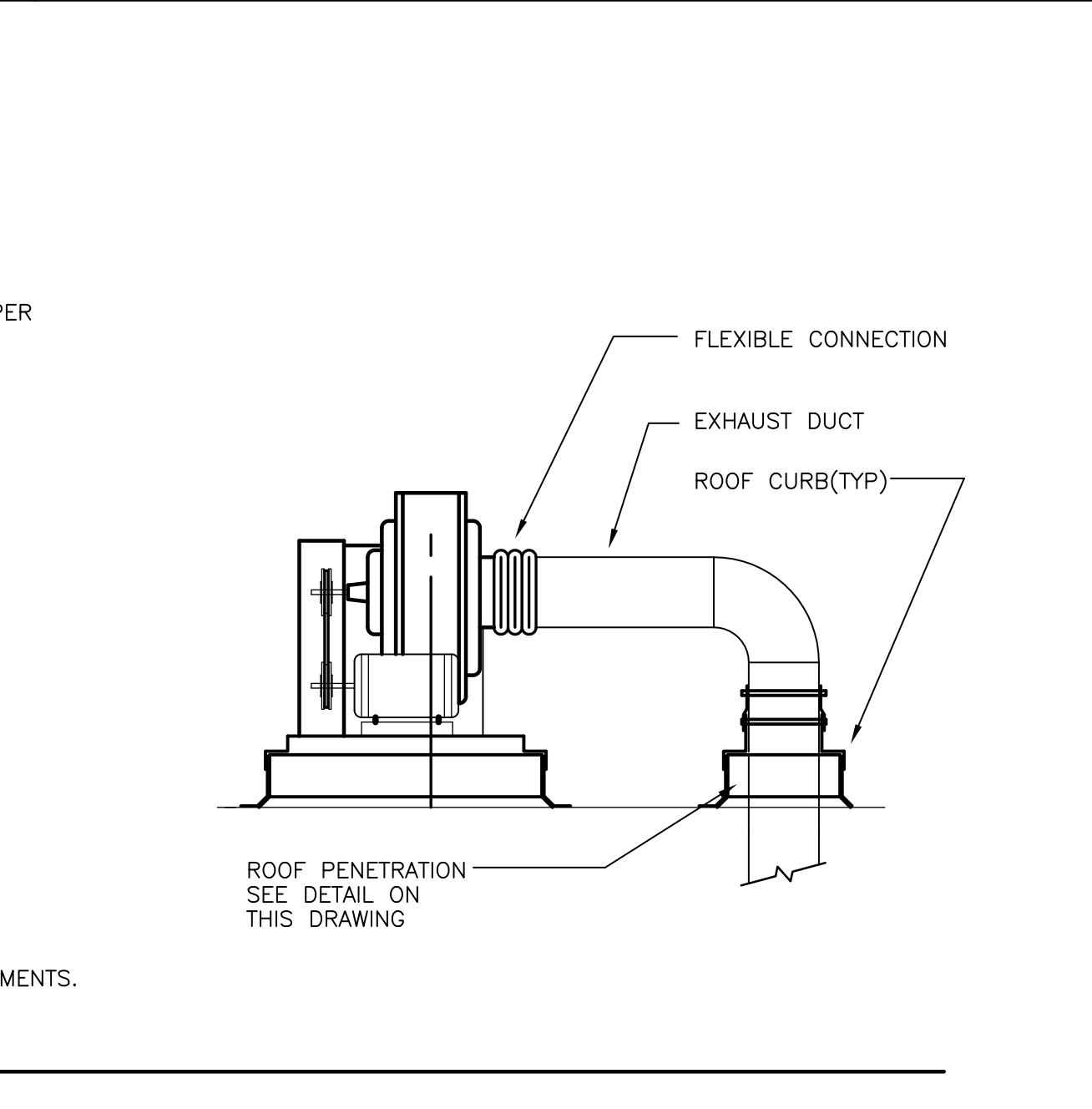
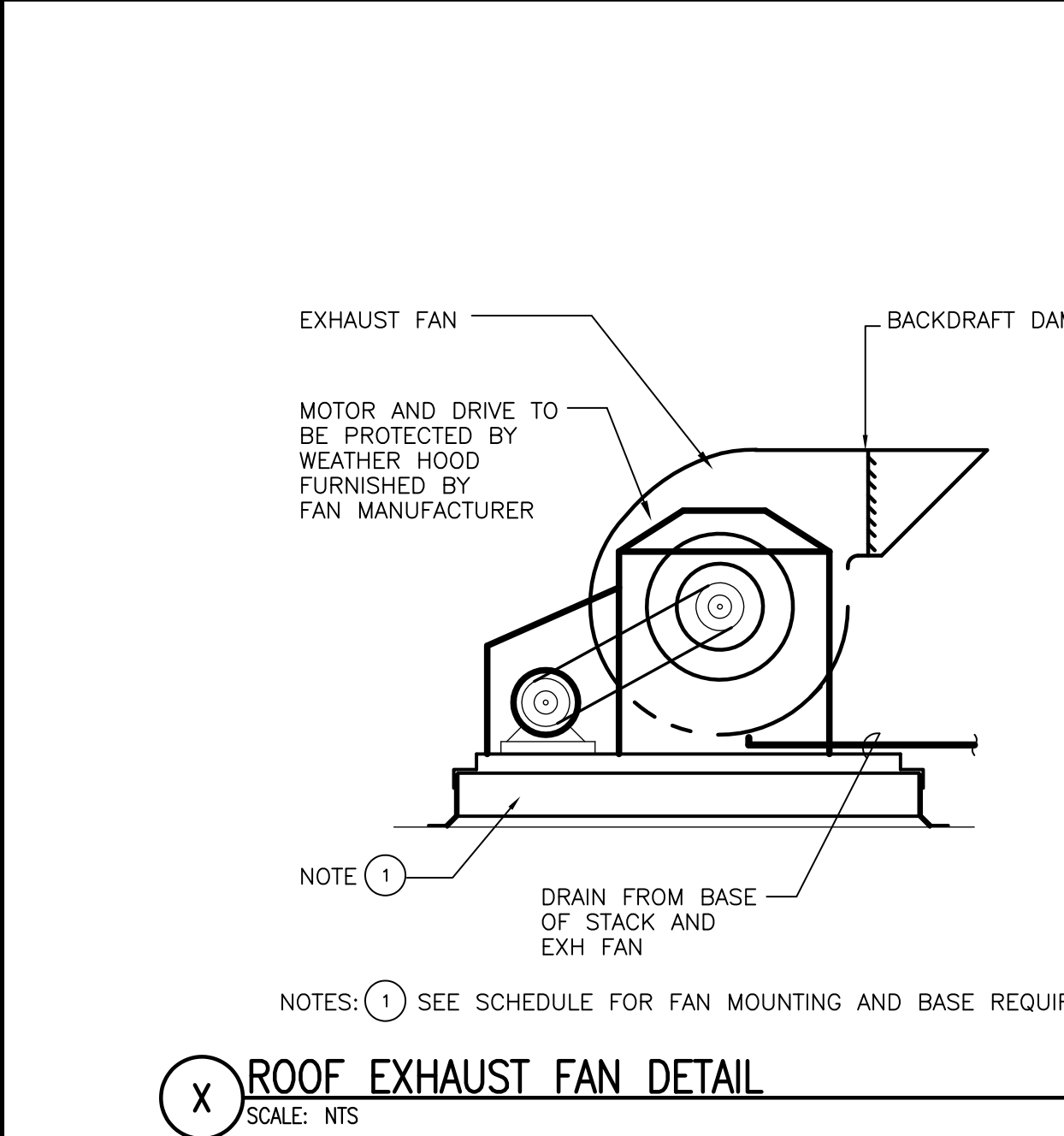
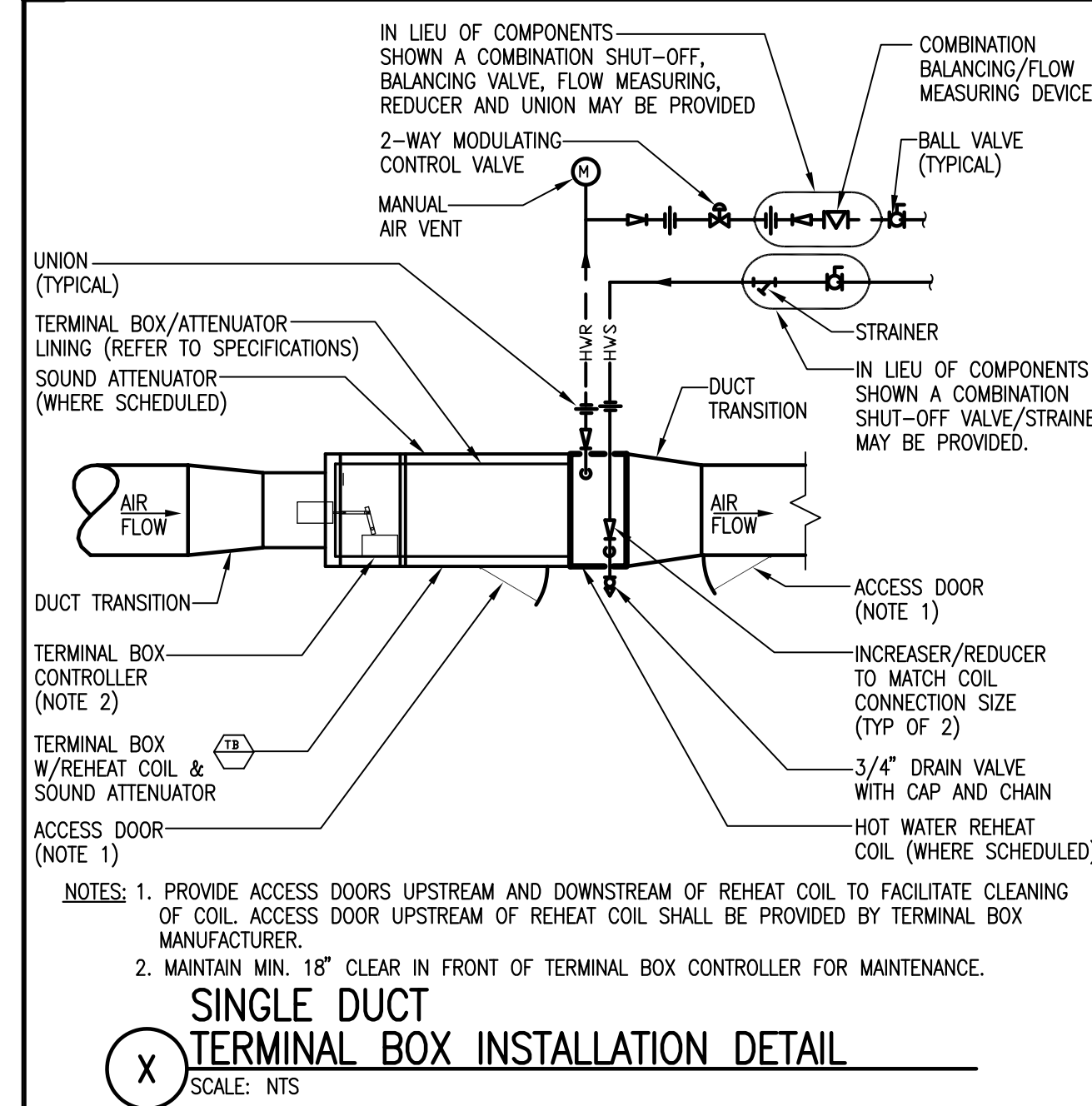


ROUND DUCT SIZE	RECTANGULAR TAKEOFF SIZE
4	4x4
5	6x4
6	8x4
7	8x6
8	10x6
9	12x6
10	14x8



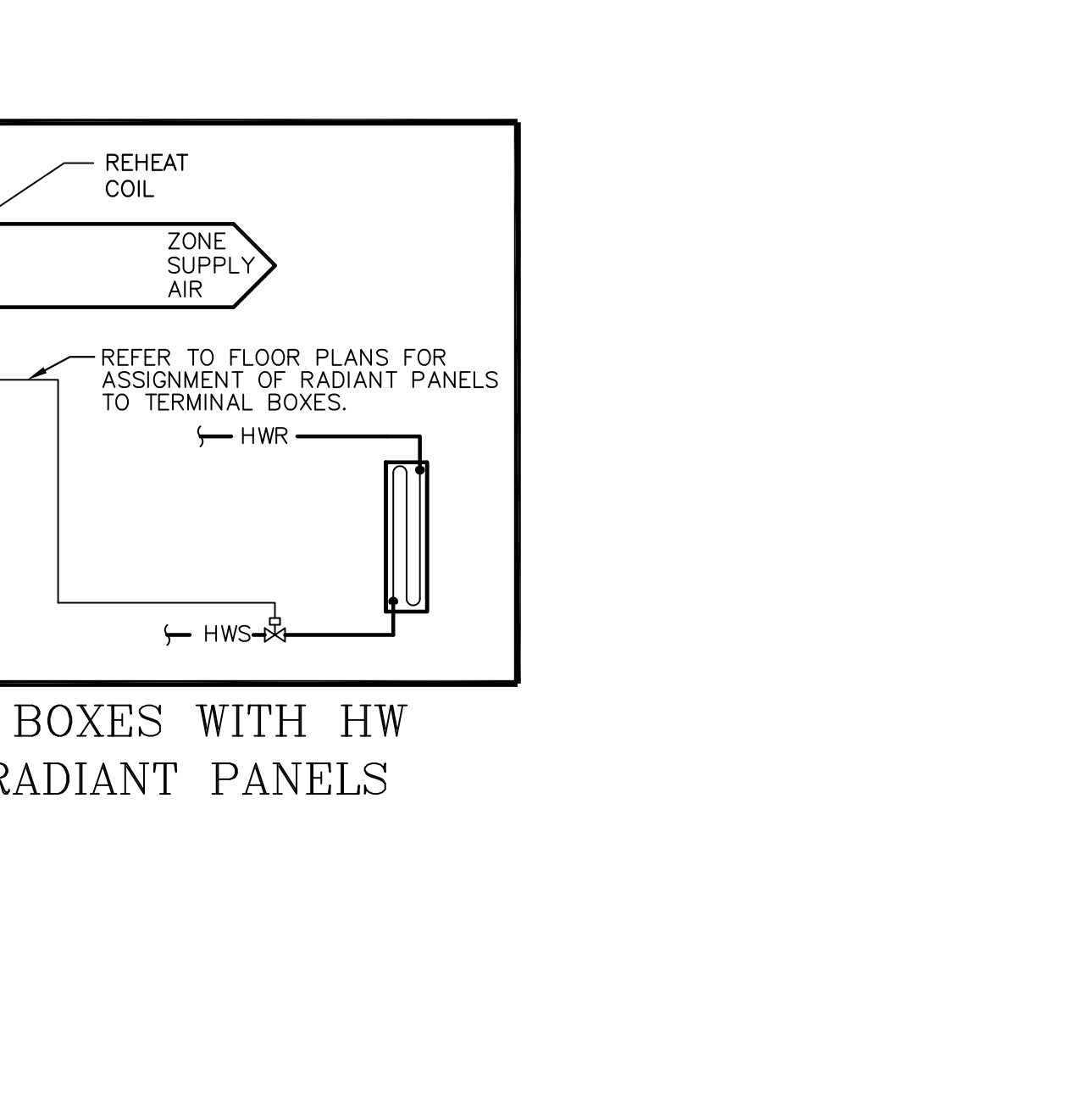
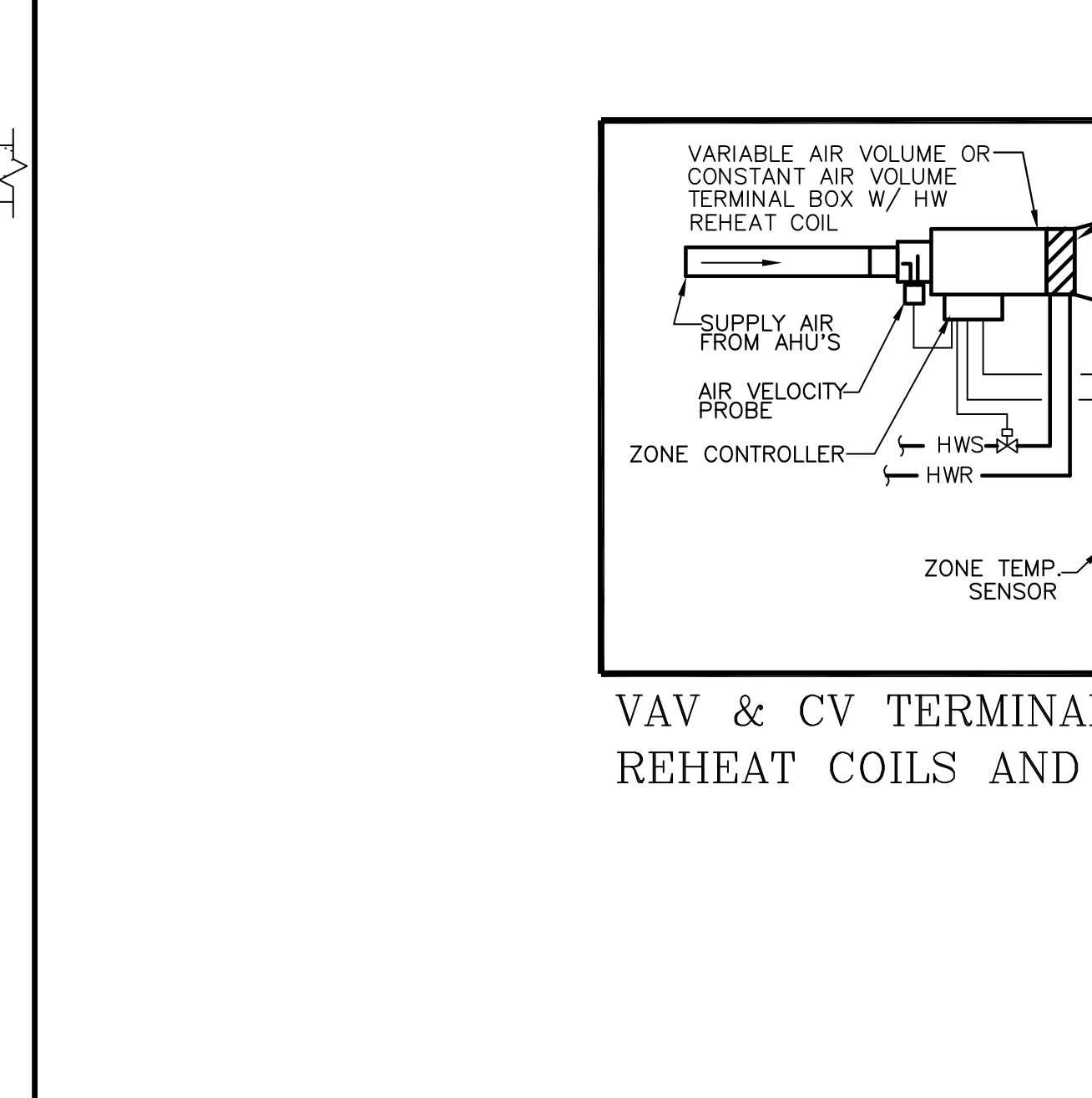
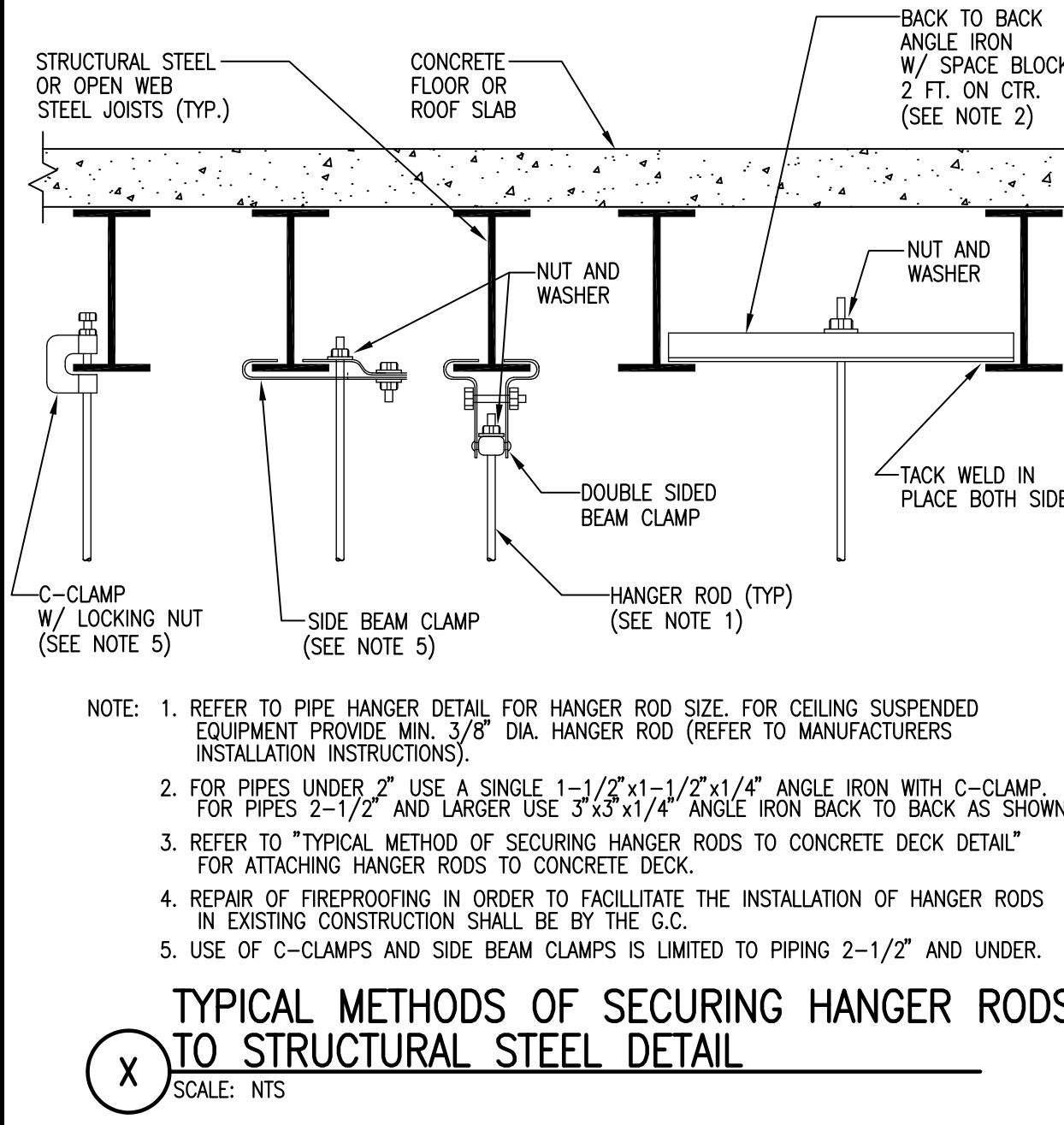
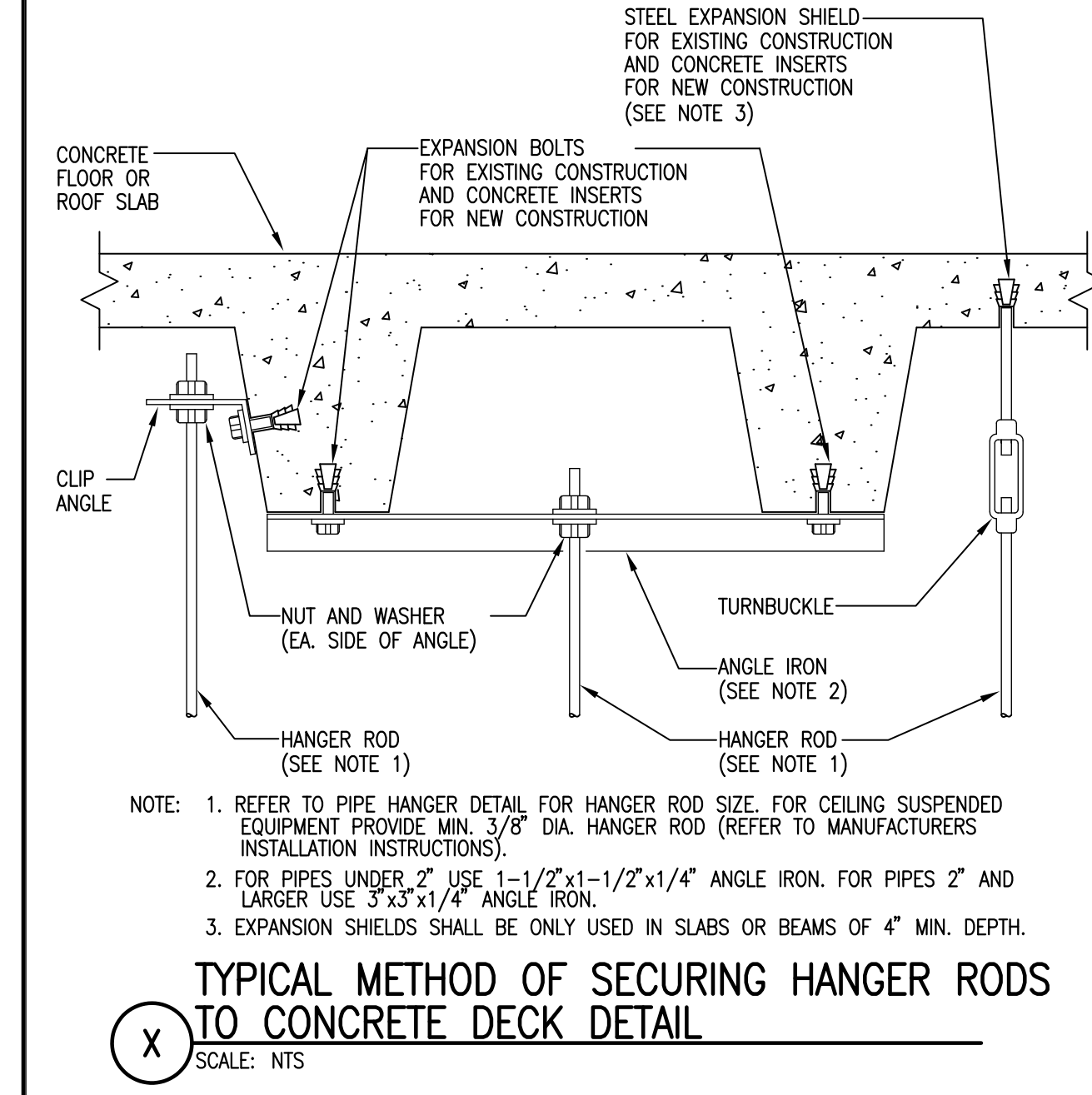
**General Notes:**

1. ALL EXPOSED METAL TO BE PRIMED & PAINTED



**NOTE:**

- OPTION A APPLIES TO EQUIPMENT HAVING TOP OR SIDE ATTACHMENT.
- OPTION B APPLIES TO EQUIPMENT SUPPORTED FROM THE BOTTOM OF THE EQUIPMENT.
- USE DOUBLE SIDED BEAM CLAMPS FOR ATTACHMENT TO STRUCTURAL STEEL OR JOISTS.
- USE CONCRETE INSERTS FOR ATTACHMENT TO CONCRETE DECK TYPE CONSTRUCTION.
- ANGLE IRON SHALL BE 2-1/2"x5"x1/4" ANGLE 2" WIDE WITH (2) 9/16" HOLES FOR FASTENING TO CONCRETE DECK.
- SIZE CABLE BASED ON SEISMIC HAZARD LEVEL SPECIFIED. PROVIDE CABLE WITH 1/2" OF SLACK WHERE CABLES ARE USED WITH VIBRATION ISOLATED EQUIPMENT.
- PROVIDE 2 ANGLES FOR BOTTOM SUPPORT OF UNIT (OPTION B). PROVIDE (4) 2" x 2" x 1/4" ANGLES WELDED TO BOTTOM SUPPORT ANGLES AND TO UNIT. (THIS IS NOT REQUIRED WHERE UNIT IS PROVIDED WITH BOTTOM MOUNTING HOLES).
- REFER TO SMACNA-"SEISMIC RESTRAINT MANUAL GUIDELINES FOR MECHANICAL SYSTEMS" FOR CABLE CONNECTION DETAIL.

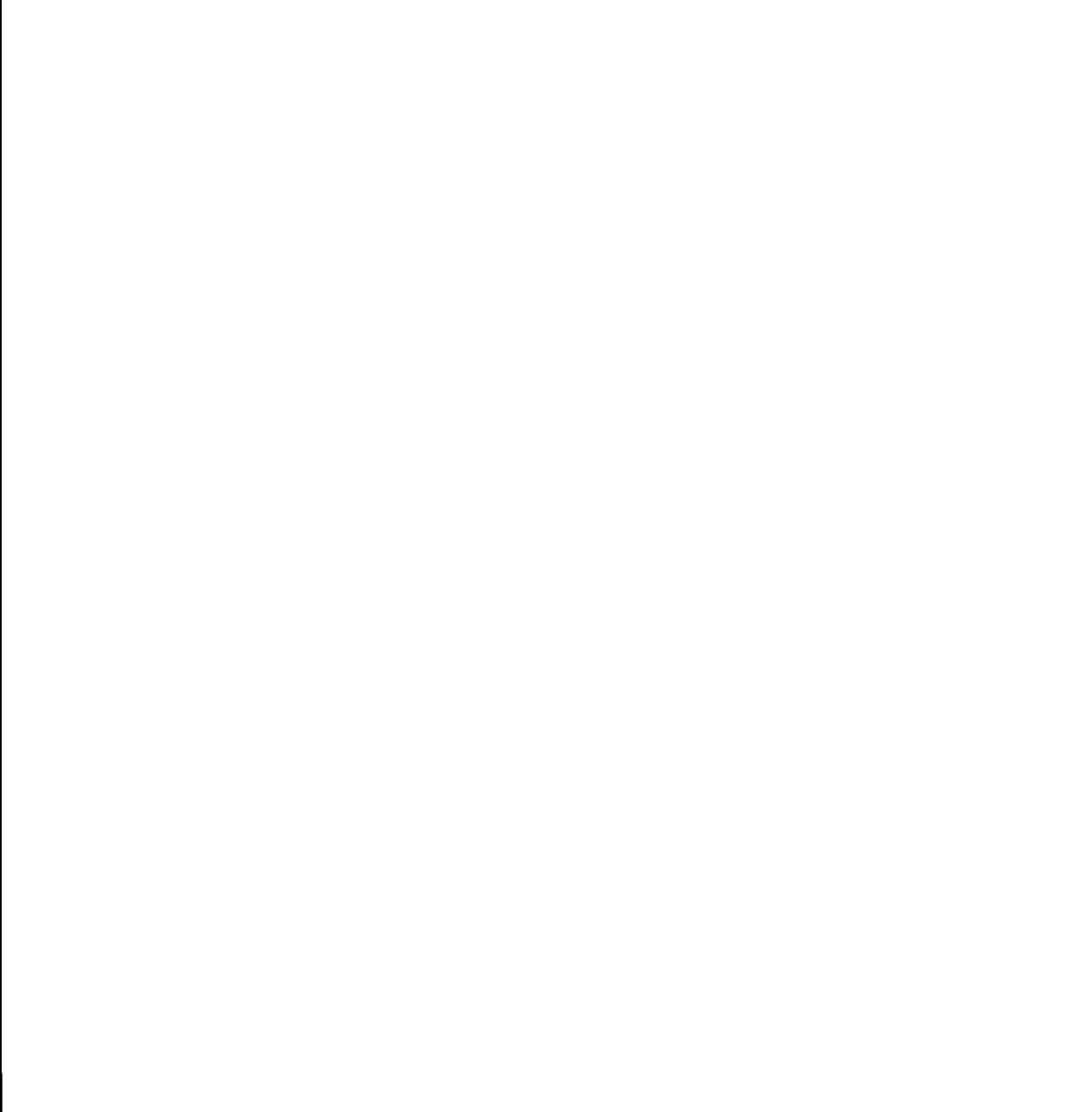
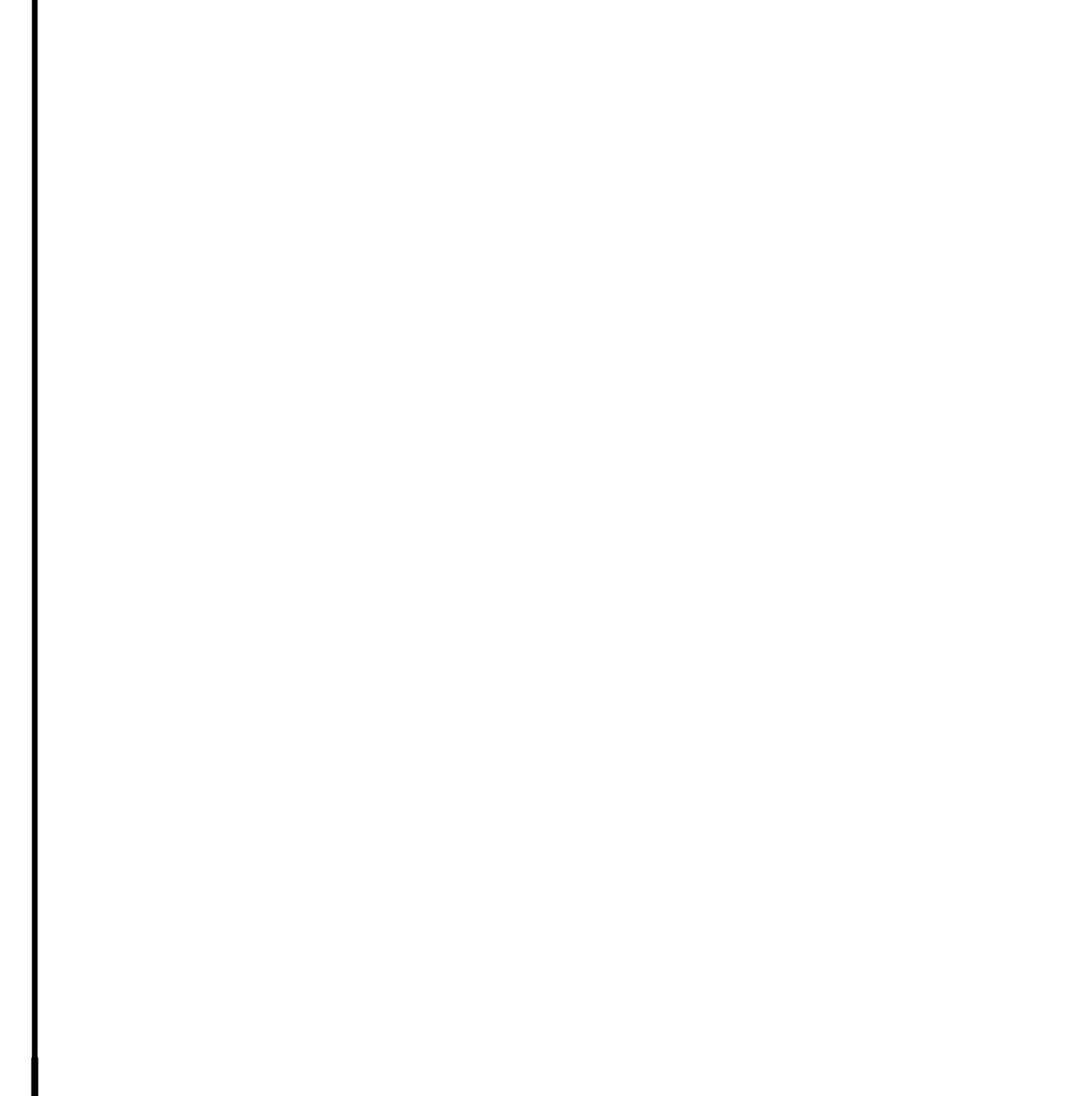
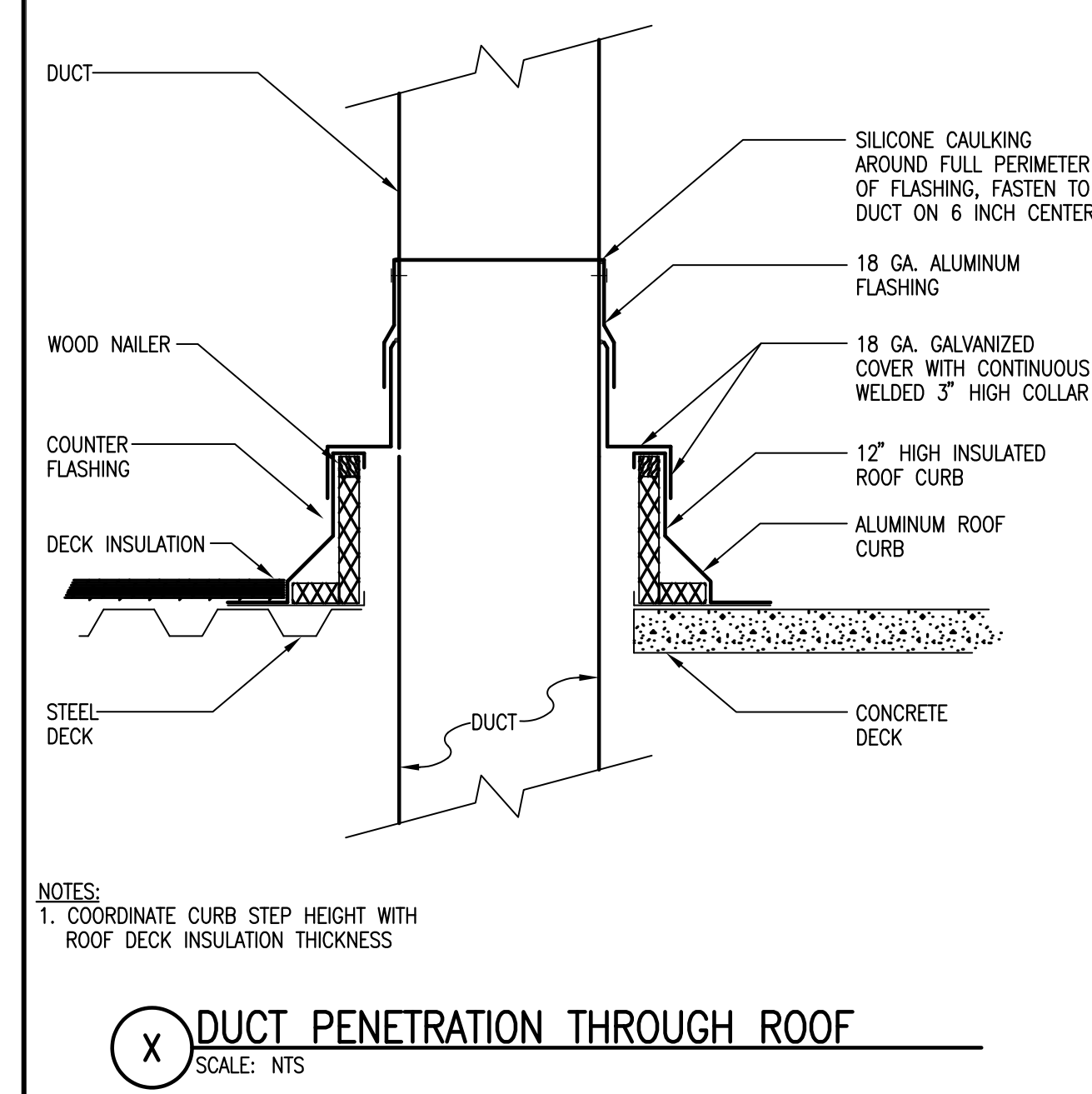


**TERMINAL BOX SCHEDULE**

ITEM	MANUFACTURER	MODEL	SIZE	TYPE	CFM	DIFF. TEMP.	AIR DATA	WATER HEATING COIL DATA	SPACE	REMARKS							
					MIN	MAX	BAT	LAT	ENT	LMT	IGPM	MIB	IROWS	P.D.	P.T.	N.C.	
TB-1	ENVIROTECH	SDR-SA	6	CV	150	150	55	85	180	140							
TB-2	ENVIROTECH	SDR-SA	6	CV	150	150	55	85	180	140							
TB-3	ENVIROTECH	SDR-SA	6	CV	180	180	55	85	180	140							
TB-4	ENVIROTECH	SDR-SA	6	CV	150	150	55	85	180	140							

**NOTE:**

- PROVIDE NON-POROUS SCRM-STITCHED REINFORCED FOIL LINER LAMINATED TO INTERNAL INSULATION FOR BOTH TERMINAL BOX AND ATTENUATOR.
- SINGLE DUCT REHEAT BOX. PROVIDE SOUND ATTENUATOR BETWEEN TERMINAL BOX AND HOT WATER REHEAT COIL.
- PROVIDE HINGED AND LATCHED ACCESS DOOR IN ATTENUATOR SECTION FOR ACCESS TO REHEAT COIL.
- DDC CONTROLS PROVIDED AND MOUNTED BY CONTROLS MANUFACTURER(HONEYWELL) TO MATCH EXISTING CONTROLLERS IN THE AREA.
- PROVIDE CONNECTION TO THE AREA DASHY CHAIN FOR THE NEW TERMINAL BOXES AND PROGRAMMING SOFTWARE FOR THE NEW BOXES.
- AIR PRESSURE DROP NOT TO EXCEED 0.3 IN. W.C.



**FAN SCHEDULE**

ITEM	MANUFACTURER	MODEL	TYPE	LOCATION	CFM	S.P.	IN.	W.G.	FAN RPM	HP	V	PH	RPM	DRIVE TYPE	NC	REMARKS
EF-1	COOK	150CPFB	CENTR.	E.R. ROOF	3055	1			751	5	460	3	1750	BELT		

**NOTE:**

- SW5, FC, THD, ARRANGEMENT 10, CENTRIFUGAL FAN WITH CW ROTATION.
- FAN SELECTION PROVIDED WITH FUTURE SURPLUS CAPACITY(4000 CFM AT 1.7")
- PROVIDE CONCRETE HOUSEKEEPING PAD. COVER AND FLASH INTO EXISTING ROOF WITH SAME TYPE OF ROOFING MEMBRANE.
- PROVIDE FAN WITH STRUCTURAL MOUNTING RAILS AND SPRING ISOLATORS.
- PROVIDE FAN WITH WEATHER COVER, AND BACKDRAFT DAMPER AT DISCHARGE.
- PROVIDE FLEXIBLE CONNECTORS FOR DUCT AND POWER FEEDS.

**Issue Log**

MARK	ISSUE DATE	DESCRIPTION

**Key Plan**

**TRO**  
ARCHITECTURAL  
PLANNING  
ENGINEERING  
INTERIOR DESIGN

The Filiberto Organization  
80 Bridge Street  
Newton, MA 02459-1104  
617-552-0100

**Maine Medical Center**  
ED Pediatric Exam Renovation  
Portland, Maine

**Drawing Title**  
HVAC TYPICAL DETAILS,  
SCHEMATIC AND  
SCHEDULES

Commission No. 4684 Date Issued JUNE 22, 2004  
Scale NTS Sheet Number  
Drawn By JN  
Approved By CW  
Flanomeno 4684600

**H600**